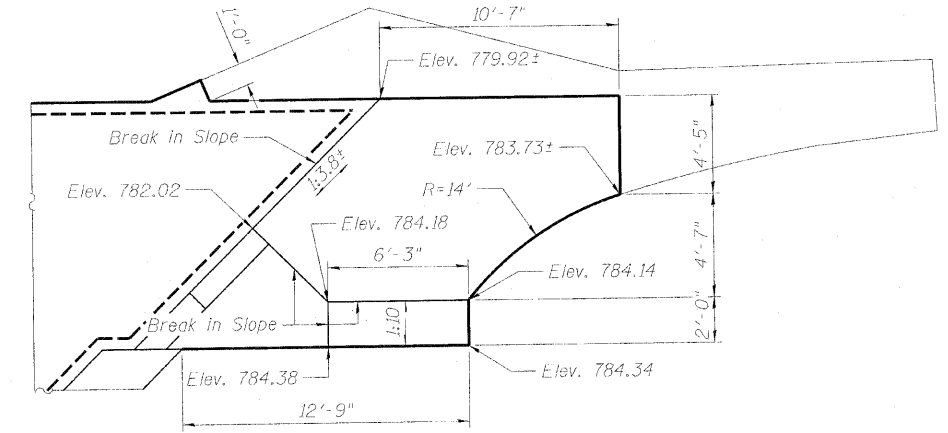
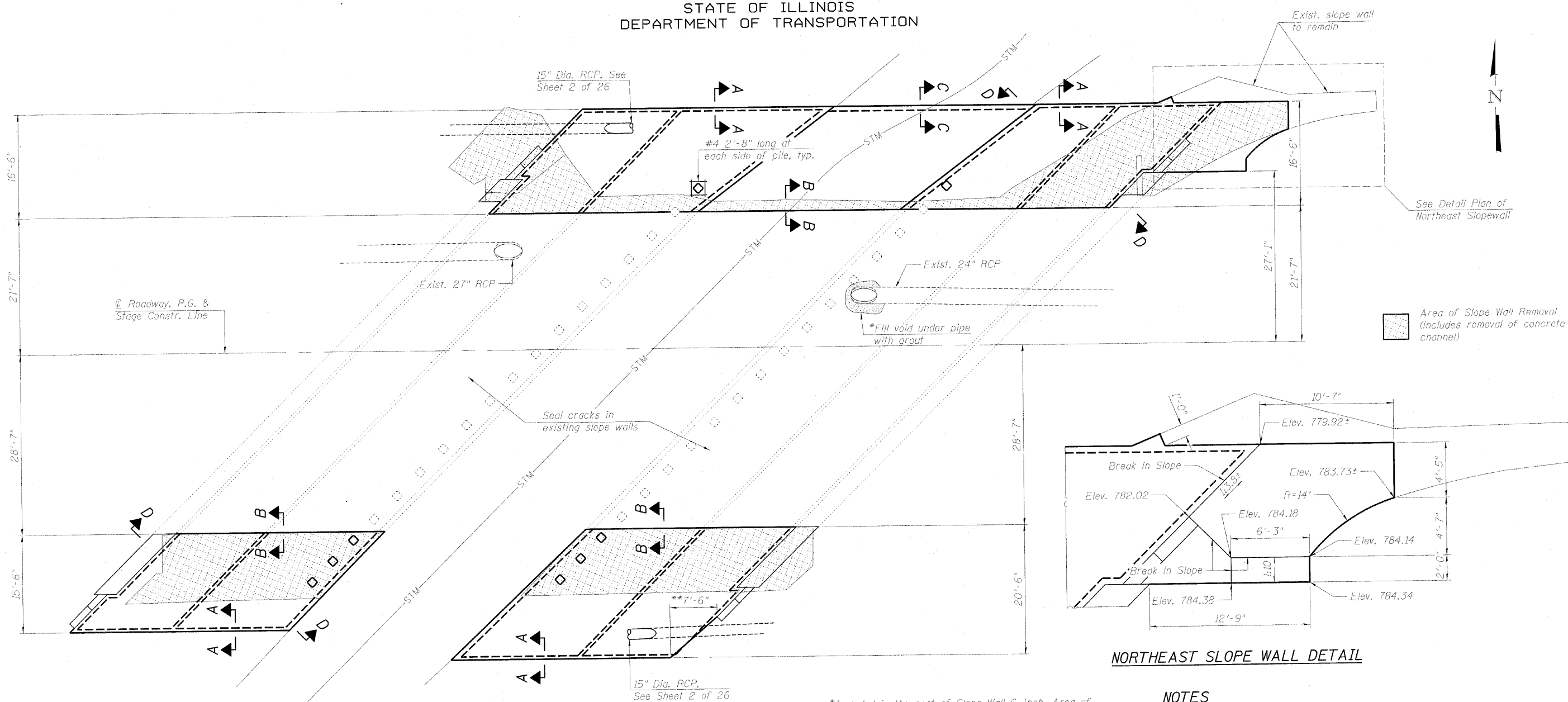


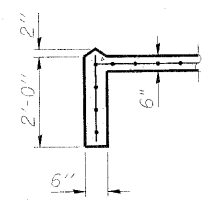
STATE OF ILLINOIS
DEPARTMENT OF TRANSPORTATION



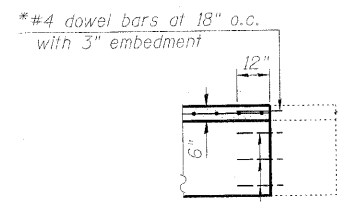
NORTHEAST SLOPE WALL DETAIL

PLAN

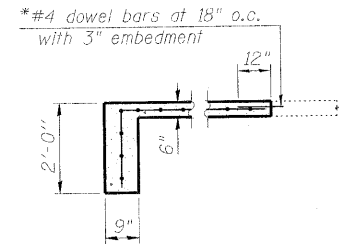
**Adjust dimension as necessary to keep slope wall within right-of-way.
*Included in the cost of Slope Wall 6 Inch. Area of concrete channel shall be included in pay item quantity.



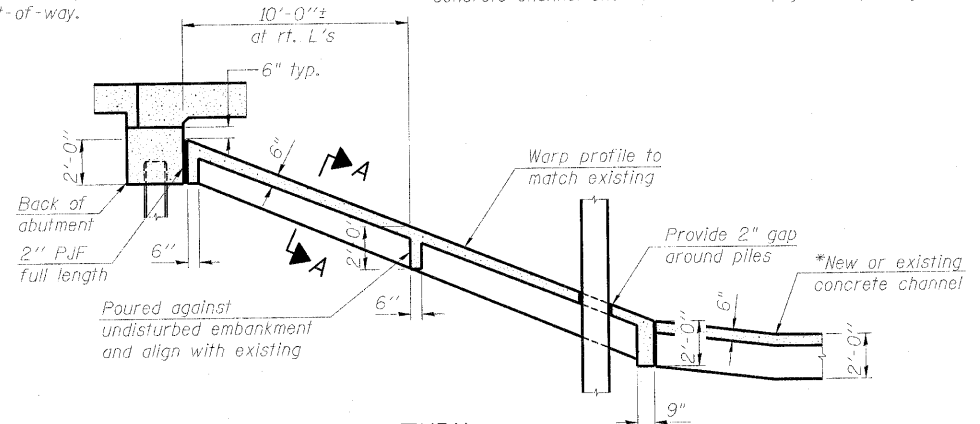
SECTION A-A



SECTION B-B



SECTION C-C AT CONCRETE CHANNEL



SECTION D-D THRU CONCRETE SLOPEWALL

NOTES

1. Layout of slope protection system and concrete channel may be varied to suit ground conditions in the field as directed by the Engineer.
2. Slope wall and concrete channel shall be reinforced with welded wire fabric, 6" x 6" - W4.0 x W4.0, weighing 58 lbs. per 100 sq. ft.
3. New concrete channel shall be shaped to match profile of existing concrete channel.
4. Extents of Slope Wall Crack Sealing shall be as directed by the Engineer to suit conditions at time of construction.

**SLOPE WALL &
CHANNEL IMPROVEMENTS
STRUCTURE NO. 057-7800**

DESIGNED	SMM
CHECKED	MAES
DRAWN	SMM
CHECKED	MAES

SHEET NO. 3 26 SHEETS	F.A.U. RTE. 6354	SECTION 06-002300-00-BR	COUNTY MCLEAN	TOTAL SHEETS 64	SHEET NO. 32
	SN 057-7800		CONTRACT NO. 91430		
FED. ROAD DIST. NO. 5 ILLINOIS FED. AID PROJECT					