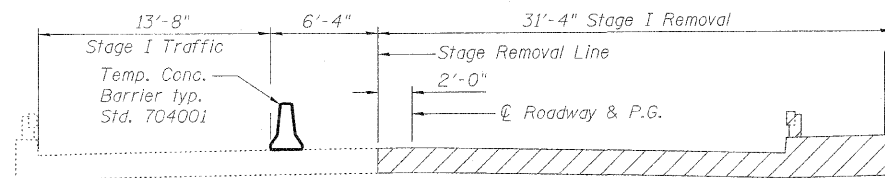
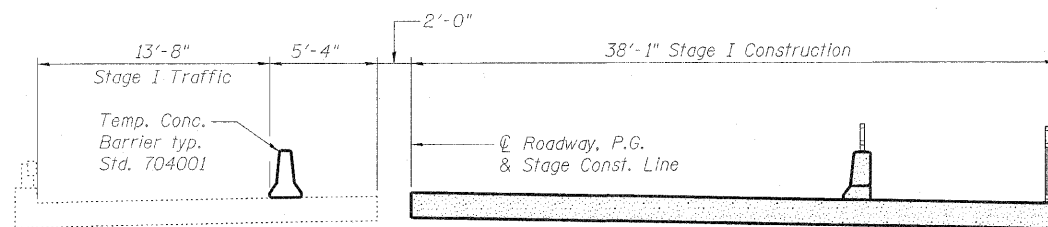


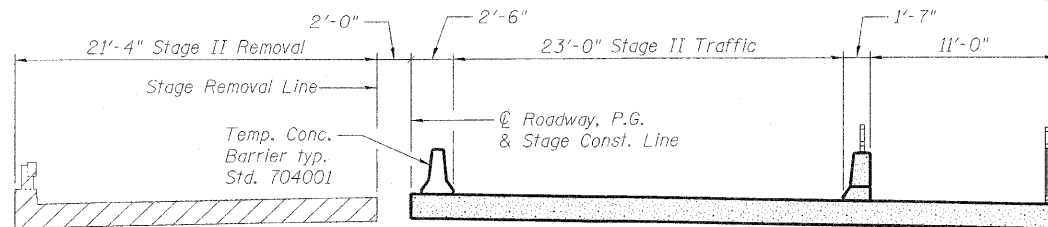
STATE OF ILLINOIS
DEPARTMENT OF TRANSPORTATION



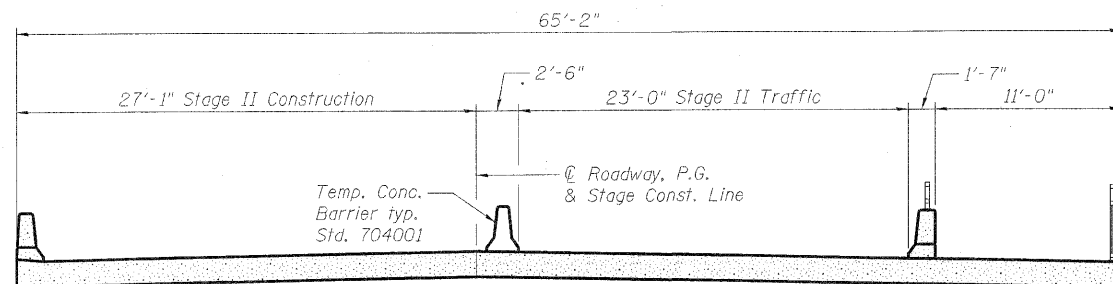
STAGE I REMOVAL
(Looking East)



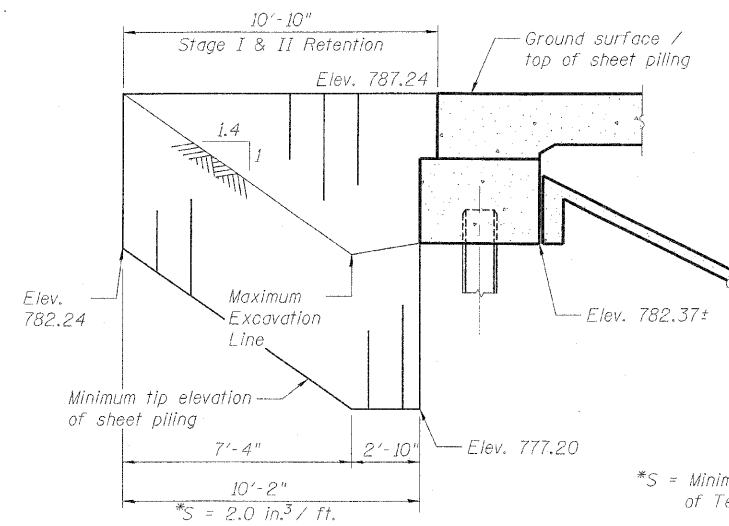
STAGE I CONSTRUCTION
(Looking East)



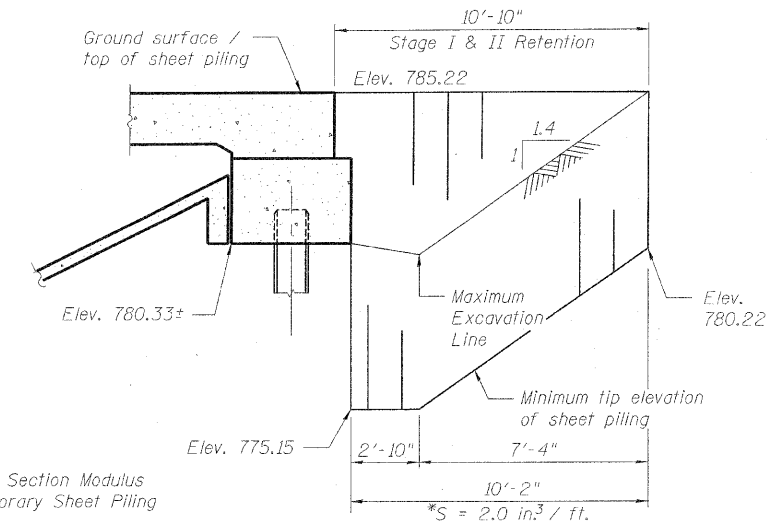
STAGE II REMOVAL
(Looking East)



STAGE II CONSTRUCTION
(Looking East)



WEST ABUTMENT



EAST ABUTMENT

TEMPORARY SHEET PILING
(Looking North)

Notes:
If the Contractor chooses to alter the temporary cantilevered sheet piling design requirements shown on the plans, a design submittal including plan details and calculations will be required for review and acceptance by the Engineer.
All dimensions are along Roadway unless otherwise noted.

Notes:
Hatched area indicates removal of existing structures. Removal of existing bridge railing and bituminous wearing surface is included in Removal of Existing Structures.
Existing piers shall be removed in stages along the Stage Removal Line. The existing abutments shall be removed in stages along a line offset 1'-3" to the southeast of the Stage Removal Line. Portions of existing substructure not interfering with new construction shall be removed per Standard Specifications.
For Quantities of Temporary Concrete Barrier see Roadway Plans. See Sheet 23 of 26 for Temporary Concrete Barrier Details.

STAGE CONSTRUCTION DETAILS
STRUCTURE NO. 057-7800

DESIGNED	SMM
CHECKED	MAES
DRAWN	SMM
CHECKED	MAES

SHEET NO. 4	F.A.U. RTE.	SECTION	COUNTY	TOTAL SHEETS	SHEET NO.
	6354	06-002300-00-BR	MCLEAN	64	33
26 SHEETS	SN 057-7800		CONTRACT NO. 91430		
	FED. ROAD DIST. NO. 5 ILLINOIS FED. AID PROJECT				