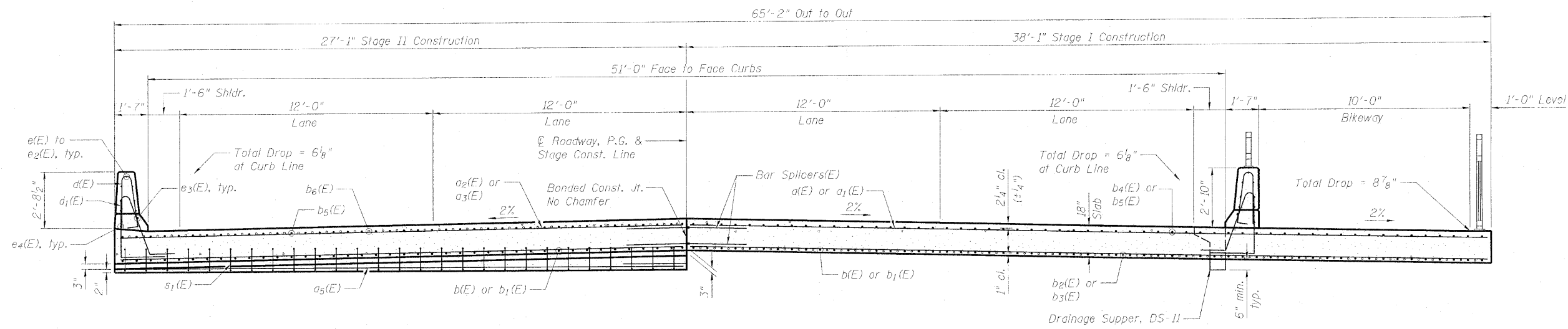


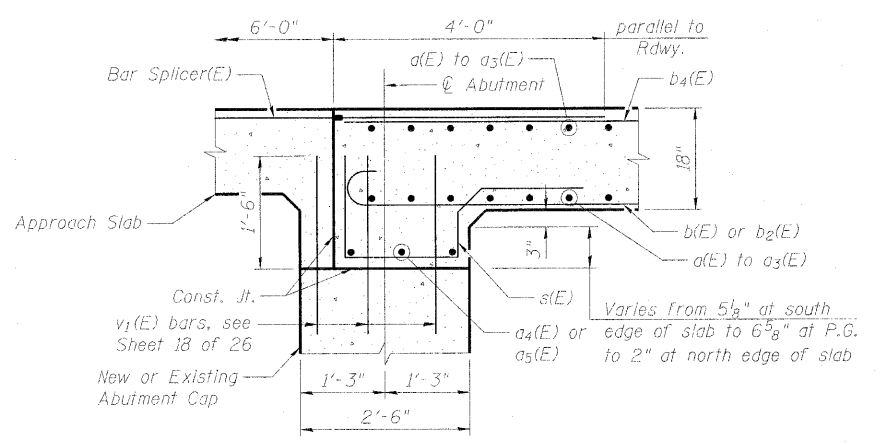
STATE OF ILLINOIS
DEPARTMENT OF TRANSPORTATION



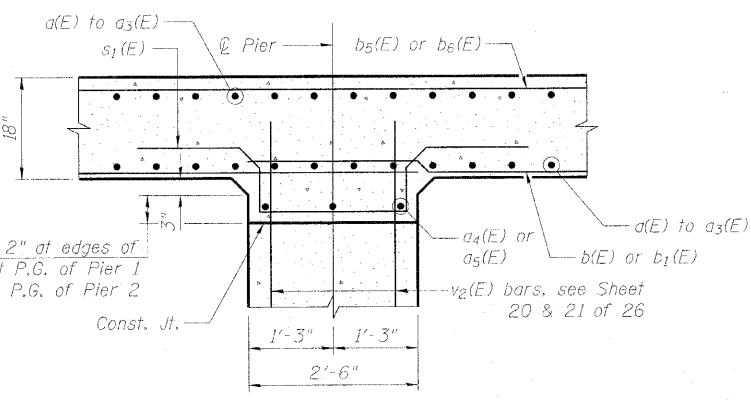
SECTION NEAR PIER

CROSS SECTION
(Looking East)

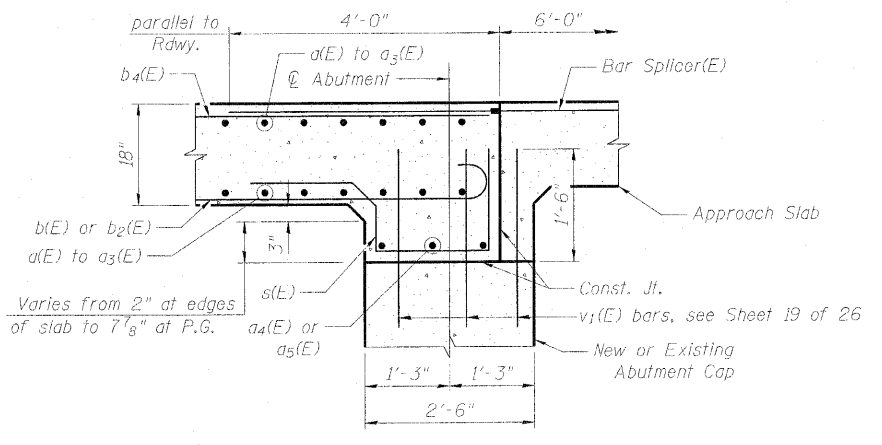
SECTION NEAR MIDSPAN



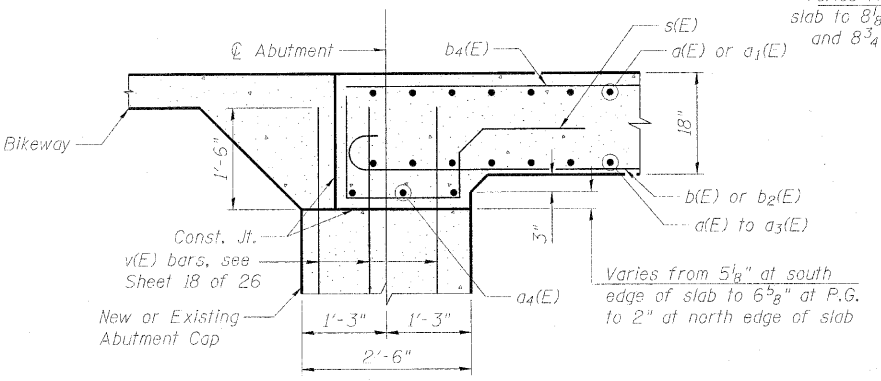
SECTION B-B



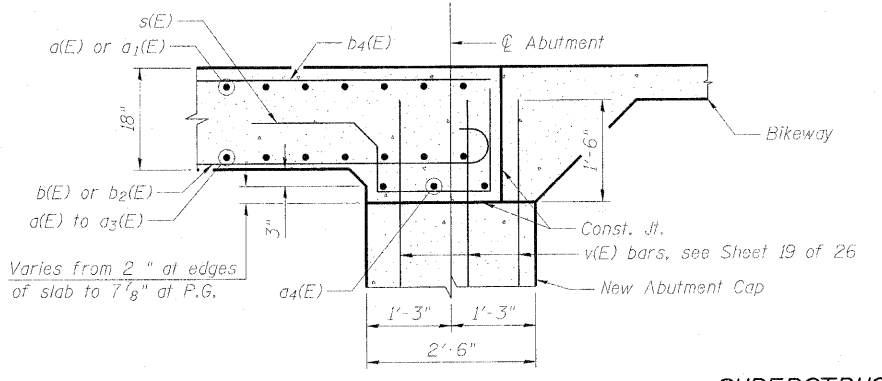
SECTION C-C



SECTION D-D



SECTION A-A



SECTION E-E

SUPERSTRUCTURE CROSS SECTIONS
STRUCTURE NO. 057-7800

DESIGNED	SMM
CHECKED	MAES
DRAWN	SMM
CHECKED	MAES

SHEET NO. 9 26 SHEETS	F.A.U. RTE. 6354	SECTION 06-002300-00-BR	COUNTY MCLEAN	TOTAL SHEETS 64	SHEET NO. 38
	SN 057-7800		CONTRACT NO. 91430		
FED. ROAD DIST. NO. 5 ILLINOIS FED. AID PROJECT					