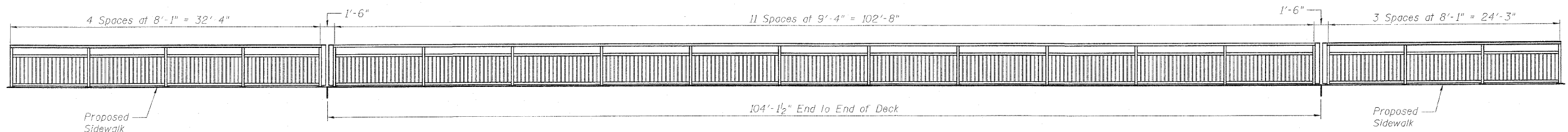
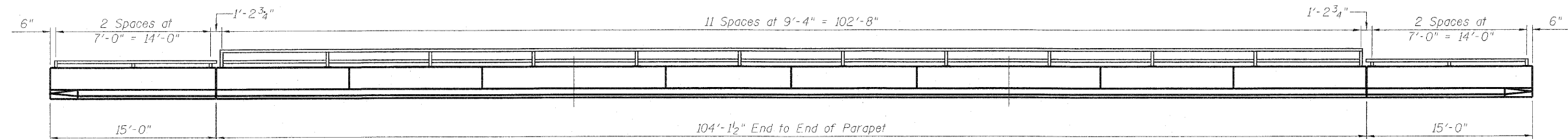


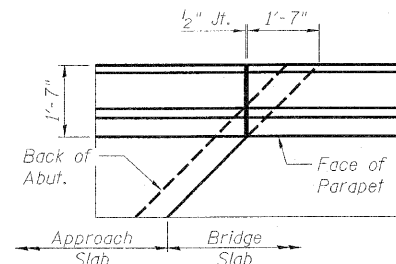
STATE OF ILLINOIS
DEPARTMENT OF TRANSPORTATION



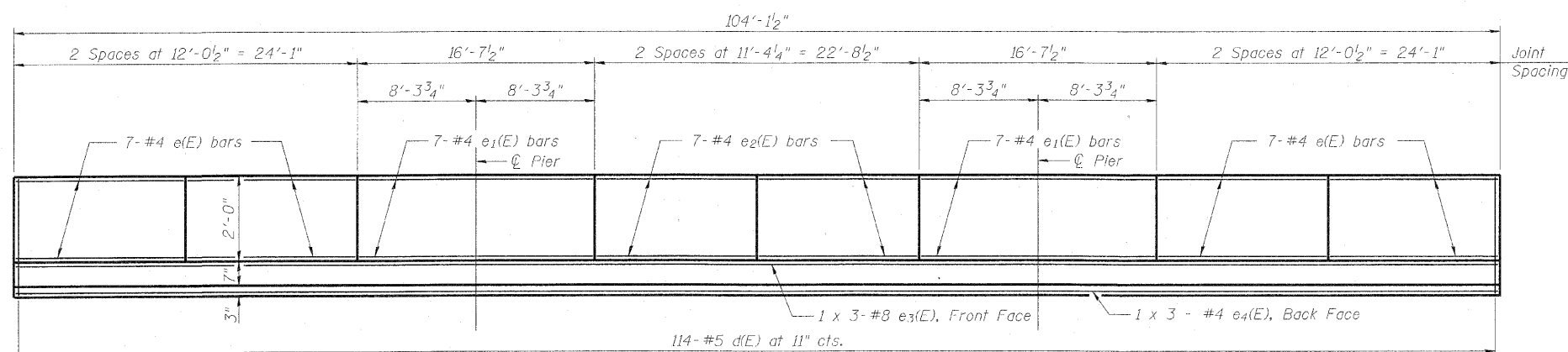
BICYCLE RAILING POST SPACING
(Looking North)



PARAPET RAILING POST SPACING
(Looking North)

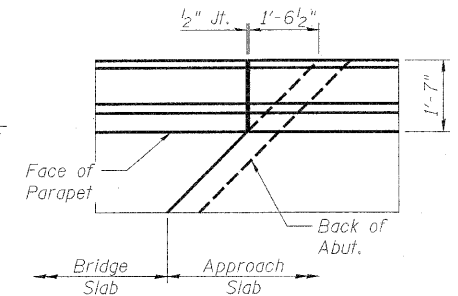


DETAIL A

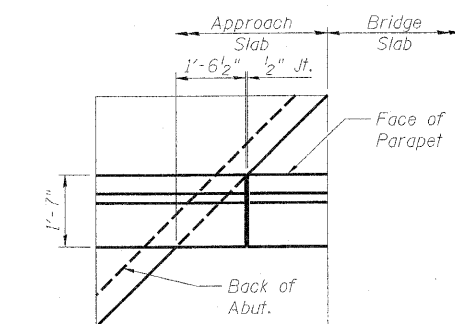


INSIDE ELEVATION OF PARAPET

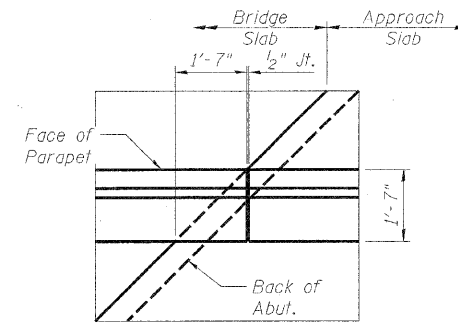
BAR LAP	
#4	2'-7"
#8	6'-9"



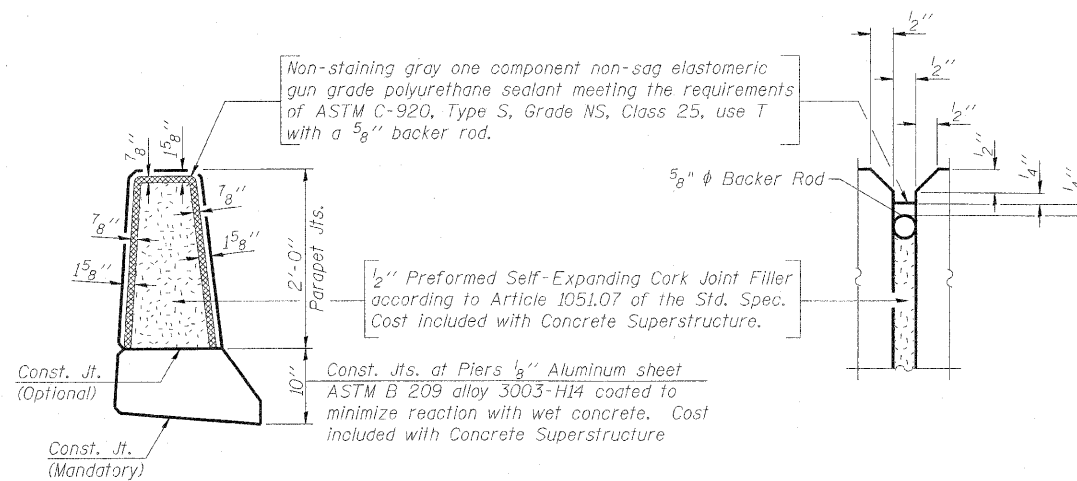
DETAIL B



DETAIL C



DETAIL D



PARAPET JOINT DETAILS

SUPERSTRUCTURE DETAILS
STRUCTURE NO. 057-7800

DESIGNED	SMM
CHECKED	MAES
DRAWN	SMM
CHECKED	MAES

SHEET NO.10 26 SHEETS	F.A.U. RTE.	SECTION	COUNTY	TOTAL SHEETS	SHEET NO.
	6354	06-002300-00-BR	MCLEAN	64	39
SN 057-7800			CONTRACT NO. 91430		
FED. ROAD DIST. NO. 5 ILLINOIS FED. AID PROJECT					