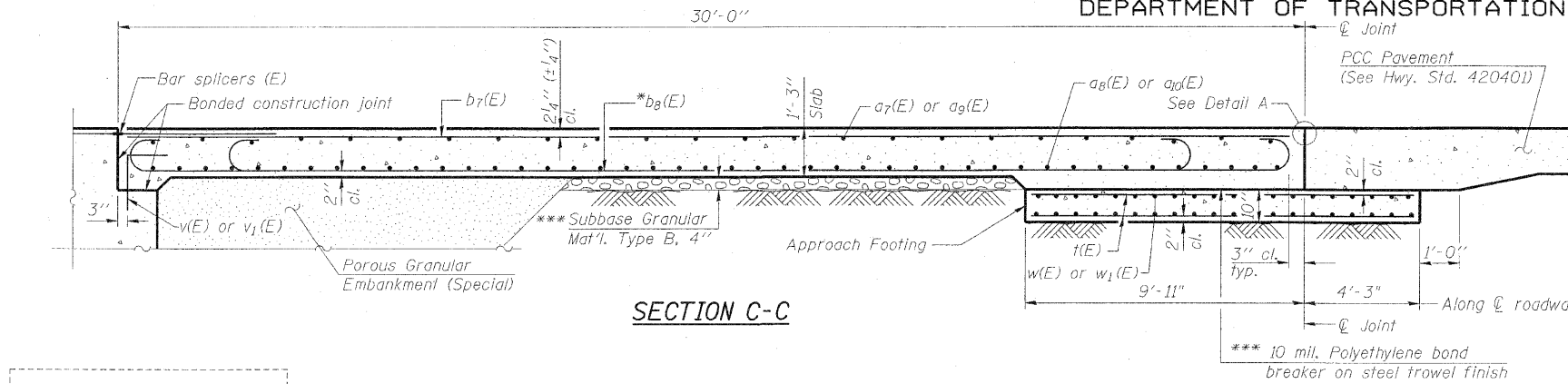


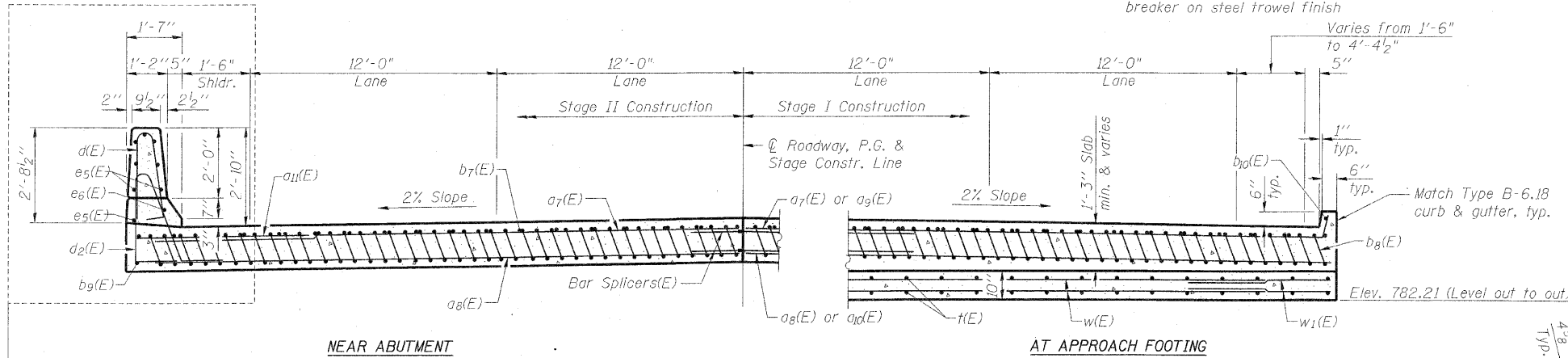
STATE OF ILLINOIS
DEPARTMENT OF TRANSPORTATION

Notes:
Approach slab and parapet concrete shall be paid for as Concrete Superstructure.
Approach footing concrete shall be paid for as Concrete Structures.
Reinforcement shall be paid for as Reinforcement Bars, Epoxy Coated.
For v(E) or v₁(E) bar details, see sheet 19 of 26.
The approach footing maximum applied service bearing pressure (Omax) = 2.0 ksf.
For bar splicer details, see sheet 24 of 26.
Cost of excavation for approach footing included with Concrete Structures.
For Porous Granular Embankment (Special) and drainage treatment details, see sheet 2 of 26.
For additional parapet details, see sheet 10 of 26.



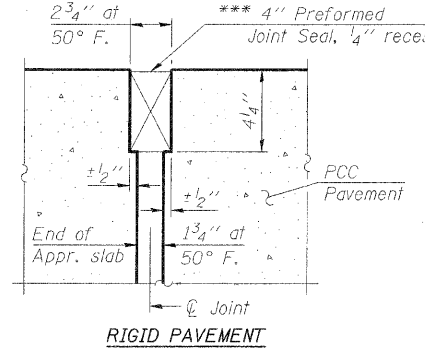
SECTION C-C

* Tilt #9 b₈(E) bars as required to maintain clearance.
*** Cost included with Concrete Superstructure.



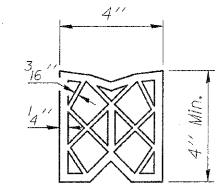
SECTION D-D

(See Plan for dimensions not shown)



RIGID PAVEMENT

DETAIL A



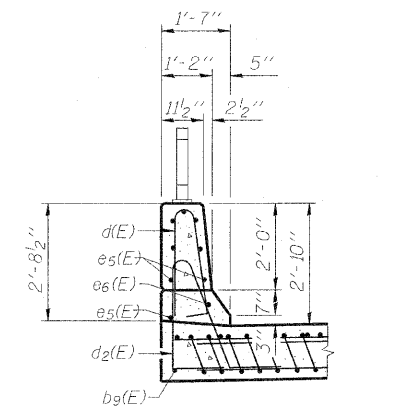
PREFORMED JOINT SEAL

TWO APPROACHES
BILL OF MATERIAL

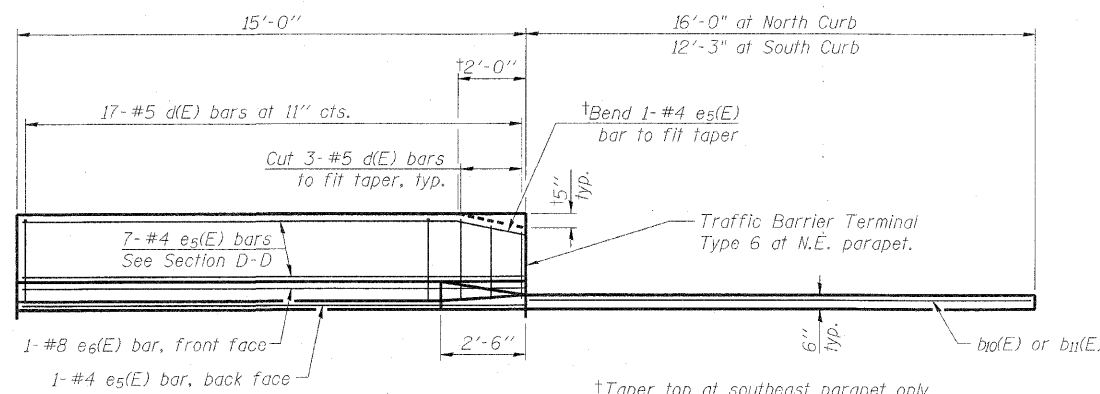
Bar	No.	Size	Length	Shape	
a ₇ (E)	41	#4	37'-1"	—	
a ₈ (E)	75	#5	37'-0"	—	
a ₉ (E)	9	#4	40'-5"	—	
a ₁₀ (E)	17	#5	40'-4"	—	
a ₁₁ (E)	24	#6	6'-6"	—	
b ₇ (E)	54	#4	29'-8"	—	
b ₈ (E)	126	#9	29'-9"	—	
b ₉ (E)	2	#4	14'-8"	—	
b ₁₀ (E)	2	#4	15'-8"	—	
b ₁₁ (E)	1	#4	11'-10"	—	
b ₁₂ (E)	2	#4	6'-0"	—	
b ₁₃ (E)	2	#4	2'-8"	—	
d(E)	34	#5	5'-7"	—	
d ₂ (E)	34	#5	7'-11"	—	
e ₅ (E)	16	#4	14'-8"	—	
e ₆ (E)	2	#8	14'-8"	—	
t(E)	114	#4	13'-10"	—	
w(E)	80	#5	37'-0"	—	
w ₁ (E)	40	#5	8'-0"	—	
Concrete Superstructure				Cu. Yd.	88.8
Concrete Structures				Cu. Yd.	24.0
Reinforcement Bars, Epoxy Coated				Pound	23,570

(Sheet 2 of 2)

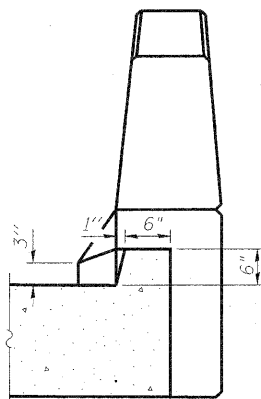
EAST APPROACH SLAB DETAILS
STRUCTURE NO. 057-7800



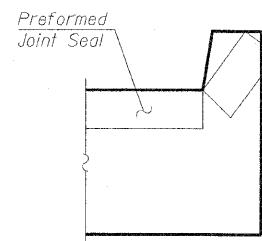
SOUTHEAST PARAPET SECTION



VIEW E-E

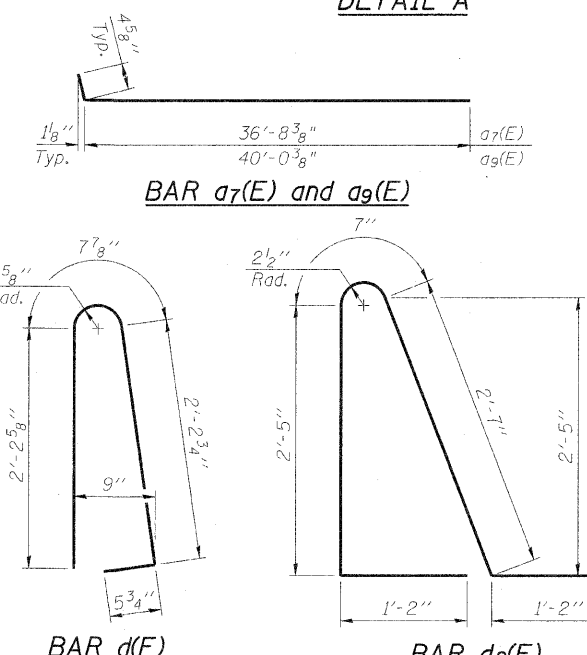


VIEW B-B



VIEW F-F

Angle Preformed Joint Seal at 45° at curbs when req'd for drainage.



BAR a₇(E) and a₉(E)

BAR d(E)

BAR d₂(E)

BAR b₈(E)

DESIGNED	SMM
CHECKED	MAES
DRAWN	SMM
CHECKED	MAES

SHEET NO.15	F.A.U. RTE.	SECTION	COUNTY	TOTAL SHEETS	SHEET NO.
	6354	06-002300-00-BR	MCLEAN	64	44
26 SHEETS	SN 057-7800		CONTRACT NO. 91430		
	FED. ROAD DIST. NO. 5 ILLINOIS FED. AID PROJECT				