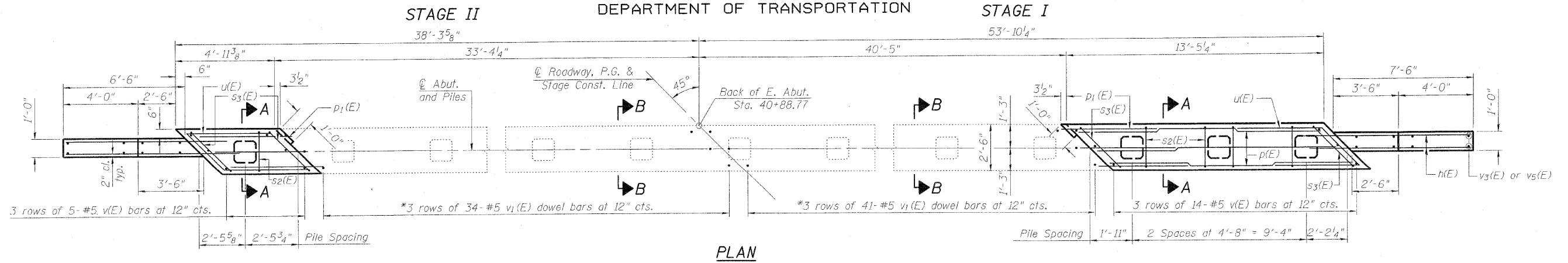
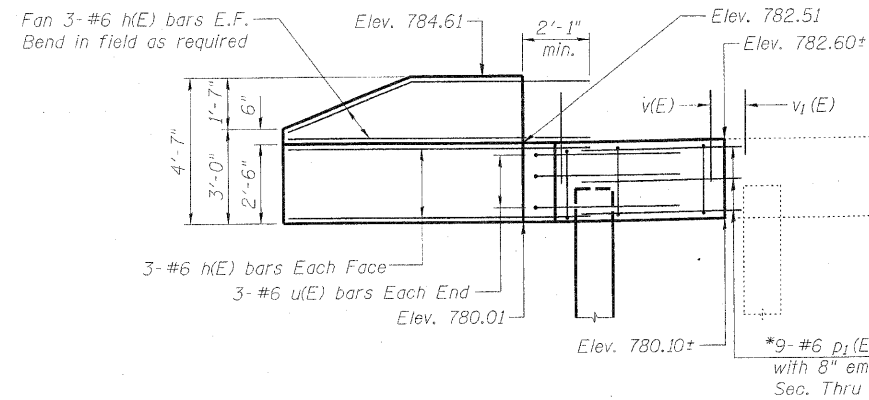


STATE OF ILLINOIS
DEPARTMENT OF TRANSPORTATION



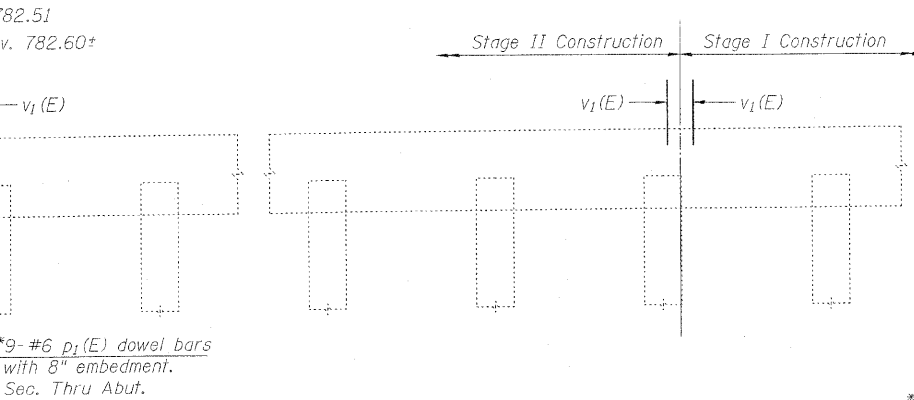
PLAN

*Cost of drilling and dowelling bars with epoxy adhesive is included with cost of Reinforcement Bars, Epoxy Coated.



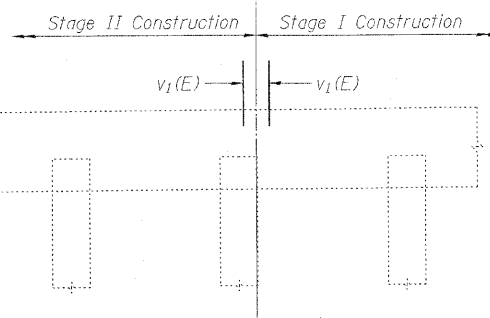
SECTION A-A

(Dimensions are at Rt. L's)



SECTION B-B

(Dimensions are at Rt. L's)

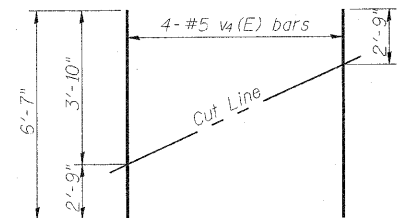


ELEVATION
(Looking West)

**Remove delaminated or spalled concrete prior to dowelling. Cost included with Concrete Structures.

EAST ABUTMENT
BILL OF MATERIAL

Bar	No.	Size	Length	Shape
h(E)	24	#5	9'-8"	—
p(E)	7	#7	13'-5"	—
p1(E)	18	#6	5'-4"	—
s2(E)	9	#4	9'-3"	□
s3(E)	4	#4	10'-11"	□
u(E)	6	#6	12'-0"	┌
v(E)	57	#5	2'-10"	—
v1(E)	225	#5	1'-11"	—
v3(E)	12	#6	4'-2"	—
v5(E)	8	#6	6'-7"	—
Structure Excavation		Cu. Yd.	52	
Concrete Structures		Cu. Yd.	6.4	
Reinforcement Bars, Epoxy Coated		Pound	1,540	
Furnishing Precast Concrete Piles 14"		Foot	66	
Driving Piles		Foot	66	
Test Pile Precast Concrete		Each	1	



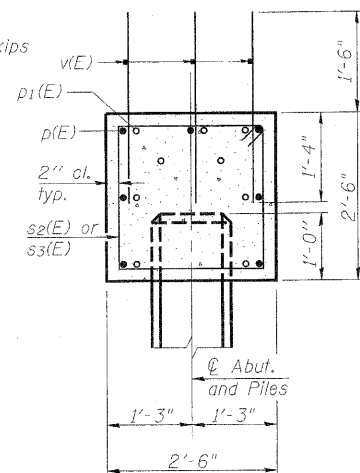
FIELD CUTTING DIAGRAM

Order v4(E) full length. Cut as shown and use remainder of bars in opposite face.

EAST ABUTMENT
STRUCTURE NO. 057-7800

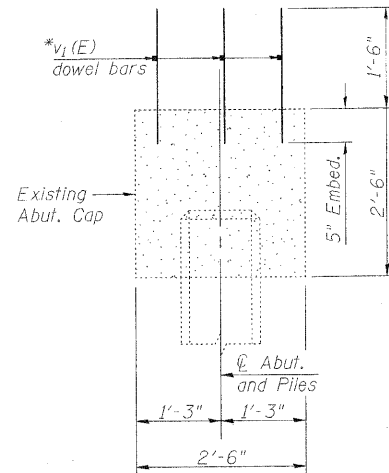
PILE DATA

Type: Precast Concrete 14"
Nominal Required Bearing: 265 kips
Factored Resistance Available: 132 kips
Est. Length: 22 feet
No. Production Piles: 3
No. Test Piles: 1



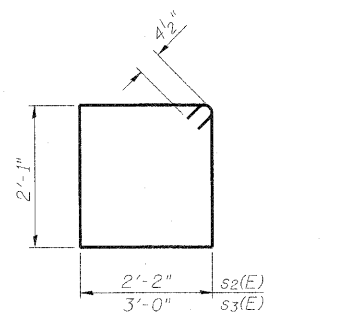
SECTION A-A

(Dimensions are at Rt. L's)

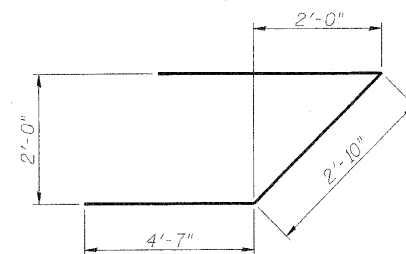


SECTION B-B

(Dimensions are at Rt. L's)



BARS s2(E) & s3(E)



BAR u(E)

MIN. BAR LAP	
#6	4'-5"

DESIGNED	SMM
CHECKED	MAES
DRAWN	SMM
CHECKED	MAES

SHEET NO. 19	F.A.U. RTE.	SECTION	COUNTY	TOTAL SHEETS	SHEET NO.
	6354	06-002300-00-BR	MCLEAN	64	48
26 SHEETS	SN 057-7800		CONTRACT NO. 91430		
FED. ROAD DIST. NO. 5 ILLINOIS FED. AID PROJECT					