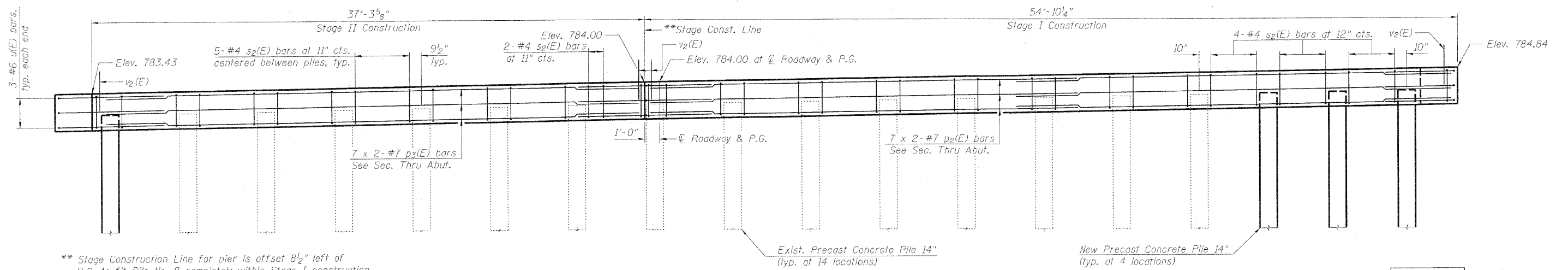
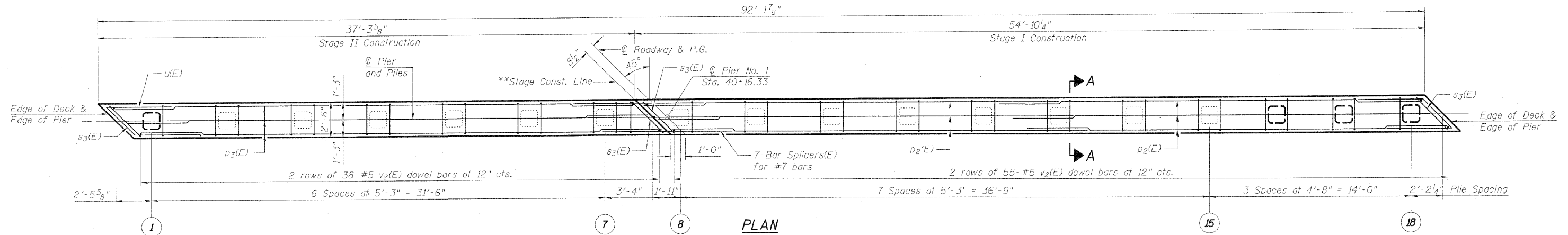


STATE OF ILLINOIS
DEPARTMENT OF TRANSPORTATION



** Stage Construction Line for pier is offset 8 1/2" left of P.G. to fit Pile No. 8 completely within Stage I construction.

ELEVATION
(Looking East)

MIN. BAR LAP	
#6	4'-5"
#7	5'-10"

PILE DATA

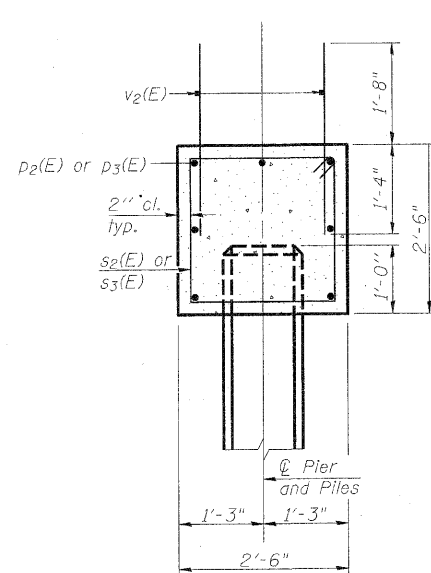
Type: Precast Concrete 14"
Nominal Required Bearing: 265 kips
Factored Resistance Available: 132 kips
Est. Length: 21 feet
No. Production Piles: 3
No. Test Piles: 1

TOP OF PILE ELEVATIONS

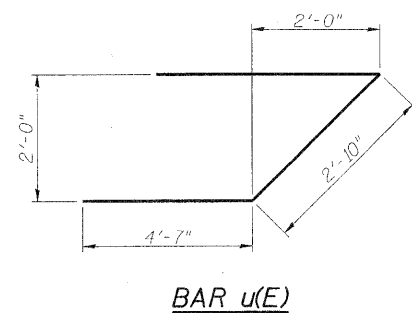
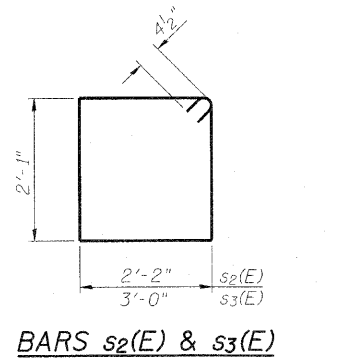
Pile No.	Elev.	Pile No.	Elev.
1	781.97	10*	782.69
2*	782.05	11*	782.77
3*	782.13	12*	782.85
4*	782.21	13*	782.93
5*	782.29	14*	783.01
6*	782.37	15*	783.09
7*	782.45	16	783.16
8*	782.53	17	783.24
9*	782.61	18	783.31

* Cut existing pile to plan elevation. Cost of cutting included with Removal of Existing Structure.

DESIGNED	SMM
CHECKED	MAES
DRAWN	SMM
CHECKED	MAES



SECTION A-A
(Dimensions are at Rt. L's)



PIER NO. 1
BILL OF MATERIAL

Bar	No.	Size	Length	Shape
p2(E)	14	#7	30'-2"	—
p3(E)	7	#7	36'-10"	—
s2(E)	79	#4	9'-3"	□
s3(E)	4	#4	10'-11"	□
u(E)	6	#6	12'-0"	⌒
v2(E)	186	#5	3'-0"	—
Concrete Structures	Cu. Yd.	20.4		
Reinforcement Bars, Epoxy Coated	Pound	2,600		
Furnishing Precast Concrete Piles 14"	Foot	63		
Driving Piles	Foot	63		
Test Pile Precast Concrete	Each	1		

Bars indicated thus 1 x 2-#7 etc. indicates 1 line of bars with 2 lengths per line.

PIER NO. 1
STRUCTURE NO. 057-7800

SHEET NO. 20 26 SHEETS	F.A.U. RTE. 6354	SECTION 06-002300-00-BR	COUNTY MCLEAN	TOTAL SHEETS 64	SHEET NO. 49
	SN 057-7800		CONTRACT NO. 91430		
FED. ROAD DIST. NO. 5 ILLINOIS FED. AID PROJECT					