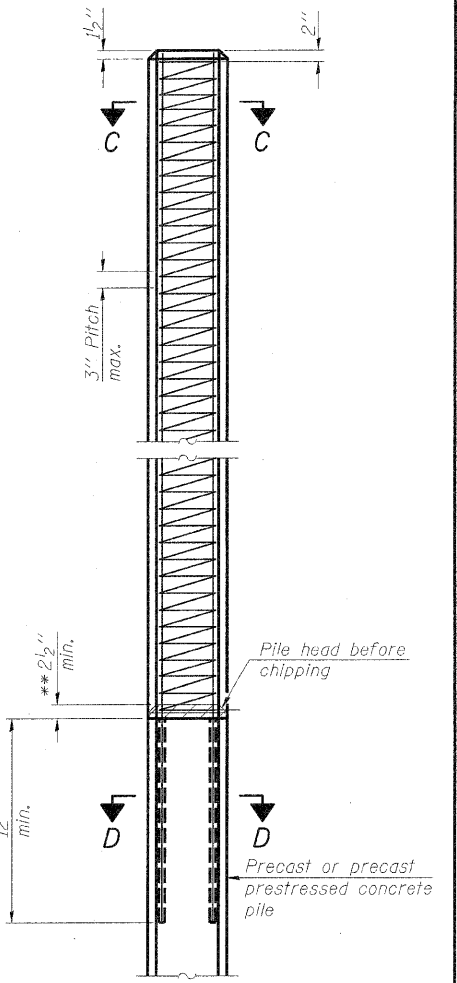
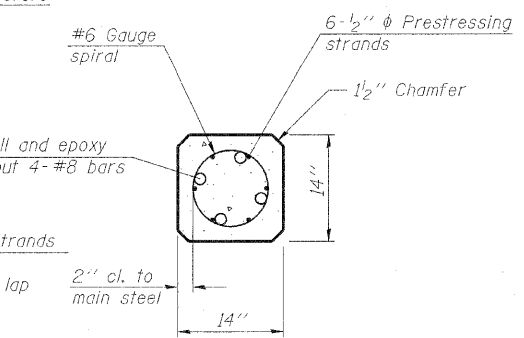
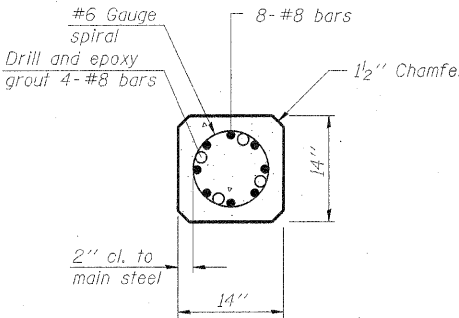
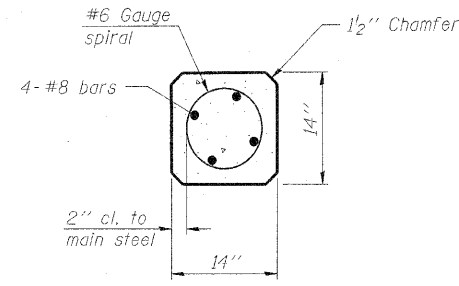
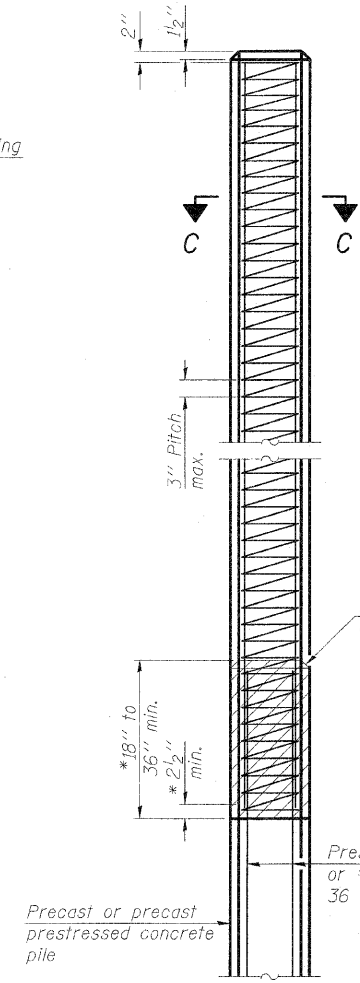
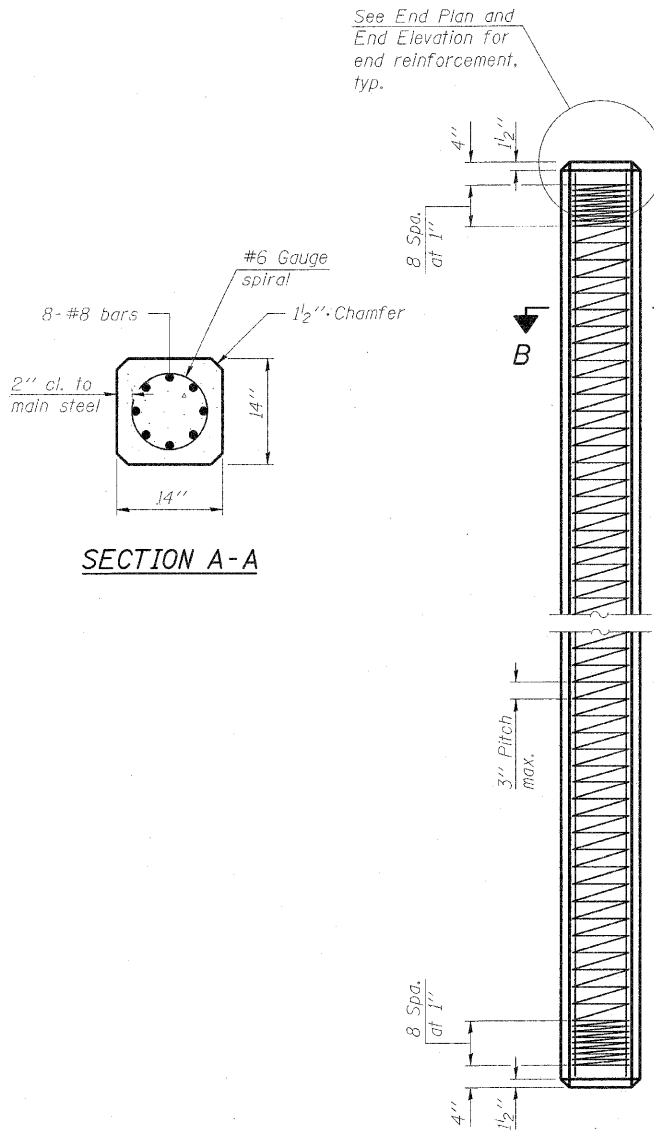
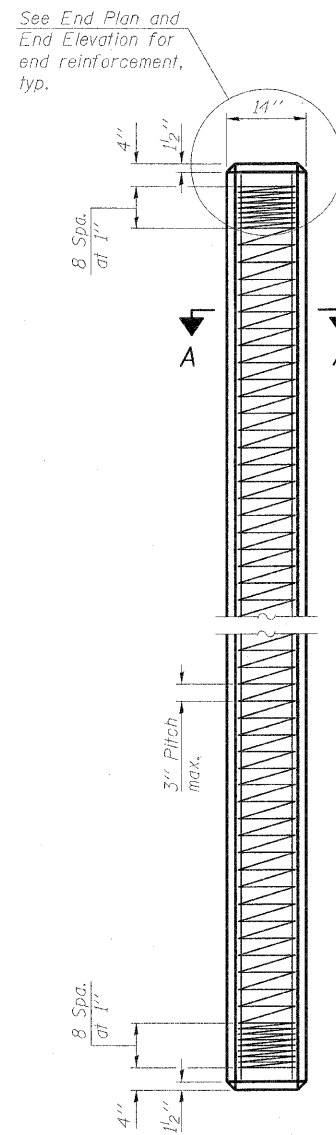


STATE OF ILLINOIS
DEPARTMENT OF TRANSPORTATION

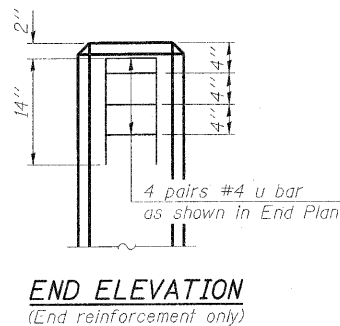
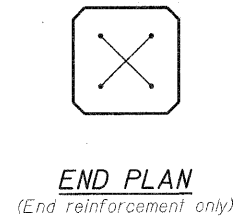
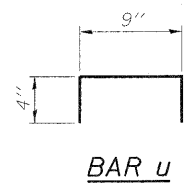


PRECAST CONCRETE PILE

PRECAST PRESTRESSED CONCRETE PILE

STANDARD PILE EXTENSION

ALTERNATE PILE EXTENSION



DESIGNED	SMM
CHECKED	MAES
DRAWN	SMM
CHECKED	MAES

F-PC

11-1-09

CLARK DIETZ, INC.

NOTES

Prestressing steel shall be uncoated high strength, low-relaxation 7-wire strand. The nominal diameter shall be 1/2" with a cross-sectional area of 0.153 in².
For Pile lengths up to 65', use two slings placed at a distance of 0.21 L* from each end. For Piles longer than 65', use three slings placed at a distance of 0.12 L* from each end and at midpoint of pile. *L= Overall length of pile to be handled.
For handling pile lengths up to 45', use two slings placed at a distance of 0.21 L from each end. For handling piles longer than 45', use three slings placed at a distance of 0.12 L from each end and at midpoint of pile.

- * To construct pile extension, chip top of pile back 36 bar ϕ min. to expose vertical bars and lap vertical buildup bars. Remove spiral to 2 1/2" min. above chipping and provide full strength lap weld exterior face (4" min. length).
- ** To construct pile extension, chip top of pile back 2 1/2" to expose wire spiral and provide full strength lap weld exterior face (4" min. length).

DESIGN STRESSES

f'_c	=	5,000 p.s.i. (prestressed)
f'_c	=	4,500 p.s.i. (precast)
f'_{cl}	=	4,000 p.s.i.
f'_s	=	270,000 p.s.i. (41,300 lbs.-1/2" ϕ)
f_{sj}	=	189,000 p.s.i. (28,900 lbs.-1/2" ϕ)

**PILE DETAILS
STRUCTURE NO. 057-7800**

SHEET NO. 22 26 SHEETS	F.A.U. RTE. 6354	SECTION 06-002300-00-BR	COUNTY MCLEAN	TOTAL SHEETS 64	SHEET NO. 51
	SN 057-7800		CONTRACT NO. 91430		
FED. ROAD DIST. NO. 5 ILLINOIS FED. AID PROJECT					