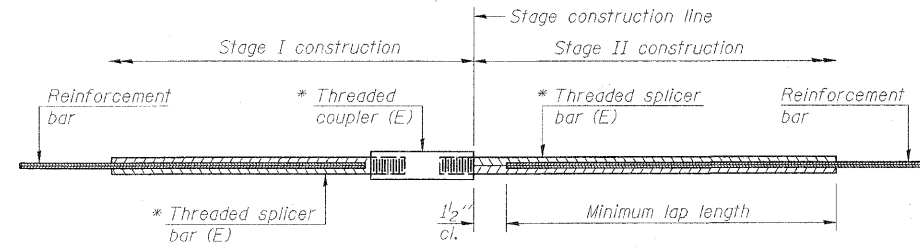


STATE OF ILLINOIS  
DEPARTMENT OF TRANSPORTATION



**STANDARD BAR SPLICER ASSEMBLY**

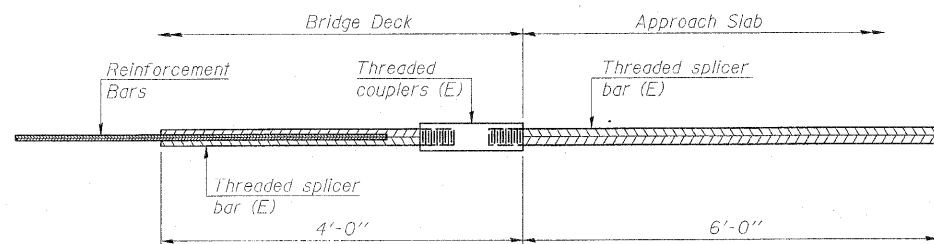
Bar size to be spliced	Minimum Lap Lengths			
	Table 1	Table 2	Table 3	Table 4
3, 4	1'-5"	1'-11"	2'-1"	2'-4"
5	1'-9"	2'-5"	2'-7"	2'-11"
6	2'-1"	2'-11"	3'-1"	3'-6"
7	2'-9"	3'-10"	4'-2"	4'-8"
8	3'-8"	5'-1"	5'-5"	6'-2"
9	4'-7"	6'-5"	6'-10"	7'-9"

Table 1: Black bar, 0.8 Class C  
Table 2: Black bar, Top bar lap, 0.8 Class C  
Table 3: Epoxy bar, 0.8 Class C  
Table 4: Epoxy bar, Top bar lap, 0.8 Class C

Threaded splicer bar length = min. lap length + 1 1/2" + thread length

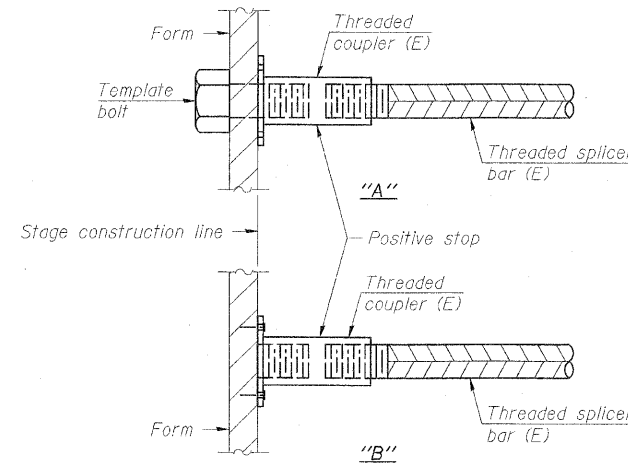
\* Epoxy not required on Bar Splicer Assembly components used in conjunction with black bars.

Location	Bar size	No. assemblies required	Table for minimum lap length
Top of Slab - Super	#7	121	4'-8"
Bot of Slab - Super	#7	121	4'-2"
Bot of Slab - Super	#5	12	2'-7"
W. Approach Slab	#4	25	2'-4"
W. Approach Slab	#5	46	2'-7"
W. Approach Footing	#5	40	2'-7"
E. Approach Slab	#4	25	2'-4"
E. Approach Slab	#5	46	2'-7"
E. Approach Footing	#5	40	2'-7"
Pier No. 1	#7	7	4'-8"
Pier No. 2	#7	7	4'-8"



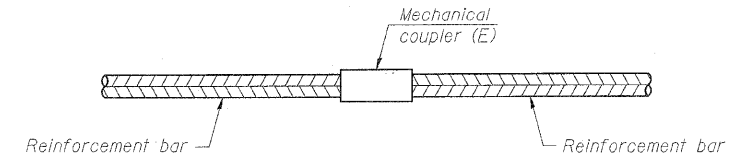
**BAR SPLICER ASSEMBLY FOR #5 BAR ON INTEGRAL OR SEMI-INTEGRAL ABUTMENTS**

No. required = 108



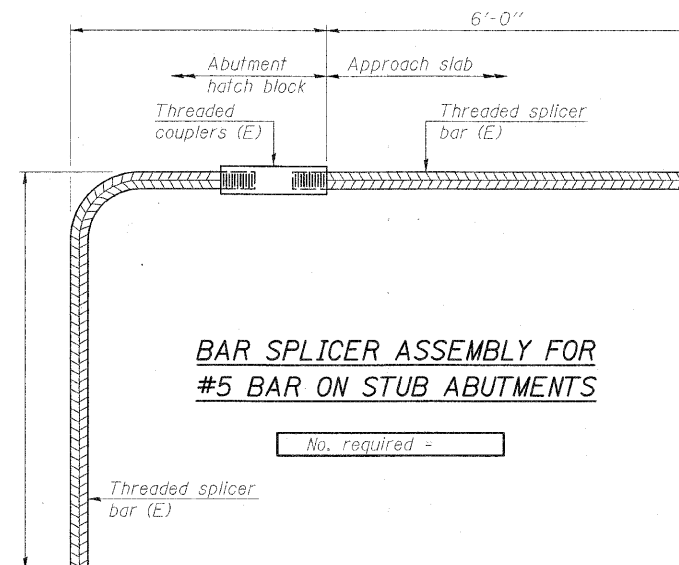
**INSTALLATION AND SETTING METHODS**

"A": Set bar splicer assembly by means of a template bolt.  
"B": Set bar splicer assembly by nailing to wood forms or cementing to steel forms.  
(E): Indicates epoxy coating.



**STANDARD MECHANICAL SPLICER**

Location	Bar size	No. assemblies required



**BAR SPLICER ASSEMBLY FOR #5 BAR ON STUB ABUTMENTS**

No. required =

**NOTES**

Splicer bars shall be deformed with threaded ends and have a minimum 60 ksi yield strength.  
All reinforcement shall be lapped and tied to the splicer bars.  
Bar splicer assemblies shall be epoxy coated according to the requirements for reinforcement bars. See Section 508 of the Standard Specifications.  
See special provision for Mechanical Splicers.  
See approved list of bar splicer assemblies and mechanical splicers for alternatives.

**BAR SPLICER DETAILS  
STRUCTURE NO. 057-7800**

DESIGNED	SMM
CHECKED	MAES
DRAWN	SMM
CHECKED	MAES

BSD-1 11-1-09

CLARK DIETZ, INC.

SHEET NO. 24 26 SHEETS	F.A.U. RTE. 6354	SECTION 06-002300-00-BR	COUNTY MCLEAN	TOTAL SHEETS 64	SHEET NO. 53
	SN 057-7800		CONTRACT NO. 91430		
FED. ROAD DIST. NO. 5 ILLINOIS FED. AID PROJECT					