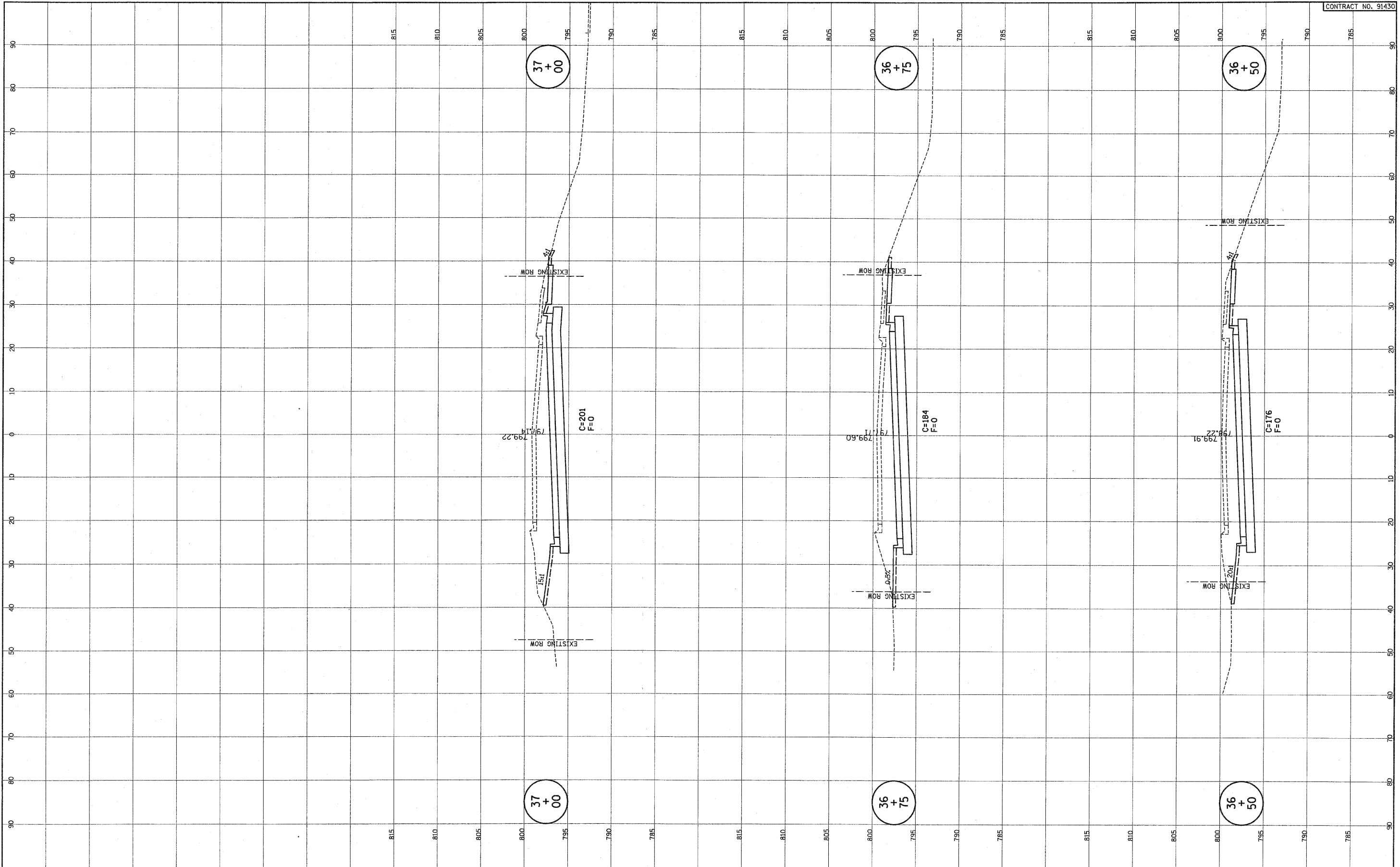


FINAL SURVEY	BY	DATE
SURVEYED		
NOTE BOOK		
NO.		
AREAS CHECKED		
AREAS CHECKED		

ORIGINAL SURVEY	BY	DATE
SURVEYED		
NOTE BOOK		
NO.		
AREAS CHECKED		
AREAS CHECKED		



FILE NAME = p:\n0240062\plans\sheets\18xs.dgn
 PLOT DATE = 6/5/2010 11:41:21 AM

DESIGNED - JAJ	REVISED -
DRAWN - JAJ	REVISED -
CHECKED - RLH	REVISED -
DATE - 06/2010	REVISED -

STATE OF ILLINOIS
 DEPARTMENT OF TRANSPORTATION

CROSS SECTIONS
 SCALE : 1"=10' H
 SHEET NO. 59 OF 64 SHEETS
 STA. 36+50.00 TO STA. 37+00.00

F.A.U. RTE.	SECTION	COUNTY	TOTAL SHEETS	SHEET NO.
6354	06-00230-00-BR	MCLEAN	64	59
VERNON AVENUE, TOWN OF NORMAL, ILLINOIS			CONTRACT NO. 91430	
FED. ROAD DIST. NO. 5 ILLINOIS FED. AID PROJECT				