

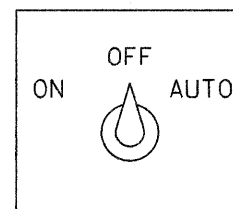
POWER REQUIREMENTS

SERVICE	-	120/240 SINGLE PHASE, 3W, 225A
CIRCUIT A	FIXT.	1 X 312W = 321W
	FIXT.	6 X 139W = 834W
	RECP.	7 X 300W = 2,100W
CIRCUIT B	FIXT.	6 X 139W = 834W
	RECP.	6 X 300W = 1,800W
	TOTAL = 2,634W	
CIRCUIT C	FIXT.	1 X 249W = 249W
	FIXT.	3 X 312W = 936W
	RECP.	4 X 300W = 1,200W
CIRCUIT D	FIXT.	1 X 249W = 249W
	FIXT.	4 X 312W = 1,248W
	RECP.	5 X 300W = 1,500W
CIRCUIT E	FIXT.	1 X 249W = 249W
	FIXT.	4 X 312W = 1,248W
	RECP.	5 X 300W = 1,500W
CIRCUIT F	FIXT.	1 X 249W = 249W
	FIXT.	4 X 312W = 1,248W
	RECP.	5 X 300W = 1,500W
POWER PEDESTALS	RECP.	4 X 6,000W = 24,000W
TOTAL		41,256W

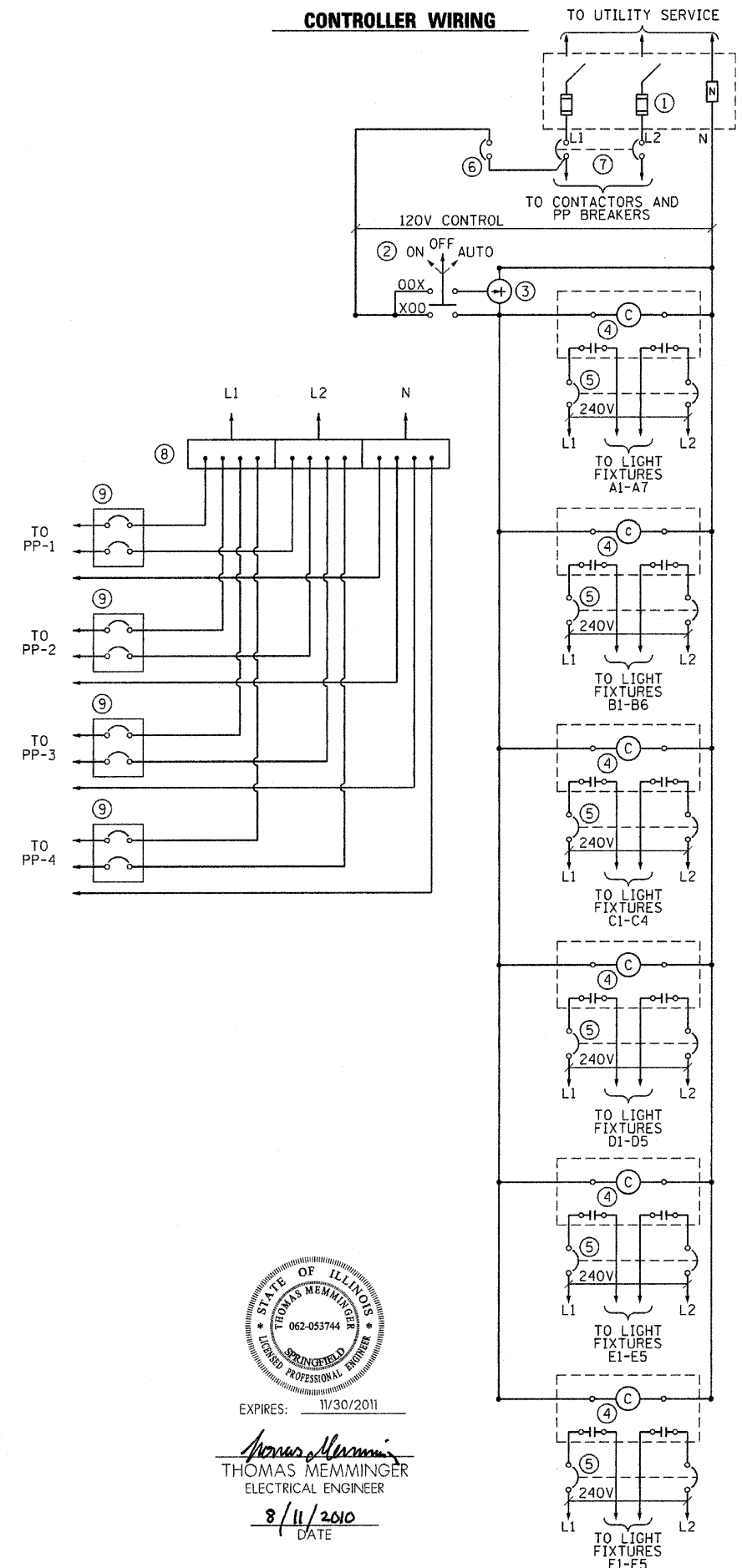
NOTES

1. FUSED DISCONNECT, 400A, 240V WITH SOLID NEUTRAL, RATED FOR SERVICE ENTRANCE USE, LOCATED IN UTILITY PEDESTAL.
2. HOA SWITCH WITH ENGRAVED NAMEPLATE AS DETAILED.
3. PHOTOCELL WITH INTERGRATED SURGE SUPPRESSOR.
4. LIGHTING CONTACTOR 30A, 2P, 240V, ELECTRICALLY HELD.
5. CIRCUIT BREAKER, 30A, 2P, 240V, INCLUDE 2 SPARE.
6. CIRCUIT BREAKER, 20A, 1P, 120V, INCLUDE 2 SPARE.
7. MAIN CIRCUIT BREAKER, 400A, 2P, 240V.
8. DISTRIBUTION BLOCK
9. CIRCUIT BREAKER, 50A, 2P, 240V

HOA NAMEPLATE



CONTROLLER WIRING



EXPIRES: 11/30/2011
Thomas Memminger
 THOMAS MEMMINGER
 ELECTRICAL ENGINEER
 8/11/2010
 DATE

FILE NAME =	USER NAME = #USER#	DESIGNED - TM	REVISED -
#FILE#		DRAWN - RAH	REVISED -
	PLOT SCALE = #SCALE#	CHECKED - TM	REVISED -
	PLOT DATE = 8/11/2010	DATE -	REVISED -

**STATE OF ILLINOIS
 DEPARTMENT OF TRANSPORTATION**

CABLE / WIRING PLAN
 SCALE: N.T.S. SHEET NO. 29 OF 49 SHEETS STA. TO STA.

F.A. RTE.	SECTION	COUNTY	TOTAL SHEETS	SHEET NO.
N/A	05-00017-00-FP	SCHUYLER	49	29
FED. ROAD DIST. NO. ILLINOIS FED. AID PROJECT			CONTRACT NO. 93541	