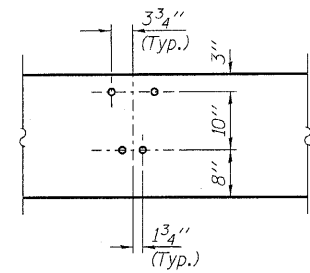
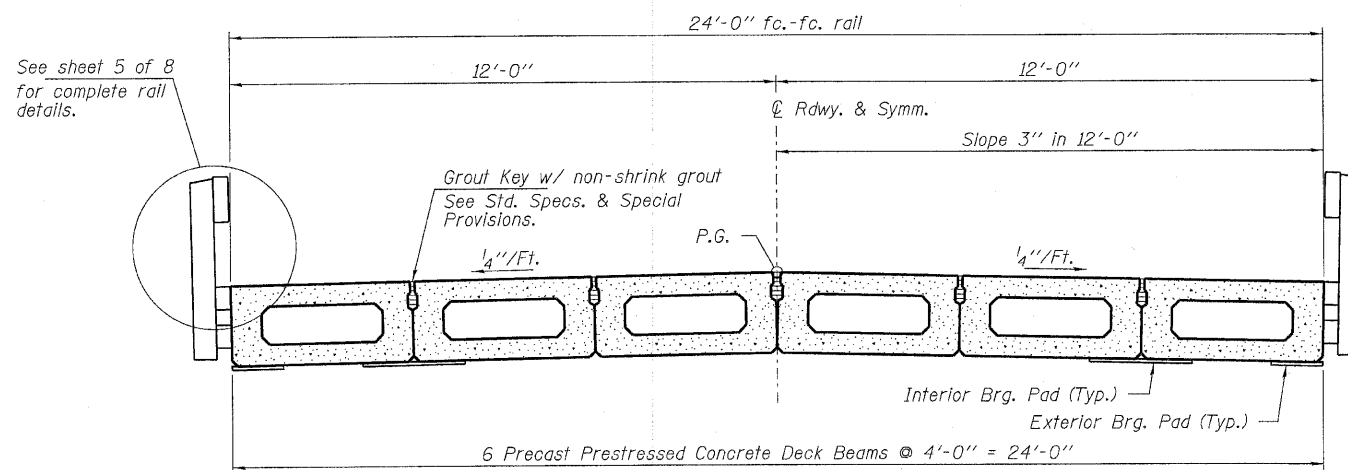


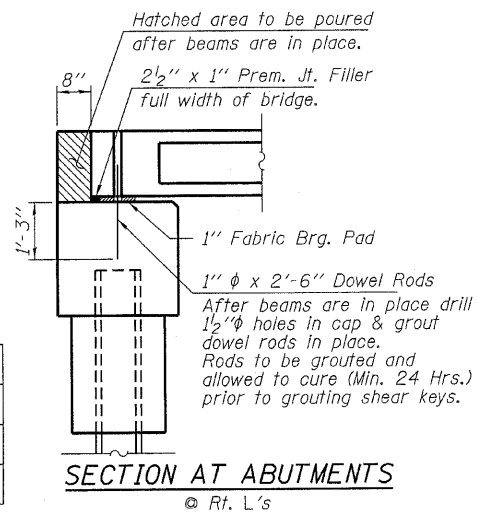
ELEVATION
Showing Rail Post Spaces
See sheet 5 of 8 for Railing Details.



DETAIL A



CROSS SECTION
See sheets 2 & 3 of 8 for Superstructure.



SECTION AT ABUTMENTS
© Rt. L's

DESIGNED - A.S.L.
CHECKED - S.W.M.
DRAWN - D.A.B.
CHECKED - S.W.M.

SUPERSTRUCTURE DETAILS
STRUCTURE NO. 097-3268

HAMPTON, LENZINI AND RENWICK, INC. CIVIL ENGINEERS - STRUCTURAL ENGINEERS - LAND SURVEYORS HLR 3085 STEVENSON DRIVE, SUITE 201 SPRINGFIELD, ILLINOIS 62703 217.546.3400 www.hlrengr.com 184.000959 ILLINOIS PROFESSIONAL DESIGN FIRM LS / PE / SE CORPORATION	SHEET NO. 4 8 SHEETS	F.A.S.	SECTION	COUNTY	TOTAL SHEETS	SHEET NO.
		1884	09-00114-00-BR	WHITE	12	8
PROJECT NUMBER: 09.0053.130		DATE: 07/27/10		CONTRACT NO. 99431		
FED. ROAD DIST. NO.		ILLINOIS FED. AID PROJECT				