

STATE OF ILLINOIS
DEPARTMENT OF TRANSPORTATION

PROPOSED
HIGHWAY PLANS

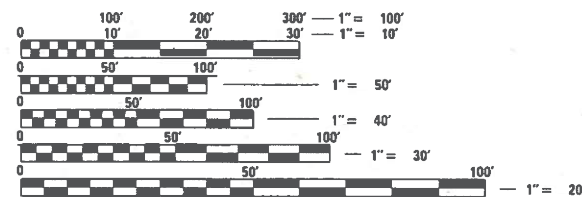
ROUTE: F.A.P. 353 US 30 (LINCOLN HIGHWAY)
LOWE AVE. TO EAST OF IL 394
SECTION: 2020-106-RS&SW
PROJECT: NHPP-F6E9(834)
STANDARD OVERLAY AND ADA IMPROVEMENTS
COOK COUNTY
C-91-303-20

FOR INDEX OF SHEETS, SEE SHEET NO. 2
CITY OF CHICAGO HEIGHTS
VILLAGE OF FORD HEIGHTS

SPEED LIMIT = 35, 40 MPH

TRAFFIC DATA:

LOWE AVE. TO STATE ST: 17,100 ADT (2018)
STATE ST. TO COTTAGE GROVE AVE: 18,100 ADT (2019)
COTTAGE GROVE AVE. TO I-394: 19,500 ADT (2019)



FULL SIZE PLANS HAVE BEEN PREPARED USING STANDARD ENGINEERING SCALES. REDUCED SIZED PLANS WILL NOT CONFORM TO STANDARD SCALES. IN MAKING MEASUREMENTS ON REDUCED PLANS, THE ABOVE SCALES MAY BE USED.

J.U.L.I.E.
JOINT UTILITY LOCATION INFORMATION FOR EXCAVATORS
1-800-892-0123
OR 811

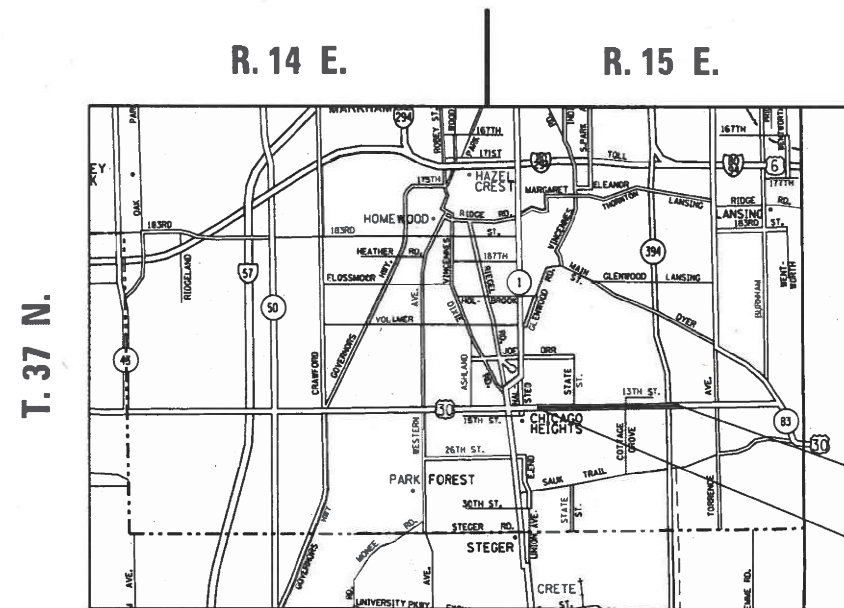
PROJECT ENGINEER: DANIEL WILGREEN, PE (847) 705-4240
PROJECT MANAGER: FAWAD AQUEEL, PE, PTOE (847) 705-4247

CONTRACT NO. 62L84

F.A.P. RTE.	SECTION	COUNTY	TOTAL SHEETS	SHEET NO.
353	2020-106-RS&SW	COOK	41	1
ILLINOIS CONTRACT NO. 62L84				

* 41 + 28 = 69 TOTAL SHEETS

D-91-505-20



LOCATION MAP
(NOT TO SCALE)

OMISSIONS:

- STA. 52 + 28 TO STA. 52 + 49
- STA. 65 + 61 TO STA. 66 + 55
- STA. 150 + 55 TO STA. 151 + 61
- STA. 162 + 87 TO STA. --165 + 11

PROJECT ENDS
STA. 169 + 83

PROJECT BEGINS
STA. 15 + 08

IN THE MUNICIPLITES OF: CHICAGO HEIGHTS, FORD HEIGHTS.

GROSS LENGTH = 15,475 FT. = 2.93 MILE
NET LENGTH = 15,030 FT = 2.85 MILE

STATE OF ILLINOIS
DEPARTMENT OF TRANSPORTATION

SUBMITTED August 4, 2021
FOR REVIEW


October 1, 2021
REGIONAL ENGINEER

October 21, 2021
ENGINEER OF DESIGN AND ENVIRONMENT

October 21, 2021
DIRECTOR OF HIGHWAYS PROJECT IMPLEMENTATION

PRINTED BY THE AUTHORITY
OF THE STATE OF ILLINOIS

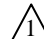
INDEX OF SHEETS

SHEET NO.	DESCRIPTION
1	COVER SHEET
2-3	INDEX OF SHEETS, STATE STANDARDS & GENERAL NOTES
4-6	SUMMARY OF QUANTITIES
7-8	EXISTING AND PROPOSED TYPICAL SECTIONS
9-14	ROADWAY PLAN
14A-14AB	SIDEWALK DETAIL PLANS 
15-21	DETECTOR LOOP REPLACEMENT PLANS
22-27	ADA DETAILS
28	DETAILS FOR FRAMES AND LIDS ADJUSTMENT WITH MILLING (BD-08)
29	PAVEMENT PATCHING FOR HMA SURFACED PAVEMENT (BD-22)
30	CURB OR CURB AND GUTTER REMOVAL AND REPLACEMENT (BD-24)
31	BUTT JOINT AND HMA TAPER DETAILS (BD-32)
32	TRAFFIC CONTROL AND PROTECTION FOR SIDE ROADS, INTERSECTIONS, AND DRIVEWAYS (TC-10)
33	TYPICAL APPLICATIONS RAISED REFLECTIVE PAVEMENT MARKERS (SNOW PLOW RESISTANT) (TC-11)
34	DISTRICT ONE TYPICAL PAVEMENT MARKINGS (TC-13)
35	TRAFFIC CONTROL AND PROTECTION AT TURN BAYS (TO REMAIN OPEN TO TRAFFIC) (TC-14)
36	SHORT TERM PAVEMENT MARKING LETTERS AND SYMBOLS (TC-16)
37	DISTRICT 1 - DETECTOR LOOP INSTALLATION DETAILS FOR ROADWAY RESURFACING (TS-07)
38	ARTERIAL ROAD INFORMATION SIGN (TC-22)
39-40	TYPICAL SUPPLEMENTAL SIGNING AND PAVEMENT MARKING TREATMENT FOR RAILROAD CROSSINGS (TC-23)
41	DRIVEWAY ENTRANCE SIGNING (TC-26)

STATE HIGHWAY STANDARDS

STANDARD NO.	DESCRIPTION
000001-08	STANDARD SYMBOLS, ABBREVIATIONS AND PATTERNS
424001-11	PERPENDICULAR CURB RAMPS FOR SIDEWALKS
424006-05	DIAGONAL CURB RAMPS FOR SIDEWALKS
424011-04	CORNER PARALLEL CURB RAMPS FOR SIDEWALKS
424021-06	DEPRESSED CORNER FOR SIDEWALKS
424031-02	MEDIAN PEDESTRIAN CROSSING
442201-03	CLASS C AND D PATCHES
606001-07	COMBINATION CONCRETE CURB AND GUTTER
701101-05	OFF-ROAD OPERATION, MULTILANE, 15' TO 24" FROM PAVEMENT EDGE
701400-10	APPROACH TO LANE CLOSURE FREEWAY/EXPRESSWAY
701402-12	LANE CLOSURE FREEWAY/EXPRESSWAY DAY OPERATIONS ONLY
701411-09	LANE CLOSURE MULTILANE, AT ENTRANCE OR EXIT RAMP, FOR SPEEDS >= 45 MPH
701422-10	LANE CLOSURE, MULTILANE, FOR SPEEDS >= 45 MPH TO 55 MPH
701426-09	LANE CLOSURE, MULTILANE INTERMITTENT OR MOVING OPER., FOR SPEEDS >= 45 MPH
701427-05	LANE CLOSURE, MULTILANE, INTERMITTENT OR MOVING OPERATION, FOR SPEEDS <= 40 MPH
701428-01	TRAFFIC CONTROL SETUP AND REMOVAL FREEWAY/EXPRESSWAY
701606-10	URBAN SINGLE LANE CLOSURE, MULTILANE, 2W WITH MOUNTABLE MEDIAN
701611-01	URBAN HALF ROAD CLOSURE, MULTILANE, 2W WITH MOUNTABLE MEDIAN
701701-10	URBAN LANE CLOSURE, MULTILANE INTERSECTION
701801-06	LANE CLOSURE MULTILANE, 1W OR 2W CROSSWALK OR SIDEWALK CLOSURE
701901-08	TRAFFIC CONTROL DEVICES

MODEL: Default
 FILE: \\nas01c-pw-bentley.com\FWIDOT\Documents\DOT_Offices\DH\dtdt_1\Project\3D150520\CADD\data\Drawn\3D150520-sht-agencces.dgn

 REVISED SHEET 10/25/2021

USER NAME = ismailam	DESIGNED -	REVISED - At 10-20-2021 	STATE OF ILLINOIS DEPARTMENT OF TRANSPORTATION	INDEX OF SHEETS AND STATE STANDARDS		F.A.P. RTE.	SECTION	COUNTY	TOTAL SHEETS	SHEET NO.
PLOT SCALE = 100.0000' / in.	DRAWN -	REVISED -		US ROUTE 30 (LOWE AVE. TO EAST OF IL. ROUTE 394)		353	2020-106-R5&SW	COOK	41	2
PLOT DATE = 10/20/2021	CHECKED -	REVISED -		SCALE:	SHEET OF SHEETS	STA. TO STA.	CONTRACT NO. 62L84			
	DATE -	REVISED -		ILLINOIS FED. AID PROJECT						

SUMMARY OF QUANTITIES			CONSTRUCTION TYPE CODE					
CODE NO	ITEM	UNIT	TOTAL QUANTITIES URBAN	0005 80% FED 20% STATE	0005 100% STATE			
20200100	EARTH EXCAVATION	CU YD	114	114				
21101615	TOPSOIL FURNISH AND PLACE, 4"	SO YD	163	163				
25000400	NITROGEN FERTILIZER NUTRIENT	POUND	33	33				
25000600	POTASSIUM FERTILIZER NUTRIENT	POUND	33	33				
25200110	SODDING, SALT TOLERANT	SO YD	163	163				
25200200	SUPPLEMENTAL WATERING	UNIT	4	4				
40600290	BITUMINOUS MATERIALS (TACK COAT)	POUND	60449	60449				
40600400	MIXTURE FOR CRACKS, JOINTS, AND FLANGEWAYS	TON	135	135				
40600982	HOT-MIX ASPHALT SURFACE REMOVAL - BUTT JOINT	SO YD	1066	1066				
40600985	PORTLAND CEMENT CONCRETE SURFACE REMOVAL - BUTT JOINT	SO YD	1407	1407				
40603200	POLYMERIZED HOT-MIX ASPHALT BINDER COURSE, 1L-4.75, N50	TON	3695	3695				
40605026	POLYMERIZED HOT-MIX ASPHALT SURFACE COURSE, STONE MATRIX ASPHALT, 9.5, MIX "F", N80	TON	8777	8777				
42001300	PROTECTIVE COAT	SO YD	361	361				

SUMMARY OF QUANTITIES			CONSTRUCTION TYPE CODE					
CODE NO	ITEM	UNIT	TOTAL QUANTITIES URBAN	0005 80% FED 20% STATE	0005 100% STATE			
42400200	PORTLAND CEMENT CONCRETE SIDEWALK 5 INCH	SO FT	8767 11875	8767 11875				
42400800	DETECTABLE WARNINGS	SO FT	798	798				
44000159	HOT-MIX ASPHALT SURFACE REMOVAL, 2 1/2"	SO YD	89554	89554				
44000200	DRIVEWAY PAVEMENT REMOVAL	SO YD	26	26				
44000600	SIDEWALK REMOVAL	SO FT	8193 11300	8193 11300				
44201803	CLASS D PATCHES, TYPE II, 13 INCH	SO YD	1323	1323				
44201807	CLASS D PATCHES, TYPE III, 13 INCH	SO YD	794	794				
44201809	CLASS D PATCHES, TYPE IV, 13 INCH	SO YD	529	529				
60266600	VALVE BOXES TO BE ADJUSTED	EACH	8	8				
60300105	FRAMES AND GRATES TO BE ADJUSTED	EACH	16	16				
60300305	FRAMES AND LIDS TO BE ADJUSTED	EACH	4	4				
* 66900200	NON-SPECIAL WASTE DISPOSAL	CU YD	114	114				
* 66900530	SOIL DISPOSAL ANALYSIS	EACH	5	5				
* 66901001	REGULATED SUBSTANCES PRE-CONSTRUCTION PLAN	LSUM	1	1				

1 REVISOR SHEET 10/25/2021
* = SPECIALTY ITEMS

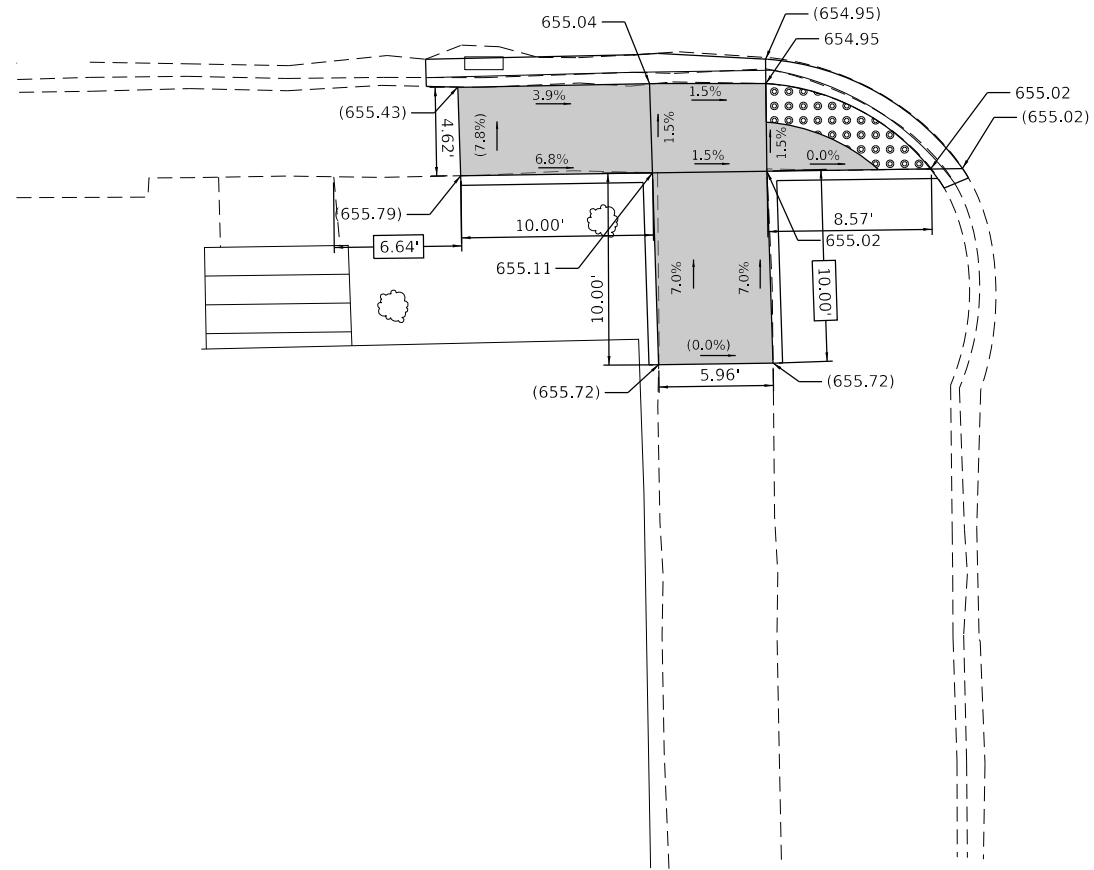
FILE NAME =	USER NAME = Ismail	DESIGNED -	REVISED -
pw\N\dot-pw\benley.com\PIW\DOT\Documents\1007		DRAWN -	REVISED -
		CHECKED -	REVISED -
		DATE -	REVISED -

**STATE OF ILLINOIS
DEPARTMENT OF TRANSPORTATION**

SUMMARY OF QUANTITIES			
SCALE:	SHEET NO.	OF SHEETS	STA. TO STA.

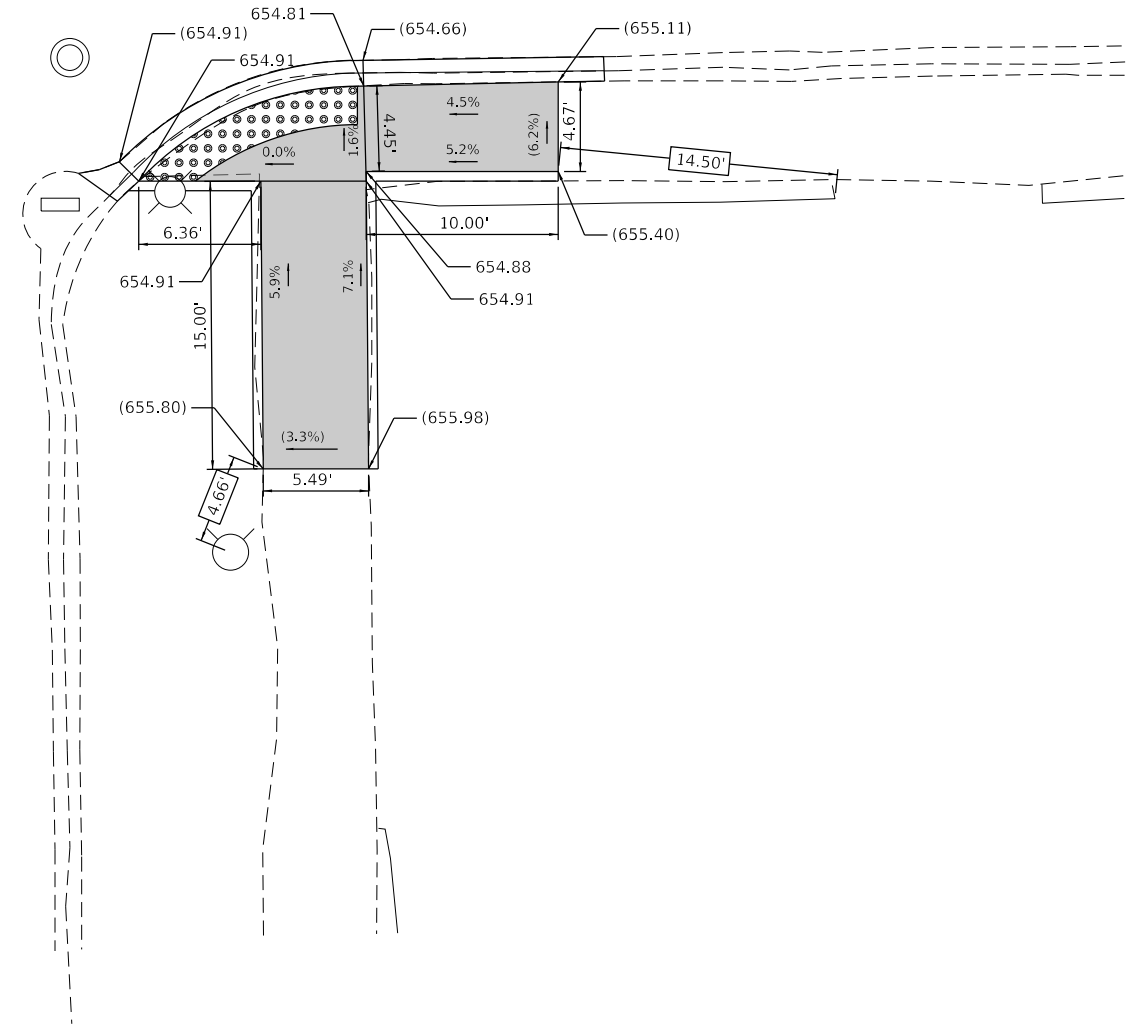
F.A.P. RTE.	SECTION	COUNTY	TOTAL SHEETS	SHEET NO.
353	2020-106-R5&SW	COOK	41	4
FED. ROAD DIST. NO. 1 ILLINOIS FED. AID PROJECT			CONTRACT NO. 62L84	

US. ROUTE 30



LOWE AVE.

US. ROUTE 30



LOWE AVE.

ENTIRE SHEET ADDED

REFERENCE BENCHMARK ELEV. 655.28 (NAVD 88)

BENCHMARK : NORTHEAST BOLT ON LIGHTPOLE BASE

LOCATION : SOUTHWEST CORNER OF US ROUTE 30 AND MCKINLEY AVE

LEGEND

XX.XX'

EXISTING LENGTH



PROPOSED SIDE CURB

()

EXISTING ELEVATION/SLOPE



PROPOSED SIDEWALK



DETECTABLE WARNINGS



SIDEWALK REMOVAL
REPLACE W/ TOPSOIL & SOD

REFERENCE BENCHMARK ELEV. 655.28 (NAVD 88)

BENCHMARK : NORTHEAST BOLT ON LIGHTPOLE BASE

LOCATION : SOUTHWEST CORNER OF US ROUTE 30 AND MCKINLEY AVE

HRG PROJECT NO.: 8650046.32
HRG PROJ. CONTACT:
FILE NAME: 082824_ramp-01.dgn
PEN TABLE: 010106.dtl



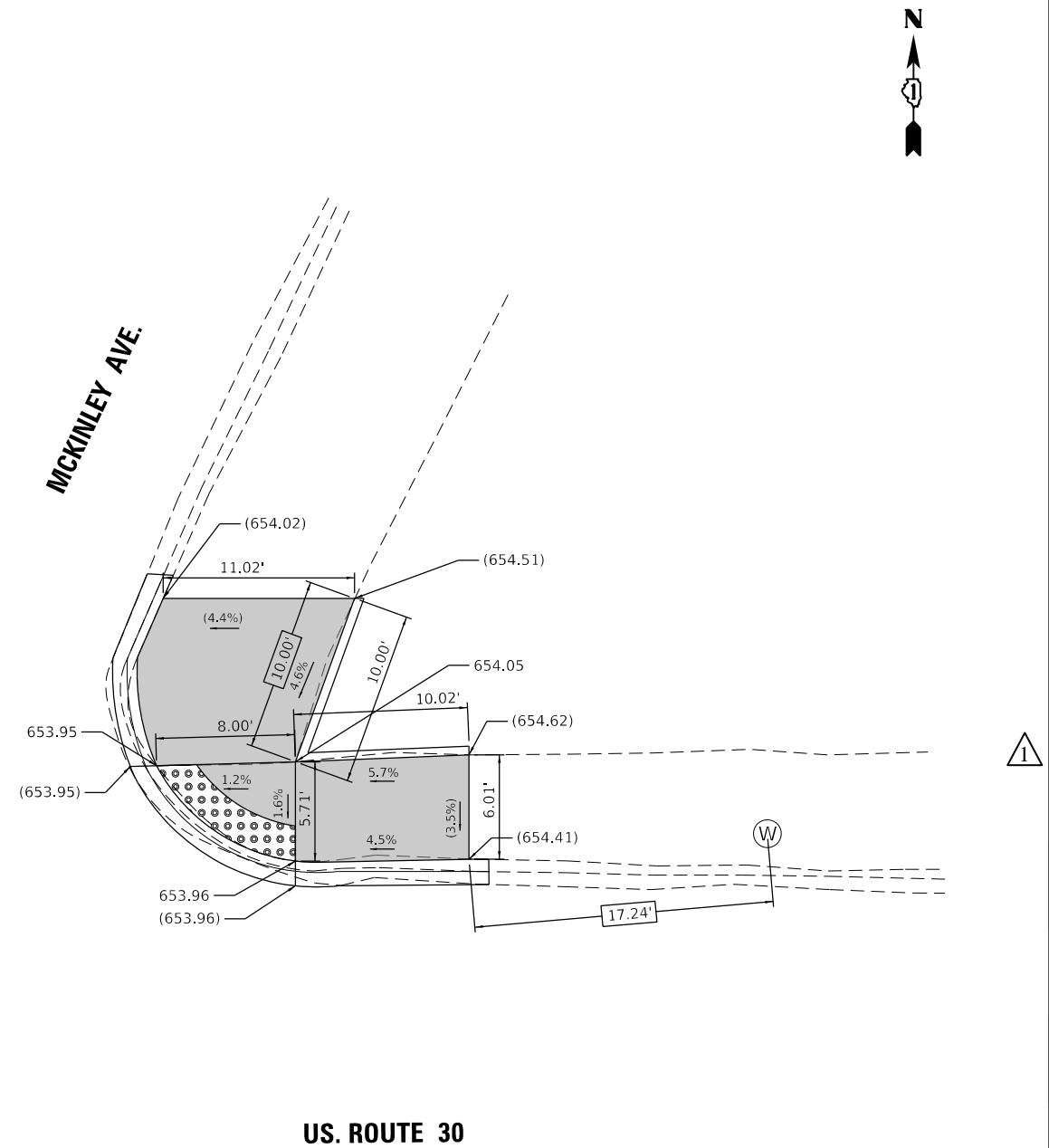
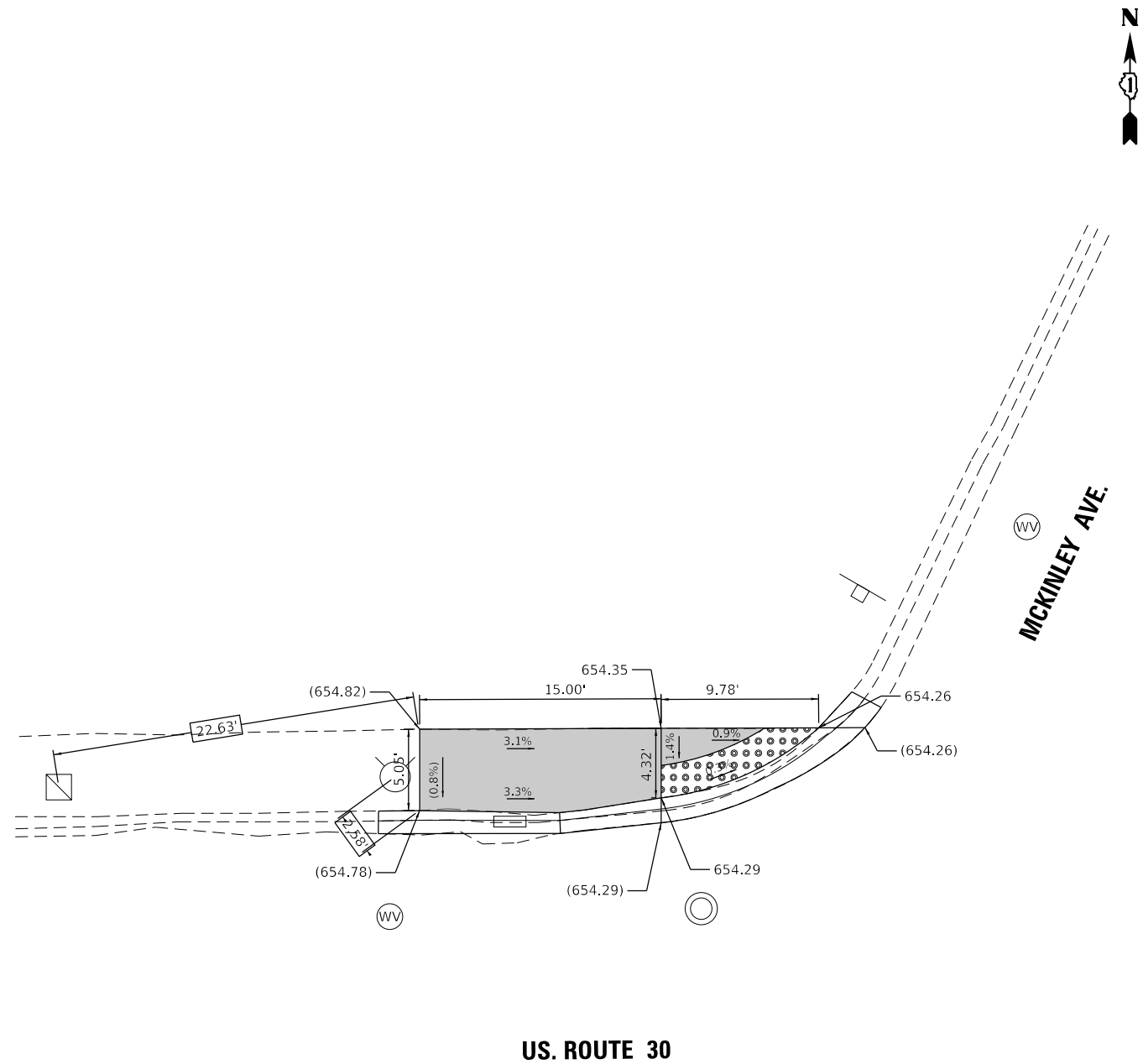
USER NAME = bhartma	DESIGNED - BDH	REVISED - AI 10-20-2021
PLOT SCALE = 10.0000' / in.	DRAWN -	REVISOR -
PLOT DATE = 9/9/2021	CHECKED -	REVISOR -
	DATE -	REVISOR -

STATE OF ILLINOIS
DEPARTMENT OF TRANSPORTATION

SIDEWALK DETAIL PLAN
US. ROUTE 30 - IL. ROUTE 394

SCALE: 1"=5' SHEET 1 OF 18 SHEETS STA. TO STA.

F.A.P. RTE.	SECTION	COUNTY	TOTAL SHEETS	SHEET NO.
353	2020-106-R5&SW	COOK	41	14 A
CONTRACT NO. 62L84			ILLINOIS FED. AID PROJECT	



ENTIRE SHEET ADDED 10/25/2021

REFERENCE BENCHMARK ELEV. 655.28 (NAVD 88)
 BENCHMARK : NORTHEAST BOLT ON LIGHTPOLE BASE
 LOCATION : SOUTHWEST CORNER OF US ROUTE 30 AND MCKINLEY AVE

LEGEND

- xx.xx' EXISTING LENGTH
- PROPOSED SIDE CURB
- () EXISTING ELEVATION/SLOPE
- PROPOSED SIDEWALK
- DETECTABLE WARNINGS
- SIDEWALK REMOVAL REPLACE W/ TOPSOIL & SOD

REFERENCE BENCHMARK ELEV. 655.28 (NAVD 88)
 BENCHMARK : NORTHEAST BOLT ON LIGHTPOLE BASE
 LOCATION : SOUTHWEST CORNER OF US ROUTE 30 AND MCKINLEY AVE

HRG PROJECT NO: 8650046.32
 HRG PROJ CONTACT:
 FILE NAME: 082824_ramp-02.dgn
 PEN TABLE: 010106.dtl



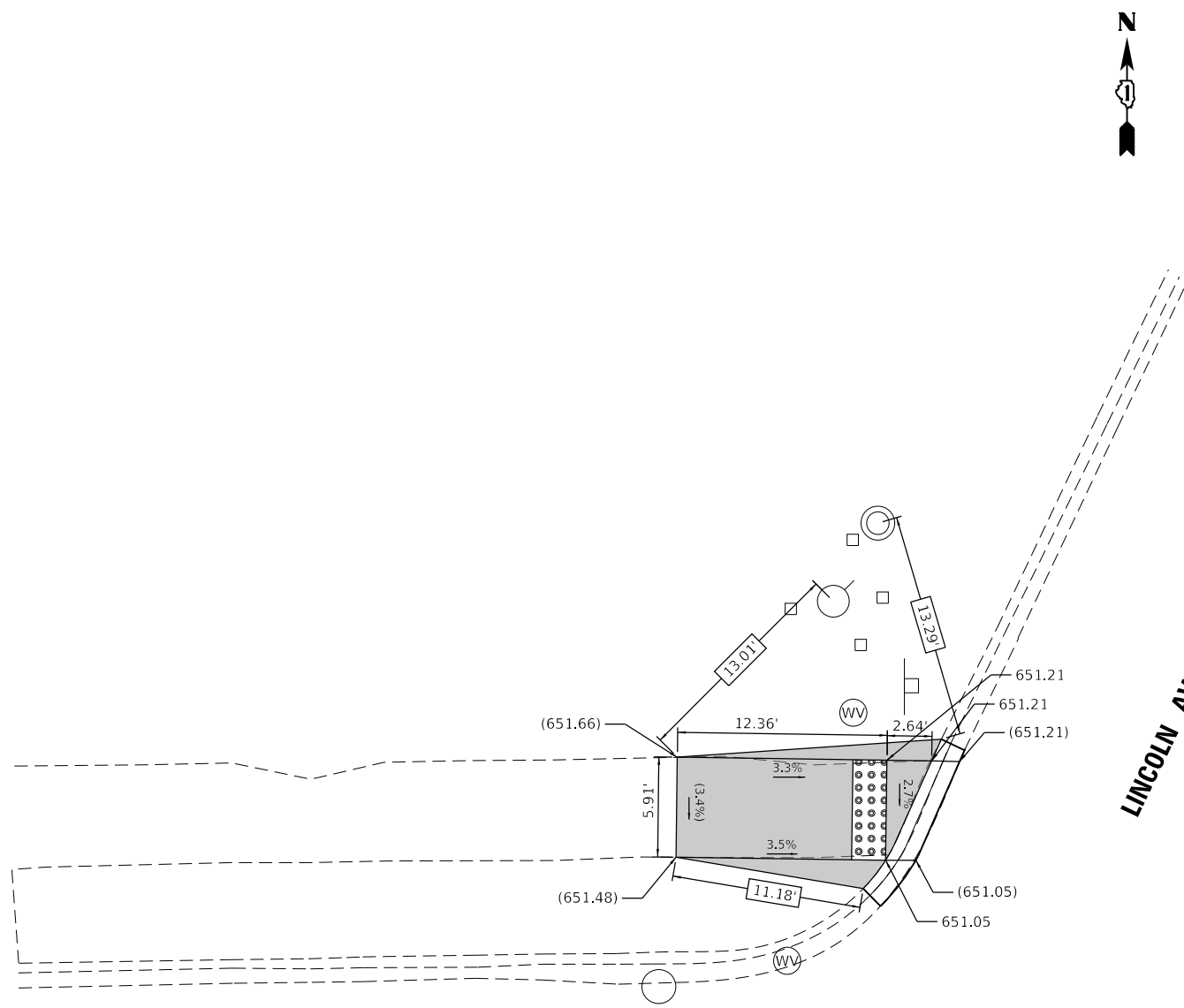
USER NAME = bhartma	DESIGNED - BDH	REVISED - AI 10-20-2021
PLOT SCALE = 10.0000' / in.	CHECKED -	REVISED -
PLOT DATE = 9/9/2021	DATE -	REVISED -

STATE OF ILLINOIS
 DEPARTMENT OF TRANSPORTATION

SIDEWALK DETAIL PLAN
US. ROUTE 30 - IL. ROUTE 394

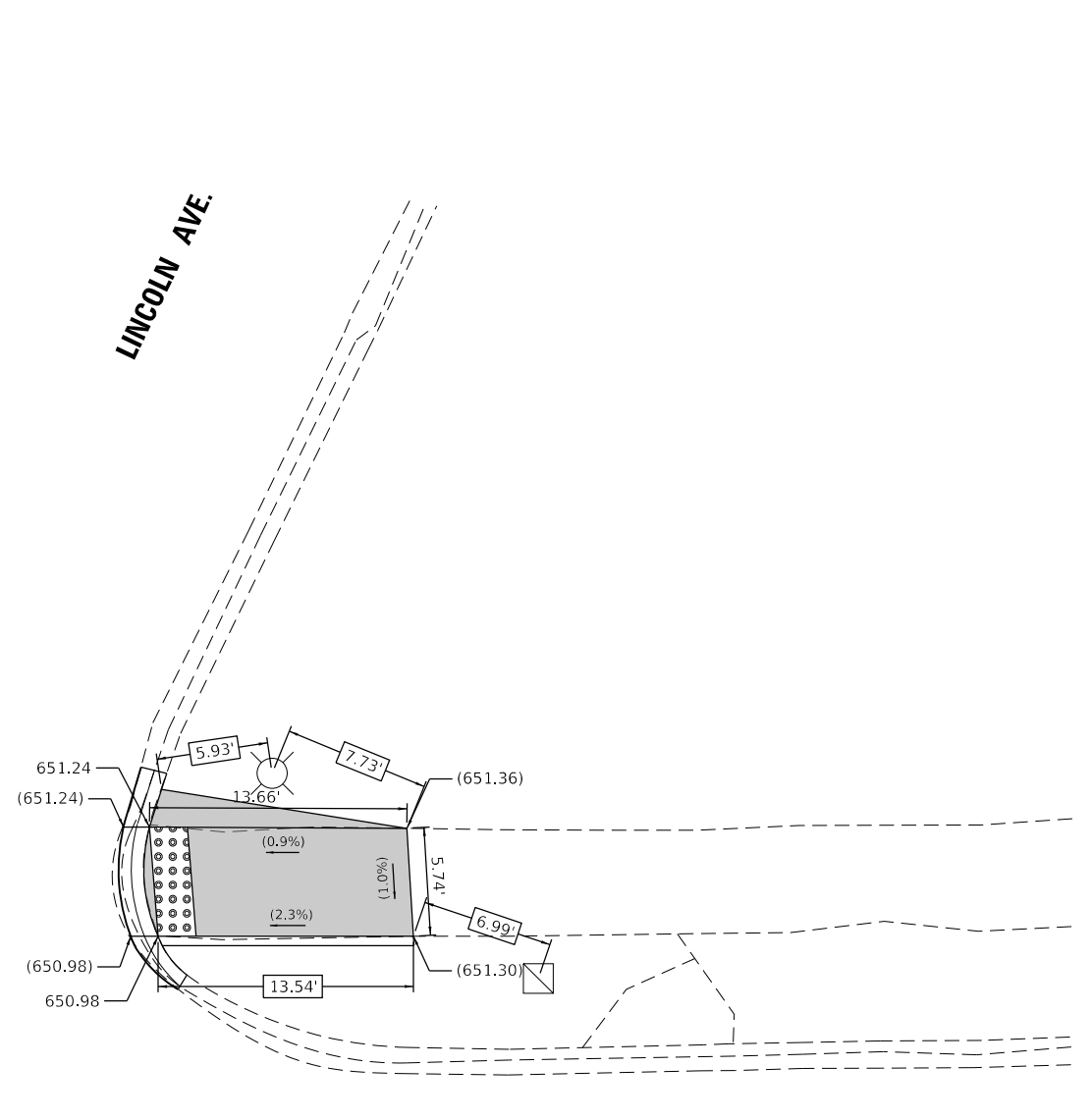
SCALE: 1"=5' SHEET 2 OF 18 SHEETS STA. TO STA.

F.A.P. RTE.	SECTION	COUNTY	TOTAL SHEETS	SHEET NO.
353	2020-106-R5&SW	COOK	41	14 B
CONTRACT NO. 62L84			ILLINOIS FED. AID PROJECT	



US. ROUTE 30

LINCOLN AVE.



US. ROUTE 30

LINCOLN AVE.

ENTIRE SHEET ADDED 10/25/2021

REFERENCE BENCHMARK ELEV. 653.66 (NAVD 88)
 BENCHMARK : SOUTH BOLT ON UPPER FLANGE OF HYDRANT
 LOCATION : NORTHWEST CORNER OF US ROUTE 30 AND LINCOLN AVE

LEGEND

- xx.xx' EXISTING LENGTH
- PROPOSED SIDE CURB
- () EXISTING ELEVATION/SLOPE
- PROPOSED SIDEWALK
- DETECTABLE WARNINGS
- SIDEWALK REMOVAL REPLACE W/ TOPSOIL & SOD

REFERENCE BENCHMARK ELEV. 653.66 (NAVD 88)
 BENCHMARK : SOUTH BOLT ON UPPER FLANGE OF HYDRANT
 LOCATION : NORTHWEST CORNER OF US ROUTE 30 AND LINCOLN AVE

HRG PROJECT NO.: 8650046.32
 HRG PROJ. CONTACT:
 FILE NAME: 082824_rswrmp-05.dgn
 PEN TABLE: 01010804.tbl



USER NAME = bhartma	DESIGNED - BDH	REVISED - AI 10-20-2021
PLOT SCALE = 10.0000' / in.	CHECKED -	REVISED -
PLOT DATE = 9/9/2021	DATE -	REVISED -

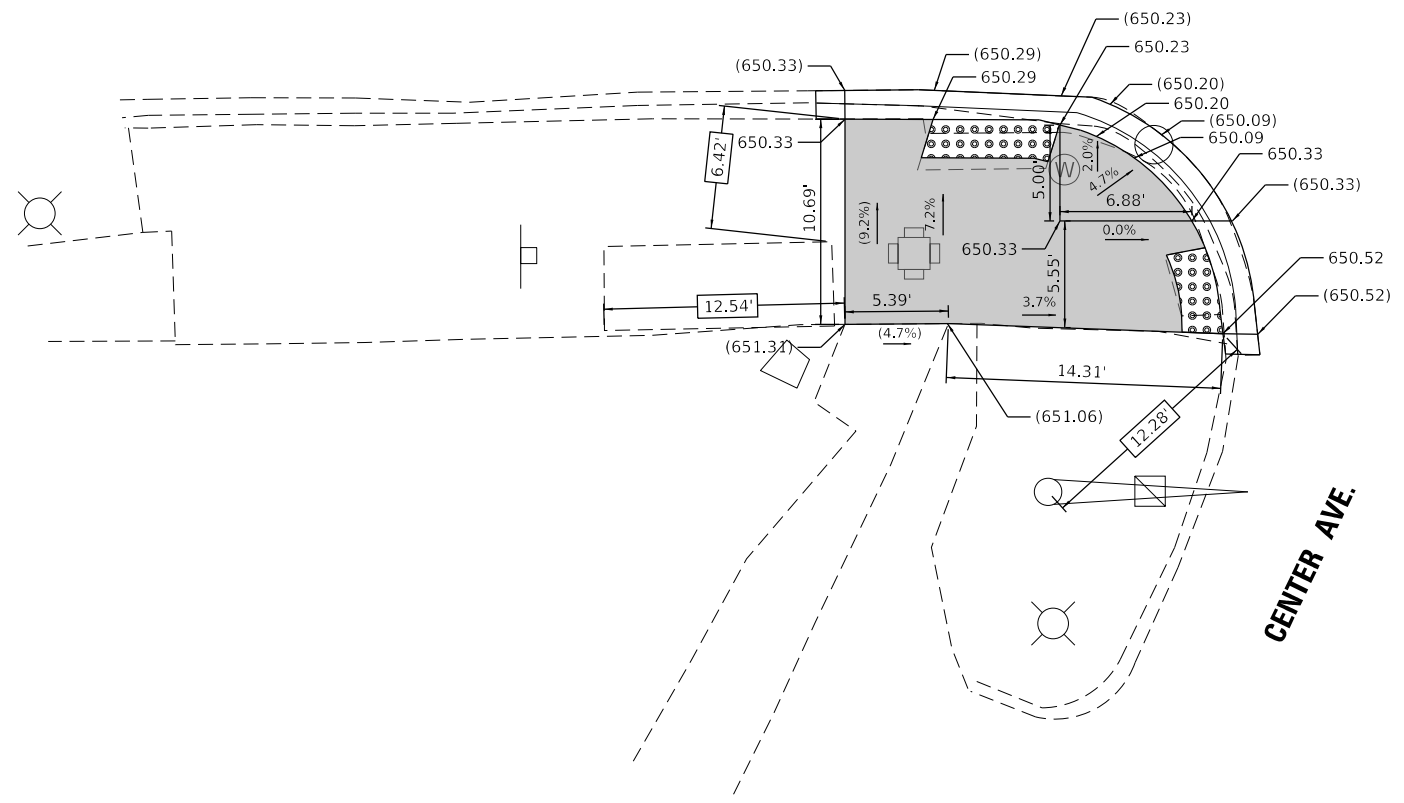
STATE OF ILLINOIS
 DEPARTMENT OF TRANSPORTATION

SIDEWALK DETAIL PLAN
US. ROUTE 30 - IL. ROUTE 394

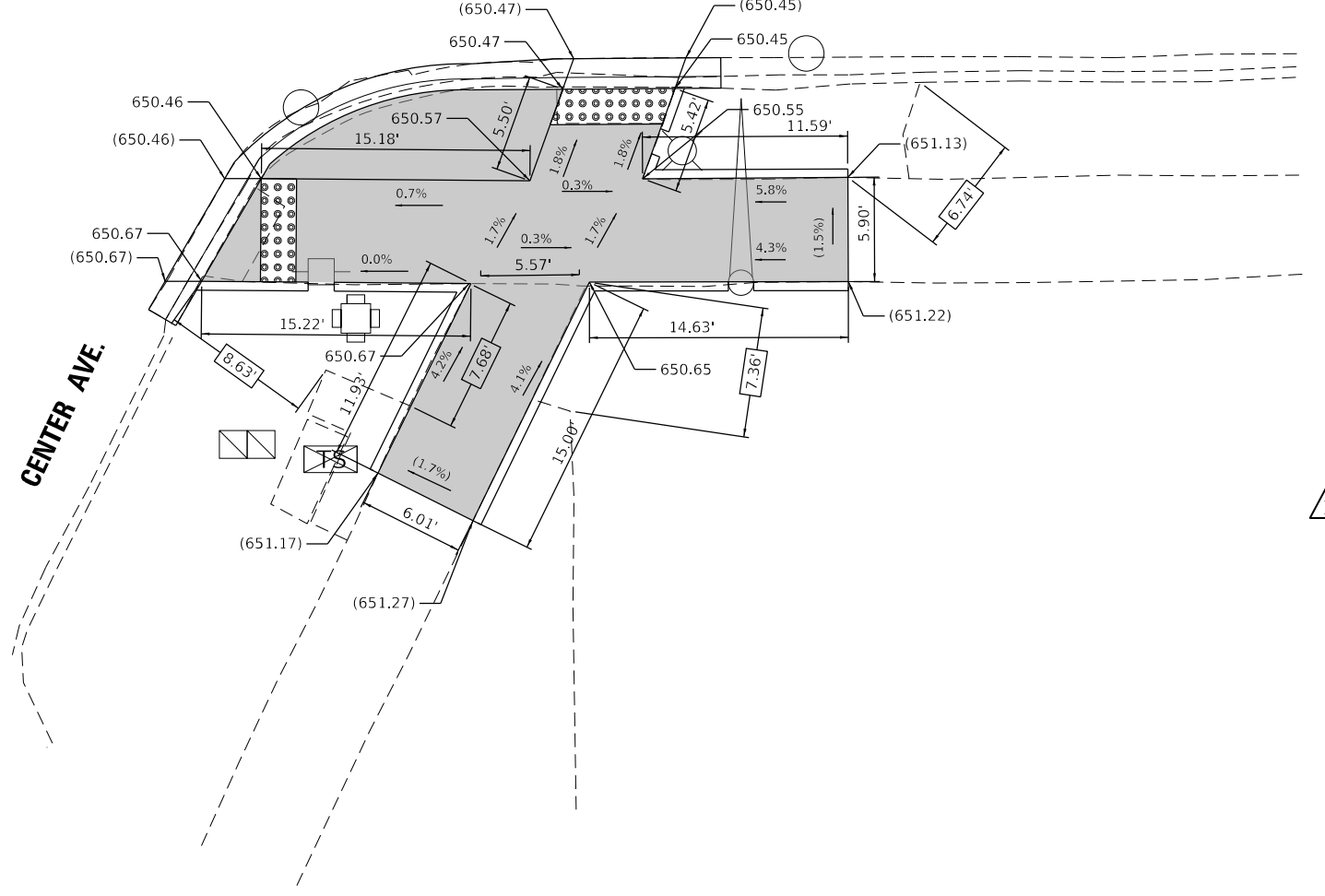
SCALE: 1"=5' SHEET 5 OF 18 SHEETS STA. TO STA.

F.A.P. RTE.	SECTION	COUNTY	TOTAL SHEETS	SHEET NO.
353	2020-106-R5&SW	COOK	41	14 E
CONTRACT NO. 62L84			ILLINOIS FED. AID PROJECT	

US. ROUTE 30



US. ROUTE 30



ENTIRE SHEET ADDED 10/25/2021

REFERENCE BENCHMARK ELEV. 651.93 (NAVD 88)

BENCHMARK : CHISELED SQUARE ON NORTHWEST CORNER OF CONCRETE SIGNAL CABINET BASE

LOCATION : SOUTHEAST CORNER OF US ROUTE 30 AND CENTER AVE

LEGEND

- xx.xx' EXISTING LENGTH
- PROPOSED SIDE CURB
- () EXISTING ELEVATION/SLOPE
- PROPOSED SIDEWALK
- DETECTABLE WARNINGS
- SIDEWALK REMOVAL REPLACE W/ TOPSOIL & SOD

REFERENCE BENCHMARK ELEV. 651.93 (NAVD 88)

BENCHMARK : CHISELED SQUARE ON NORTHWEST CORNER OF CONCRETE SIGNAL CABINET BASE

LOCATION : SOUTHEAST CORNER OF US ROUTE 30 AND CENTER AVE

HRG PROJECT NO: 8665046_32
 HRG PROJ CONTACT:
 FILE NAME: 086284_swrmp-06.dgn
 PEN TABLE: 010106.dtl



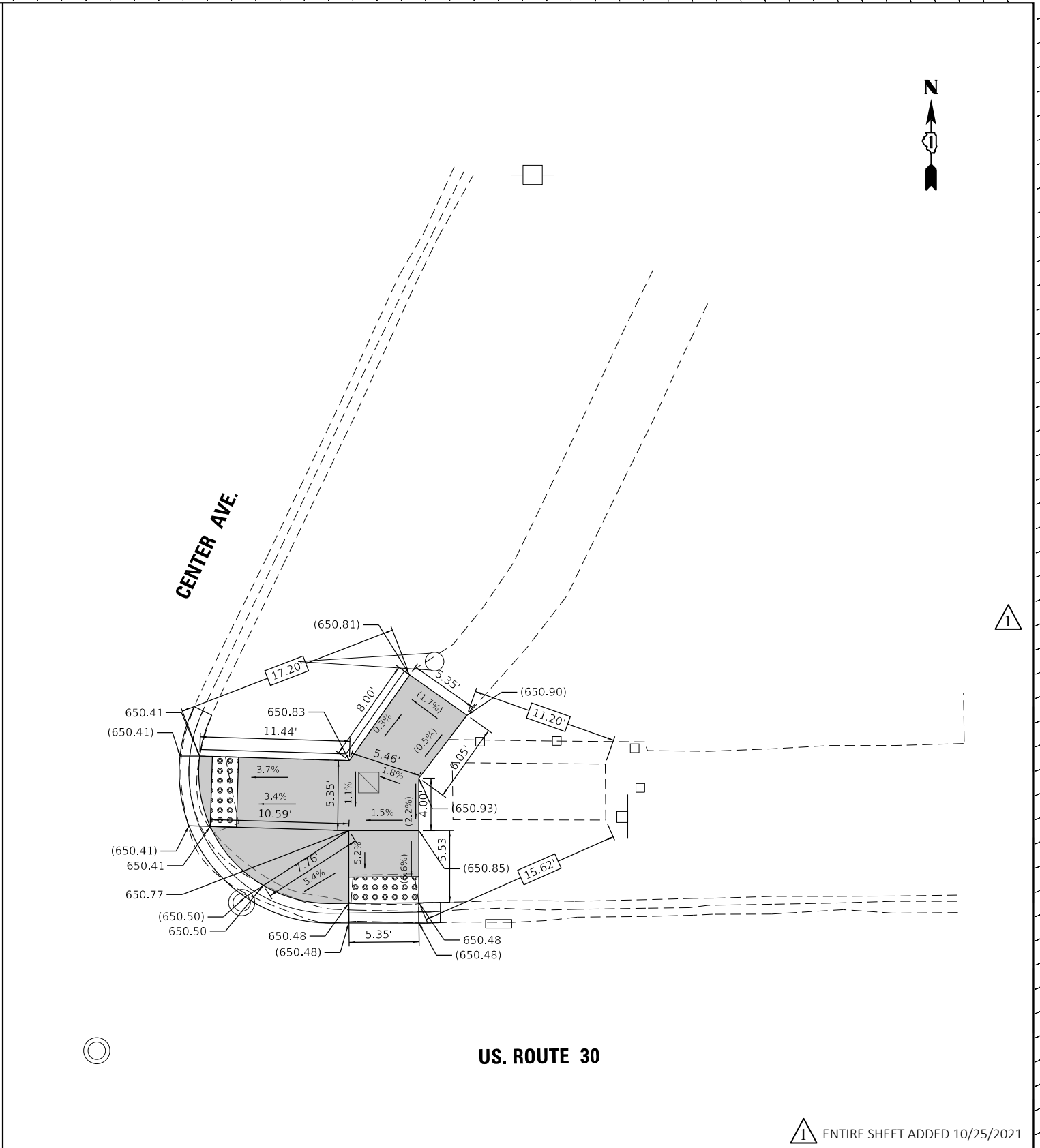
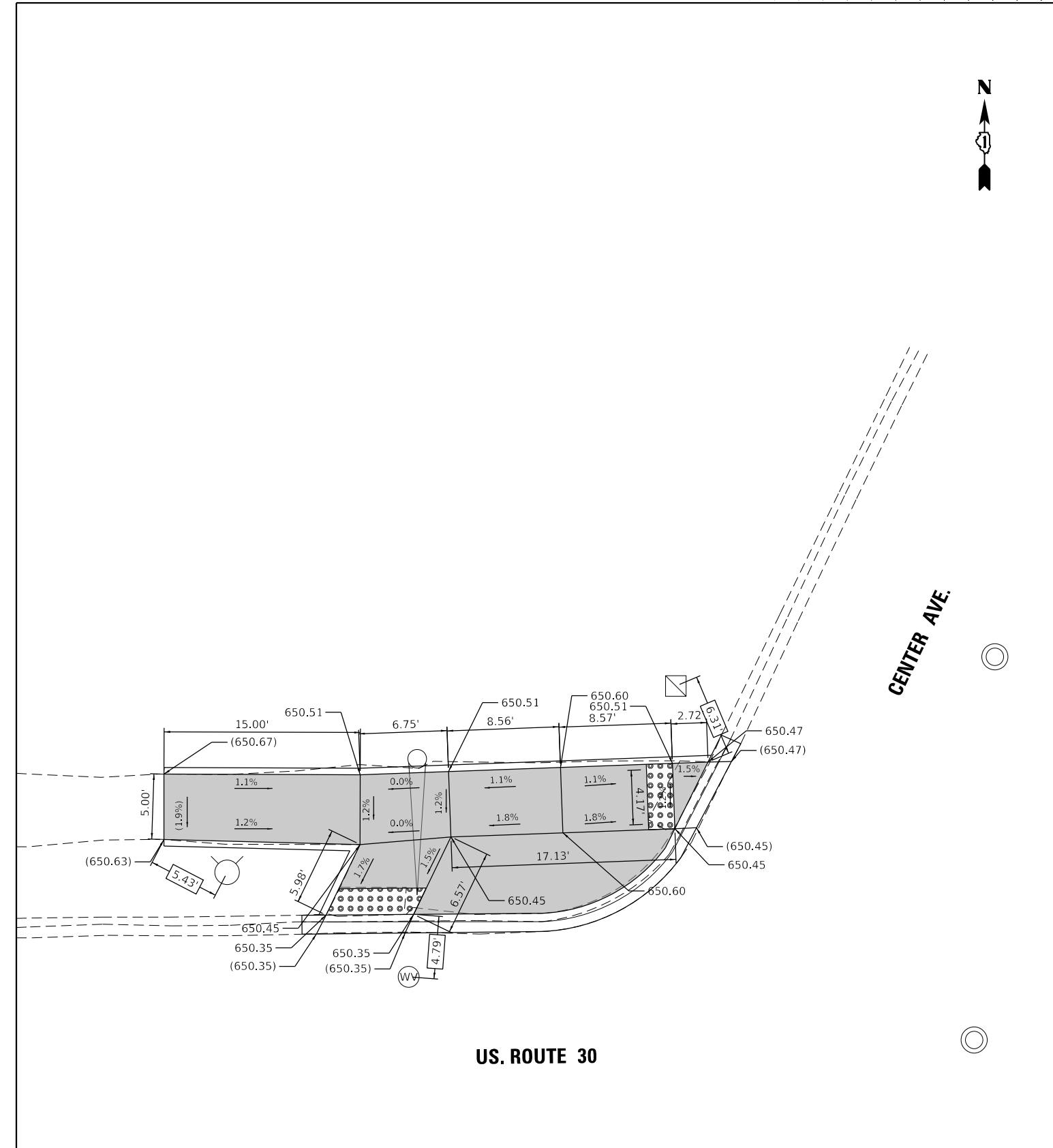
USER NAME = bhartma	DESIGNED - BDH	REVISED - AI 10-20-2021
PLOT SCALE = 10.0000' / in.	CHECKED -	REVISED -
PLOT DATE = 9/9/2021	DATE -	REVISED -

STATE OF ILLINOIS
DEPARTMENT OF TRANSPORTATION

SIDEWALK DETAIL PLAN
US. ROUTE 30 - IL. ROUTE 394

SCALE: 1"=5' SHEET 6 OF 18 SHEETS STA. TO STA.

F.A.P. RTE.	SECTION	COUNTY	TOTAL SHEETS	SHEET NO.
353	2020-106-R5&SW	COOK	41	14 F
ILLINOIS FED. AID PROJECT			CONTRACT NO. 62L84	



ENTIRE SHEET ADDED 10/25/2021

REFERENCE BENCHMARK ELEV. 651.93 (NAVD 88)

BENCHMARK : CHISELED SQUARE ON NORTHWEST CORNER OF CONCRETE SIGNAL CABINET BASE

LOCATION : SOUTHEAST CORNER OF US ROUTE 30 AND CENTER AVE

LEGEND

- xx.xx' EXISTING LENGTH
- PROPOSED SIDE CURB
- () EXISTING ELEVATION/SLOPE
- PROPOSED SIDEWALK
- DETECTABLE WARNINGS
- SIDEWALK REMOVAL REPLACE W/ TOPSOIL & SOD

REFERENCE BENCHMARK ELEV. 651.93 (NAVD 88)

BENCHMARK : CHISELED SQUARE ON NORTHWEST CORNER OF CONCRETE SIGNAL CABINET BASE

LOCATION : SOUTHEAST CORNER OF US ROUTE 30 AND CENTER AVE

HRG PROJECT NO.: 86650046.32
 HRG PROJ CONTACT:
 FILE NAME: 086284_swrmp-07.dgn
 PEN TABLE: 010106.dtl



USER NAME = bhartma	DESIGNED - BDH	REVISED - AI 10-20-2021
PLOT SCALE = 10.0000' / in.	DRAWN -	REVISED -
PLOT DATE = 9/9/2021	CHECKED -	REVISED -
	DATE -	REVISED -

STATE OF ILLINOIS
DEPARTMENT OF TRANSPORTATION

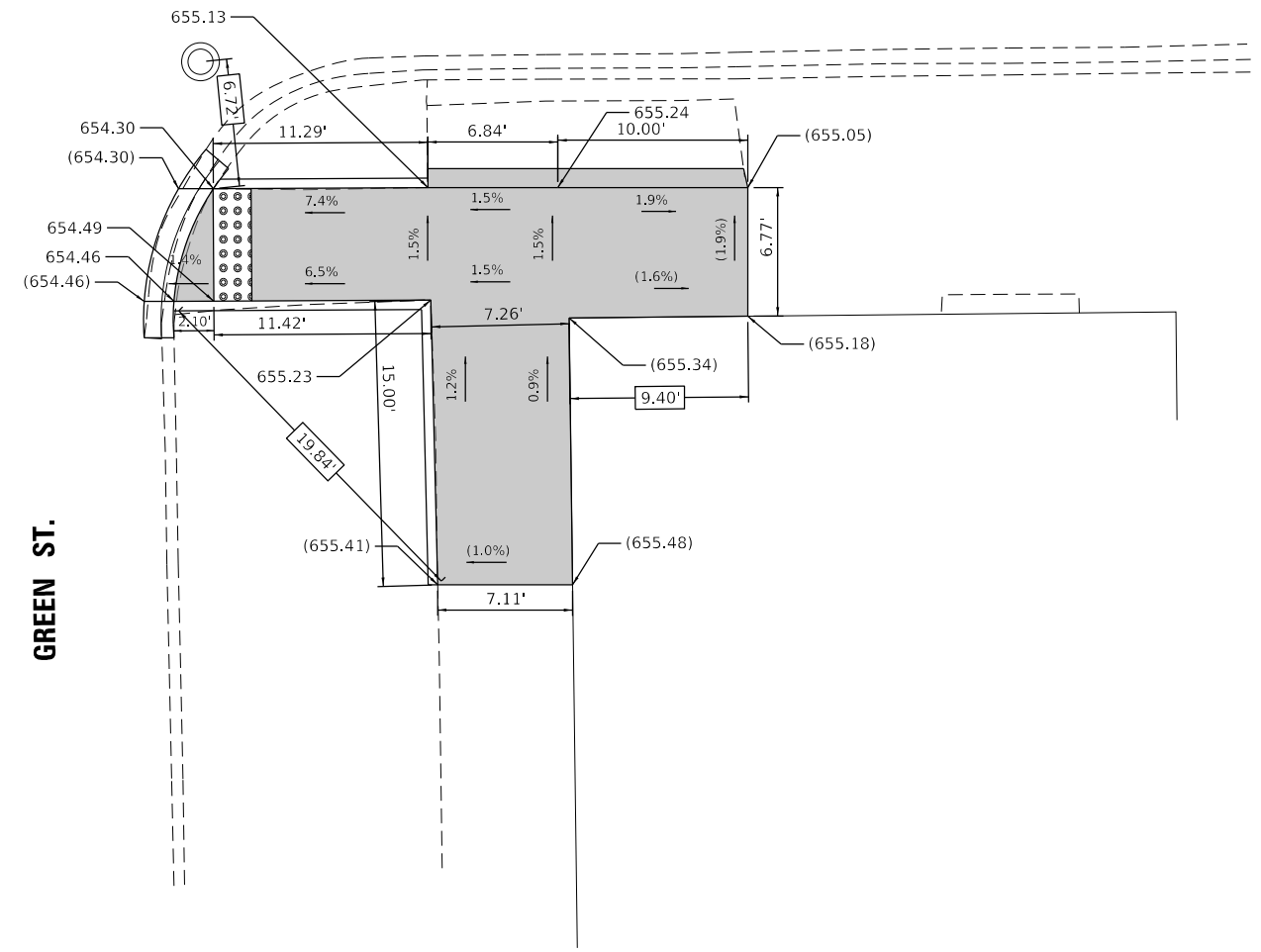
**SIDEWALK DETAIL PLAN
US. ROUTE 30 - IL. ROUTE 394**

SCALE: 1"=5' SHEET 7 OF 18 SHEETS STA. TO STA.

F.A.P. RTE.	SECTION	COUNTY	TOTAL SHEETS	SHEET NO.
353	2020-106-R5&SW	COOK	41	14 G
CONTRACT NO. 62L84			ILLINOIS FED. AID PROJECT	



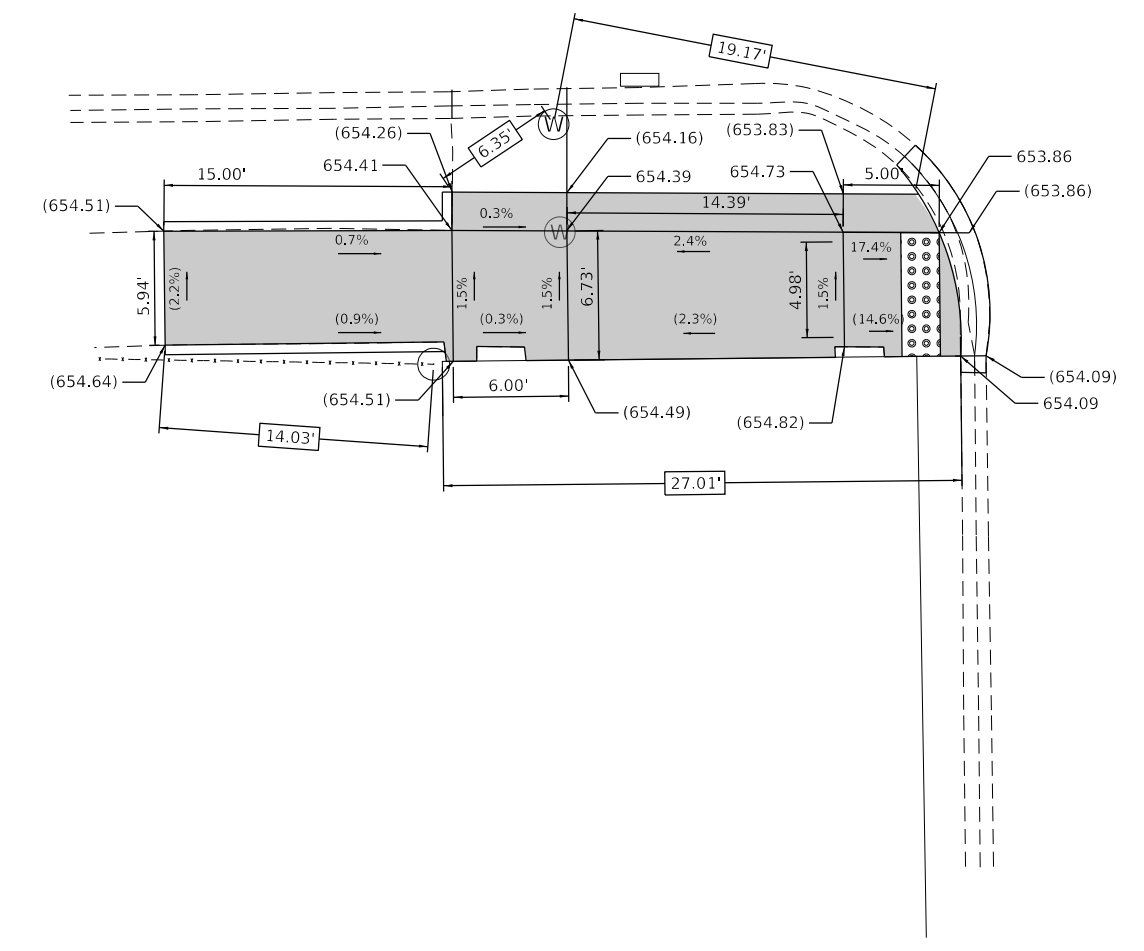
US. ROUTE 30



GREEN ST.



US. ROUTE 30



SHIELDS AVE.

ENTIRE SHEET ADDED 10/25/2021

REFERENCE BENCHMARK ELEV. 656.54 (NAVD 88)
 BENCHMARK : NORTHEAST BOLT ON UPPER FLANGE OF HYDRANT
 LOCATION : NORWEST CORNER OF US ROUTE 30 AND GREEN ST

LEGEND

- XX.XX' EXISTING LENGTH
- PROPOSED SIDE CURB
- () EXISTING ELEVATION/SLOPE
- PROPOSED SIDEWALK
- DETECTABLE WARNINGS
- SIDEWALK REMOVAL REPLACE W/ TOPSOIL & SOD

REFERENCE BENCHMARK ELEV. 654.97 (NAVD 88)
 BENCHMARK : NORTHEAST BOLT ON UPPER FLANGE OF HYDRANT
 LOCATION : NORTHEAST CORNER OF US ROUTE 30 AND SHIELDS AVE

HRG PROJECT NO: 8650046.32
 HRG PROJ CONTACT:
 FILE NAME: 082224_SWRamp-08.dgn
 PEN TABLE: 010108.dtl



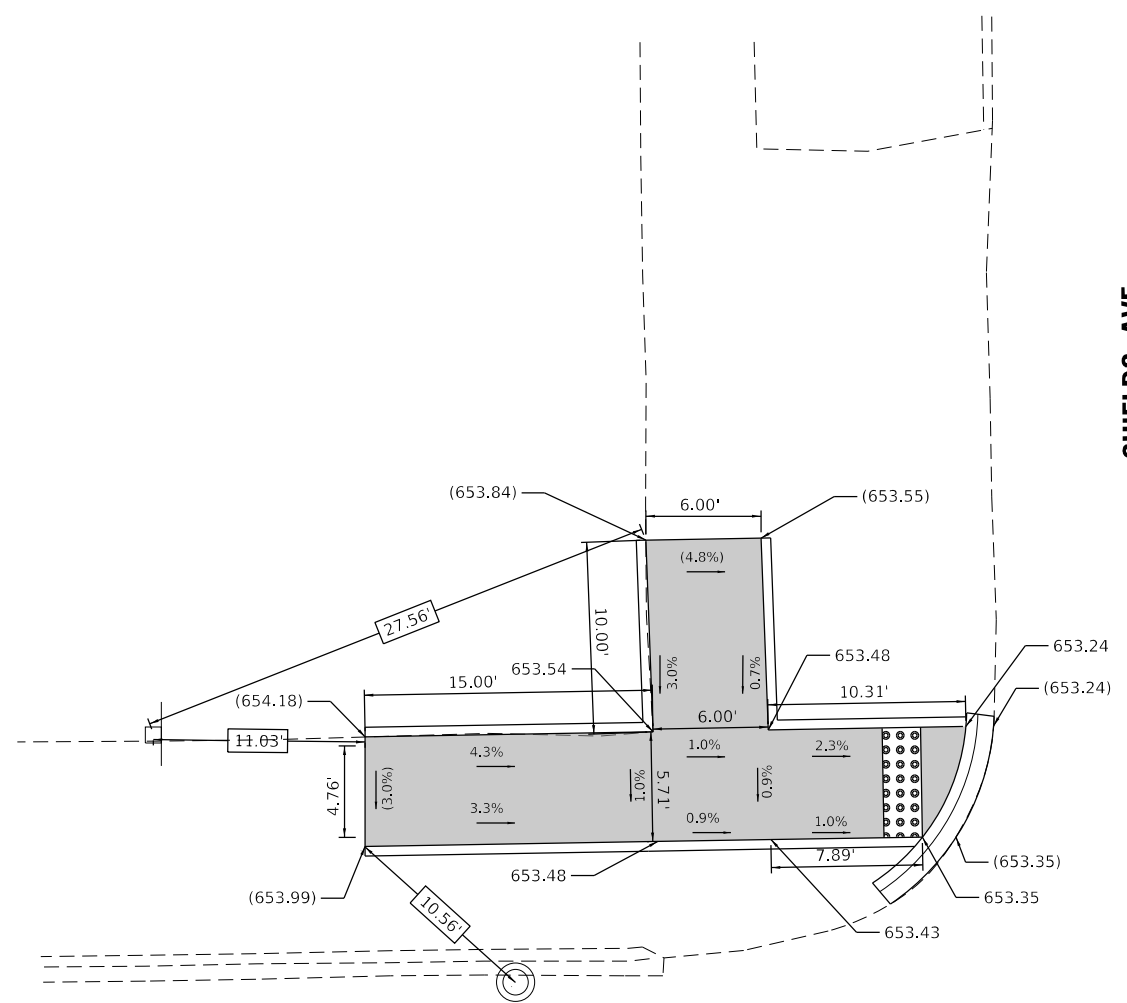
USER NAME = bhartma	DESIGNED - BDH	REVISED - AI 10-20-2021
PLOT SCALE = 10.0000' / in.	CHECKED -	REVISED -
PLOT DATE = 9/9/2021	DATE -	REVISED -

STATE OF ILLINOIS
 DEPARTMENT OF TRANSPORTATION

SIDEWALK DETAIL PLAN US. ROUTE 30 - IL. ROUTE 394

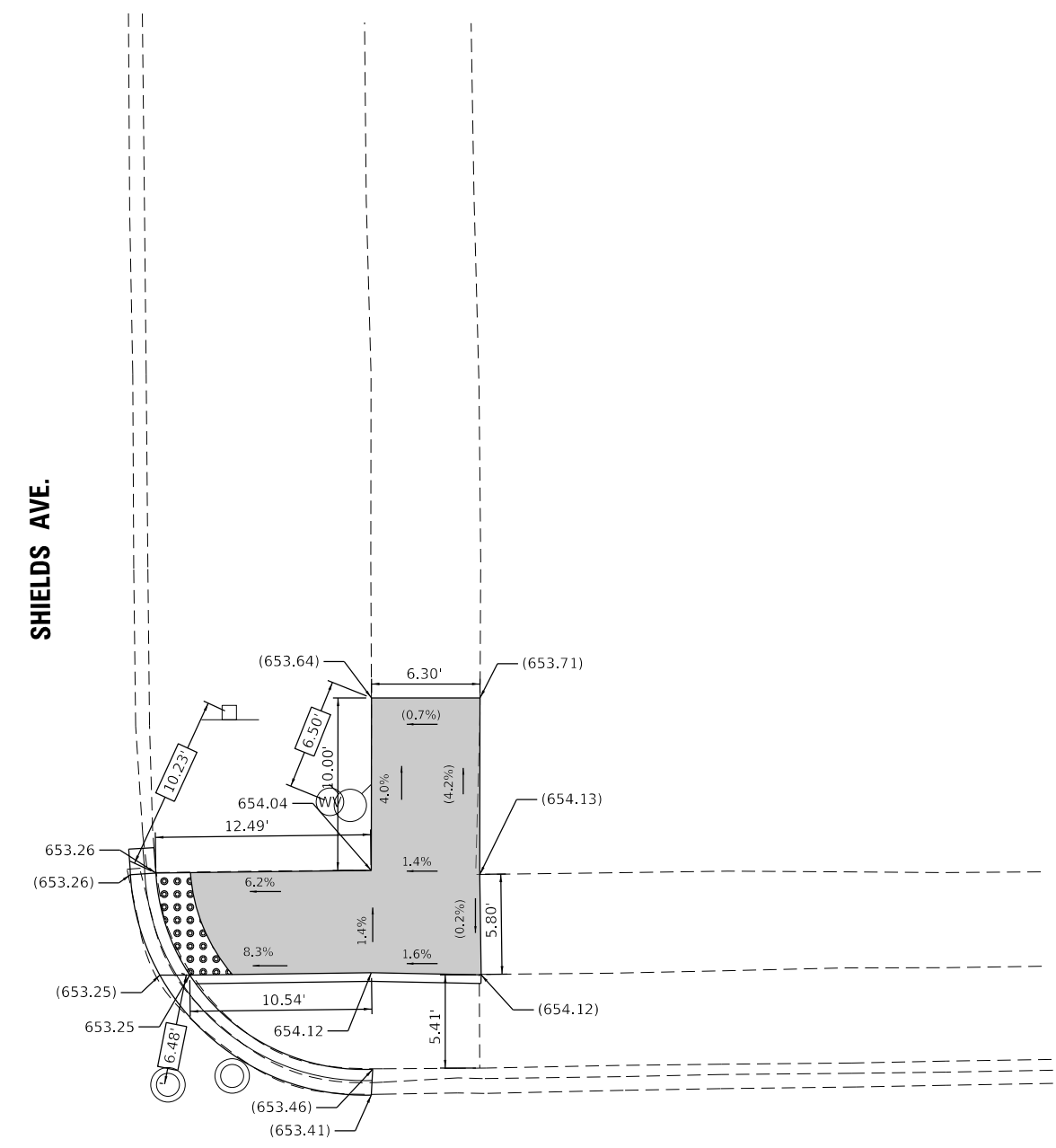
SCALE: 1"=5' SHEET 8 OF 18 SHEETS STA. TO STA.

F.A.P. RTE. 353	SECTION 2020-106-R5&SW	COUNTY COOK	TOTAL SHEETS 41	SHEET NO. 14 H
ILLINOIS FED. AID PROJECT			CONTRACT NO. 62L84	



US. ROUTE 30

SHIELDS AVE.



US. ROUTE 30

SHIELDS AVE.

ENTIRE SHEET ADDED 10/25/2021

REFERENCE BENCHMARK ELEV. 654.97 (NAVD 88)
 BENCHMARK : NORTHEAST BOLT ON UPPER FLANGE OF HYDRANT
 LOCATION : NORTHEAST CORNER OF US ROUTE 30 AND SHIELDS AVE

LEGEND

- XX.XX' EXISTING LENGTH
- PROPOSED SIDE CURB
- EXISTING ELEVATION/SLOPE
- PROPOSED SIDEWALK
- DETECTABLE WARNINGS
- SIDEWALK REMOVAL REPLACE W/ TOPSOIL & SOD

REFERENCE BENCHMARK ELEV. 654.97 (NAVD 88)
 BENCHMARK : NORTHEAST BOLT ON UPPER FLANGE OF HYDRANT
 LOCATION : NORTHEAST CORNER OF US ROUTE 30 AND SHIELDS AVE

HRG PROJECT NO: 8650046.32
 HRG PROJ CONTACT:
 FILE NAME: 086284_swramp-03.dgn
 PEN TABLE: 010106.dtl



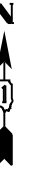
USER NAME = bhartma	DESIGNED - BDH	REVISED - AI 10-20-2021
PLOT SCALE = 10.0000' / in.	CHECKED -	REVISED -
PLOT DATE = 9/9/2021	DATE -	REVISED -

**STATE OF ILLINOIS
 DEPARTMENT OF TRANSPORTATION**

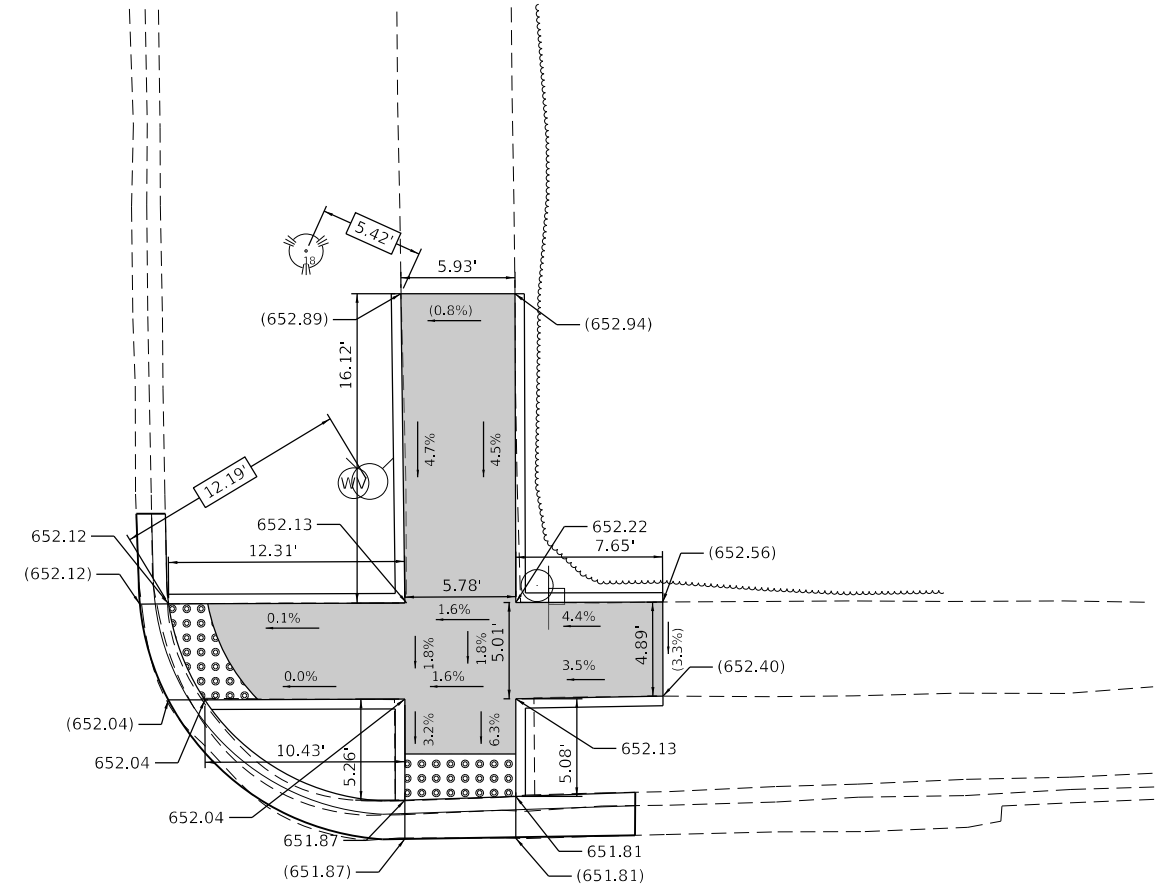
**SIDEWALK DETAIL PLAN
 US. ROUTE 30 - IL. ROUTE 394**

SCALE: 1"=5' SHEET 9 OF 18 SHEETS STA. TO STA.

F.A.P. RTE.	SECTION	COUNTY	TOTAL SHEETS	SHEET NO.
353	2020-106-R5&SW	COOK	41	141
ILLINOIS FED. AID PROJECT			CONTRACT NO. 62L84	



PORTLAND AVE.



US. ROUTE 30

ENTIRE SHEET ADDED 10/25/2021

LEGEND

XX.XX'

EXISTING LENGTH



PROPOSED SIDE CURB

()

EXISTING ELEVATION/SLOPE



PROPOSED SIDEWALK



DETECTABLE WARNINGS



SIDEWALK REMOVAL
REPLACE W/ TOPSOIL & SOD

REFERENCE BENCHMARK ELEV. 654.97 (NAVD 88)

BENCHMARK : NORTHEAST BOLT ON UPPER FLANGE OF HYDRANT

LOCATION : NORTHEAST CORNER OF US ROUTE 30 AND SHIELDS AVE

HRG PROJECT NO: 8650046.32
HRG PROJ CONTACT:
FILE NAME: 082824_swrmp-1.dgn
PEN TABLE: 010106.dtl



USER NAME = bhartma	DESIGNED - BDH	REVISED - AI 10-20-2021
PLOT SCALE = 10.0000' / in.	CHECKED -	REVISED -
PLOT DATE = 9/9/2021	DATE -	REVISED -

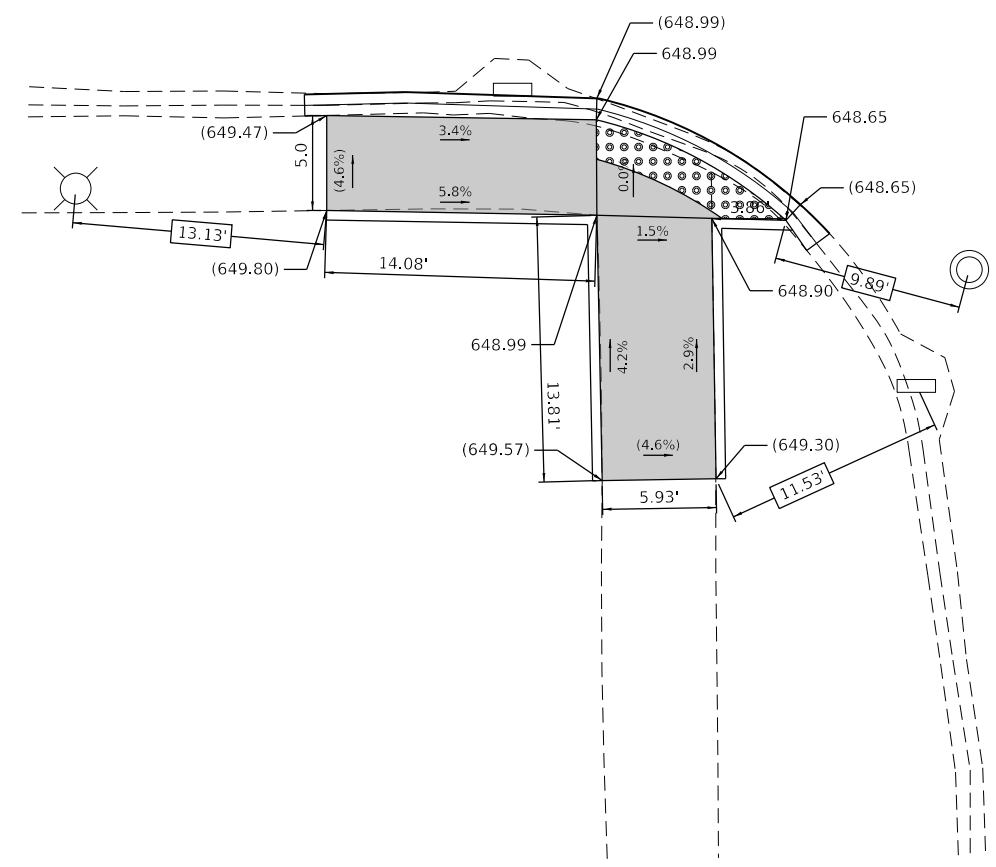
STATE OF ILLINOIS
DEPARTMENT OF TRANSPORTATION

SIDEWALK DETAIL PLAN
US. ROUTE 30 - IL. ROUTE 394

SCALE: 1"=5' SHEET 11 OF 18 SHEETS STA. TO STA.

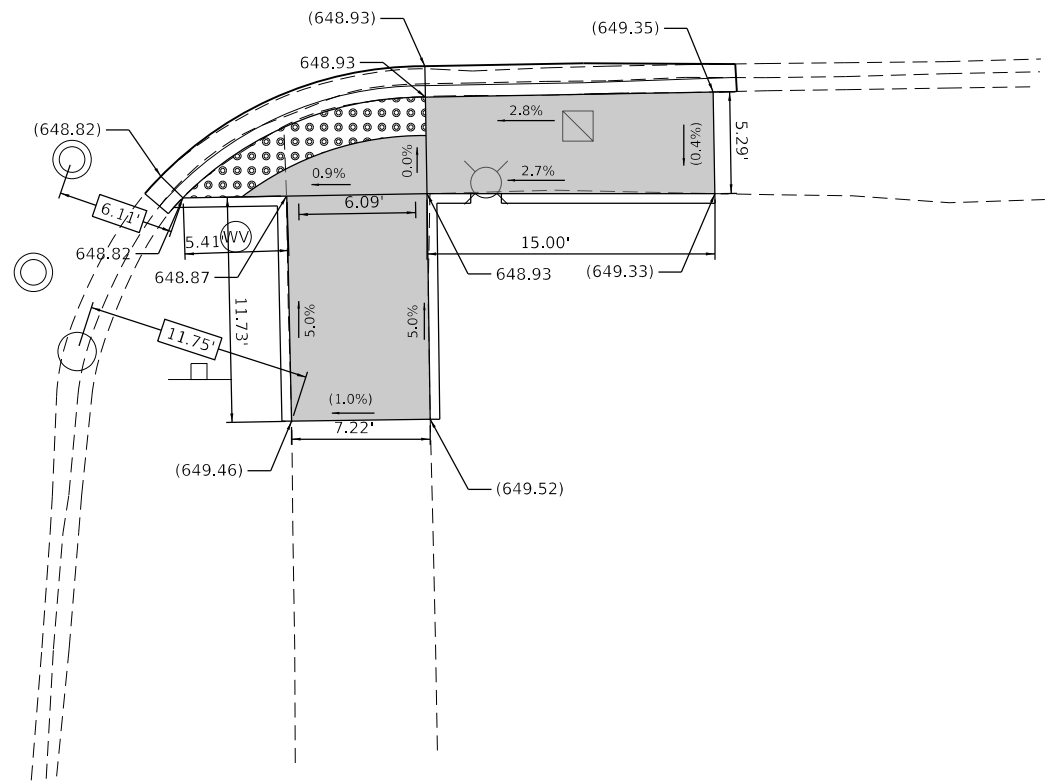
F.A.P. RTE.	SECTION	COUNTY	TOTAL SHEETS	SHEET NO.
353	2020-106-R5&SW	COOK	41	14 K
ILLINOIS FED. AID PROJECT			CONTRACT NO. 62L84	

US. ROUTE 30



FIFTH AVE.

US. ROUTE 30



FIFTH AVE.

▲ ENTIRE SHEET ADDED 10/25/2021

REFERENCE BENCHMARK ELEV. 650.30 (NAVD 88)
 BENCHMARK : NORTHEAST BOLT ON LIGHT POLE BASE
 LOCATION : SOUTHWEST CORNER OF US ROUTE 30 AND FIFTH AVE

LEGEND

- XX.XX' EXISTING LENGTH
- PROPOSED SIDE CURB
- () EXISTING ELEVATION/SLOPE
- PROPOSED SIDEWALK
- DETECTABLE WARNINGS
- SIDEWALK REMOVAL REPLACE W/ TOPSOIL & SOD

REFERENCE BENCHMARK ELEV. 650.30 (NAVD 88)
 BENCHMARK : NORTHEAST BOLT ON LIGHT POLE BASE
 LOCATION : SOUTHWEST CORNER OF US ROUTE 30 AND FIFTH AVE

HRG PROJECT NO: 86650046.32
 HRG PROJ CONTACT:
 FILE NAME: 082824.swhomp-12.dgn
 PEN TABLE: 010106.dtl



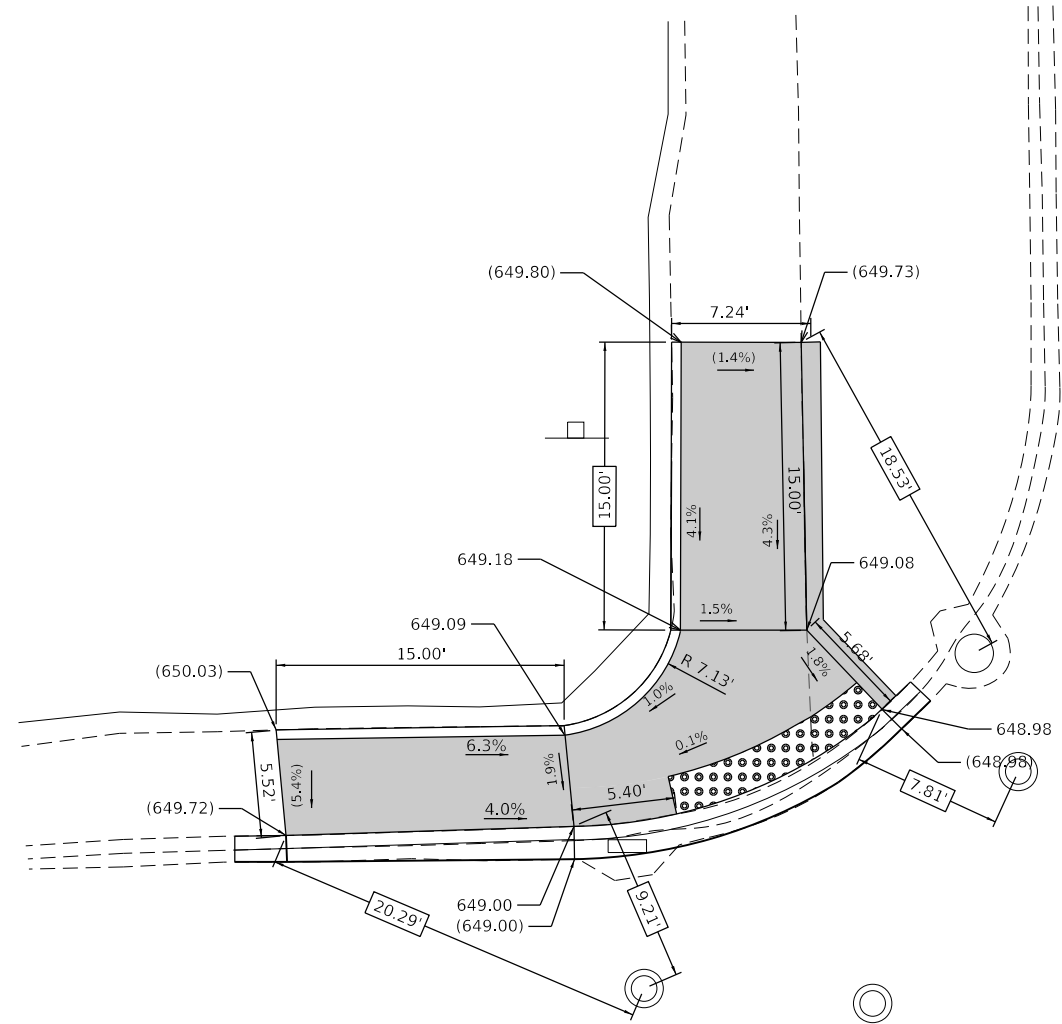
USER NAME = bhartma	DESIGNED - BDH	REVISED - AI 10-20-2021
PLOT SCALE = 10.0000' / in.	CHECKED -	REVISED -
PLOT DATE = 9/9/2021	DATE -	REVISED -

STATE OF ILLINOIS
 DEPARTMENT OF TRANSPORTATION

SIDEWALK DETAIL PLAN
US. ROUTE 30 - IL. ROUTE 394

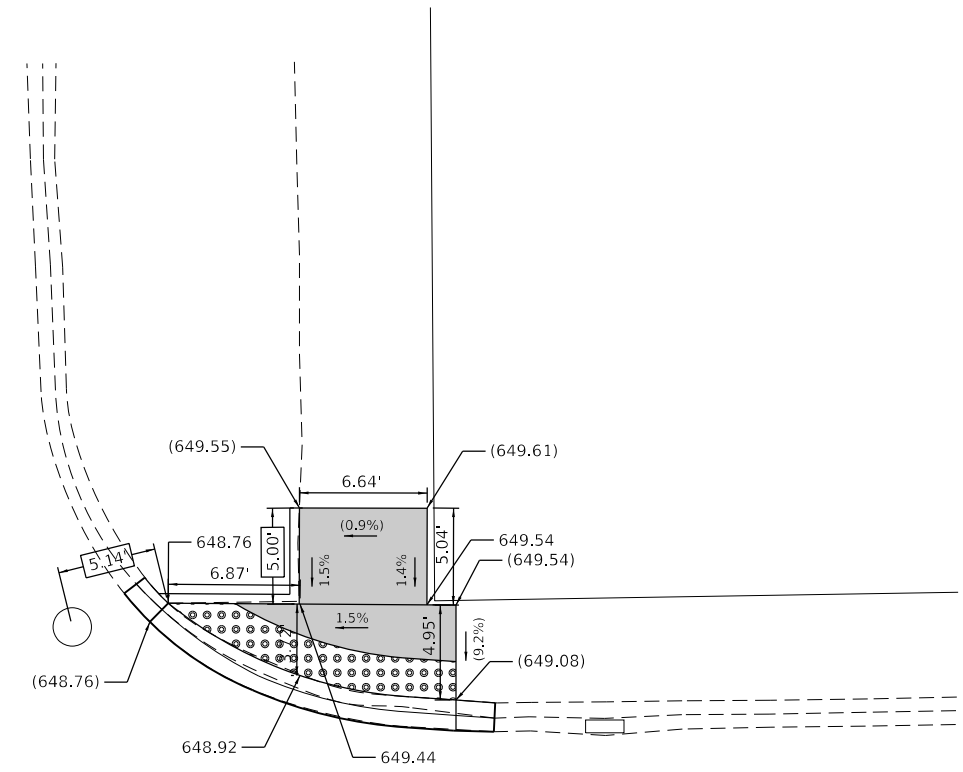
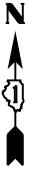
SCALE: 1"=5' SHEET 12 OF 18 SHEETS STA. TO STA.

F.A.P. RTE.	SECTION	COUNTY	TOTAL SHEETS	SHEET NO.
353	2020-106-R5&SW	COOK	41	14 L
CONTRACT NO. 62L84			ILLINOIS FED. AID PROJECT	



US. ROUTE 30

FIFTH AVE.



US. ROUTE 30

FIFTH AVE.

ENTIRE SHEET ADDED 10/25/2021

REFERENCE BENCHMARK ELEV. 650.30 (NAVD 88)
 BENCHMARK : NORTHEAST BOLT ON LIGHT POLE BASE
 LOCATION : SOUTHWEST CORNER OF US ROUTE 30 AND FIFTH AVE

LEGEND

- XX.XX' EXISTING LENGTH
- PROPOSED SIDE CURB
- () EXISTING ELEVATION/SLOPE
- PROPOSED SIDEWALK
- DETECTABLE WARNINGS
- SIDEWALK REMOVAL REPLACE W/ TOPSOIL & SOD

REFERENCE BENCHMARK ELEV. 650.30 (NAVD 88)
 BENCHMARK : NORTHEAST BOLT ON LIGHT POLE BASE
 LOCATION : SOUTHWEST CORNER OF US ROUTE 30 AND FIFTH AVE

HRG PROJECT NO: 8650046.32
 HRG PROJ CONTACT:
 FILE NAME: 082824_swrmp-15.dgn
 PEN TABLE: 010106.dtl



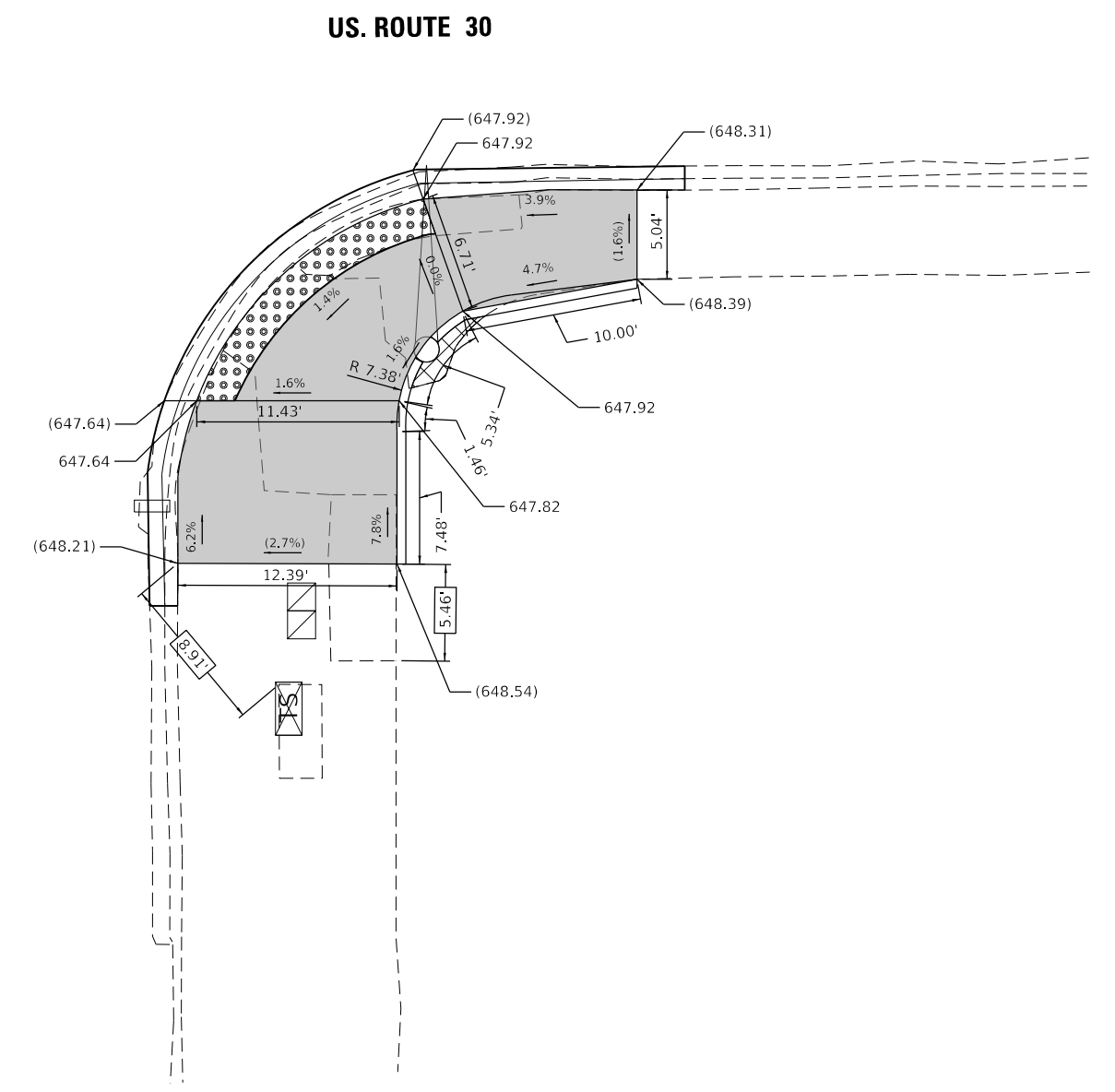
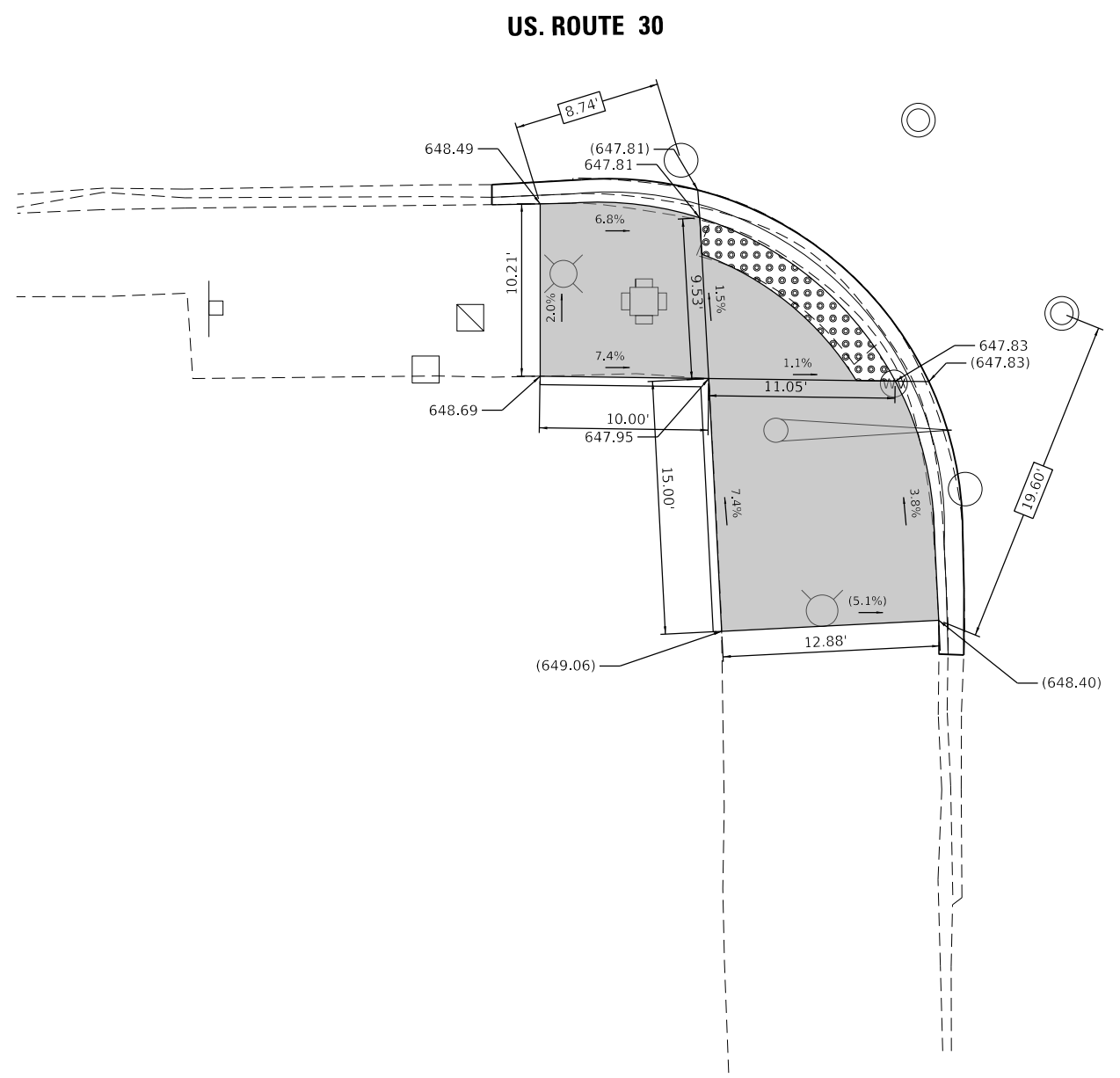
USER NAME = bhartma	DESIGNED - BDH	REVISED - AI 10-20-2021
PLOT SCALE = 10.0000' / in.	DRAWN -	REVISED -
PLOT DATE = 9/9/2021	CHECKED -	REVISED -
	DATE -	REVISED -

**STATE OF ILLINOIS
 DEPARTMENT OF TRANSPORTATION**

**SIDEWALK DETAIL PLAN
 US. ROUTE 30 - IL. ROUTE 394**

SCALE: 1"=5' SHEET 13 OF 18 SHEETS STA. TO STA.

F.A.P. RTE.	SECTION	COUNTY	TOTAL SHEETS	SHEET NO.
353	2020-106-R5&SW	COOK	41	14 M
CONTRACT NO. 62L84			ILLINOIS FED. AID PROJECT	



REFERENCE BENCHMARK ELEV. 651.31 (NAVD 88)
 BENCHMARK : NORTHEAST BOLT ON UPPER FLANGE OF HYDRANT
 LOCATION : SOUTHWEST CORNER OF US ROUTE 30 AND WENTWORTH AVE

LEGEND

- XX.XX' EXISTING LENGTH
- PROPOSED SIDE CURB
- () EXISTING ELEVATION/SLOPE
- PROPOSED SIDEWALK
- DETECTABLE WARNINGS
- SIDEWALK REMOVAL REPLACE W/ TOPSOIL & SOD

REFERENCE BENCHMARK ELEV. 651.31 (NAVD 88)
 BENCHMARK : NORTHEAST BOLT ON UPPER FLANGE OF HYDRANT
 LOCATION : SOUTHWEST CORNER OF US ROUTE 30 AND WENTWORTH AVE

1 ENTIRE SHEET ADDED 10/25/2021

HRG PROJECT NO: 8650046_32
 HRG PROJ CONTACT:
 FILE NAME: 082624_swramp-h.dgn
 PEN TABLE: 0101tbl.tbl



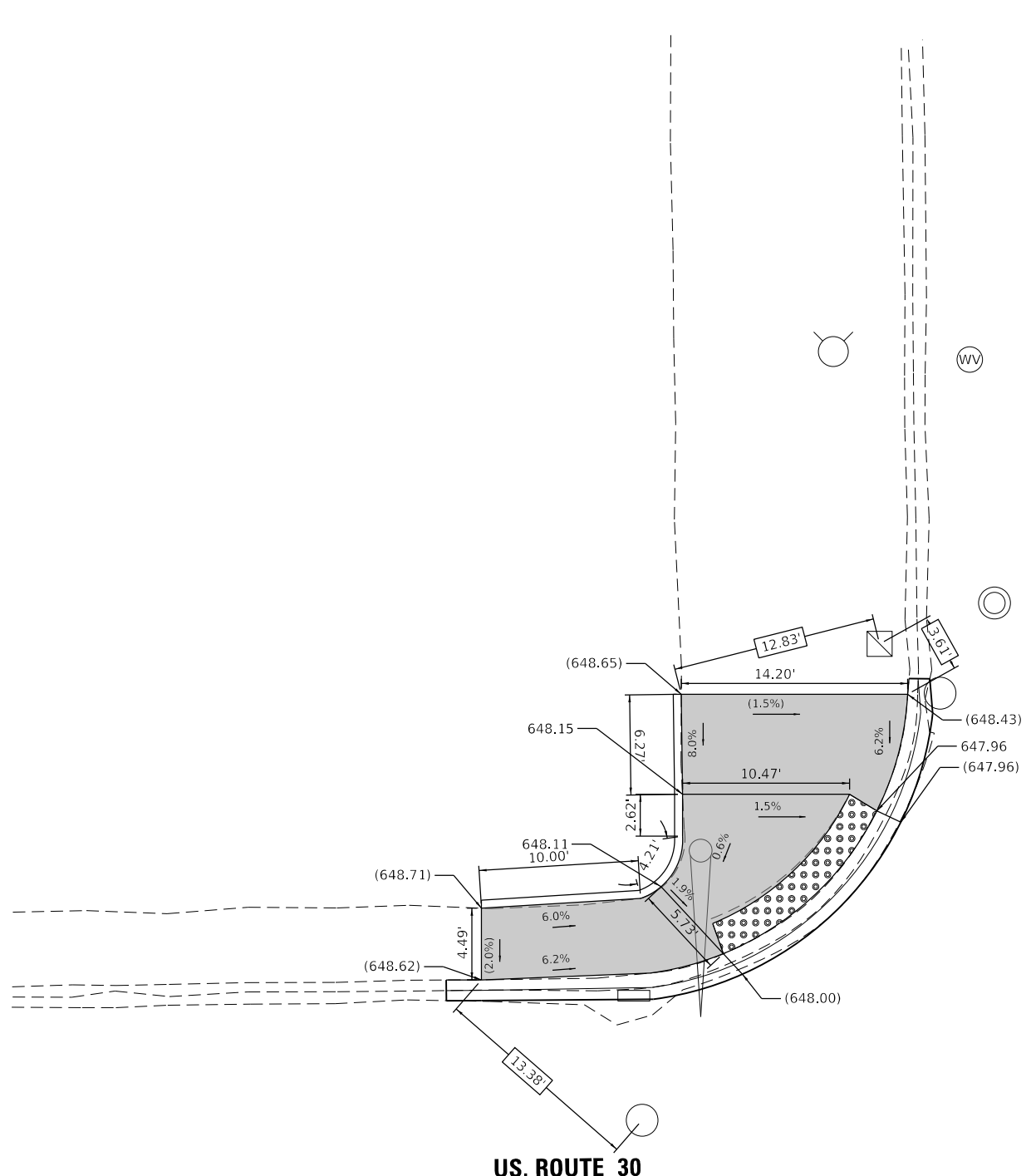
USER NAME = bhartma	DESIGNED - BDH	REVISED - AI 10-20-2021
PLOT SCALE = 10.0000' / in.	CHECKED -	REVISED -
PLOT DATE = 9/9/2021	DATE -	REVISED -

STATE OF ILLINOIS
 DEPARTMENT OF TRANSPORTATION

SIDEWALK DETAIL PLAN
US. ROUTE 30 - IL. ROUTE 394

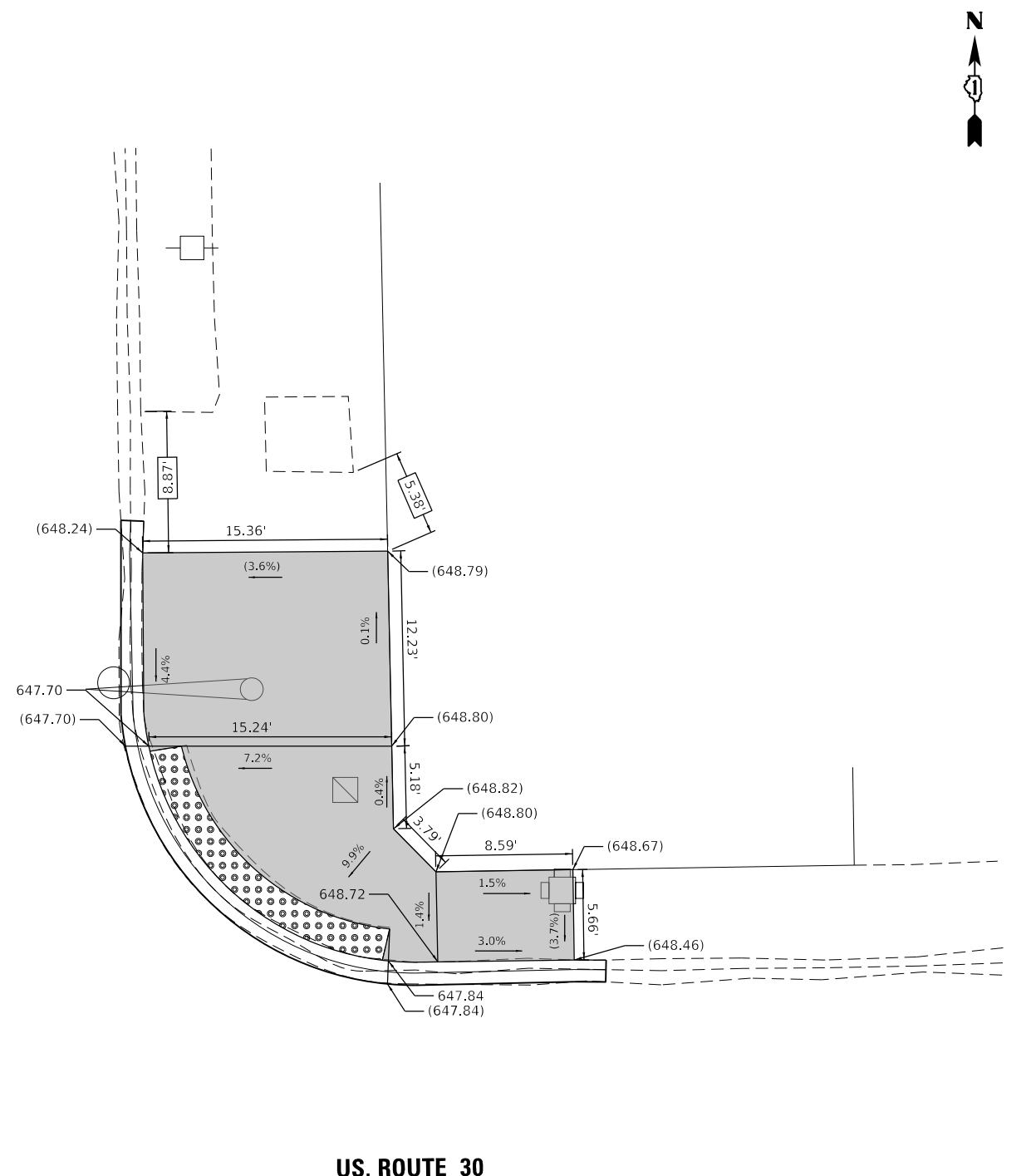
SCALE: 1"=5' SHEET 14 OF 18 SHEETS STA. TO STA.

F.A.P. RTE.	SECTION	COUNTY	TOTAL SHEETS	SHEET NO.
353	2020-106-R5&SW	COOK	41	14 N
ILLINOIS FED. AID PROJECT			CONTRACT NO. 62L84	



WENTWORTH AVE.

US. ROUTE 30



WENTWORTH AVE.

US. ROUTE 30

ENTIRE SHEET ADDED 10/25/2021

REFERENCE BENCHMARK ELEV. 651.31 (NAVD 88)
 BENCHMARK : NORTHEAST BOLT ON UPPER FLANGE OF HYDRANT
 LOCATION : SOUTHWEST CORNER OF US ROUTE 30 AND WENTWORTH AVE

LEGEND

- XX.XX' EXISTING LENGTH
- PROPOSED SIDE CURB
- () EXISTING ELEVATION/SLOPE
- PROPOSED SIDEWALK
- DETECTABLE WARNINGS
- SIDEWALK REMOVAL REPLACE W/ TOPSOIL & SOD

REFERENCE BENCHMARK ELEV. 651.31 (NAVD 88)
 BENCHMARK : NORTHEAST BOLT ON UPPER FLANGE OF HYDRANT
 LOCATION : SOUTHWEST CORNER OF US ROUTE 30 AND WENTWORTH AVE

HRG PROJECT NO: 8650046.32
 HRG PROJ CONTACT:
 FILE NAME: 082824_swrmp-15.dgn
 PEN TABLE: 010106.dtl



USER NAME = bhartma	DESIGNED - BDH	REVISED - AI 10-20-2021
PLOT SCALE = 10.0000' / in.	CHECKED -	REVISED -
PLOT DATE = 9/9/2021	DATE -	REVISED -

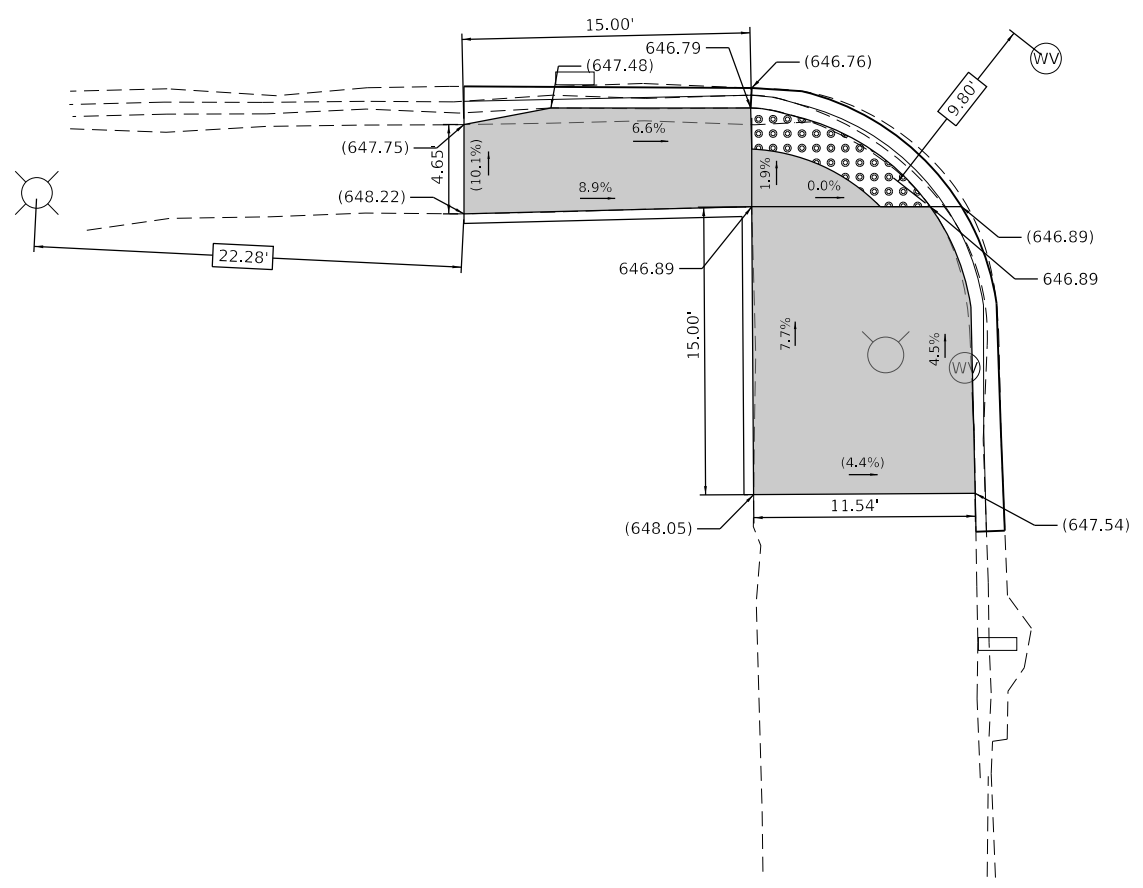
STATE OF ILLINOIS
 DEPARTMENT OF TRANSPORTATION

SIDEWALK DETAIL PLAN
US. ROUTE 30 - IL. ROUTE 394

SCALE: 1"=5' SHEET 15 OF 18 SHEETS STA. TO STA.

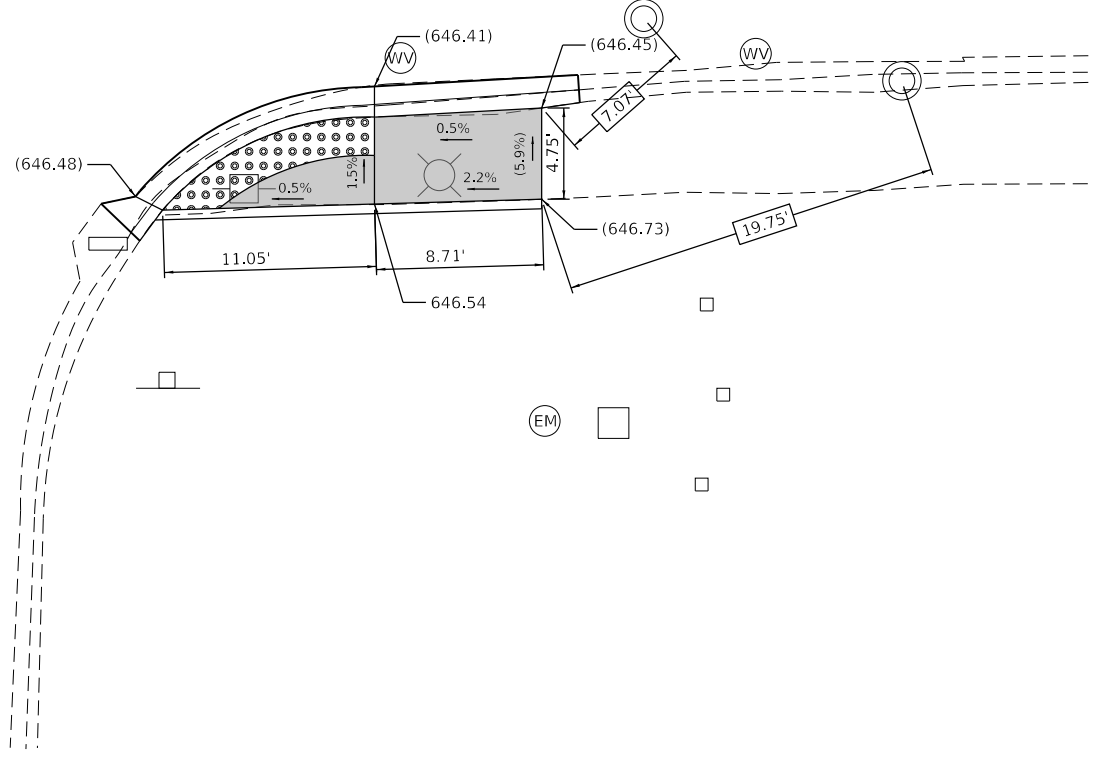
F.A.P. RTE.	SECTION	COUNTY	TOTAL SHEETS	SHEET NO.
353	2020-106-R5&SW	COOK	41	14 O
CONTRACT NO. 62L84			ILLINOIS FED. AID PROJECT	

US. ROUTE 30



ARNOLD ST.

US. ROUTE 30



ARNOLD ST.

ENTIRE SHEET ADDED 10/25/2021

REFERENCE BENCHMARK ELEV. 649.85 (NAVD 88)
 BENCHMARK : ARROW BOLT ON UPPER FLANGE OF HYDRANT
 LOCATION : SOUTHWEST CORNER OF US ROUTE 30 AND ARNOLD STAVE

LEGEND

- XX.XX' EXISTING LENGTH
- PROPOSED SIDE CURB
- () EXISTING ELEVATION/SLOPE
- PROPOSED SIDEWALK
- DETECTABLE WARNINGS
- SIDEWALK REMOVAL REPLACE W/ TOPSOIL & SOD

REFERENCE BENCHMARK ELEV. 649.85 (NAVD 88)
 BENCHMARK : ARROW BOLT ON UPPER FLANGE OF HYDRANT
 LOCATION : SOUTHWEST CORNER OF US ROUTE 30 AND ARNOLD STAVE

HRG PROJECT NO: 86650046.32
 HRG PROJ CONTACT:
 FILE NAME: 082224_r5&sw&mp-16.dgn
 PEN TABLE: 010106.dtl



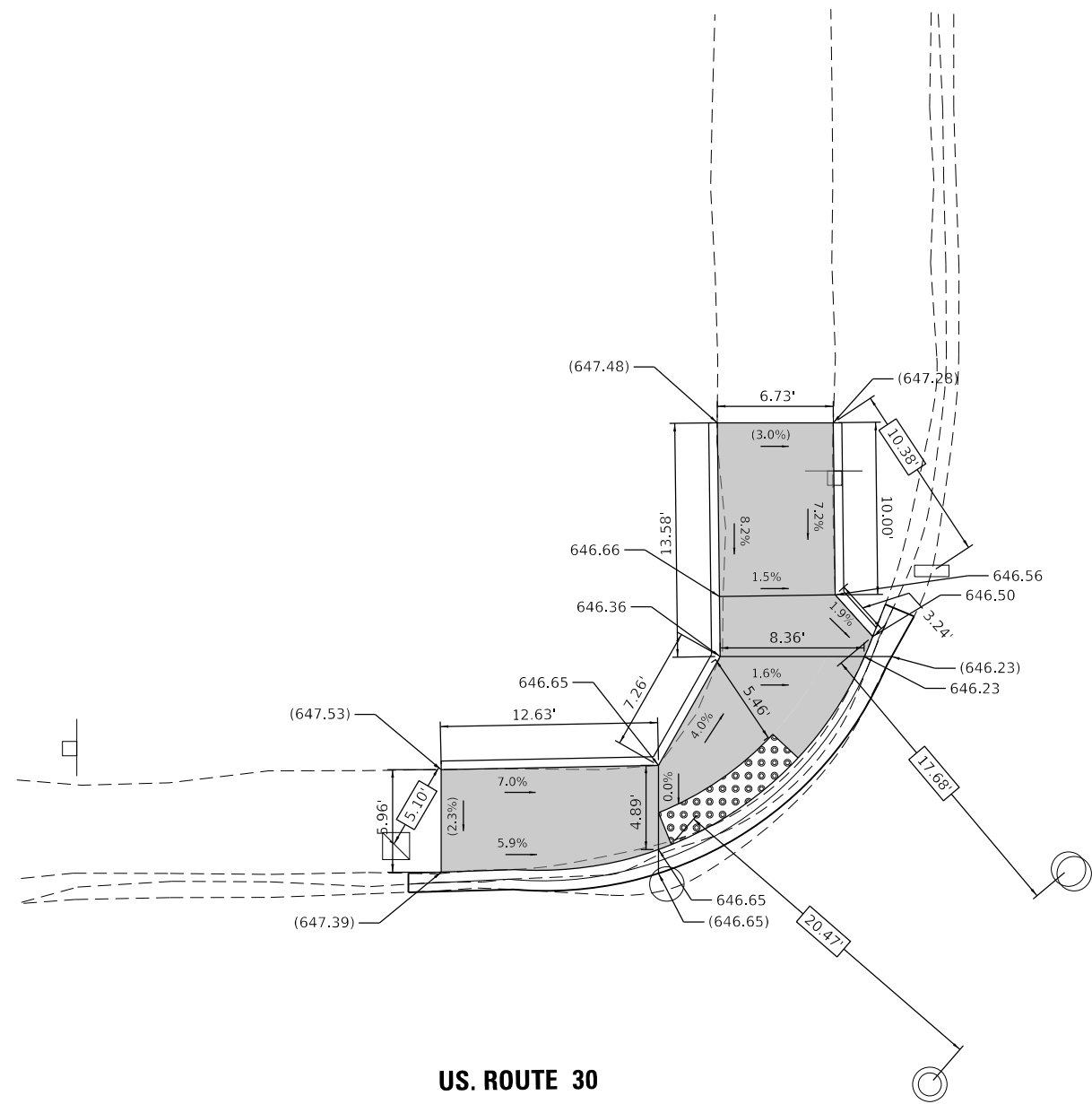
USER NAME = bhartma	DESIGNED - BDH	REVISED - AI 10-20-2021
PLOT SCALE = 10.0000' / in.	CHECKED -	REVISED -
PLOT DATE = 9/9/2021	DATE -	REVISED -

STATE OF ILLINOIS
 DEPARTMENT OF TRANSPORTATION

SIDEWALK DETAIL PLAN
US. ROUTE 30 - IL. ROUTE 394

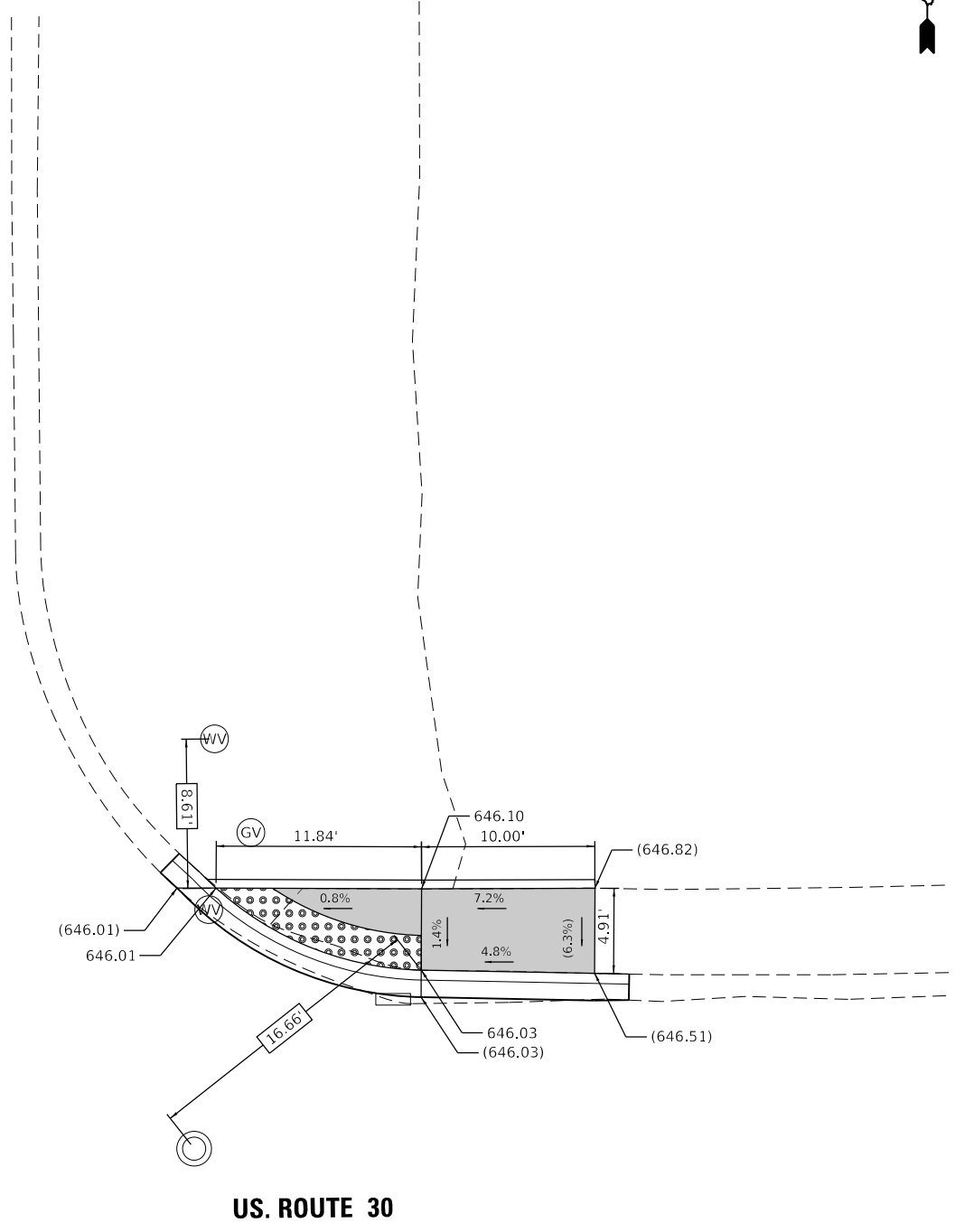
SCALE: 1"=5' SHEET 16 OF 18 SHEETS STA. TO STA.

F.A.P. RTE.	SECTION	COUNTY	TOTAL SHEETS	SHEET NO.
353	2020-106-R5&SW	COOK	41	14 P
CONTRACT NO. 62L84			ILLINOIS FED. AID PROJECT	



US. ROUTE 30

ARNOLD ST.



US. ROUTE 30

ARNOLD ST.

ENTIRE SHEET ADDED 10/25/2021

REFERENCE BENCHMARK ELEV. 649.85 (NAVD 88)
 BENCHMARK : ARROW BOLT ON UPPER FLANGE OF HYDRANT
 LOCATION : SOUTHWEST CORNER OF US ROUTE 30 AND ARNOLD ST.

LEGEND

- XX.XX' EXISTING LENGTH
- PROPOSED SIDE CURB
- () EXISTING ELEVATION/SLOPE
- PROPOSED SIDEWALK
- DETECTABLE WARNINGS
- SIDEWALK REMOVAL REPLACE W/ TOPSOIL & SOD

REFERENCE BENCHMARK ELEV. 649.85 (NAVD 88)
 BENCHMARK : ARROW BOLT ON UPPER FLANGE OF HYDRANT
 LOCATION : SOUTHWEST CORNER OF US ROUTE 30 AND ARNOLD ST.

HRG PROJECT NO: 8650046.32
 HRG PROJ CONTACT:
 FILE NAME: 082824_swramp-17.dgn
 PEN TABLE: 010106.dtl



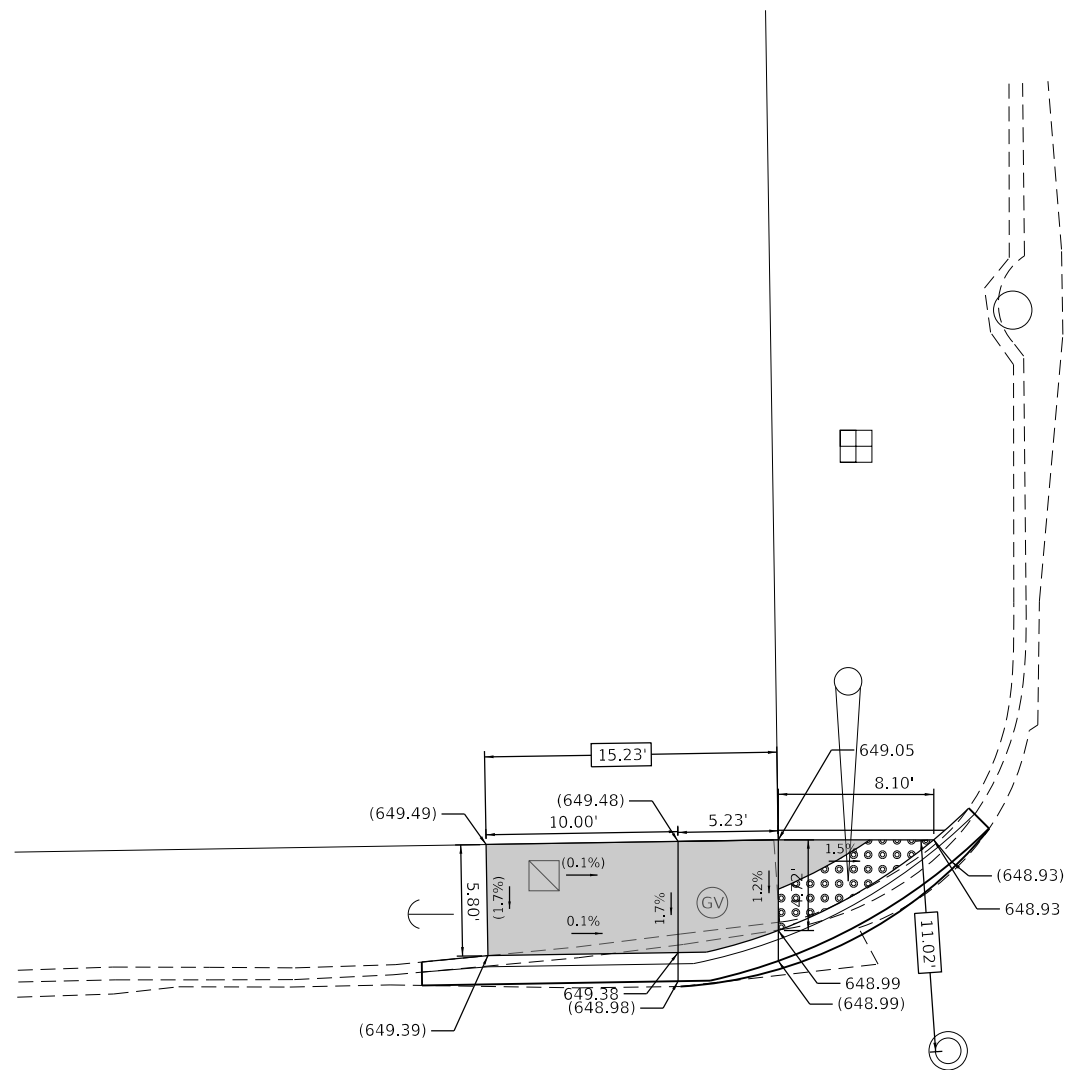
USER NAME = bhartma	DESIGNED - BDH	REVISED - AI 10-20-2021
PLOT SCALE = 10.0000' / in.	DRAWN -	REVISED -
PLOT DATE = 9/9/2021	CHECKED -	REVISED -
	DATE -	REVISED -

STATE OF ILLINOIS
 DEPARTMENT OF TRANSPORTATION

SIDEWALK DETAIL PLAN
 US. ROUTE 30 - IL. ROUTE 394

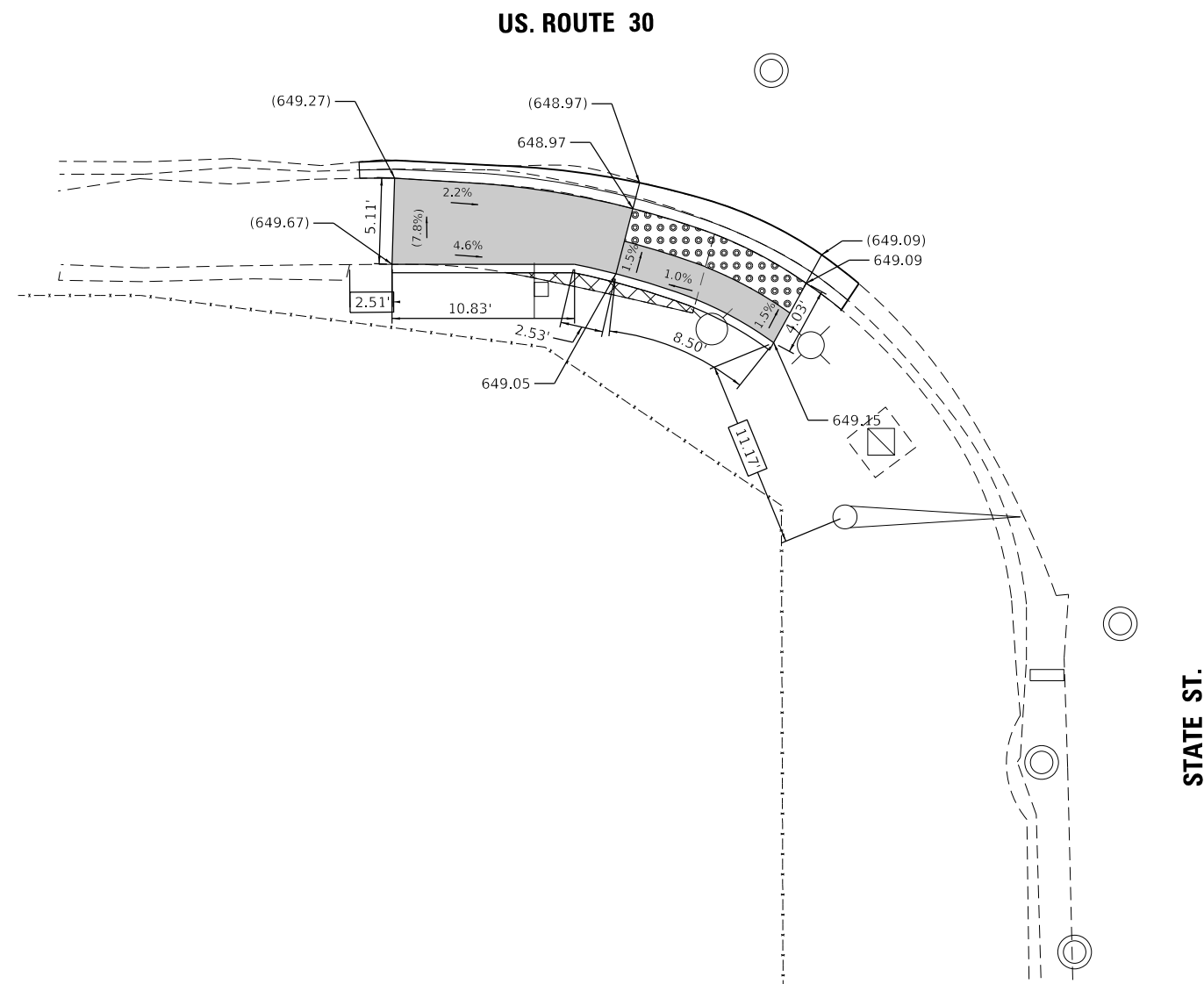
SCALE: 1"=5' SHEET 17 OF 18 SHEETS STA. TO STA.

F.A.P. RTE. 353	SECTION 2020-106-R5&SW	COUNTY COOK	TOTAL SHEETS 41	SHEET NO. 14 Q
CONTRACT NO. 62L84			ILLINOIS FED. AID PROJECT	



US. ROUTE 30

STATE ST.



US. ROUTE 30

STATE ST.

ENTIRE SHEET ADDED 10/25/2021

REFERENCE BENCHMARK ELEV. 649.66 (NAVD 88)

BENCHMARK : CHISELED "X" ON EAST SIDE OF CONCRETE MAST ARM BASE

LOCATION : NORTHEAST CORNER OF US ROUTE 30 AND STATE ST

LEGEND

xx.xx'

EXISTING LENGTH

==

PROPOSED SIDE CURB

()

EXISTING ELEVATION/SLOPE



PROPOSED SIDEWALK



DETECTABLE WARNINGS



SIDEWALK REMOVAL
REPLACE W/ TOPSOIL & SOD

REFERENCE BENCHMARK ELEV. 649.66 (NAVD 88)

BENCHMARK : CHISELED "X" ON EAST SIDE OF CONCRETE MAST ARM BASE

LOCATION : NORTHEAST CORNER OF US ROUTE 30 AND STATE ST

HRG PROJECT NO.: 86650046.32
HRG PROJ. CONTACT:
FILE NAME: 082284_swrmp-18.dgn
PEN TABLE: 010108.dtl



USER NAME = bhartma	DESIGNED - BDH	REVISED - AI 10-20-2021
PLOT SCALE = 10.0000' / in.	CHECKED -	REVISED -
PLOT DATE = 9/9/2021	DATE -	REVISED -

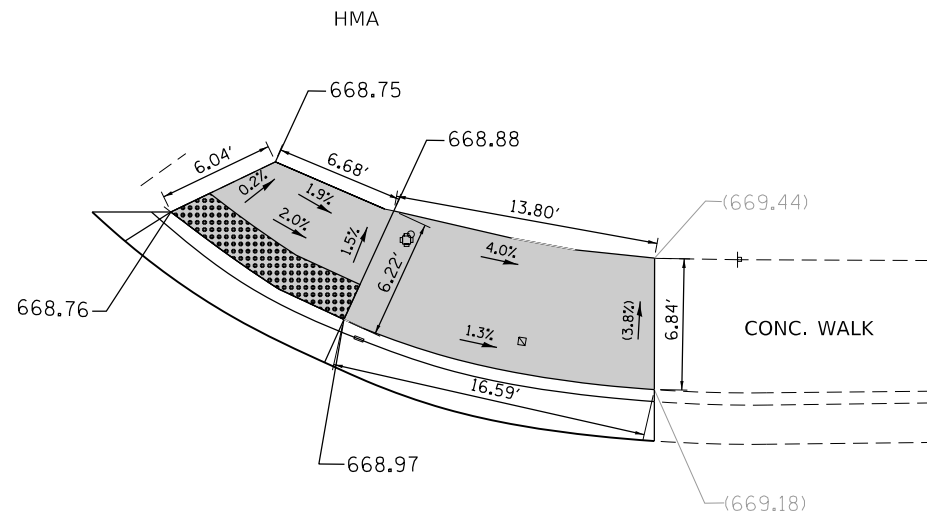
STATE OF ILLINOIS
DEPARTMENT OF TRANSPORTATION

SIDEWALK DETAIL PLAN
US. ROUTE 30 - IL. ROUTE 394

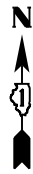
SCALE: 1"=5' SHEET 18 OF 18 SHEETS STA. TO STA.

F.A.P. RTE.	SECTION	COUNTY	TOTAL SHEETS	SHEET NO.
353	2020-106-R5&SW	COOK	41	14 R
CONTRACT NO. 62L84			ILLINOIS FED. AID PROJECT	

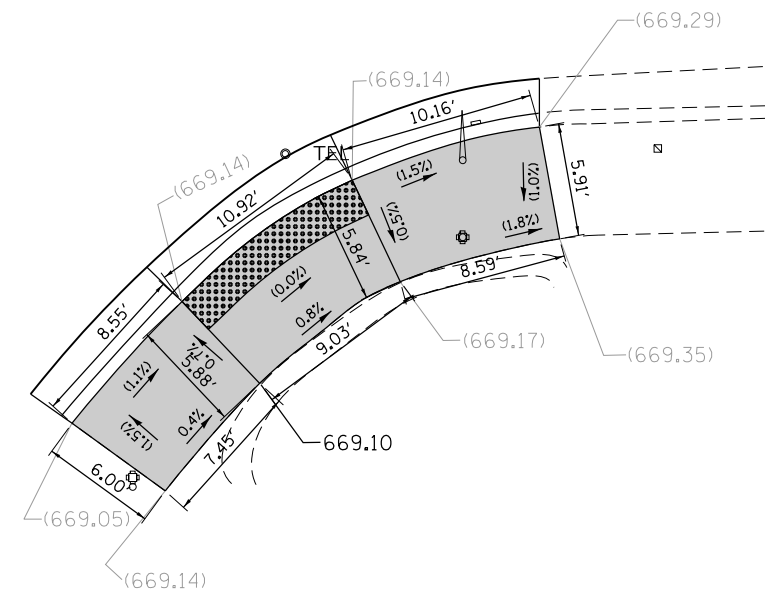
COTTAGE GROVE AVE.



U.S. ROUTE 30



COTTAGE GROVE AVE.



ENTIRE SHEET ADDED 10/25/2021

LEGEND

xx.xx'

EXISTING LENGTH



PROPOSED SIDE CURB

()

EXISTING ELEVATION/SLOPE



PROPOSED SIDEWALK



DETECTABLE WARNINGS



SIDEWALK REMOVAL
REPLACE W/TOPSOIL & SOD

USER NAME = ismailam	DESIGNED -	REVISED - AI 10-20-2021
	DRAWN -	REVISED -
PLOT SCALE = 10.0000' / in.	CHECKED -	REVISED -
PLOT DATE = 10/20/2021	DATE -	REVISED -

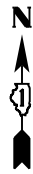
STATE OF ILLINOIS
DEPARTMENT OF TRANSPORTATION

SIDEWALK DETAIL PLAN
US, ROUTE 30 - IL, ROUTE 394

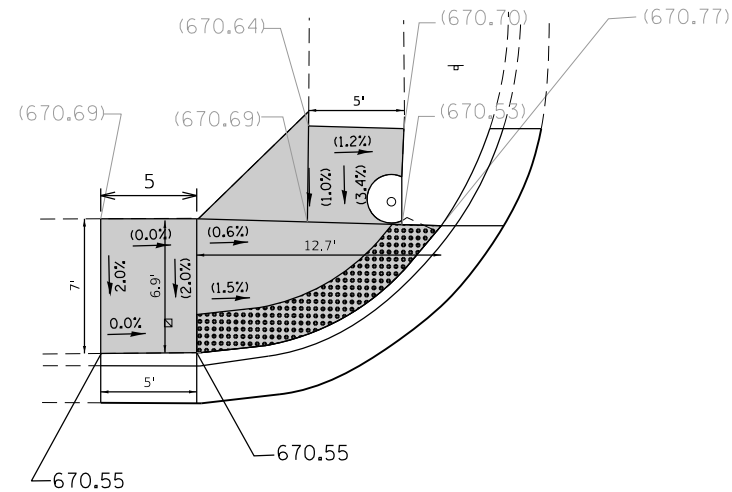
SCALE: SHEET OF SHEETS STA. TO STA.

F.A.P. RTE.	SECTION	COUNTY	TOTAL SHEETS	SHEET NO.
353	2020-106-R5&SW	COOK	41	14 5
CONTRACT NO. 62L84				
ILLINOIS FED. AID PROJECT				

MODEL: Default
FILE: h:\arc\paw_bentley.com\PI\DOT\Documents\DOT_Offices\DH\dtdt_1\Projects\150520\CADD\data\Drawings\150520-40A.dgn



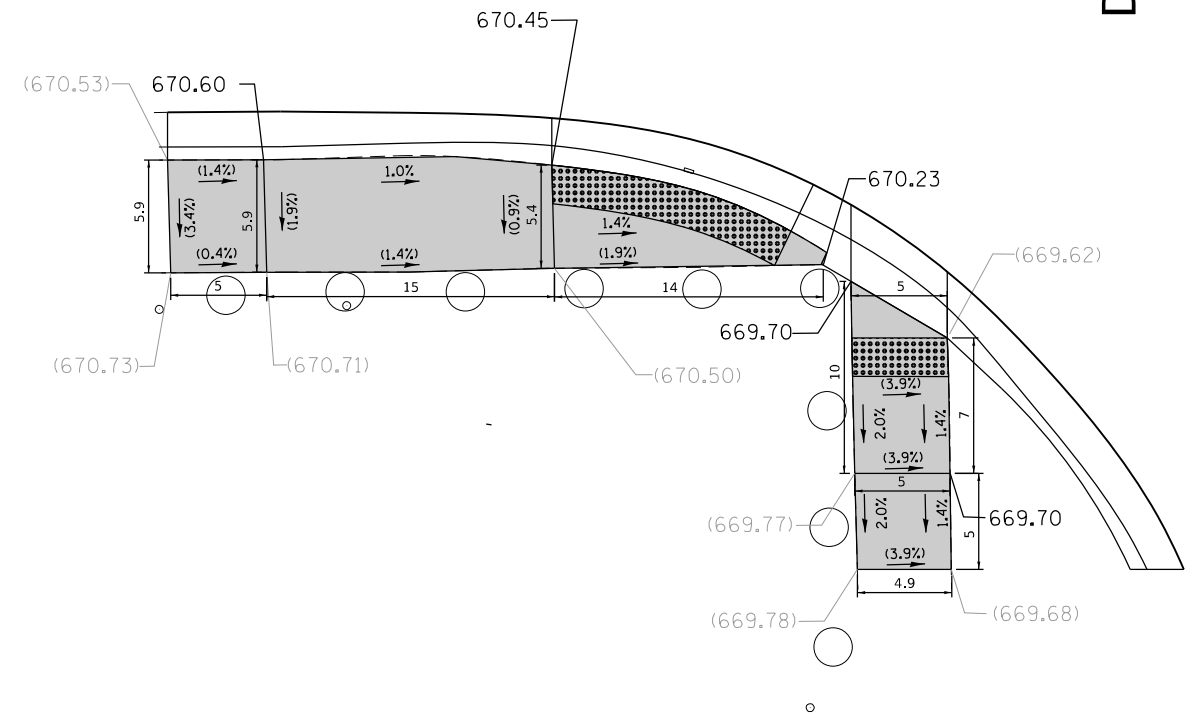
PARK AVE.



U.S. ROUTE 30

U.S. ROUTE 30

DREXEL AVE.



ENTIRE SHEET ADDED 10/25/2021

LEGEND

xx.xx'

EXISTING LENGTH



PROPOSED SIDE CURB

()

EXISTING ELEVATION/SLOPE



PROPOSED SIDEWALK



DETECTABLE WARNINGS



SIDEWALK REMOVAL
REPLACE W/TOPSOIL & SOD

MODEL: Default
FILE: \\mspc-pw-bentley.com\PWDOT\Documents\DOT_Offices\DH\dtdt_1\Projects\150520\CADD\data\Drawings\150520-10A.dgn

USER NAME = ismailm	DESIGNED -	REVISED - AI 10-20-2021
	DRAWN -	REVISED -
PLOT SCALE = 10.0000' / in.	CHECKED -	REVISED -
PLOT DATE = 10/20/2021	DATE -	REVISED -

STATE OF ILLINOIS
DEPARTMENT OF TRANSPORTATION

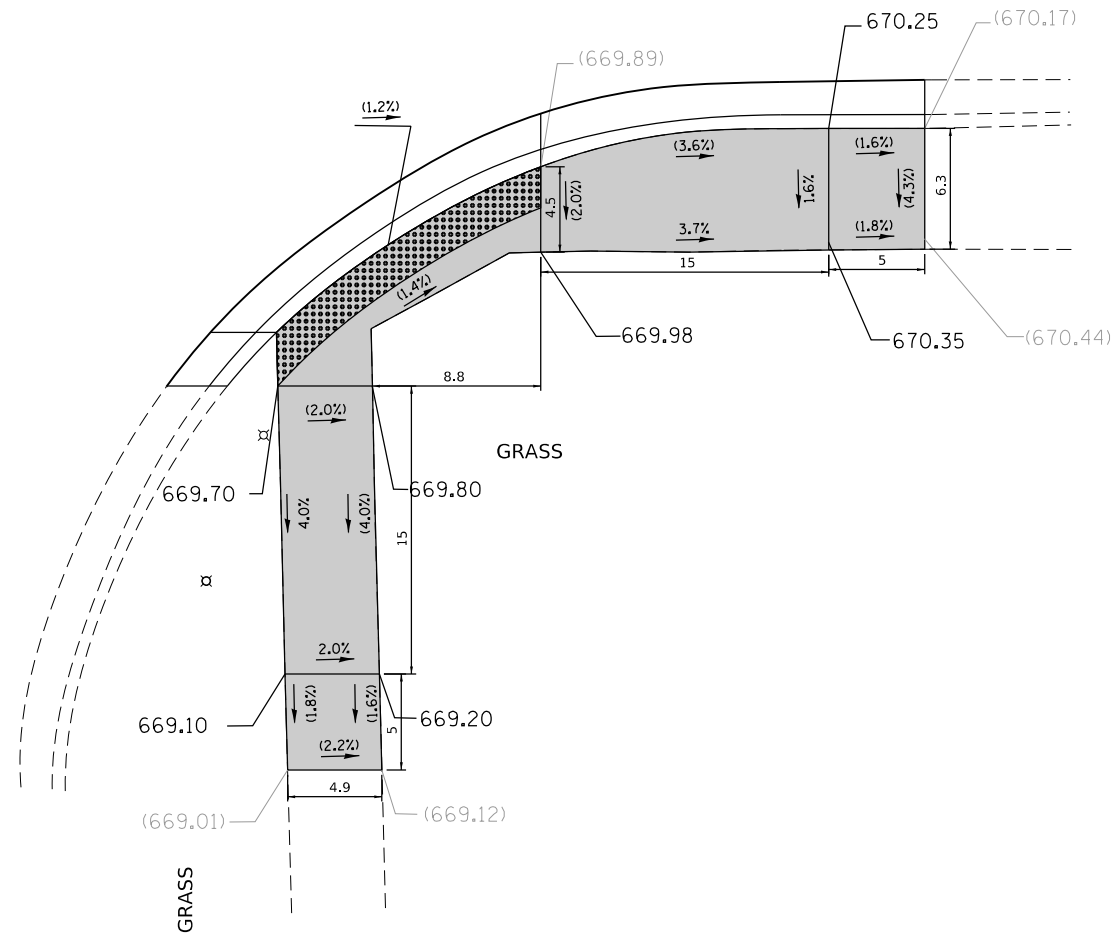
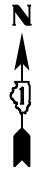
SIDEWALK DETAIL PLAN
US, ROUTE 30 - IL, ROUTE 394

SCALE: SHEET OF SHEETS STA. TO STA.

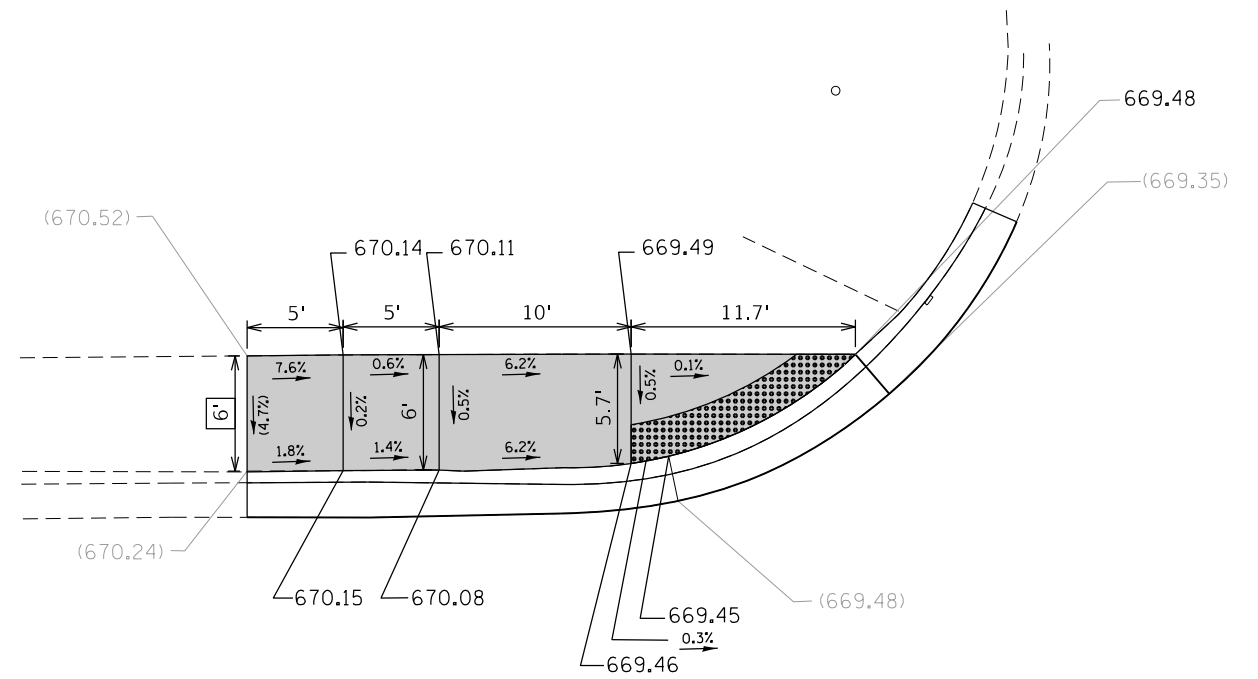
F.A.P. RTE.	SECTION	COUNTY	TOTAL SHEETS	SHEET NO.
353	2020-106-R5&SW	COOK	41	14 T
CONTRACT NO. 62L84				
ILLINOIS FED. AID PROJECT				

DREXEL AVE.

U.S. ROUTE 30



WERLINE AVE.



U.S. ROUTE 30

ENTIRE SHEET ADDED 10/25/2021

LEGEND

xx.xx'

EXISTING LENGTH



PROPOSED SIDE CURB

()

EXISTING ELEVATION/SLOPE



PROPOSED SIDEWALK



DETECTABLE WARNINGS



SIDEWALK REMOVAL
REPLACE W/TOPSOIL & SOD

STATE OF ILLINOIS
DEPARTMENT OF TRANSPORTATION

SIDEWALK DETAIL PLAN
US, ROUTE 30 - IL, ROUTE 394

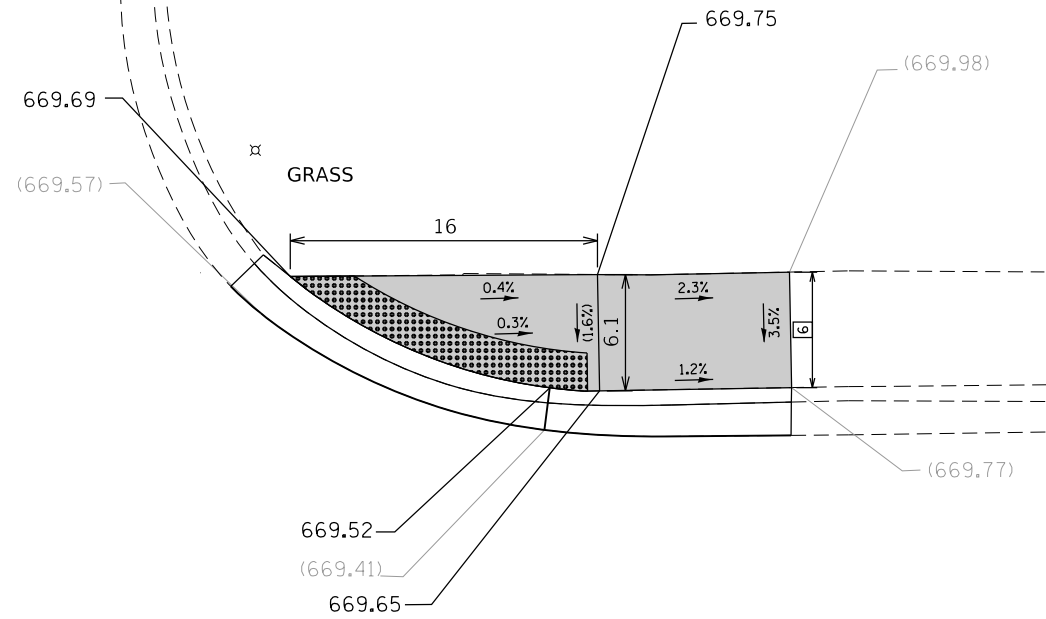
SCALE: SHEET OF SHEETS STA. TO STA.

USER NAME = ismailam	DESIGNED -	REVISED - AI 10-20-2021
	DRAWN -	REVISED -
PLOT SCALE = 10.0000' / in.	CHECKED -	REVISED -
PLOT DATE = 10/20/2021	DATE -	REVISED -

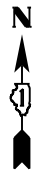
F.A.P. RTE.	SECTION	COUNTY	TOTAL SHEETS	SHEET NO.
353	2020-106-R5&SW	COOK	41	14 U
CONTRACT NO. 62L84				
ILLINOIS FED. AID PROJECT				

MODEL: Default
FILE: \\nas01\caw_bentley.com\PI\DOT\Documents\DOT_Offices\DH\drt_1\Projects\150520\CADD\data\Drawings\150520-04.dgn

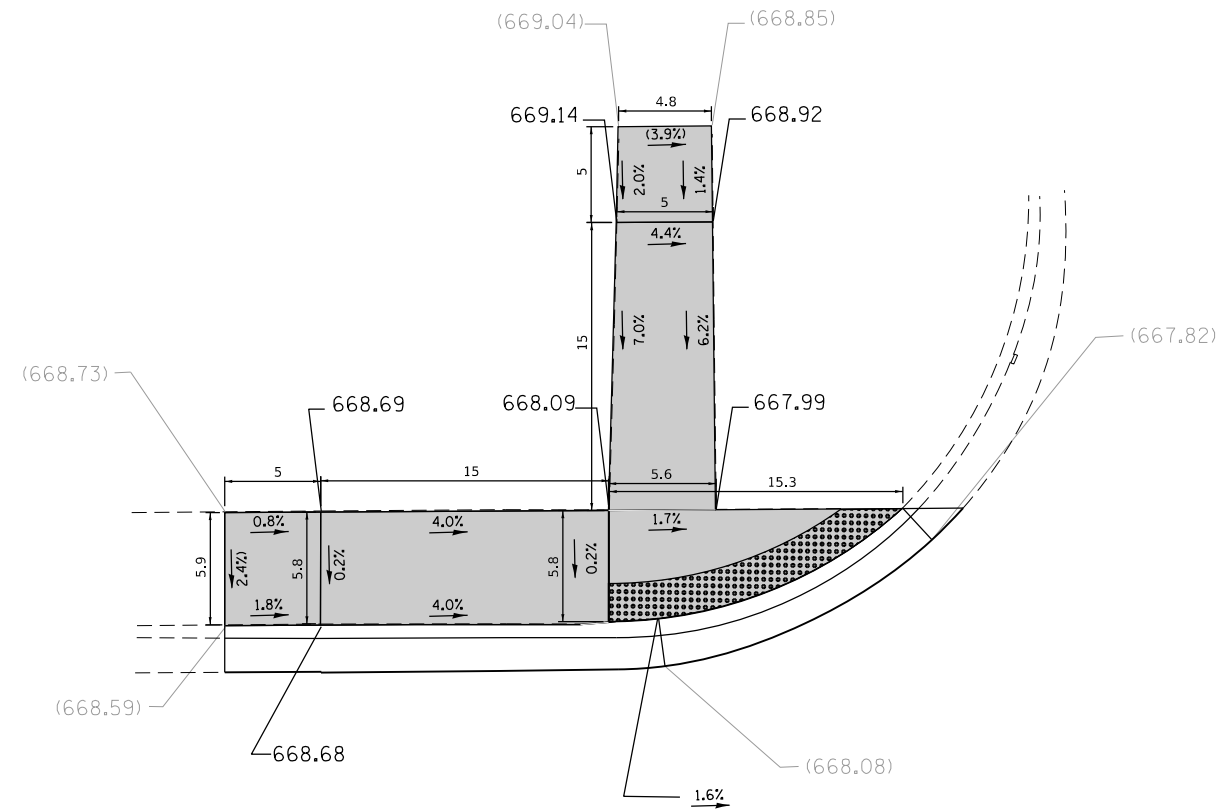
WERLINE AVE.



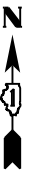
U.S. ROUTE 30



SEELEY AVE.



U.S. ROUTE 30



ENTIRE SHEET ADDED 10/25/2021

LEGEND

xx.xx'

EXISTING LENGTH



PROPOSED SIDE CURB

()

EXISTING ELEVATION/SLOPE



PROPOSED SIDEWALK



DETECTABLE WARNINGS



SIDEWALK REMOVAL
REPLACE W/TOPSOIL & SOD

MODEL: Default
FILE: \\mspc-pw-bentley.com\PWDOT\Documents\DOT_Offices\DHrdt - I\Projects\150520\CADD\data\Drawn\150520-30.dwg

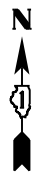
USER NAME = ismailm	DESIGNED -	REVISED - AI 10-20-2021
	DRAWN -	REVISED -
PLOT SCALE = 10.0000 ' / in.	CHECKED -	REVISED -
PLOT DATE = 10/20/2021	DATE -	REVISED -

STATE OF ILLINOIS
DEPARTMENT OF TRANSPORTATION

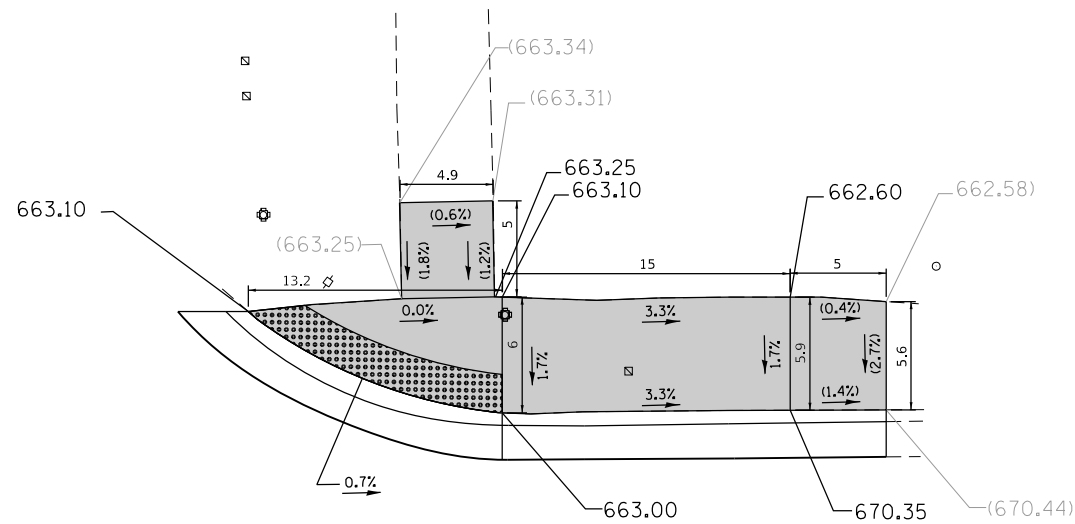
SIDEWALK DETAIL PLAN
US, ROUTE 30 - IL, ROUTE 394

SCALE: SHEET OF SHEETS STA. TO STA.

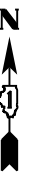
F.A.P. RTE.	SECTION	COUNTY	TOTAL SHEETS	SHEET NO.
353	2020-106-R5&SW	COOK	41	14 V
CONTRACT NO. 62L84				
ILLINOIS FED. AID PROJECT				



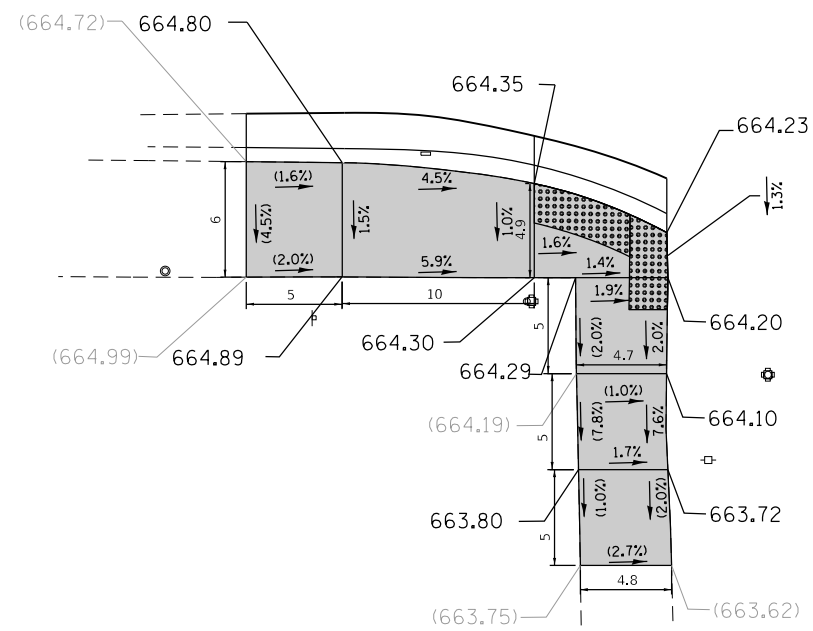
ELLIS AVE.



U.S. ROUTE 30



U.S. ROUTE 30



ELLIS AVE.



ENTIRE SHEET ADDED 10/25/2021

LEGEND

xx.xx'

EXISTING LENGTH



PROPOSED SIDE CURB

()

EXISTING ELEVATION/SLOPE



PROPOSED SIDEWALK



DETECTABLE WARNINGS



SIDEWALK REMOVAL
REPLACE W/TOPSOIL & SOD

MODEL: Default
FILE: \\mspc-pw-bentley.com\PWDOT\Documents\DOT_Offices\DH\dwt_1\Projects\150520\CADD\data\Drawings\150520-04.dgn

USER NAME = ismailm	DESIGNED -	REVISED - AI 10-20-2021
	DRAWN -	REVISED -
PLOT SCALE = 10.0000 ' / in.	CHECKED -	REVISED -
PLOT DATE = 10/20/2021	DATE -	REVISED -

STATE OF ILLINOIS
DEPARTMENT OF TRANSPORTATION

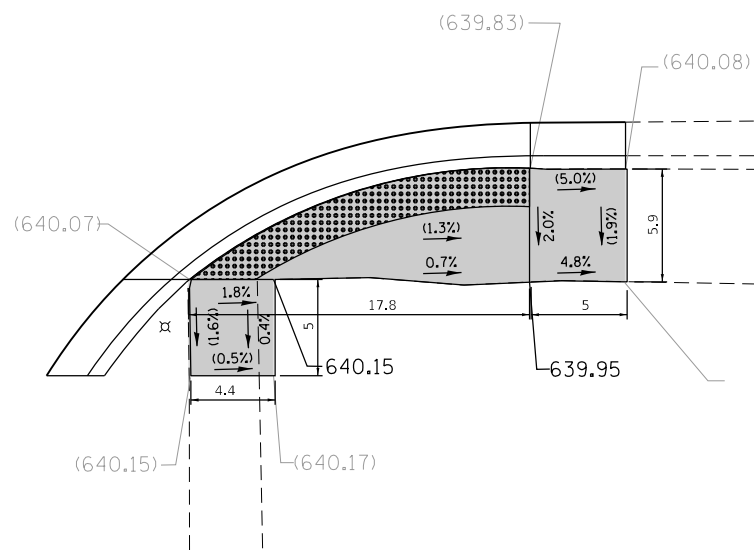
SIDEWALK DETAIL PLAN
US, ROUTE 30 - IL, ROUTE 394

SCALE: SHEET OF SHEETS STA. TO STA.

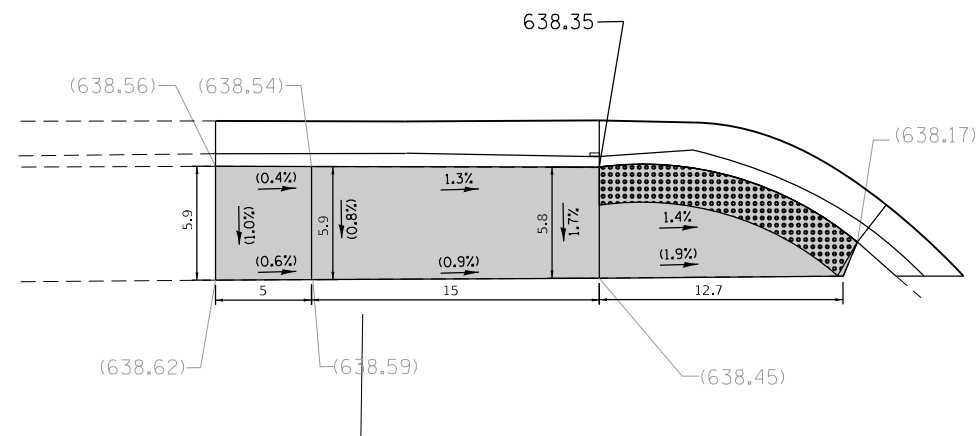
F.A.P. RTE.	SECTION	COUNTY	TOTAL SHEETS	SHEET NO.
353	2020-106-R5&SW	COOK	41	14 X
CONTRACT NO. 62L84				
ILLINOIS FED. AID PROJECT				

GREENWOOD AVE.

U.S. ROUTE 30



U.S. ROUTE 30



ENTIRE SHEET ADDED 10/25/2021

LEGEND

xx.xx'

EXISTING LENGTH

==

PROPOSED SIDE CURB

()

EXISTING ELEVATION/SLOPE



PROPOSED SIDEWALK



DETECTABLE WARNINGS



SIDEWALK REMOVAL
REPLACE W/TOPSOIL & SOD

USER NAME = ismailam	DESIGNED -	REVISED - AI 10-20-2021
	DRAWN -	REVISED -
PLOT SCALE = 10.0000 ' / in.	CHECKED -	REVISED -
PLOT DATE = 10/20/2021	DATE -	REVISED -

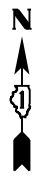
STATE OF ILLINOIS
DEPARTMENT OF TRANSPORTATION

SIDEWALK DETAIL PLAN
US, ROUTE 30 - IL, ROUTE 394

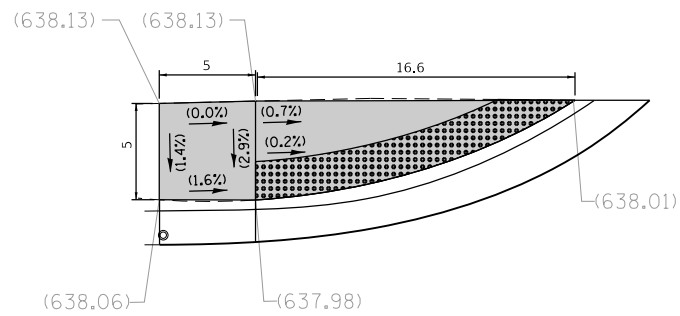
SCALE: SHEET OF SHEETS STA. TO STA.

F.A.P. RTE.	SECTION	COUNTY	TOTAL SHEETS	SHEET NO.
353	2020-106-R5&SW	COOK	41	14 Z
CONTRACT NO. 62L84				
ILLINOIS FED. AID PROJECT				

MODEL: Default
FILE: \\nas01\paw.bentley.com\PWDOT\Documents\DOT_Offices\DHartt_1\Projects\150520\CADD\data\Drawings\150520-04.dgn



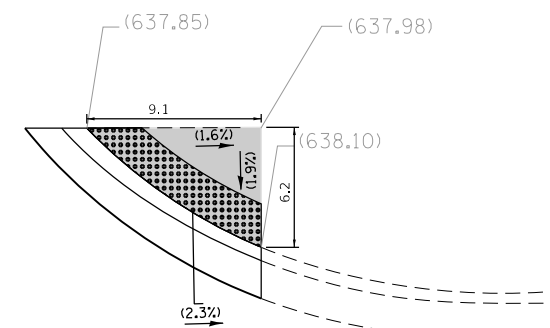
LEXINGTON AVE.



U.S. ROUTE 30



LEXINGTON AVE.



U.S. ROUTE 30



ENTIRE SHEET ADDED 10/25/2021

LEGEND

xx.xx'

EXISTING LENGTH



PROPOSED SIDE CURB

()

EXISTING ELEVATION/SLOPE



PROPOSED SIDEWALK



DETECTABLE WARNINGS



SIDEWALK REMOVAL
REPLACE W/TOPSOIL & SOD

STATE OF ILLINOIS
DEPARTMENT OF TRANSPORTATION

SIDEWALK DETAIL PLAN
US, ROUTE 30 - IL, ROUTE 394

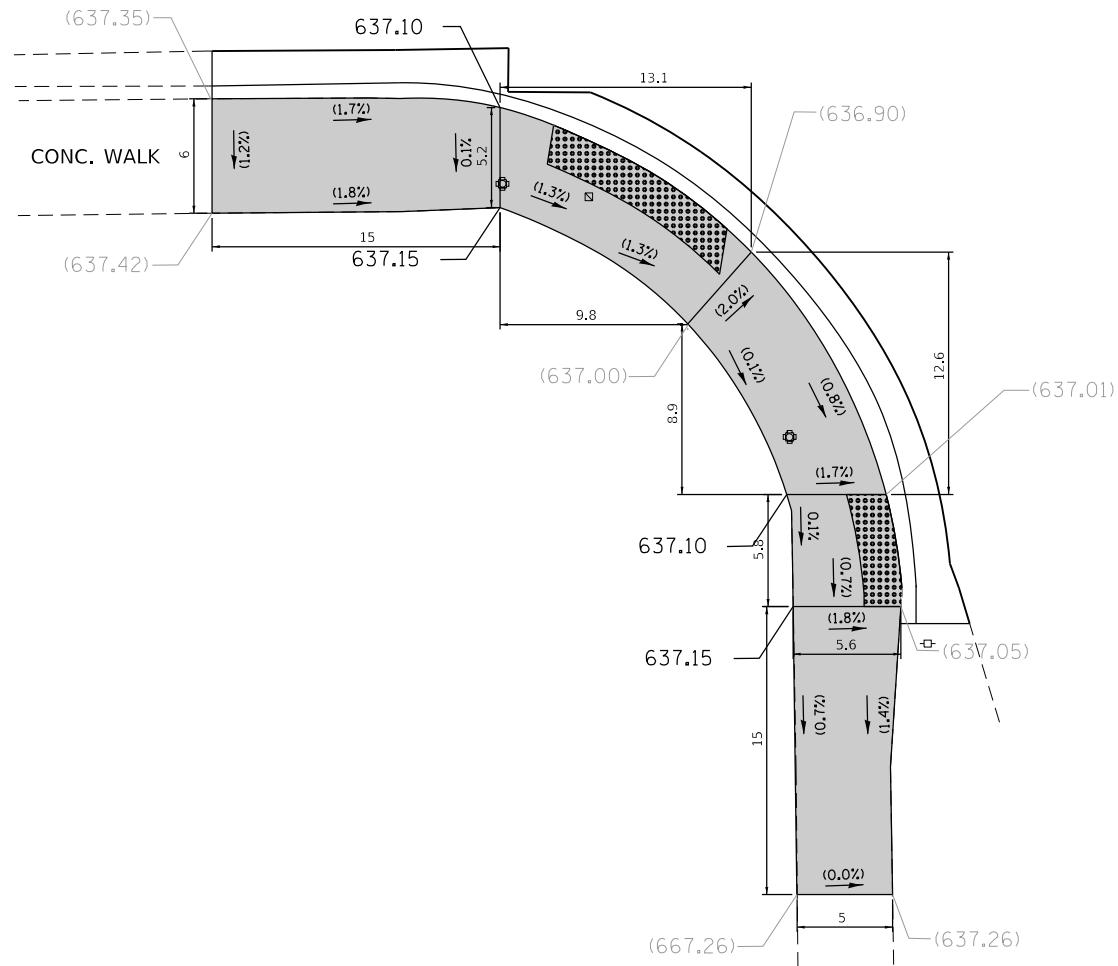
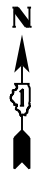
SCALE: SHEET OF SHEETS STA. TO STA.

USER NAME = ismailam	DESIGNED -	REVISED - AI 10-20-2021
	DRAWN -	REVISED -
PLOT SCALE = 10.0000' / in.	CHECKED -	REVISED -
PLOT DATE = 10/20/2021	DATE -	REVISED -

F.A.P. RTE.	SECTION	COUNTY	TOTAL SHEETS	SHEET NO.
353	2020-106-R5&SW	COOK	41	14 AA
ILLINOIS FED. AID PROJECT			CONTRACT NO. 62L84	

MODEL: Default
FILE: \\nas01.csw.bentley.com\FWIDOT\Documents\DOT_Offices\DHartt - I\Projects\150520\CADD\data\Drawn\150520-ADA.dgn

U.S. ROUTE 30



WOODLAWN AVE.

ENTIRE SHEET ADDED 10/25/2021

LEGEND

xx.xx'

EXISTING LENGTH



PROPOSED SIDE CURB

()

EXISTING ELEVATION/SLOPE



PROPOSED SIDEWALK



DETECTABLE WARNINGS



SIDEWALK REMOVAL
REPLACE W/TOPSOIL & SOD

STATE OF ILLINOIS
DEPARTMENT OF TRANSPORTATION

SIDEWALK DETAIL PLAN
US, ROUTE 30 - IL, ROUTE 394

SCALE: SHEET OF SHEETS STA. TO STA.

USER NAME = ismailam	DESIGNED -	REVISED - AI 10-20-2021
	DRAWN -	REVISED -
PLOT SCALE = 10.0000' / in.	CHECKED -	REVISED -
PLOT DATE = 10/20/2021	DATE -	REVISED -

F.A.P. RTE.	SECTION	COUNTY	TOTAL SHEETS	SHEET NO.
353	2020-106-R5&SW	COOK	41	14 AB
CONTRACT NO. 62L84				
ILLINOIS FED. AID PROJECT				

MODEL: Default
FILE: \\nas01c-pw-bentley.com\PWDOT\Documents\DOT_Offices\DHrdt - I\Projects\150520\CADD\data\Drawn\150520-40A.dgn