

STATE OF ILLINOIS
DEPARTMENT OF TRANSPORTATION

F.A.I. RTE.	SECTION	COUNTY	TOTAL SHEETS	SHEET NO.
70		FAYETTE	7	1
		ILLINOIS	CONTRACT NO. 74A87	

D7 SLOPEWALL REPAIR 2022-1

FOR INDEX OF SHEETS, SEE SHEET NO. 2

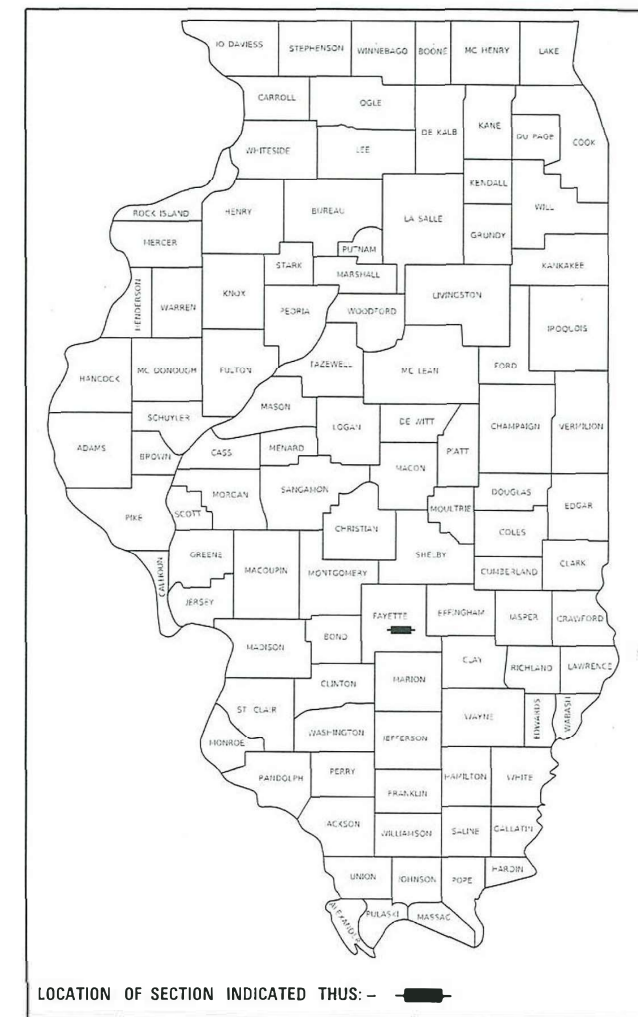
ADT = 22,400

PROPOSED HIGHWAY PLANS

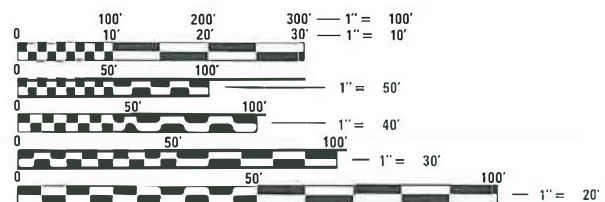
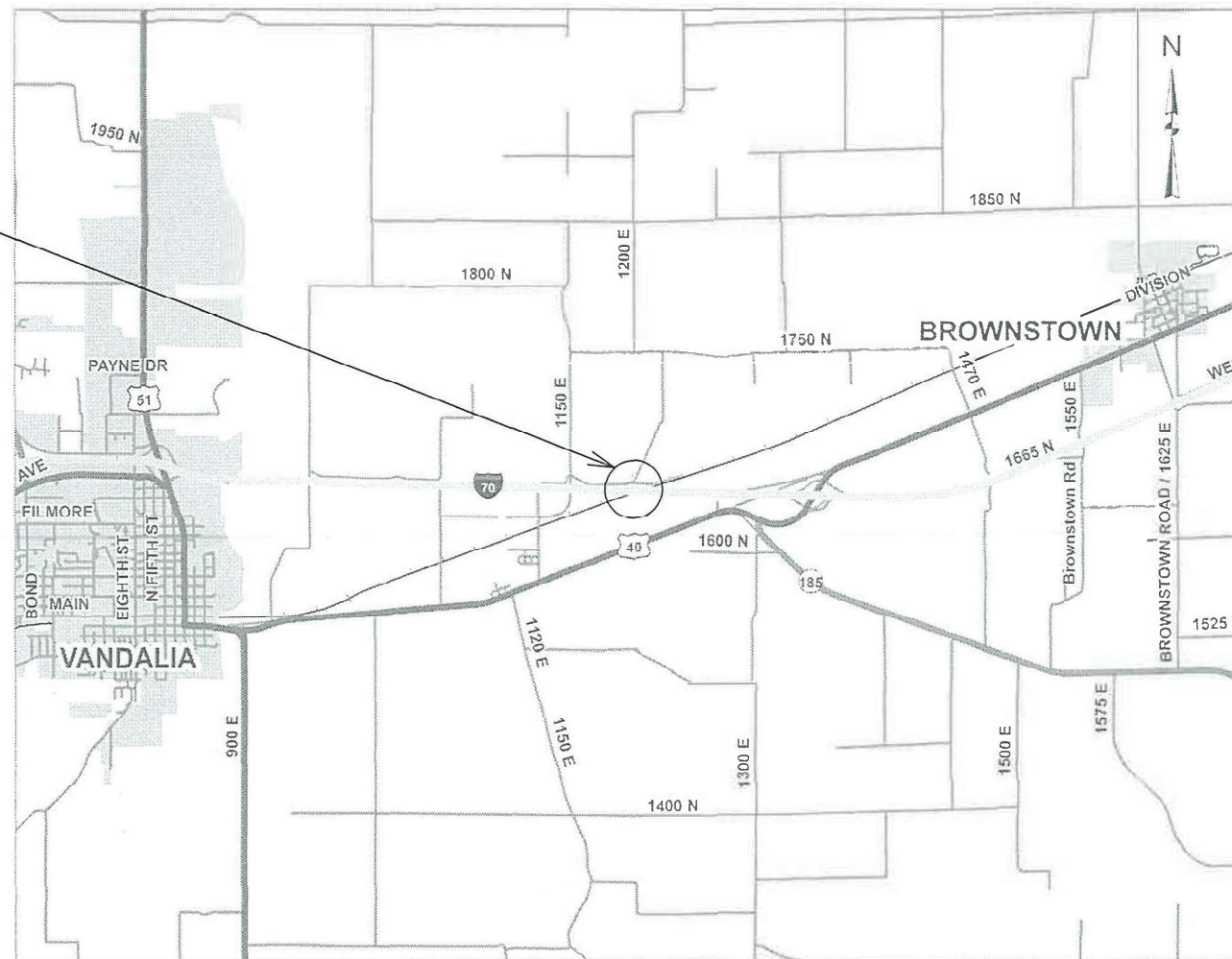
FAI ROUTE 70 (I-70)
SECTION D7 SLOPEWALL REPAIR 2022-1

SLOPEWALL REPAIR
FAYETTE COUNTY

C-97-187-21



LOCATION OF PROPOSED IMPROVEMENT



FULL SIZE PLANS HAVE BEEN PREPARED USING STANDARD ENGINEERING SCALES. REDUCED SIZED PLANS WILL NOT CONFORM TO STANDARD SCALES. IN MAKING MEASUREMENTS ON REDUCED PLANS, THE ABOVE SCALES MAY BE USED.

J.U.L.I.E.
JOINT UTILITY LOCATION INFORMATION FOR EXCAVATORS
1-800-892-0123
OR 811

PROJECT ENGINEER BRIAN LEWIS
PROJECT MANAGER TRAVIS WALK

CONTRACT NO. 74A87

STATE OF ILLINOIS
DEPARTMENT OF TRANSPORTATION

SUBMITTED August 16 20 21
Jeffrey P. Myerka
REGIONAL ENGINEER

October 1 20 21
[Signature]
ENGINEER OF DESIGN AND ENVIRONMENT

October 21 21
Stephen M. Fair
DIRECTOR OF HIGHWAYS PROJECT IMPLEMENTATION

PRINTED BY THE AUTHORITY
OF THE STATE OF ILLINOIS

INDEX OF SHEETS

SHEET NO.	DESCRIPTION
1	COVER SHEET
2	INDEX OF SHEETS AND GENERAL NOTES
3	SUMMARY OF QUANTITIES
4	BARRIER WALL PLACEMENT DETAILS
5-7	SLOPEWALL REPAIR PLANS

THE FOLLOWING STANDARDS ARE A PART OF THESE PLANS AND ARE INCLUDED FOLLOWING THE LAST NUMBERED SHEET OF THE PLANS.

483001-05	PCC SHOULDER
630001-12	STEEL PLATE BEAM GUARDRAIL
630201-07	PCC/HMA STABILIZATION AT STEEL PLATE BEAM GUARDRAIL
701101-05	OFF-ROAD OPERATIONS, MULTILANE, 15' TO 24" FROM PAVEMENT EDGE
701106-02	OFF-ROAD OPERATIONS, MULTILANE, MORE THAN 15' AWAY
701400-10	APPROACH TO LANE CLOSURE, FREEWAY/EXPRESSWAY
701401-12	LANE CLOSURE, FREEWAY/EXPRESSWAY
701402-12	LANE CLOSURE, FREEWAY/EXPRESSWAY, WITH BARRIER
701901-08	TRAFFIC CONTROL DEVICES
704001-08	TEMPORARY CONCRETE BARRIER
000001-08	STANDARD SYMBOLS, ABBREVIATIONS, AND PATTERNS
001006	DECIMAL OF AN INCH AND OF A FOOT
420001-09	PAVEMENT JOINTS

GENERAL NOTES

THE WORK INCLUDED IN THE PROJECT CONSISTS OF REMOVAL AND REPLACEMENT OF SLOPEWALL AND ANY OTHER INCIDENTAL WORK NECESSARY TO COMPLETE THE PROJECT. THE LOCATION OF THE PROJECT IS OVER CSXT RR 1.5 MI W OF BROWNSTOWN / BLUFF CITY / US 40 INTERCHANGE.

SEE NOTE ON SHEET 7 REGARDING SUBBASE GRANULAR MATERIAL.

REV. - MS

MODEL: Default
FILE: M:\cadd\p11\110324\w_bentley.com\PROJECTS\DOT_CAD\110324\110324.dwg

USER NAME = steffenmk	DESIGNED -	REVISED -	STATE OF ILLINOIS DEPARTMENT OF TRANSPORTATION	INDEX OF SHEETS, GENERAL NOTES LIST OF STANDARDS				F.A.I. RTE:	SECTION	COUNTY	TOTAL SHEETS	SHEET NO.
PLOT SCALE = 100.0000' / in.	DRAWN -	REVISED -		70	*	FAYETTE	7	2				
PLOT DATE = 8/18/2021	CHECKED -	REVISED +		* D7 SLOPEWALL REPAIR 2022-1					CONTRACT NO. 74A87			
	DATE -	REVISED +		SCALE:	SHEET	OF	SHEETS	STA.	TO	STA.	ILLINOIS FED. AID PROJECT	

SUMMARY OF QUANTITIES			TOTAL QUANTITIES	CONSTRUCTION TYPE CODE		
CODE NO	ITEM	UNIT		0044 100% STATE		
31101000	SUBBASE GRANULAR MATERIAL, TYPE B	TON	450	450		
44004250	PAVED SHOULDER REMOVAL	SQ YD	70	70		
48300100	PORTLAND CEMENT CONCRETE SHOULDERS 6"	SQ YD	20	20		
48300500	PORTLAND CEMENT CONCRETE SHOULDERS 10"	SQ YD	25	25		
50104650	SLOPE WALL REMOVAL	SQ YD	350	350		
50200450	REMOVAL AND DISPOSAL OF UNSUITABLE MATERIAL FOR STRUCTURES	CU YD	240	240		
50300300	PROTECTIVE COAT	SQ YD	475	475		
51100300	SLOPE WALL 6 INCH	SQ YD	475	475		
* 63301210	REMOVE AND REERECT STEEL PLATE BEAM GUARDRAIL, TYPE A	FOOT	100	100		
67000400	ENGINEER'S FIELD OFFICE, TYPE A	CAL MO	3	3		
67100100	MOBILIZATION	L SUM	1	1		
70100205	TRAFFIC CONTROL AND PROTECTION, STANDARD 701401	EACH	1	1		

SUMMARY OF QUANTITIES			TOTAL QUANTITIES	CONSTRUCTION TYPE CODE		
CODE NO	ITEM	UNIT		0044 100% STATE		
70100207	TRAFFIC CONTROL AND PROTECTION, STANDARD 701402	EACH	1	1		
70107007	PAVEMENT MARKING BLACKOUT TAPE, 7"	FOOT	415	415		
70107025	CHANGEABLE MESSAGE SIGN	CAL DA	14	14		
70300150	SHORT TERM PAVEMENT MARKING REMOVAL	SQ FT	242	242		
70400100	TEMPORARY CONCRETE BARRIER	FOOT	475	475		
70600250	IMPACT ATTENUATORS, TEMPORARY (NON-REDIRECTIVE), TEST LEVEL 3	EACH	1	1		
Z0048665	RAILROAD PROTECTIVE LIABILITY INSURANCE	L SUM	1	1		

* SPECIALTY ITEM

MODEL: Default
 FILE: M:\MFC_Plan\Project-7487\Documents\DOT Offices\District 7\Projects\7487\CADD\Drawings\CAD\Drawings\7487-416-S00.dgn

USER NAME = steffenmk	DESIGNED -	REVISED -
	DRAWN -	REVISED -
PLOT SCALE = 100.0000' / in.	CHECKED -	REVISED -
PLOT DATE = 8/18/2021	DATE -	REVISED -

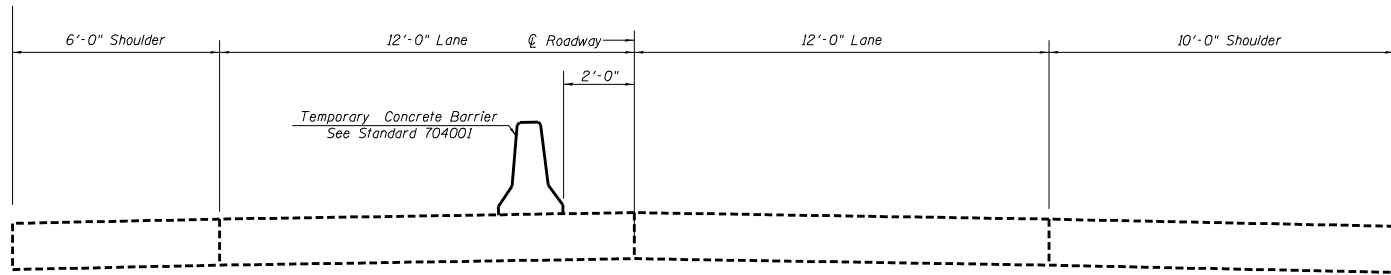
**STATE OF ILLINOIS
DEPARTMENT OF TRANSPORTATION**

SUMMARY OF QUANTITIES

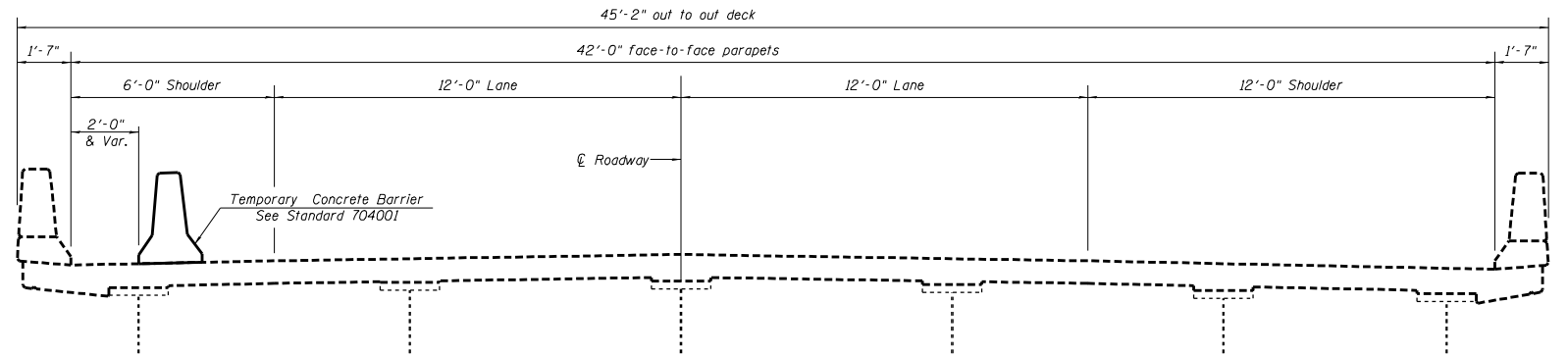
SCALE: SHEET OF SHEETS STA. TO STA.

F.A.I. RTE.	SECTION	COUNTY	TOTAL SHEETS	SHEET NO.
70	*	FAYETTE	7	3
* D7 SLOPEWALL REPAIR 2022-1			CONTRACT NO. 74A87	
ILLINOIS FED. AID PROJECT				

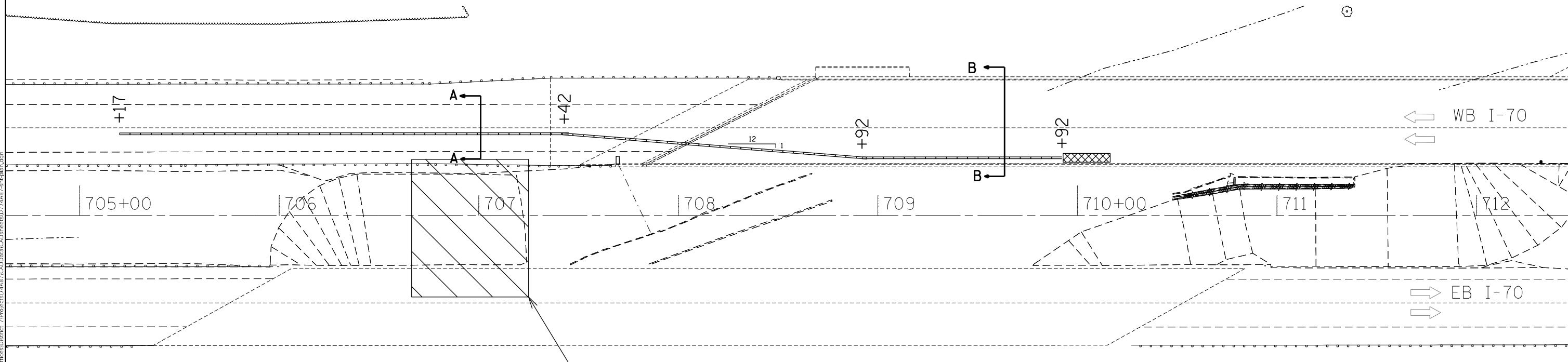
REV-SEP



SECTION A-A



SECTION B-B



WORK AREA
SEE NEXT PAGE FOR DETAILS

IMPACT ATTENUATOR



NOTES: SEE STD 701402 FOR DETAILS NOT SHOWN.
DO NOT PIN EAST END OF TCB, ONLY WEST END

MODEL: Default
 FILE NAME: p:\project-aw-bead-fwy.com\PIV\DOT\Documents\DOT Office\Dir\refr_7\Project\74A87\CADD\B1\CAD\Sheet\DOT 74A87-S-18-21.dwg

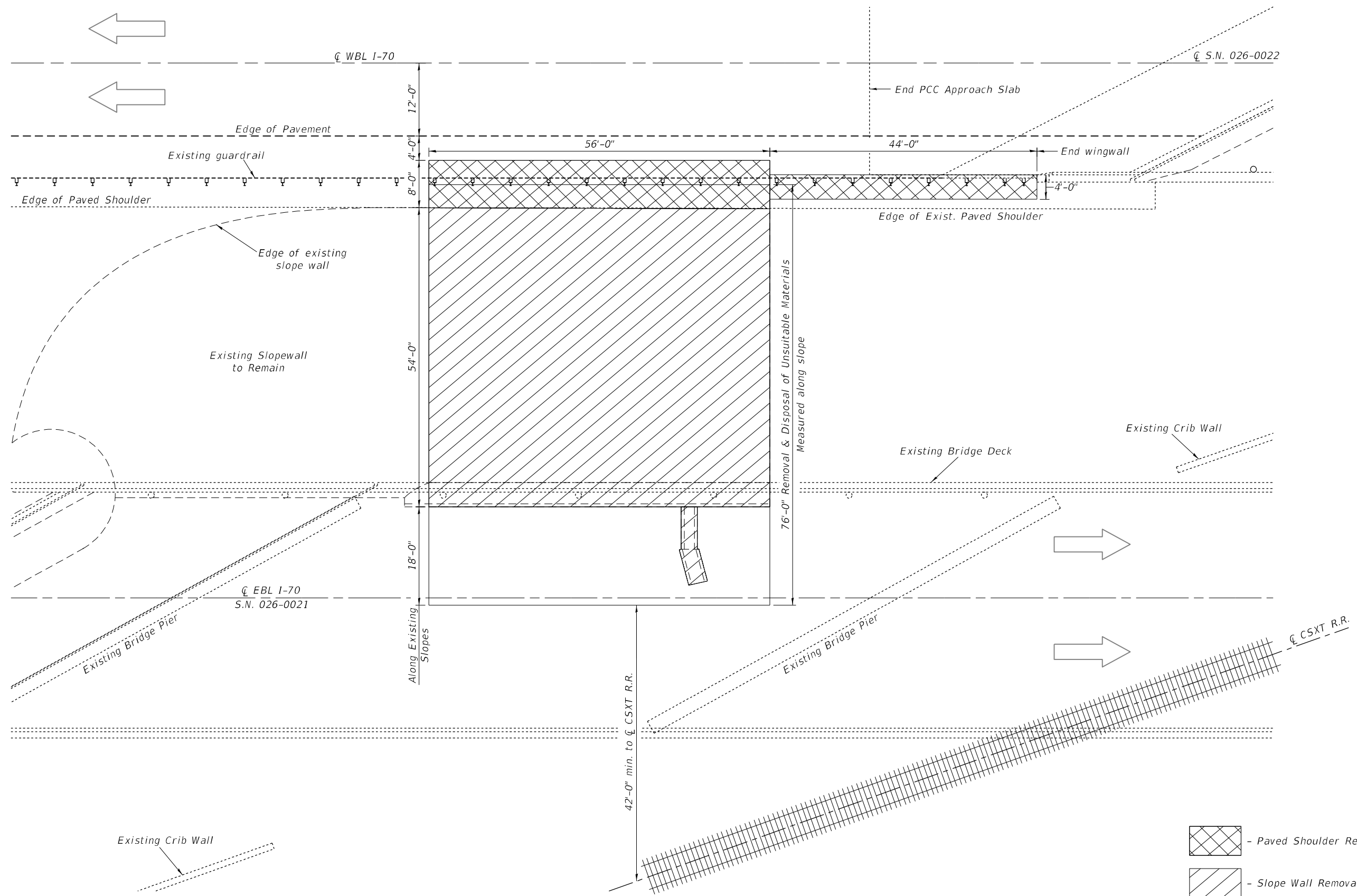
USER NAME = steffenmk	DESIGNED -	REVISED -
	DRAWN -	REVISED -
PLOT SCALE = 100,0000' / in.	CHECKED -	REVISED -
PLOT DATE = 8/18/2021	DATE -	REVISED -

**STATE OF ILLINOIS
DEPARTMENT OF TRANSPORTATION**

TEMPORARY CONCRETE BARRIER

SCALE: SHEET OF SHEETS STA. TO STA.

F.A.I. RTE.	SECTION	COUNTY	TOTAL SHEETS	SHEET NO.
70	*	FAYETTE	7	4
CONTRACT NO. 74A87				
ILLINOIS FED. AID PROJECT				



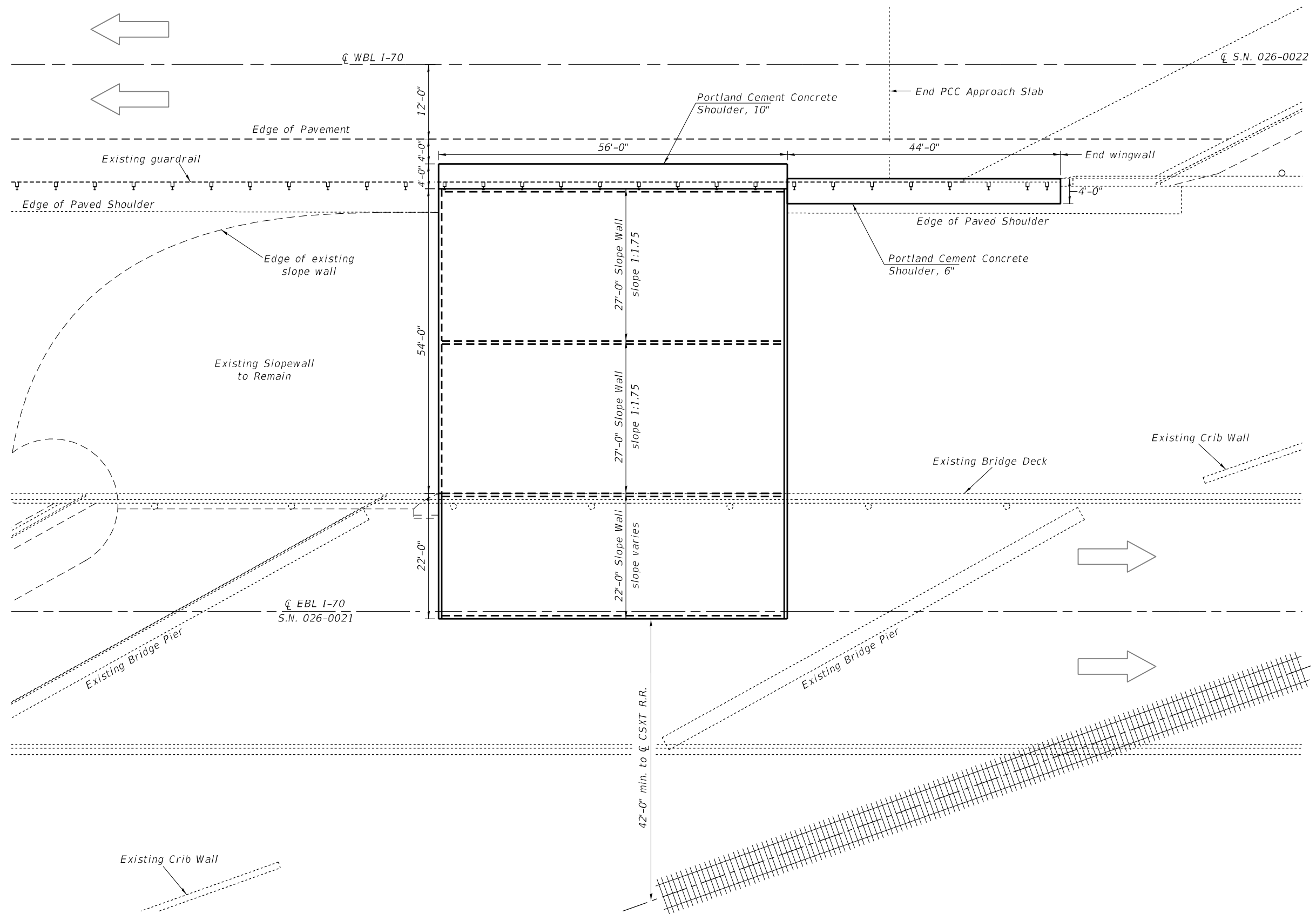
MODEL: Default
 FILE NAME: p:\project-cw-beadefy.com\FW\DOT\Documents\DOT Office\District 7\Projects\74A87\CADD\DATA\CAD\Project\74A87-SP-026-0022-SlopeWallReco.dgn

USER NAME = steffenmk	DESIGNED - T. Walk	REVISED -
	DRAWN - T. Walk	REVISED -
PLOT SCALE = 100,0000' / in.	CHECKED - D. Macklin	REVISED -
PLOT DATE = 8/18/2021	DATE - June 2021	REVISED -

STATE OF ILLINOIS
DEPARTMENT OF TRANSPORTATION

SLOPE WALL REMOVAL			
S.N. 026-0021 & 026-0022			
SCALE:	SHEET 1	OF 3 SHEETS	STA. TO STA.

** D7 SLOPEWALL REPAIR 2022-1				
F.A.J. RTE.	SECTION	COUNTY	TOTAL SHEETS	SHEET NO.
70	**	FAYETTE	7	5
CONTRACT NO. 74A87				
ILLINOIS FED. AID PROJECT				



MODEL: Default
 FILE NAME: p:\ultra-cw-beadby.com\PIV\DOT\Documents\DOT Office\District 7\Projects\74A87\CADD\DATA\CAD\Sheet\74A87-sh-026-0022-SlopeWallRepa.dgn

USER NAME = steffennk	DESIGNED - T. Walk	REVISED -
	DRAWN - T. Walk	REVISED -
PLOT SCALE = 100,0000' / in.	CHECKED - D. Macklin	REVISED -
PLOT DATE = 8/18/2021	DATE - June 2021	REVISED -

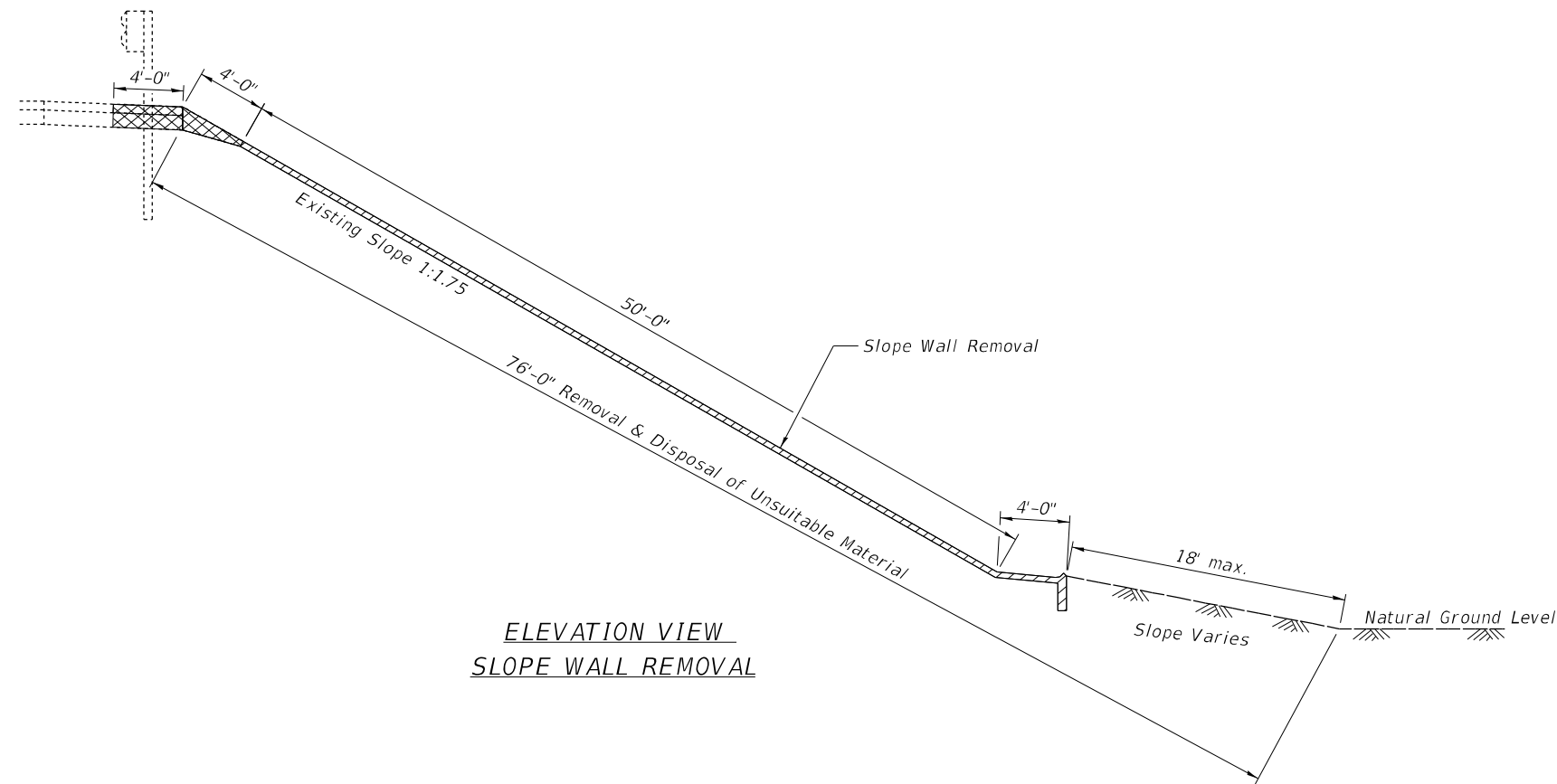
STATE OF ILLINOIS
DEPARTMENT OF TRANSPORTATION

PROPOSED SLOPE WALL
S.N. 026-0021 & 026-0022

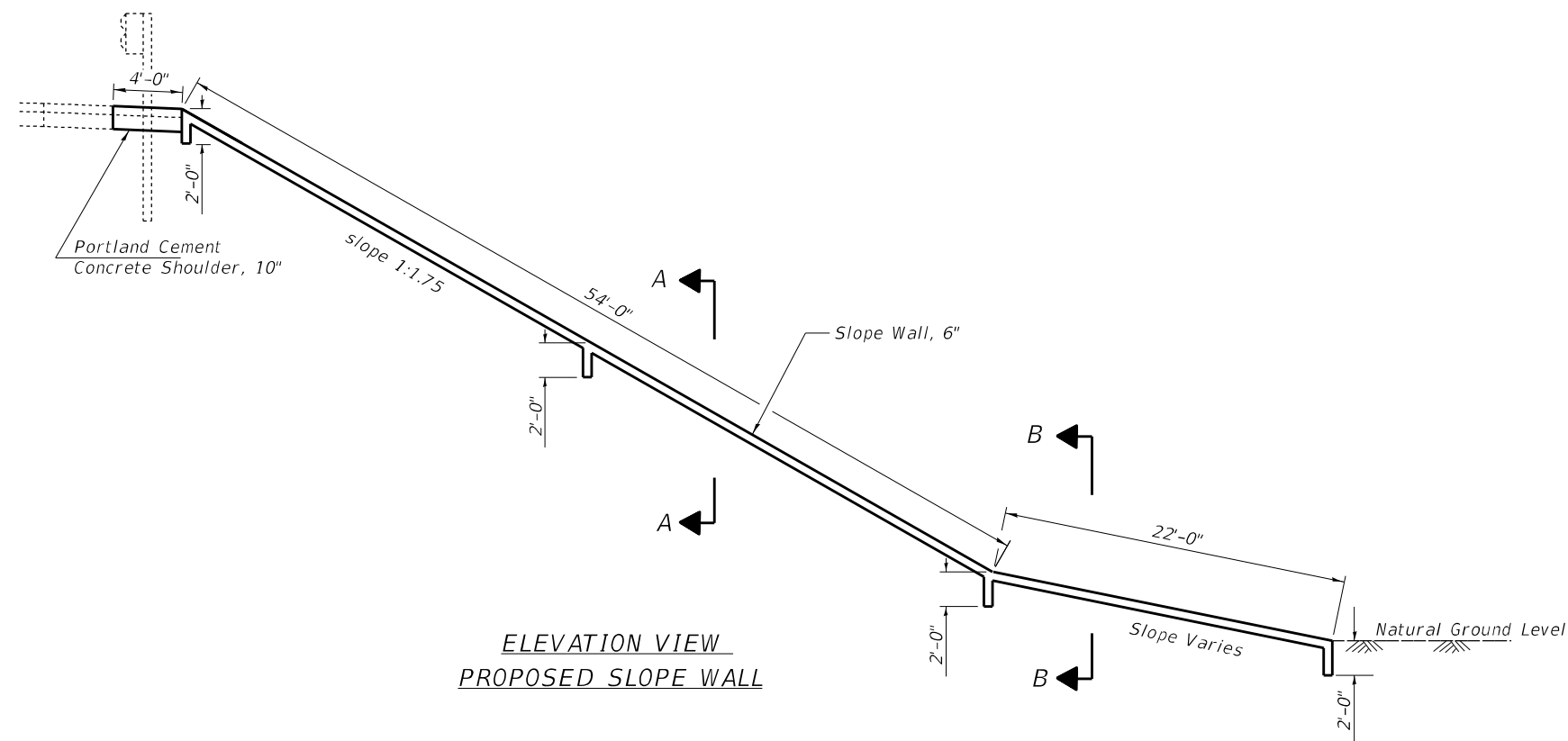
SCALE: SHEET 2 OF 3 SHEETS STA. TO STA.

** D7 SLOPEWALL REPAIR 2022-1

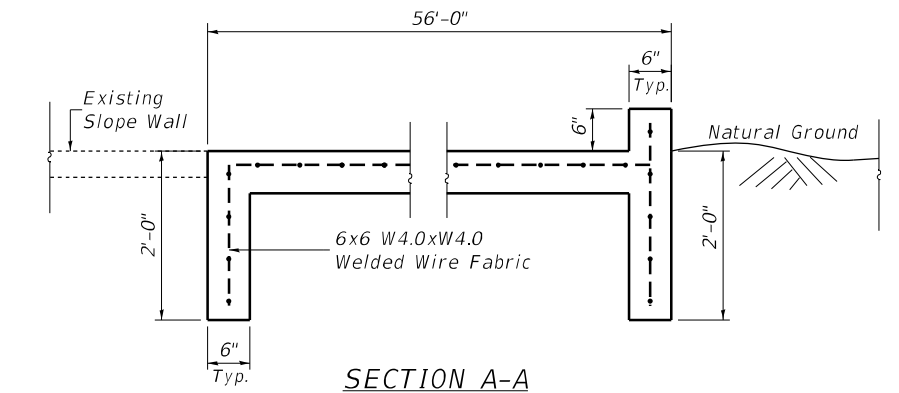
F.A.J. RTE.	SECTION	COUNTY	TOTAL SHEETS	SHEET NO.
70	**	FAYETTE	7	6
CONTRACT NO. 74A87				
ILLINOIS FED. AID PROJECT				



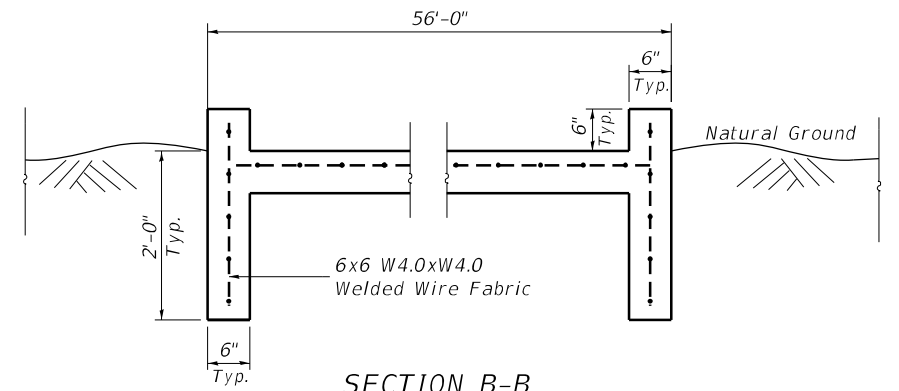
ELEVATION VIEW
SLOPE WALL REMOVAL



ELEVATION VIEW
PROPOSED SLOPE WALL



SECTION A-A



SECTION B-B

NOTES

Prior to partial removal of any concrete structure, a 3/4" deep saw cut shall be made along all boundaries of the removal area. Saw cuts will be included with the cost of slope wall removal.

Existing unsuitable embankment material shall be removed as directed by the Engineer. The removal will be paid for as Removal & Disposal of Unsuitable Materials.

In areas of voids under the existing slope wall and areas where unsuitable materials are removed, the embankment shall be reconstructed with Subbase Granular Material, Type B. The Subbase Granular Material shall be gradation CA6 unless otherwise specified by the Engineer.

TOTAL BILL OF MATERIALS

ITEM	UNIT	QUANTITY
Slope Wall Removal	Sq. Yd.	350
Slope Wall 6 Inch	Sq. Yd.	475
Protective Coat	Sq. Yd.	475
Removal & Disposal of Unsuitable Materials	Cu. Yd.	240
Subbase Granular Material, Type B	Ton	450
Portland Cement Concrete Shoulder 10"	Sq. Yd.	25
Portland Cement Concrete Shoulder 6"	Sq. Yd.	20
Paved Shoulder Removal	Sq. Yd.	70

MODEL: Default
 FILE NAME: p:\ultra\paw_becad\paw.com\PIV\DOT\Documents\DOT Office\Director_T\Projects\74A87\CADD\DATA\CAD\PROJECTS\DOT\74A87-SP-026-0022_SlopedWallReco.dgn
 PROJECT: 74A87

USER NAME = steffenmk	DESIGNED - T. Walk	REVISED -
	DRAWN - T. Walk	REVISED -
PLOT SCALE = 100,0000' / in.	CHECKED - D. Macklin	REVISED -
PLOT DATE = 8/18/2021	DATE - June 2021	REVISED -

**STATE OF ILLINOIS
DEPARTMENT OF TRANSPORTATION**

SLOPE WALL DETAILS	
S.N. 026-0021 & 026-0022	
SCALE:	SHEET 3 OF 3 SHEETS STA. TO STA.

** D7 SLOPEWALL REPAIR 2022-1

F.A.J. RTE.	SECTION	COUNTY	TOTAL SHEETS	SHEET NO.
70	**	FAYETTE	7	7
CONTRACT NO. 74A87				
		ILLINOIS	FED. AID PROJECT	