

STATE OF ILLINOIS
DEPARTMENT OF TRANSPORTATION

FAI ROUTE	SECTION	COUNTY	TOTAL SHEETS	SHEET NO.
290	2021-115-B-R	COOK	15	1
		ILLINOIS	CONTRACT NO. 62P48	

FOR INDEX OF SHEETS, SEE SHEET NO.

THE PROJECT IS LOCATED IN THE VILLAGE OF FOREST PARK

TRAFFIC DATA:
I-290 (EISENHOWER EXPY.)

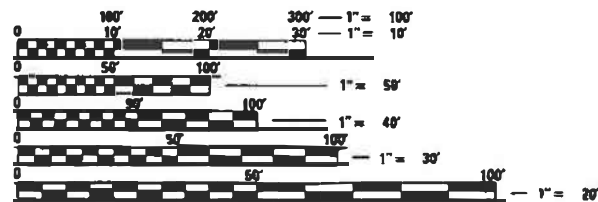
2019 ADT = 186,200
SPEED LIMIT = 55 MPH

PROPOSED
HIGHWAY PLANS

FAI ROUTE 290 : I-290 (EISENHOWER EXPRESSWAY)
OVER DES PLAINES RIVER
SECTION: 2021-115-B-R
BRIDGE REPAIRS / BRIDGE SUBSTRUCTURE REPAIR
COOK COUNTY

C-91-240-21

PROJECT LOCATION
I-290 OVER DES PLAINES RIVER
SN: 016-0090

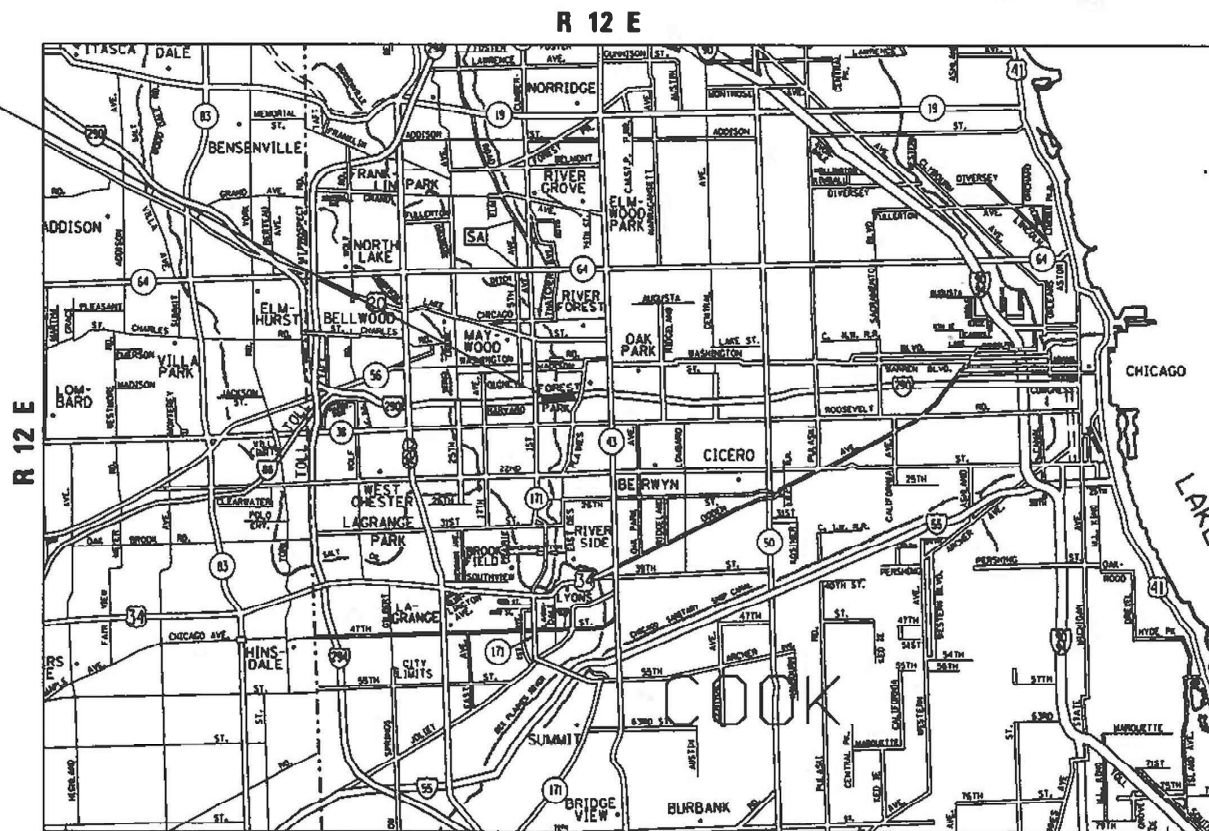


FULL SIZE PLANS HAVE BEEN PREPARED USING STANDARD ENGINEERING SCALES. REDUCED SIZED PLANS WILL NOT CONFORM TO STANDARD SCALES. IN MAKING MEASUREMENTS ON REDUCED PLANS, THE ABOVE SCALES MAY BE USED.

J.U.L.I.E.
JOINT UTILITY LOCATION INFORMATION FOR EXCAVATORS
1-800-892-0123
OR 811

PROJECT MANAGER: J. ALAIN MIDY (847) 221-3056

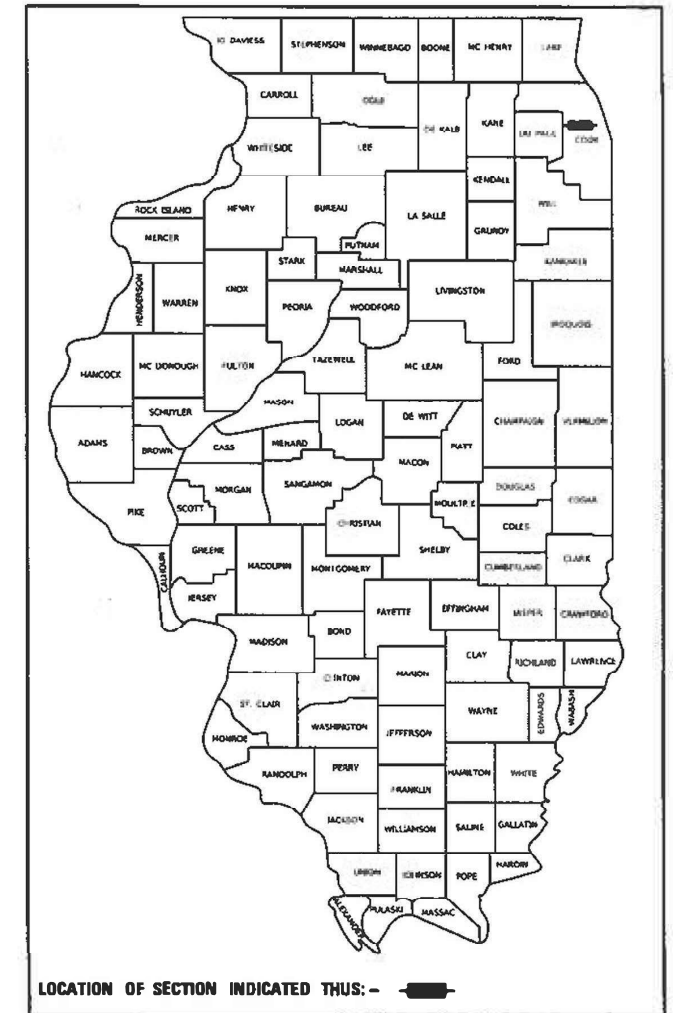
CONTRACT NO. 62P48



PROVISO TOWNSHIP

GROSS & NET LENGTH = 275 FT. = 0.052 MILE

D-91-201-21



LOCATION OF SECTION INDICATED THIS: -

STATE OF ILLINOIS
DEPARTMENT OF TRANSPORTATION

SUBMITTED August 4 20 21
John Ross [Signature]
REGIONAL ENGINEER
October 1 20 21
[Signature]
ENGINEER OF DESIGN AND ENVIRONMENT
October 21 21
Stephen M. [Signature]
DIRECTOR OF HIGHWAYS PROJECT IMPLEMENTATION

PRINTED BY THE AUTHORITY
OF THE STATE OF ILLINOIS

INDEX OF SHEETS

SHEET NO.	DESCRIPTION
1	COVER SHEET
2	INDEX OF SHEETS, STANDARDS, AND GENERAL NOTES
3	SUMMARY OF QUANTITIES
4	MIXTURE REQUIREMENTS
5-12	SUBSTRUCTURE REPAIR SHEETS (SN 016-0090)
13	I-290 EISENHOWER EXPRESSWAY PATCHING
14	TRAFFIC CONTROL DETAILS FOR FREEWAY SINGLE & MULTI-LANE WEAVE (TC-09)
15	SHOULDER CLOSURES AND PARTIAL RAMP CLOSURES (TC-17)

STANDARD NO.	DESCRIPTION
00000-08	STANDARD SYMBOLS, ABBREVIATIONS AND PATTERNS
701400-10	APPROACH TO LANE CLOSURE, FREEWAY/EXPRESSWAY
701401-12	LANE CLOSURE, FREEWAY / EXPRESSWAY
701402-12	LANE CLOSURE, FREEWAY / EXPRESSWAY, WITH BARRIER
701406-12	LANE CLOSURE, FREEWAY / EXPRESSWAY, DAY OPERATIONS ONLY
701901-08	TRAFFIC CONTROL DEVICES

GENERAL NOTES

- BEFORE STARTING ANY EXCAVATION, THE CONTRACTOR SHALL CALL "JULIE" AT 800-892-0123 OR 811 FOR FIELD LOCATIONS OF BURIED ELECTRIC, TELEPHONE AND GAS FACILITIES. (48 HOUR NOTIFICATION IS REQUIRED).
- THE CONTRACTOR SHALL COORDINATE CONSTRUCTION ACTIVITIES WITH UTILITY COMPANIES AND THE VILLAGE OF FOREST PARK.
- THE CONTRACTOR WILL NOT BE ALLOWED TO SET UP A YARD OR FIELD OFFICE ON STATE PROPERTY WITHOUT WRITTEN PERMISSION FROM THE DEPARTMENT.
- IT SHALL BE THE CONTRACTOR'S RESPONSIBILITY TO VERIFY ALL DIMENSIONS AND CONDITIONS EXISTING IN THE FIELD PRIOR TO CONSTRUCTION AND ORDERING OF MATERIALS.
- THE CONTRACTOR SHALL BE REQUIRED TO PROVIDE ACCESS TO ABUTTING PROPERTY AT ALL TIMES DURING THE CONSTRUCTION OF THIS PROJECT.
- THE CONTRACTOR SHALL CONTACT THE DISTRICT ONE TRAFFIC CONTROL SUPERVISOR AT (847)705-4151 (72 HOURS IN ADVANCE OF BEGINNING WORK).
- THESE PLANS HAVE BEEN PREPARED FROM NOTES RECEIVED FROM THE BUREAU OF MAINTENANCE BRIDGE INSPECTORS.
- DO NOT SCALE PLANS FOR CONSTRUCTION DIMENSIONS.
- PLAN DIMENSIONS AND DETAILS RELATIVE TO EXISTING PLANS ARE SUBJECT TO NOMINAL CONSTRUCTION VARIATIONS. THE CONTRACTOR SHALL FIELD VERIFY EXISTING DIMENSIONS AND DETAILS AFFECTING NEW CONSTRUCTION AND MAKE NECESSARY APPROVED ADJUSTMENTS PRIOR TO CONSTRUCTION OR ORDERING OF MATERIALS. SUCH VARIATIONS SHALL NOT BE CAUSE FOR ADDITIONAL COMPENSATION FOR A CHANGE IN SCOPE OF THE WORK, HOWEVER THE CONTRACTOR WILL BE PAID FOR THE QUANTITY ACTUALLY FURNISHED BASED AT THE UNIT PRICE BID FOR THE WORK.
- THE CONTRACTOR SHALL REQUEST AND GAIN THE APPROVAL FROM THE ILLINOIS DEPARTMENT OF TRANSPORTATION'S EXPRESSWAY TRAFFIC OPERATIONS ENGINEER AT WWW.IDOTLCS.COM TWENTY FOUR (24) HOURS IN ADVANCE OF ALL DAILY LANE, RAMP AND SHOULDER CLOSURES. THIS ADVANCE NOTIFICATION IS CALCULATED BASED ON WORKWEEK OF MONDAY THROUGH FRIDAY AND SHALL NOT INCLUDE WEEKENDS OR HOLIDAYS.

MODEL: Default
 FILE NAME: \\hannanroom.dot.illinois.gov\PIWDOT\Documents\DOT_Offices\District 1\Projects\ID 2012\ICADData\Design\ID130121\zsh-generates.dgn

USER NAME = hassan	DESIGNED -	REVISED -	STATE OF ILLINOIS DEPARTMENT OF TRANSPORTATION	I-290 EISENHOWER EXPWY /OVER DES PLAINES RIVER (SN 016-0090) INDEX OF SHEETS, STANDARDS, & GENERAL NOTES	F.A.J. RTE.	SECTION	COUNTY	TOTAL SHEETS	SHEET NO.
PLOT SCALE = 100,0000 ' / in.	DRAWN -	REVISED -			290	2021-115-B-R	COOK	15	2
PLOT DATE = 8/11/2021	CHECKED -	REVISED -			CONTRACT NO. 62P48				
	DATE -	REVISED -			SCALE:		SHEET	OF	SHEETS
					ILLINOIS FED. AID PROJECT				

SUMMARY OF QUANTITIES			100% STATE TOTAL QUANTITIES	CONSTRUCTION TYPE CODE						SUMMARY OF QUANTITIES			TOTAL QUANTITIES	CONSTRUCTION TYPE CODE							
CODE NO	ITEM	UNIT		URBAN 0013							CODE NO	ITEM		UNIT							
40600290	BITUMINOUS MATERIALS (TACK COAT)	POUND	40	40																	
40604062	HOT-MIX ASPHALT SURFACE COURSE, IL-9.5, MIX "D", N70	TON	7.5	7.5																	
44201821	CLASS D PATCHES, TYPE IV, 14 INCH	SO YD	64	64																	
67000400	ENGINEER'S FIELD OFFICE, TYPE A	CAL MO	12	12																	
67100100	MOBILIZATION	LSUM	1	1																	
70200100	NIGHTTIME WORK ZONE LIGHTING	LSUM	1	1																	
X7011015	TRAFFIC CONTROL AND PROTECTION (EXPRESSWAYS)	LSUM	1	1																	
X4400100	PORTLAND CEMENT CONCRETE SURFACE REMOVAL (VARIABLE DEPTH)	SO YD	88	88																	
Z0012754	STRUCTURAL REPAIR OF CONCRETE (DEPTH EQUAL TO OR LESS THAN 5 INCHES)	SO FT	797	797																	
Z0073200	TEMPORARY SHORING AND CRIBBING	EACH	34	34																	

MIXTURE REQUIREMENTS		QUALITY MANAGEMENT PROGRAM (QMP)
MIXTURE USES	VOIDS @ Ndes	
PAVEMENT RESURFACING		
HOT-MIX ASPHALT SURFACE COURSE, MIX "D", IL-9.5, N70, 1 ½"	4% AT 70 GYR.	QC/QA
PATCHING		
HOT-MIX ASPHALT SURFACE COURSE, MIX "D", IL-9.5, N70, 2"	4% AT 70 GYR.	QC/QA
CLASS D PATCHES (HMA BINDER, IL-19.0), 12"	4% AT 70 GYR.	QC/QA
QMP Designation: Quality Control/Quality Assurance (QC/QA); Quality Control for Performance (QCP)		

NOTE 1: THE UNIT WEIGHT USED TO CALCULATE ALL HMA SURFACE MIXTURE QUANTITIES IS 112 LBS/SQYD/IN

NOTE 2: THE "AC TYPE" FOR POLYMERIZED HMA MIXES SHALL BE "SBS/SBR PG 76-22" AND FOR NON-POLYMERIZED HMA THE "AC TYPE" SHALL BE "PG 64-22" UNLESS MODIFIED BY DISTRICT ONE SPECIAL PROVISIONS. FOR USE OF RECYCLED MATERIALS SEE SPECIAL PROVISIONS.

QUALITY MANAGEMENT PROGRAM (QMP) IDENTIFIES THE PARTICULAR QUALITY CONTROL SPECIFICATION THAT APPLIES TO THE HMA MIXTURE

MODEL: Default
 FILE NAME: p:\u0030\m0000.dwg
 PROJECT: I-290 EISENHOWER EXPWAY / OVER DES PLAINES RIVER (SN 016-0090)
 PROJECT ID: 2021-115-B-R
 COUNTY: COOK
 SHEET NO.: 4
 CONTRACT NO.: 62P48
 DATE: 8/11/2021

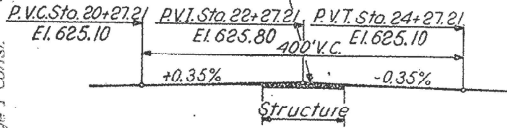
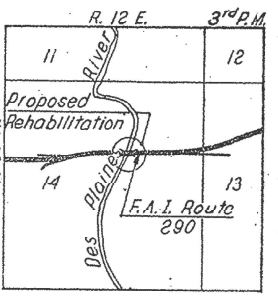
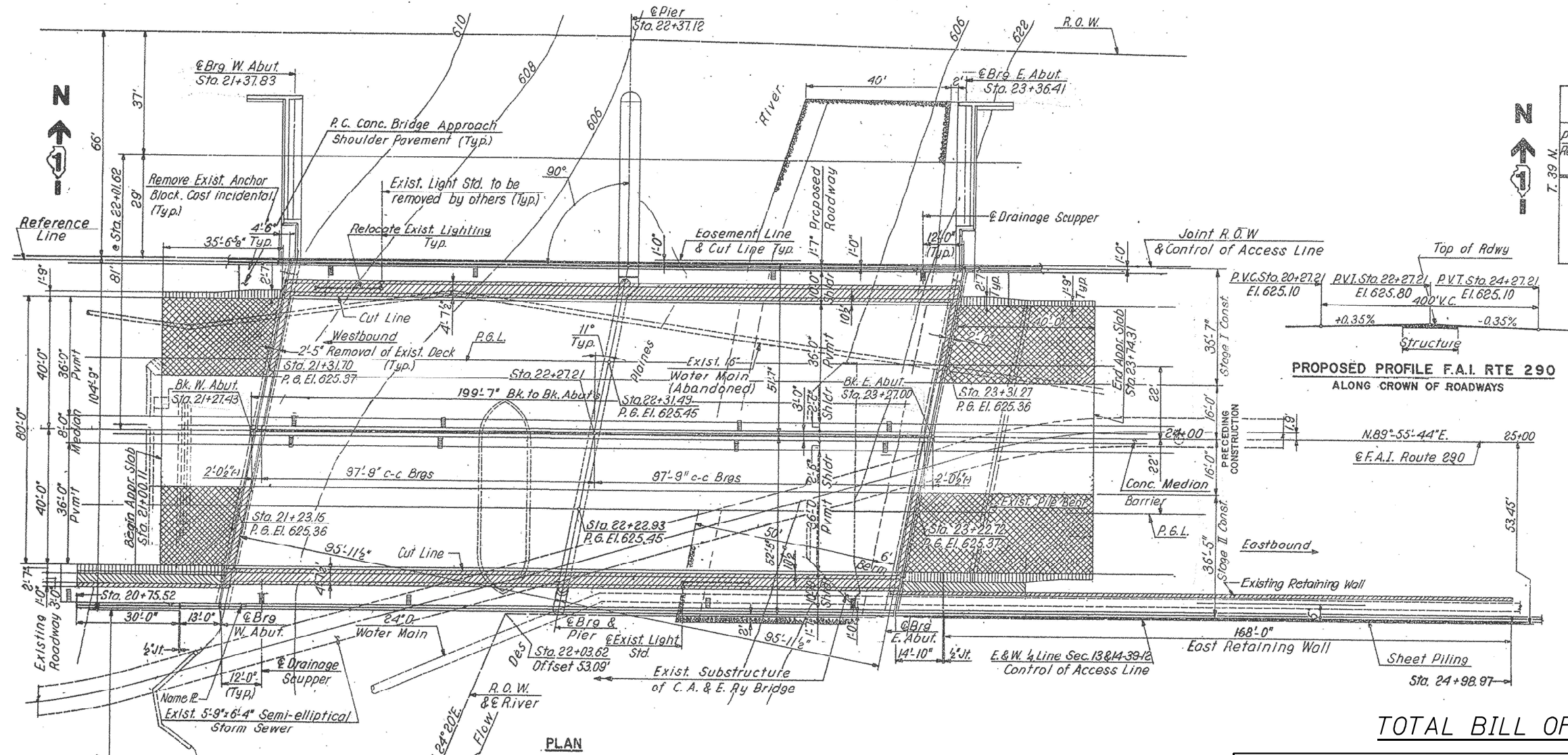
USER NAME = hassan	DESIGNED -	REVISED -
	DRAWN -	REVISED -
PLOT SCALE = 100,0000 ' / in.	CHECKED -	REVISED -
PLOT DATE = 8/11/2021	DATE -	REVISED -

**STATE OF ILLINOIS
DEPARTMENT OF TRANSPORTATION**

**I-290 EISENHOWER EXPWAY / OVER DES PLAINES RIVER (SN 016-0090)
MIXTURE REQUIREMENTS**

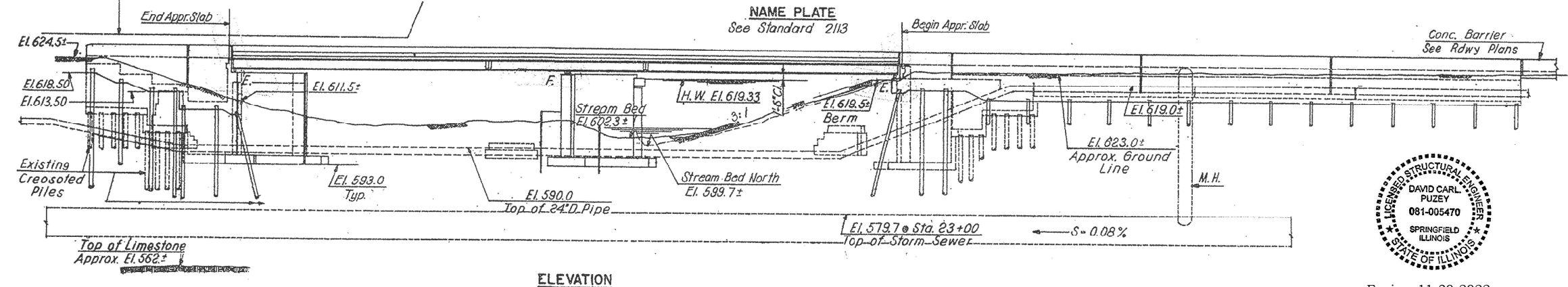
SCALE: SHEET OF SHEETS STA. TO STA.

F.A.J. RTE.	SECTION	COUNTY	TOTAL SHEETS	SHEET NO.
290	2021-115-B-R	COOK	15	4
ILLINOIS FED. AID PROJECT			CONTRACT NO. 62P48	



TOTAL BILL OF MATERIAL

ITEM	UNIT	QUANTITY
STRUCTURAL REPAIR OF CONCRETE < 5 INCHES	SQ FT	797
TEMP. SHORING & CRIBBING	EACH	34



Expires 11-30-2022
D. Carl Puzey

MODEL: Default
FILE: NAME: ...
PROJECTED: 12/12/2021
C:\DDATA\Design\120121-291-EXISTING BRIDGE PLAN.dgn

USER NAME = hassarn	DESIGNED -	REVISED -
	DRAWN -	REVISED -
PLOT SCALE = 100,0000' / in.	CHECKED -	REVISED -
PLOT DATE = 8/11/2021	DATE -	REVISED -

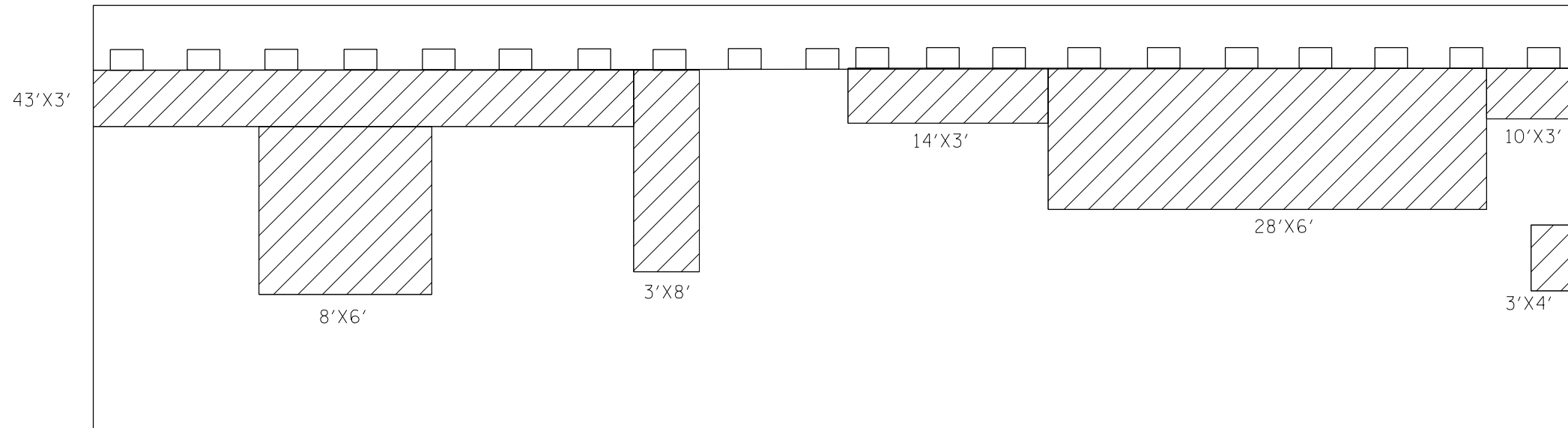
**STATE OF ILLINOIS
DEPARTMENT OF TRANSPORTATION**

**I-290 EISENHOWER EXPRESSWAY
OVER DES PLAINES RIVER**

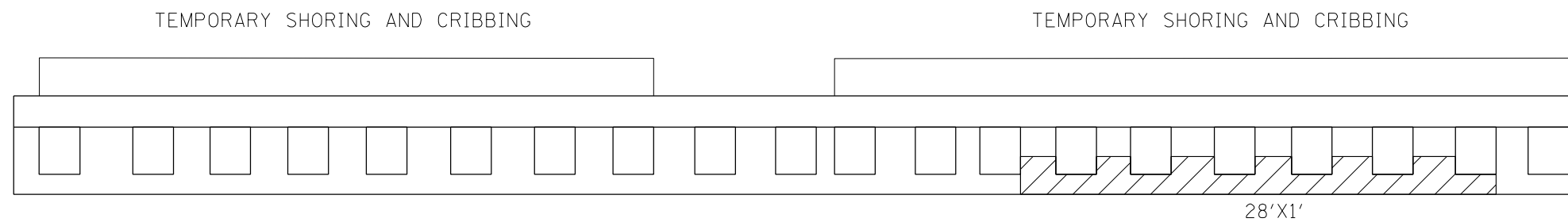
SCALE: SHEET OF SHEETS STA. TO STA.

F.A.I. RTE.	SECTION	COUNTY	TOTAL SHEETS	SHEET NO.
290	2021-115-B-R	COOK	15	5
CONTRACT NO. 62P48				

ILLINOIS FED. AID PROJECT



WEST ABUTMENT ELEVATION



PLAN WEST ABUTMENT

WEST ABUTMENT BILL OF MATERIAL

ITEM	UNIT	QUANTITY
STRUCTURAL REPAIR OF CONCRETE \leq 5 INCHES	SQ FT	481
TEMP. SHORING & CRIBBING	EACH	18

BEAM REACTION TABLE				
	Bm. 1		Bm. 20	
	Abut.	Pier	Abut.	Pier
R DL (K)	44.0	141.0	46.6	149.8
R LL (K)	31.0	51.3	37.5	59.9
R IMP (K)	7.0	8.0	8.4	9.3
R (TOTAL) (K)	82.0	200.3	92.5	219.0

MODEL: Default
 FILE NAME: p:\hamranom.dwt\illinois.gov\PIWDOT\Documents\DOT_Offices\Distric: 1\Projects\2012\CADDData\Design\012012-2ht-abt.dwg

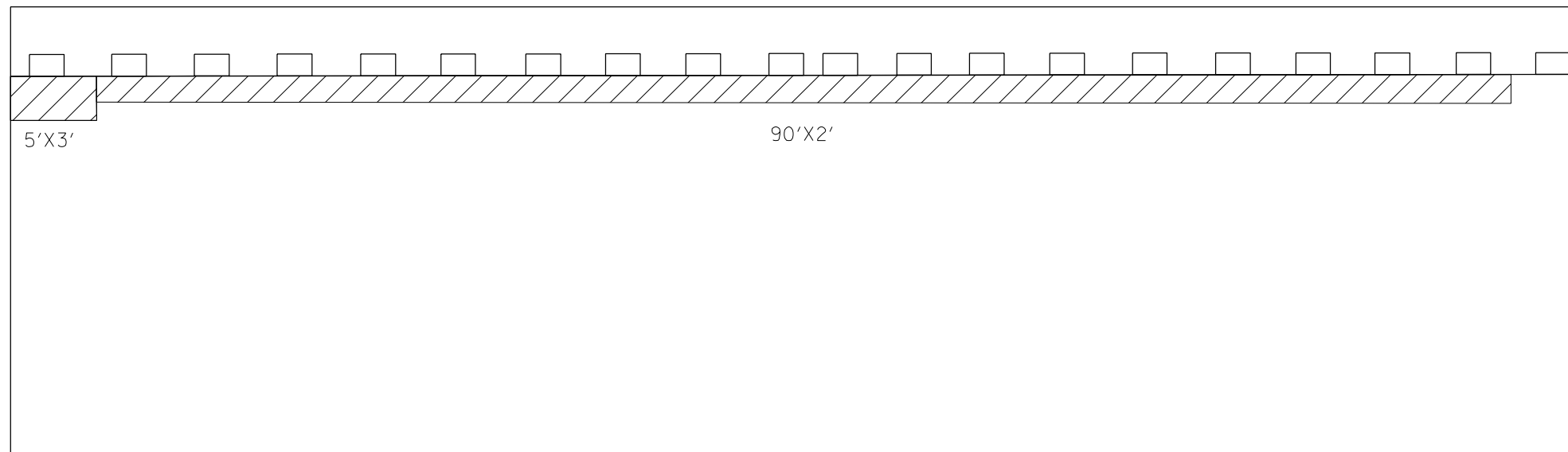
USER NAME = hassan	DESIGNED -	REVISED -
PLOT SCALE = 100,0000' / in.	DRAWN -	REVISED -
PLOT DATE = 8/11/2021	CHECKED -	REVISED -
	DATE -	REVISED -

**STATE OF ILLINOIS
DEPARTMENT OF TRANSPORTATION**

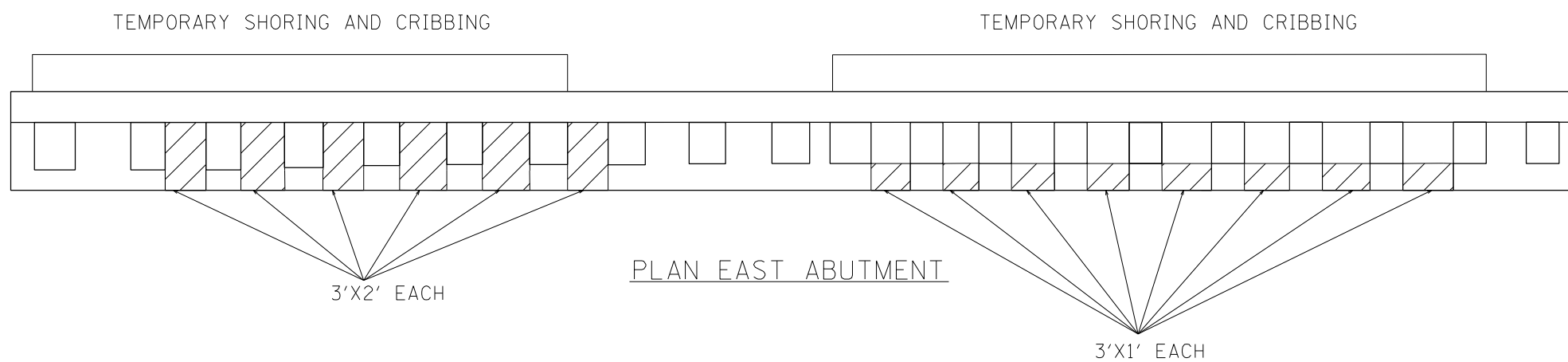
I-290 Eisenhower Expressway
Over Des Plaines River (WEST ABUTMENT)

SCALE: SHEET 1 OF 3 SHEETS STA. TO STA.

F.A.J. RTE.	SECTION	COUNTY	TOTAL SHEETS	SHEET NO.
290	2021-115-B-R	COOK	15	6
CONTRACT NO. 62P48				
ILLINOIS FED. AID PROJECT				



EAST ABUTMENT ELEVATION



PLAN EAST ABUTMENT

EAST ABUTMENT BILL OF MATERIAL

ITEM	UNIT	QUANTITY
STRUCTURAL REPAIR OF CONCRETE ≤ 5 INCHES	SQ FT	255
TEMP. SHORING & CRIBBING	EACH	16

MODEL: Default
 FILE NAME: p:\hammon.dwt\illinois.gov\PIWDOT\Documents\DOT_Offices\District 1\Projects\2012\CADD\Drawings\Design\2012\21-eh-abt.dgn

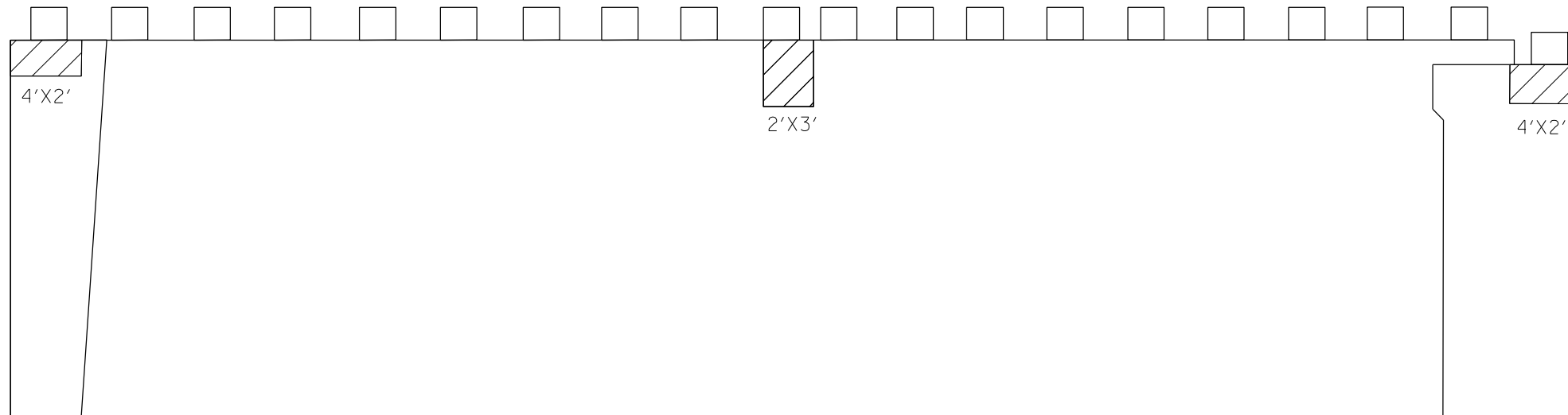
USER NAME = hassan	DESIGNED -	REVISED -
PLOT SCALE = 100,0000' / in.	DRAWN -	REVISED -
PLOT DATE = 8/11/2021	CHECKED -	REVISED -
	DATE -	REVISED -

**STATE OF ILLINOIS
DEPARTMENT OF TRANSPORTATION**

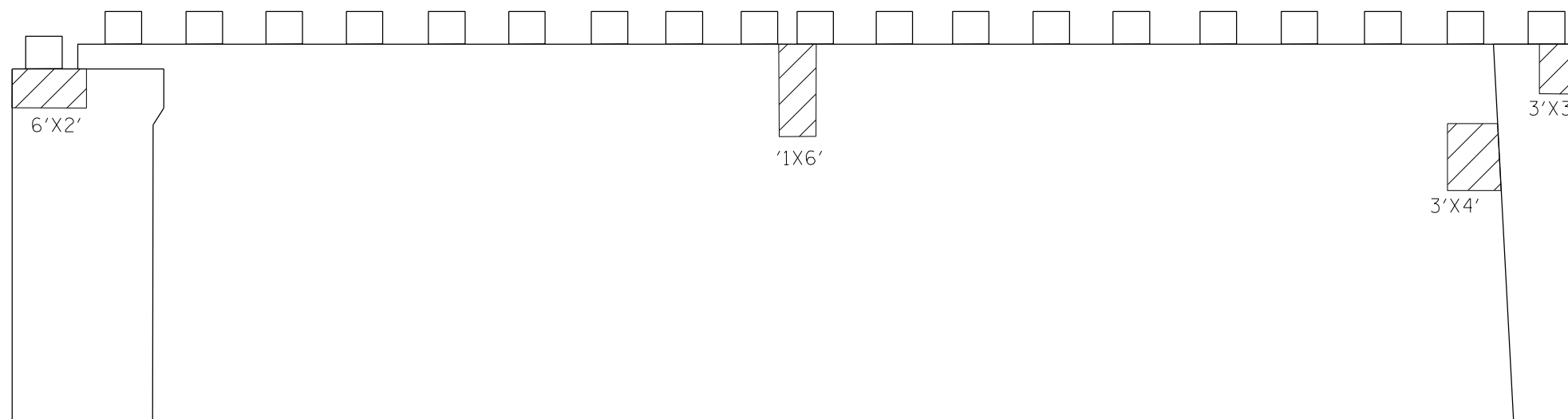
I-290 Eisenhower Expressway
Over Des Plaines River (EAST ABUTMENT)

SCALE: SHEET 2 OF 3 SHEETS STA. TO STA.

F.A.J. RTE.	SECTION	COUNTY	TOTAL SHEETS	SHEET NO.
290	2021-115-B-R	COOK	15	7
ILLINOIS FED. AID PROJECT			CONTRACT NO. 62P48	



PIER EAST FACE ELEVATION



PIER WEST FACE ELEVATION

PIER 1 EAST FACE BILL OF MATERIAL

	ITEM	UNIT	QUANTITY
	STRUCTURAL REPAIR OF CONCRETE ≤ 5 INCHES	SQ FT	61

MODEL: Default
 FILE NAME: p:\hassan\room.dwg
 ILLINOIS DOT
 PROJECTS\2021\CADD\Drawings\DOT Office\Drawings\1\Projects\2021\CADD\Drawings\Design\012021-21-hyp-lbs.dwg

USER NAME = hassan	DESIGNED -	REVISED -
PLOT SCALE = 100,0000' / in.	DRAWN -	REVISED -
PLOT DATE = 8/11/2021	CHECKED -	REVISED -
	DATE -	REVISED -

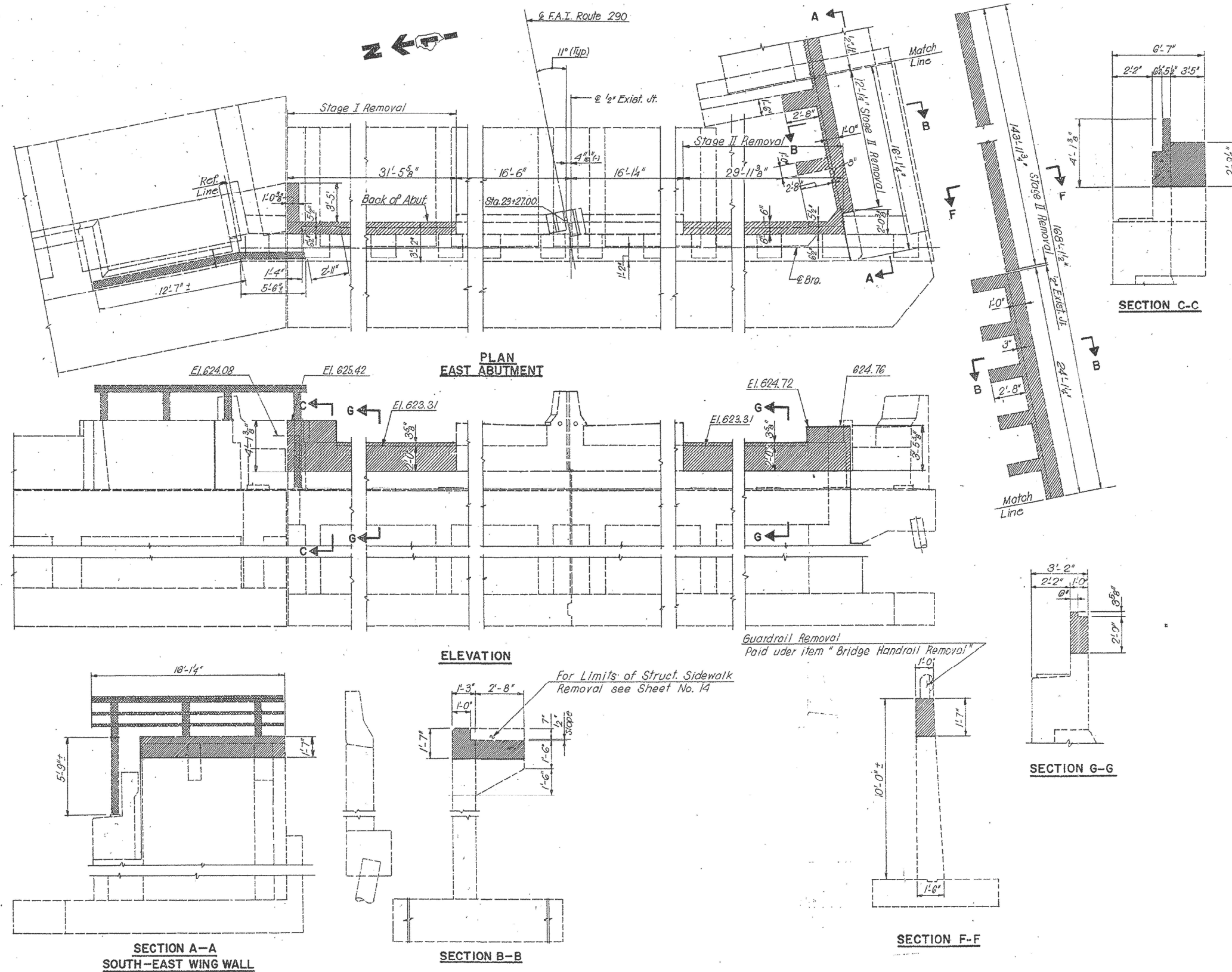
**STATE OF ILLINOIS
DEPARTMENT OF TRANSPORTATION**

I-290 Eisenhower Expressway
Over Des Plaines River (PIER)

SCALE: SHEET 3 OF 3 SHEETS STA. TO STA.

F.A.J. RTE.	SECTION	COUNTY	TOTAL SHEETS	SHEET NO.
290	2021-115-B-R	COOK	15	8
CONTRACT NO. 62P48			ILLINOIS FED. AID PROJECT	

MODEL: Default
 FILE NAME: p:\pub\mcr\mcr\pww\dtd\Documents\DOT Office\Distrefc 1\Project\2021\1-21-EXISTING BRIDGE PLAN.dwg
 PROJECT: 2021-11-20 10:12:11 C:\Data\Design\1\Project\2021-11-21-EXISTING BRIDGE PLAN.dwg



FOR INFORMATION ONLY

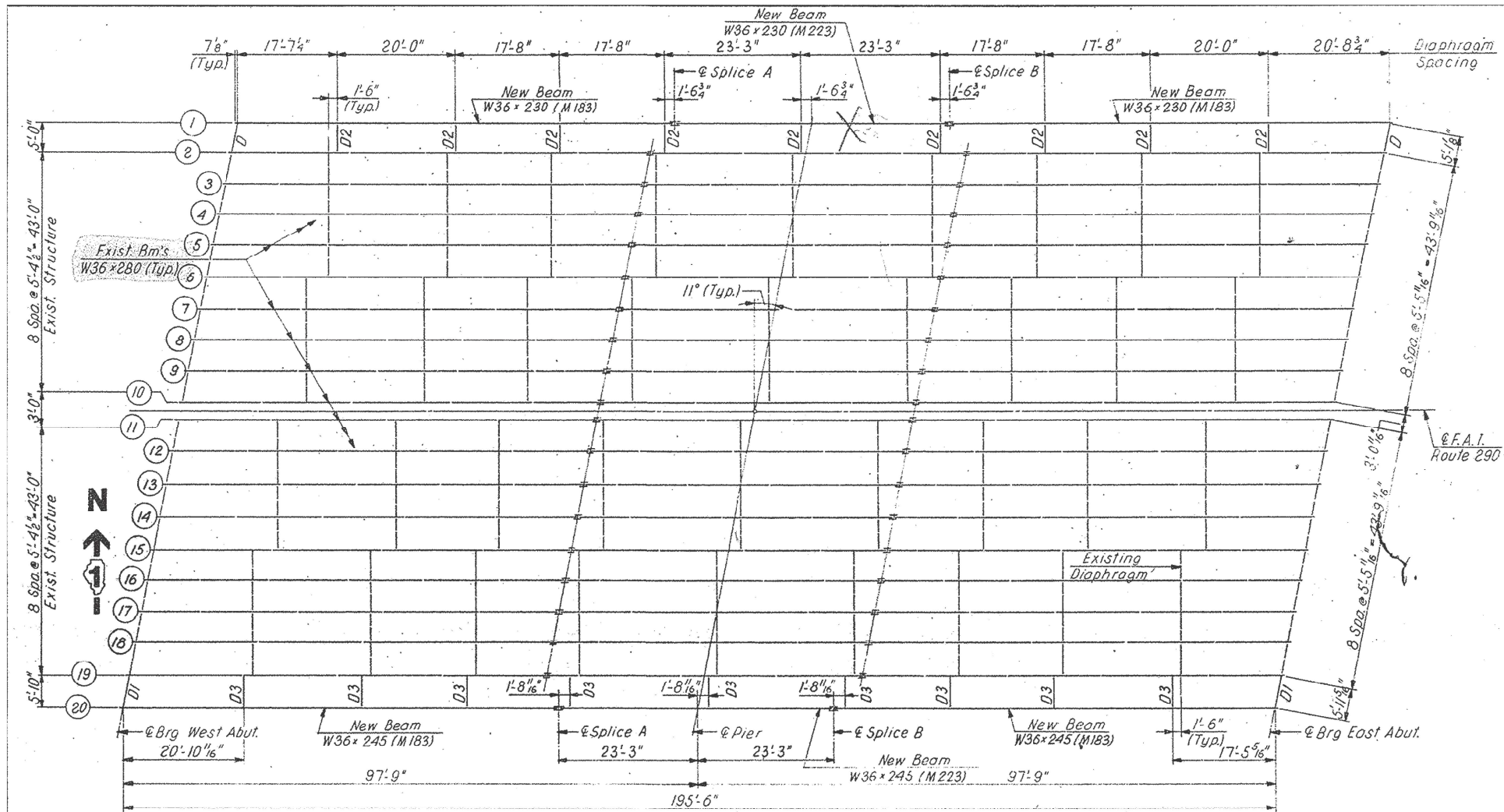
USER NAME = hassan	DESIGNED -	REVISED -
	DRAWN -	REVISED -
PLOT SCALE = 100,0000' / in.	CHECKED -	REVISED -
PLOT DATE = 8/11/2021	DATE -	REVISED -

STATE OF ILLINOIS
DEPARTMENT OF TRANSPORTATION

I-290 EISENHOWER EXPRESSWAY
OVER DES PLAINES RIVER

SCALE: SHEET OF SHEETS STA. TO STA.

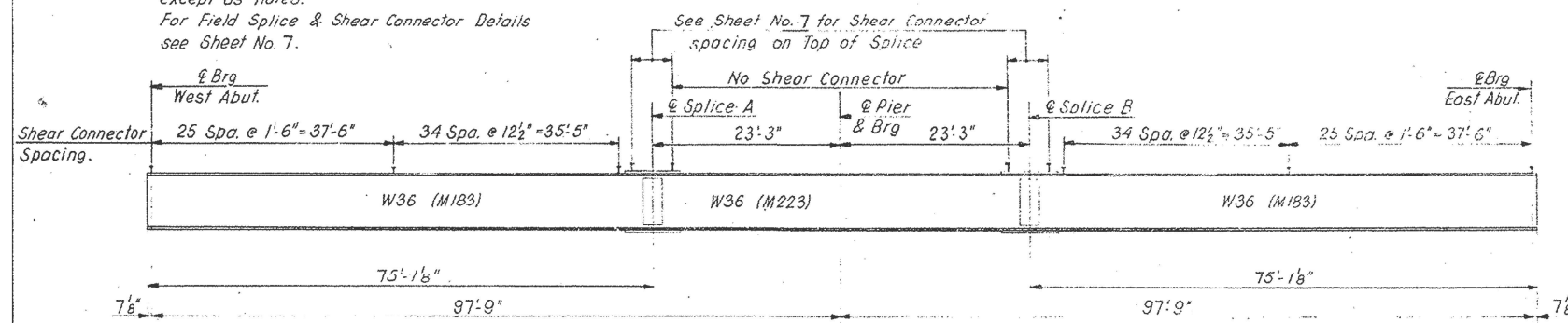
F.A.I. RTE.	SECTION	COUNTY	TOTAL SHEETS	SHEET NO.
290	2021-115-B-R	COOK	15	10
CONTRACT NO. 62P48				
ILLINOIS FED. AID PROJECT				



NOTES:

All Structural Steel shall be M183 (A36)
 except as noted.
 For Field Splice & Shear Connector Details
 see Sheet No. 7.

FRAMING PLAN
 (NOT PART OF THIS CONTRACT)



FOR INFORMATION ONLY

MODEL: Default
 FILE NAME: p:\planroom\dot\illinois\gov\pwwdot\Documents\IBDT Office\Drawings\1\Project\ID 2012\1\0\Drawings\Design\2012\290-EXISTING BRIDGE PLAN.dwg
 PROJECT: ID 2012\1\0\Drawings\Design\2012\290-EXISTING BRIDGE PLAN.dwg

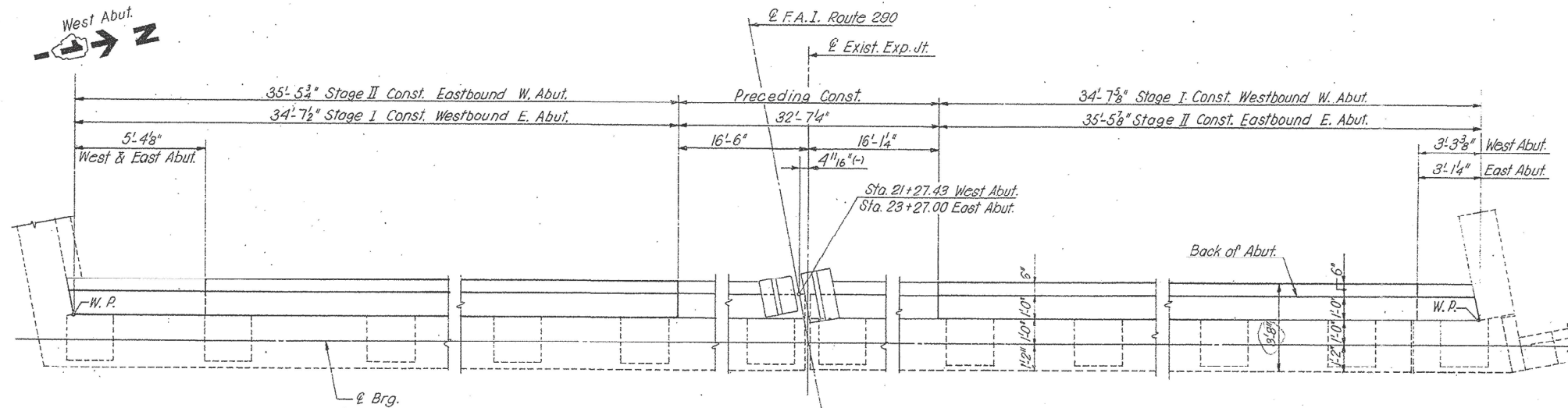
USER NAME = hassan	DESIGNED -	REVISED -
	DRAWN -	REVISED -
PLOT SCALE = 100,0000' / in.	CHECKED -	REVISED -
PLOT DATE = 8/11/2021	DATE -	REVISED -

STATE OF ILLINOIS
DEPARTMENT OF TRANSPORTATION

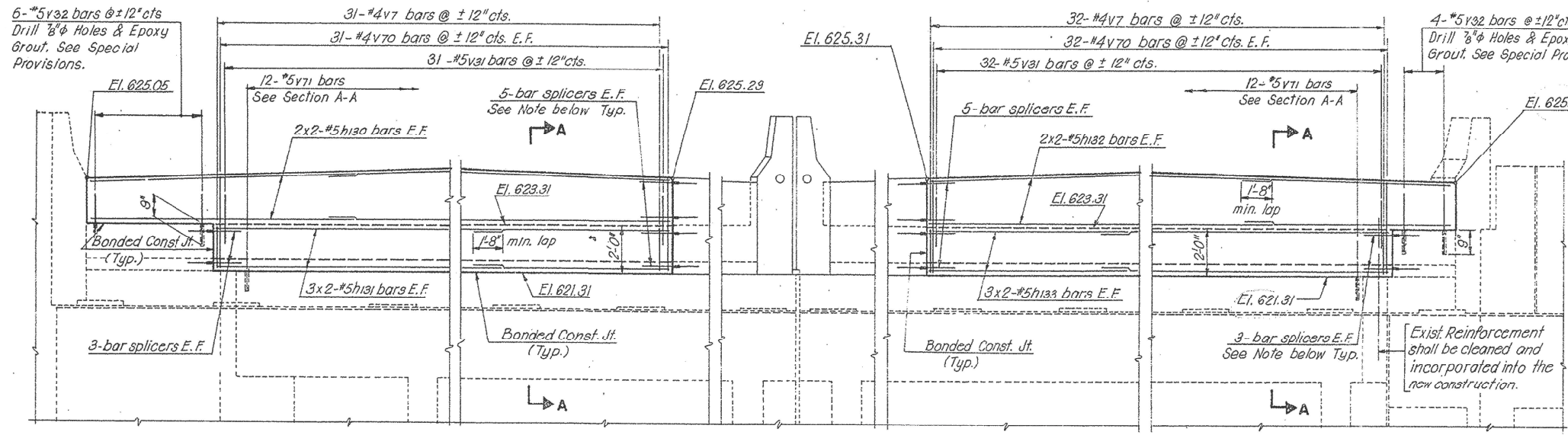
I-290 EISENHOWER EXPRESSWAY
OVER DES PLAINES RIVER

SCALE: SHEET OF SHEETS STA. TO STA.

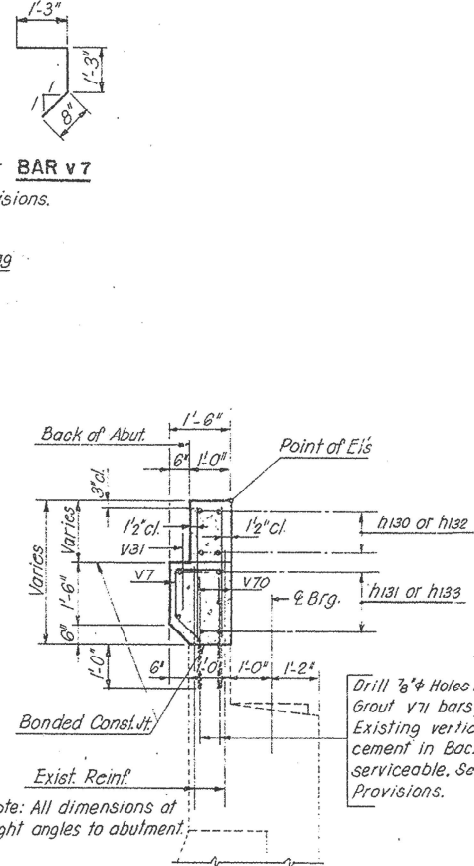
F.A.I. RTE.	SECTION	COUNTY	TOTAL SHEETS	SHEET NO.
290	2021-115-B-R	COOK	15	11
CONTRACT NO. 62P48				
ILLINOIS FED. AID PROJECT				



PLAN
(West Abut. shown, East Abut. similar)



ELEVATION



Note:
64 - 3/4" x 24" Threaded or coil rods shall be furnished by State.
Cost of installing rods incidental to Reinforcement Bars.
See Sheet No. 1B

Exist. Reinforcement shall be cleaned and incorporated into the new construction.

Drill 3/8" Holes & Epoxy Grout V71 bars, where Existing vertical Reinforcement in Backwall is not serviceable. See Special Provisions.

FOR INFORMATION ONLY

MODEL Path: ... FILE NAME: ... PROJECT ID: ...

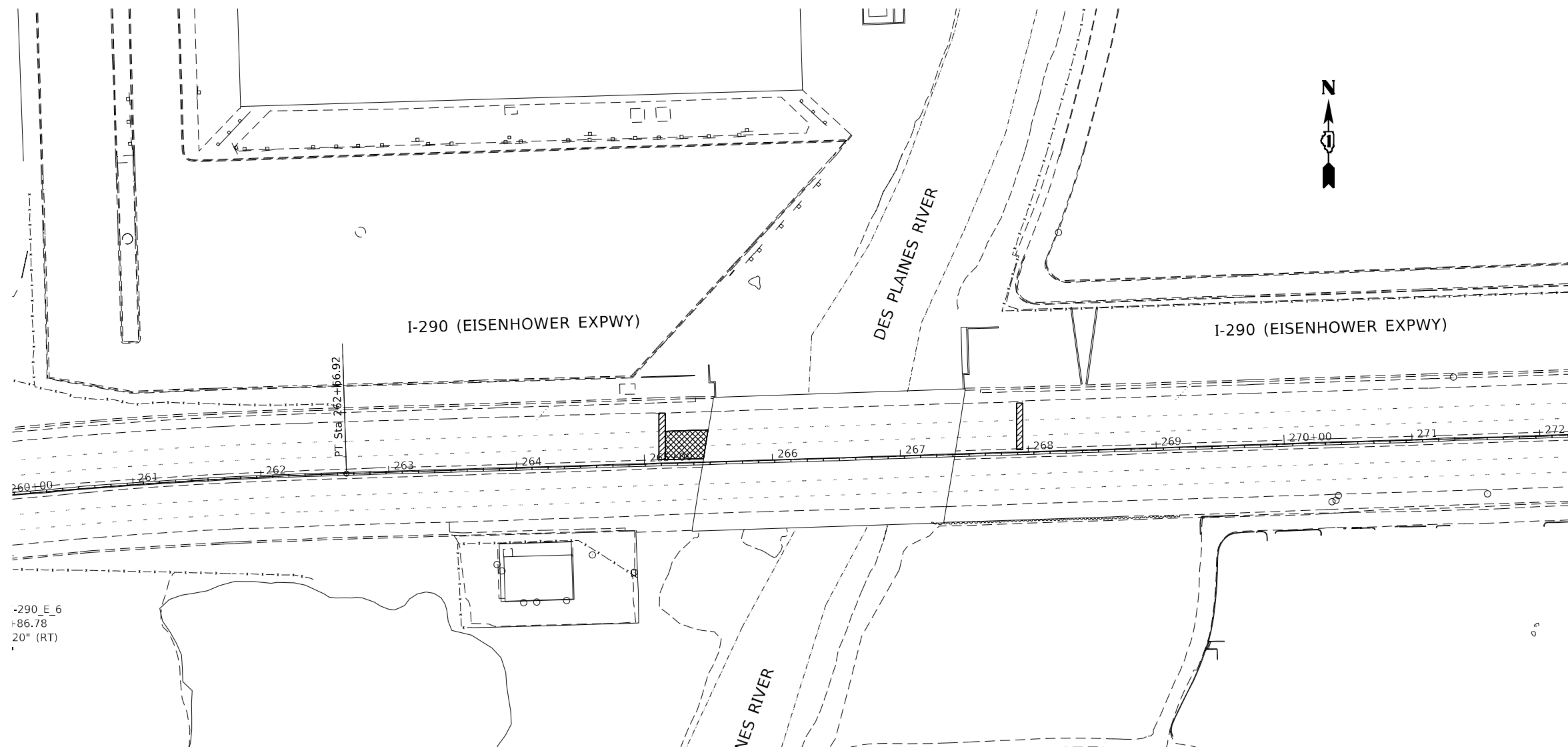
USER NAME = hassan	DESIGNED -	REVISED -
	DRAWN -	REVISED -
PLOT SCALE = 100,0000' / in.	CHECKED -	REVISED -
PLOT DATE = 8/11/2021	DATE -	REVISED -

STATE OF ILLINOIS
DEPARTMENT OF TRANSPORTATION

I-290 EISENHOWER EXPRESSWAY
OVER DES PLAINES RIVER

SCALE: SHEET OF SHEETS STA. TO STA.

F.A.I. RTE.	SECTION	COUNTY	TOTAL SHEETS	SHEET NO.
290	2021-115-B-R	COOK	15	12
ILLINOIS FED. AID PROJECT			CONTRACT NO. 62P48	



 36' X 8' FULL DEPTH CLASS D PATCH

 24' X 33' CONCRETE APPROACH SLAB MILL & OVERLAY
 PROP. PCC REMOVAL (VARIABLE DEPTH)
 AND HMA SURFACE COURSE, MIX "D", IL-9.5, N70, 1 1/2"

MODEL: Default
 FILE NAME: p:\hassan\m00000.dwg
 PROJECT: I:\Projects\2021\2021-115-B-R\2021-115-B-R.dwg
 PROJECT: I:\Projects\2021\2021-115-B-R\2021-115-B-R.dwg

USER NAME = hassan	DESIGNED -	REVISED -
PLOT SCALE = 100,0000' / in.	DRAWN -	REVISED -
PLOT DATE = 8/11/2021	CHECKED -	REVISED -
	DATE -	REVISED -

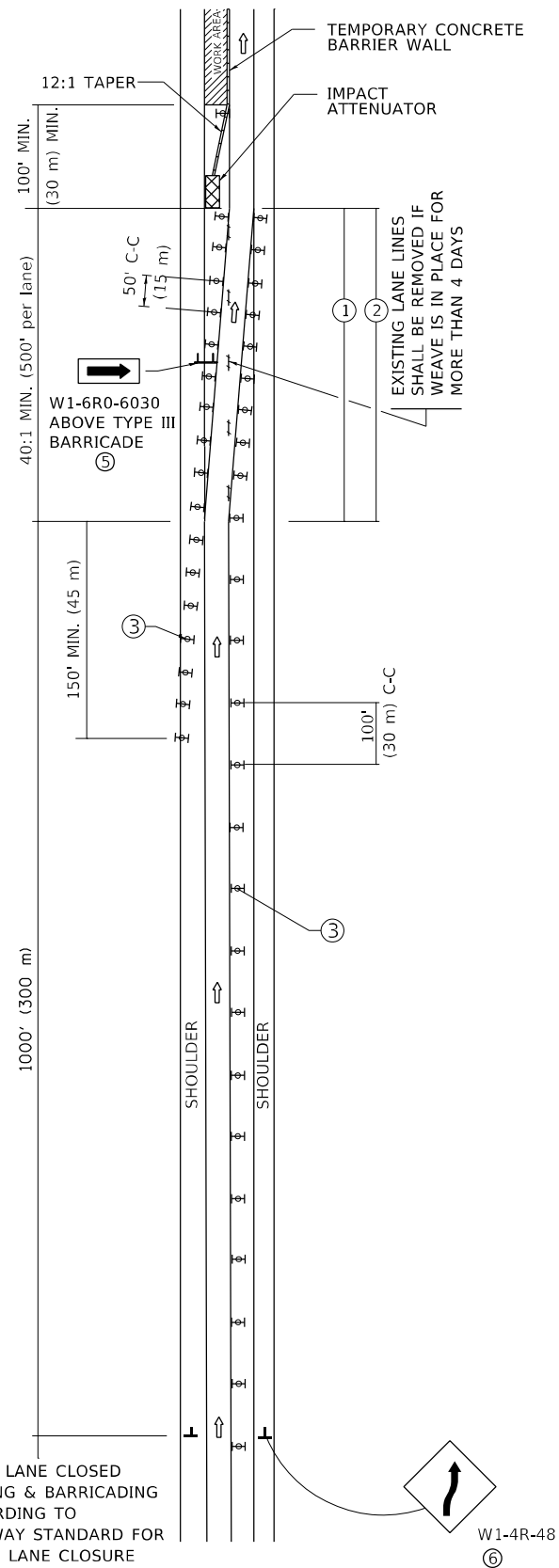
**STATE OF ILLINOIS
 DEPARTMENT OF TRANSPORTATION**

I-290 Eisenhower Expressway
 Over Des Plaines River (PATCHING)

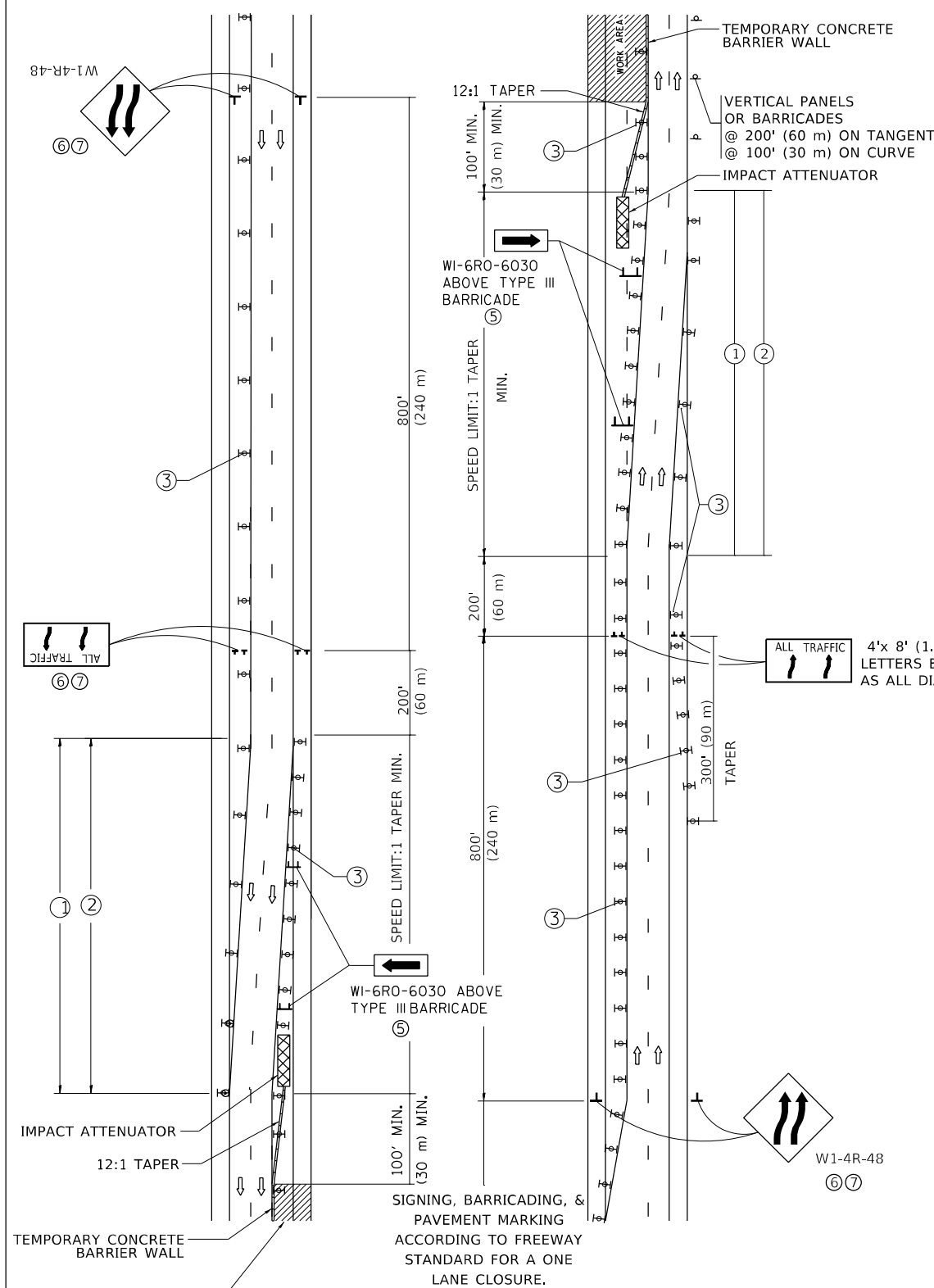
SCALE: SHEET 1 OF 1 SHEETS STA. TO STA.

F.A.J. RTE.	SECTION	COUNTY	TOTAL SHEETS	SHEET NO.
290	2021-115-B-R	COOK	15	13
CONTRACT NO. 62P48				
ILLINOIS FED. AID PROJECT				

SINGLE LANE WEAVE



MULTI-LANE WEAVE



GENERAL NOTES:

- EXISTING CONFLICTING PAVEMENT MARKING LINES SHALL BE REMOVED. PAVEMENT MARKING REMOVAL SHALL NOT BE REQUIRED FOR SINGLE LANE WEAVES UNDER 4 DAYS IN DURATION.
- CONTINUOUS REFLECTIVE TEMPORARY PAVEMENT MARKING TAPE SHALL BE PLACED THROUGHOUT THE TAPER AND FOR 300' (90 m) ALONG SIDE THE WORK AREA WHERE THE CLOSURE TIME IS GREATER THAN FOURTEEN DAYS. THE LEFT EDGE LINE SHALL BE YELLOW AND THE RIGHT EDGE LINE SHALL BE WHITE. FOR MULTI-LANE WEAVES LANE LINES SHALL BE 5 INCH, 10'-30' (3 m-9 m) SKIP DASH, WHITE.
- PLASTIC DRUMS WITH STEADY BURN LIGHTS AT 50' (15 m) C-C SPACING IN TAPERS AND 100' (30 m) C-C SPACING IN TANGENTS.
- ALL SIGNS SHALL BE POST MOUNTED IF THE CLOSURE TIME EXCEEDS FOUR DAYS.
- TYPE III BARRICADES MAY BE OMITTED FOR SINGLE-LANE WEAVES UNDER 24-HOURS IN DURATION. W1-6 SIGNS WILL STILL BE REQUIRED. IF THE WIDTH OF OFFSET IS LESS THAN 6' THEN THE TYPE III BARRICADE WITH ATTACHED ARROW SIGN PANEL CAN BE ELIMINATED IN THE TAPER AREAS.
- WHEN THE LENGTH OF THE SHIFTED SEGMENT (DISTANCE BETWEEN WEAVE POINTS) IS LESS THAN 1500', DOUBLE REVERSE CURVE SIGNS (W24-1) SHOULD BE USED INSTEAD OF THE REVERSE CURVE (W1-4) SIGNS. ARROWS ON THE 4'X8' "ALL TRAFFIC" SIGNS SHALL BE THE SAME SHAPE.
- THE NUMBER OF ARROWS ON THESE SIGNS SHALL MATCH THE NUMBER OF LANES OPEN TO TRAFFIC.

SYMBOLS

- DIRECTION OF TRAFFIC
- WORK AREA
- SIGN ON PORTABLE OR PERMANENT SUPPORT
- TYPE II BARRICADE OR DRUM WITH MONO-DIRECTIONAL STEADY BURNING LIGHT
- TEMPORARY CONCRETE BARRIER WALL
- IMPACT ATTENUATOR
- W1-4R-48
- W24-1-48

ALL DIMENSIONS ARE IN INCHES (MILLIMETERS) UNLESS OTHERWISE SHOWN

MODEL: Default
FILE NAME: p:\m\hammon.dwt\illinois.gov\PIWDOT\Documents\DOT_Offices\Distric: 1\Projects\2012\1\CADData\Design\Dist5\Std.dgn

USER NAME = hassan	DESIGNED - D.W.S.	REVISED - J.A.F. 02-06
	DRAWN -	REVISED - S.P.B. 01-07
PLOT SCALE = 100,0000' / in.	CHECKED -	REVISED - S.P.B. 12-09
PLOT DATE = 8/11/2021	DATE - 02-87	REVISED - M.D. 06-13

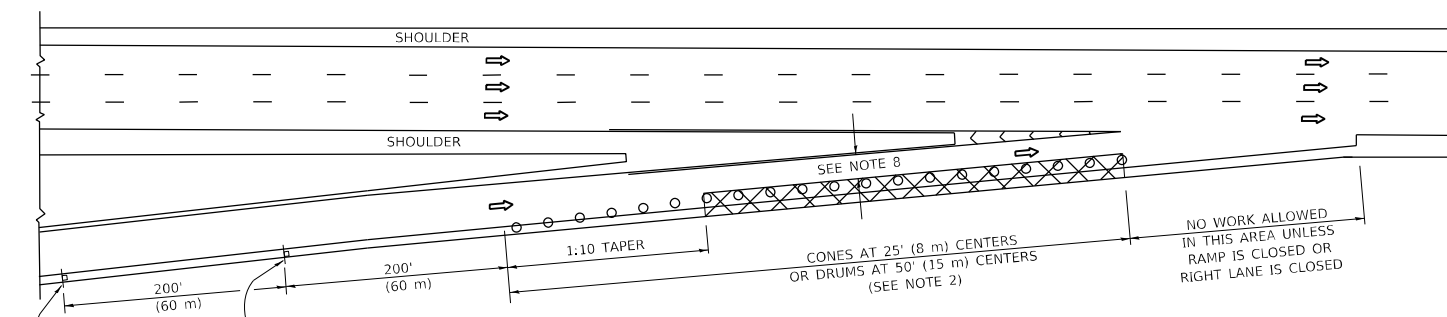
STATE OF ILLINOIS
DEPARTMENT OF TRANSPORTATION

TRAFFIC CONTROL DETAILS FOR
FREEWAY SINGLE & MULTI-LANE WEAVE

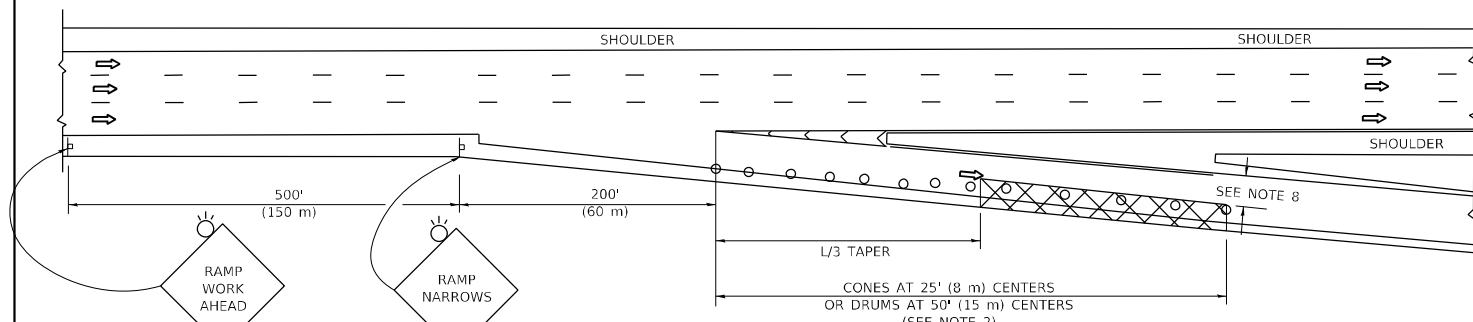
SCALE: NONE SHEET 1 OF 1 SHEETS STA. TO STA.

F.A.I. RTE.	SECTION	COUNTY	TOTAL SHEETS	SHEET NO.
290	2021-115-B-R	COOK	15	14
TC-09		CONTRACT NO. 62P48		
ILLINOIS FED. AID PROJECT				

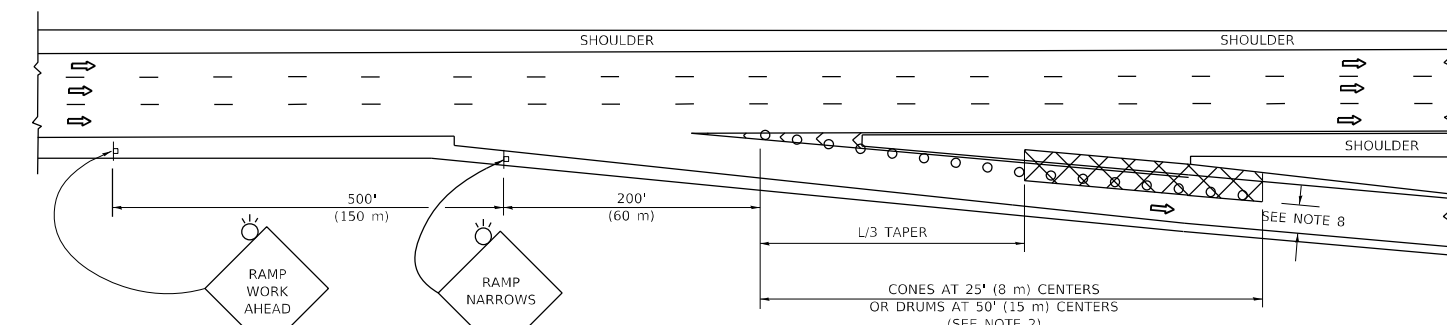
PARTIAL RAMP CLOSURE DETAILS



TYPICAL ENTRANCE RAMP



TYPICAL EXIT RAMP



TYPICAL EXIT RAMP

SYMBOLS

- ACTIVE WORK AREA
- SIGN ON PORTABLE OR PERMANENT SUPPORT
- FLAGGER WITH CONTROL SIGN
- TYPE II BARRICADE OR DRUM
- CONE, DRUM OR BARRICADE
- IMPACT ATTENUATOR OF TYPE AND TEST LEVEL SPECIFIED

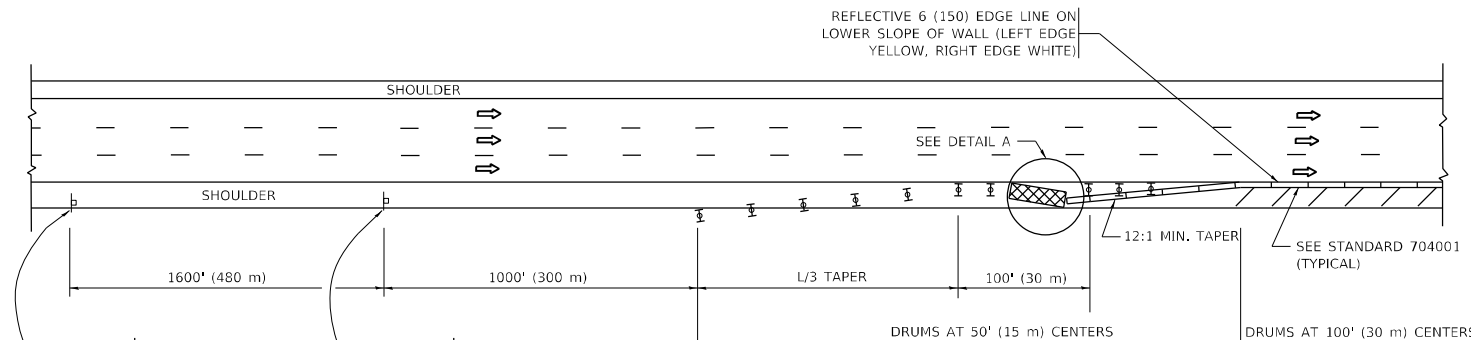
GENERAL NOTES:

1. THE "L" DISTANCE EQUALS:

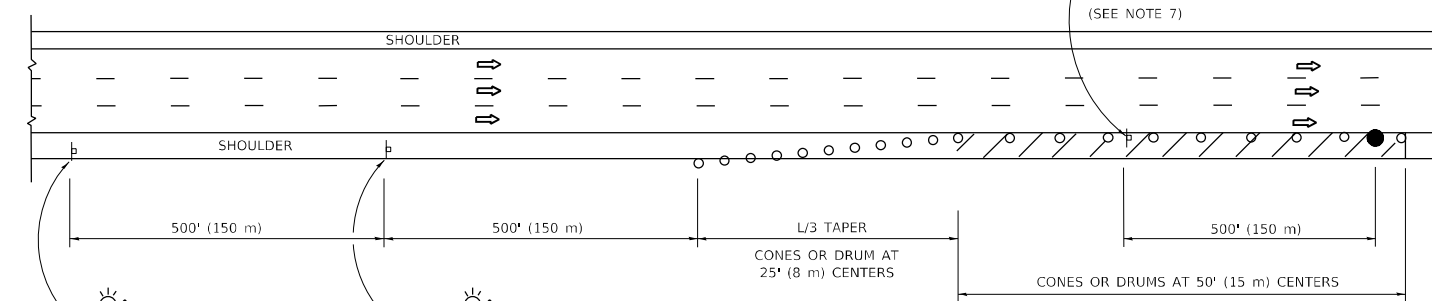
$L = \frac{S^2}{300}$	$L = \frac{S^2}{1.47}$
$L = \frac{S^2}{300}$	$L = \frac{S^2}{1.47}$

W = WIDTH OF OFFSET IN FEET (METERS)
 S = NORMAL POSTED SPEED MPH (KM/H)
2. TYPE II BARRICADES OR DRUMS ARE REQUIRED FOR ALL NIGHTTIME CLOSURES. TYPE II BARRICADES OR DRUMS WITH MONODIRECTIONAL STEADY BURN LIGHTS ARE REQUIRED FOR DELINEATING OBSTACLES, EXCAVATIONS, OR HAZARDS EXCEEDING 100 FT (30m) IN LENGTH AT NIGHT.
3. ALL SIGNS SHALL BE POST MOUNTED IF THE CLOSURE TIME EXCEEDS FOUR DAYS.
4. FLASHING LIGHTS SHALL BE USED DURING THE HOURS OF DARKNESS AND SHALL BE INSTALLED ABOVE THE FIRST TWO SETS OF SIGNS.

SHOULDER CLOSURE DETAILS



PERMANENT SHOULDER CLOSURE



TEMPORARY SHOULDER CLOSURE

- THIS DETAIL IS USED WHERE:
1. VEHICLES, EQUIPMENT, WORKERS OR THEIR ACTIVITIES ENCR OACH IN AN AREA CLOSER THAN 15' (4.5 m) TO THE EDGE OF PAVEMENT FOR A PERIOD IN EXCESS OF 15 MINUTES.



DETAIL "A" IMPACT ATTENUATOR, TEMPORARY (SEE NOTE 5)

5. THE IMPACT ATTENUATOR, TEMPORARY IS NOT REQUIRED WHEN THE TEMPORARY CONCRETE BARRIER WALL IS PROTECTED BY OR IS TIED INTO THE EXISTING GUARDRAIL. IF OFFSET IS LESS THAN 5 FEET USE NARROW USE TYPE DEVICE TO MEET NCHRP350/MASH.
6. AUTHORIZATION FROM THE DISTRICT'S BUREAU OF TRAFFIC IS REQUIRED FOR ALL FREEWAY CLOSURES.
7. THE FLAGGER AND FLAGGER SIGN ARE REQUIRED AT THE ABOVE WORK SITES WHEN:
 - a. FOUR OR MORE WORK VEHICLES ENTER THE TRAFFIC LANES IN A ONE HOUR PERIOD.
 - b. THE WORK AVTIVITY REQUIRES FREQUENT ENCR OACHMENT INTO THE LANE OPEN TO TRAFFIC.
 THE FLAGGER SHALL BE STATIONED APPROXIMATELY 100' (30 m) TO 200' (60 m) IN ADVANCE OF THE WORKERS.
8. 12' MIN. WIDTH TANGENT SECTION
16' MIN. WIDTH CURVE SECTION.
9. TEMPORARY SHOULDER AND NON-SYSTEM INTERCHANGE PARTIAL RAMP CLOSURES ARE ALLOWED WEEKDAYS BETWEEN 9:00 A.M. AND 3:00 P.M. AND BETWEEN 7:00 P.M. AND 5:00 A.M. OR AS APPROVED BY THE EXPRESSWAY TRAFFIC OPERATIONS ENGINEER. PERMANENT SHOULDER AND PARTIAL RAMP CLOSURES WILL ONLY BE PERMITTED IF CALLED FOR IN THE PLANS OR AS APPROVED BY THE EXPRESSWAY OPERATIONS ENGINEER.

ALL DIMENSIONS ARE IN INCHES (MILLIMETERS) UNLESS OTHERWISE SHOWN.

MODEL: Default
FILE NAME: p:\planningroom\dot\illinois\dot\Documents\DOT_Office\Drawings\1\Projects\120121\CD\Drawings\Design\DCS\Std.dgn

USER NAME = hassan	DESIGNED -	REVISED - S.P.B. 12-09
	DRAWN - D.W.S.	REVISED - M.D. 06-13
PLOT SCALE = 100,0000' / in.	CHECKED -	REVISED - M.D. 01-18
PLOT DATE = 8/11/2021	DATE - 11-96	REVISED - M.D. 10-20

**STATE OF ILLINOIS
DEPARTMENT OF TRANSPORTATION**

**TRAFFIC CONTROL DETAILS FOR FREEWAY
SHOULDER CLOSURES AND PARTIAL RAMP CLOSURES**

SCALE: NONE SHEET 1 OF 1 SHEETS STA. TO STA.

F.A.1 RTE.	SECTION	COUNTY	TOTAL SHEETS	SHEET NO.
290	2021-115-B-R	COOK	15	15
TC-17		CONTRACT NO. 62P48		
ILLINOIS FED. AID PROJECT				