

INDEX OF SHEETS

- 1. COVER
- 2.-3. GENERAL NOTES AND LEGEND
- 4.-5. SUMMARY OF QUANTITIES
- 6.-12. TYPICAL SECTIONS
- 13.-15. SCHEDULE OF QUANTITIES
- 16. ALIGNMENT, BENCHMARKS, AND TIES
- 17.-21. REMOVAL PLANS
- 22.-24. UTILITY REMOVAL PLANS
- 25.-30. PLAN AND PROFILE
- 31.-33. JOINTING PLANS
- 34.-37. PAVEMENT MARKING AND SIGNING PLANS
- 38.-42. EROSION CONTROL AND LANDSCAPING PLANS
- 43. TREE REPLACEMENT PLAN
- 44.-47. DRAINAGE PLANS
- 48.-54. STORM WATER LIFT STATION PLANS
- 55.-70. ELECTRICAL PLANS
- 71.-75. RIGHT-OF-WAY PLANS
- 76.-77. WATER MAIN RELOCATION PLANS
- 78.-80. SANITARY SEWER RELOCATION PLANS
- 81.-132. BRIDGE PLANS
- 133.-144. RETAINING WALL PLANS
- 145.-148. STAGE CONSTRUCTION/TRAFFIC CONTROL PLANS
- 149.-159. LIGHTING PLANS
- 160.-162. TRAFFIC SIGNAL PLANS
- 163.-169. CCTV CAMERA SYSTEM PLANS
- 170.-172. INTERSECTION DETAILS
- 173.-182. DETAILS
- 183.-206. CROSS SECTIONS-EAST MAIN STREET
- 207.-209. CROSS SECTIONS-CHAMBERS STREET
- 210.-214. CROSS SECTIONS-ALLENS AVENUE
- 215.-217. CROSS SECTIONS-PEARL STREET
- 218.-221. IDOT DISTRICT 4 STANDARDS

**STATE OF ILLINOIS
DEPARTMENT OF TRANSPORTATION
DIVISION OF HIGHWAYS**

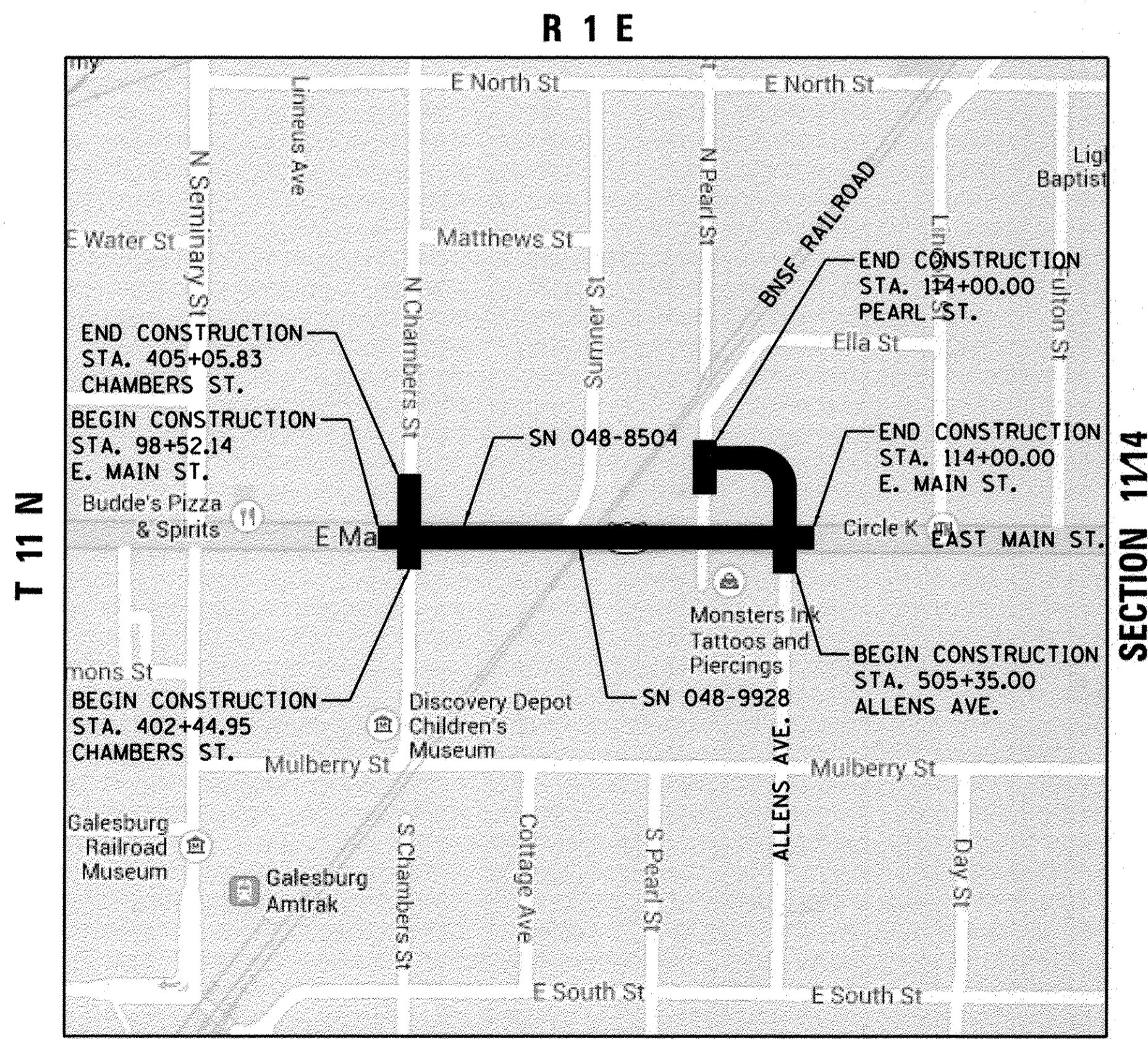
PROPOSED ROADWAY PLANS EAST MAIN STREET

**REVIEW AND
INSPECTION SET
NOT FOR
CONSTRUCTION**

**ROUTE 6800 (U.S. 150)
SECTION 05-00500-19-GS
STATE SECTION 50VB
CITY OF GALESBURG
KNOX COUNTY
JOB C-94-116-06**

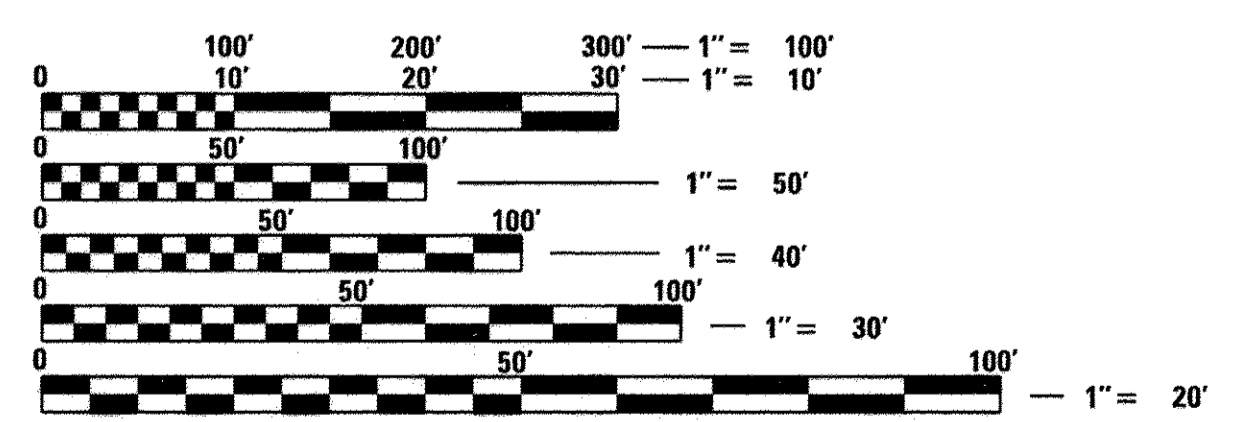
**BRIDGE, AND RETAINING
WALL STRUCTURAL SEALS
ARE LOCATED ON
SHEETS 80 AND 133**

F.A.U. RTE.	SECTION	COUNTY	TOTAL SHEETS	SHEET NO.
6800	05-00500-19-GS	KNOX	221	1
				ILLINOIS CONTRACT NO. 89417



**GROSS LENGTH = 1547.86 FT. = 0.29 MILE
NET LENGTH = 1547.86 FT. = 0.29 MILE
DESIGN POLICY: BDE MANUAL**

ROUTE	STREET	ADT (2036)	SU	MU	FUNCTIONAL CLASSIFICATION	DESIGN SPEED
FAU 6800	U.S. 150 EAST MAIN STREET	11,550	0	1.0%	MINOR ARTERIAL	35 MPH
FAU 6803	N. CHAMBERS STREET	3,000	0	1.0%	COLLECTOR (URBAN)	
-	ALLENS AVENUE	1,520	0	1.0%	LOCAL	



FULL SIZE PLANS HAVE BEEN PREPARED USING STANDARD ENGINEERING SCALES. REDUCED SIZED PLANS WILL NOT CONFORM TO STANDARD SCALES. IN MAKING MEASUREMENTS ON REDUCED PLANS, THE ABOVE SCALES MAY BE USED.

**PROJECT ENGINEER: MICHAEL BREITBACH, P.E.
309.691.0902**

**CONTRACT #89417
CAT NO. 033266-01**

MICHAEL P. BREITBACH
062-051371
LICENSED PROFESSIONAL ENGINEER
STATE OF ILLINOIS

DATE SIGNED : 9/9/2015
LIC. EXP. DATE : 11/30/2015
HANSON

KURT BIALOBRESKI
062-0586674
LICENSED PROFESSIONAL ENGINEER
STATE OF ILLINOIS

DATE SIGNED : 9/8/2015
LIC. EXP. DATE : 11/30/2015
HANSON

LEE J. BLOOM
062057102
LICENSED PROFESSIONAL ENGINEER
STATE OF ILLINOIS

DATE SIGNED : 9/8/15
LIC. EXP. DATE : 11/30/2015
HANSON

EHAB ELQAQ
062-058301
LICENSED PROFESSIONAL ENGINEER
STATE OF ILLINOIS

DATE SIGNED : 9/4/15
LIC. EXP. DATE : 11/30/2015
TERRA

**J.U.L.I.E.
JOINT UTILITY LOCATION INFORMATION FOR EXCAVATION
1-800-892-0123
OR 811**

**PRINTED BY THE AUTHORITY
OF THE STATE OF ILLINOIS**

APPROVED 9/14 20 15
Wayne E. ...
CITY ENGINEER

PASSED Sept 9 20 15
...
DISTRICT FOUR ENGINEER OF
LOCAL ROADS & STREETS

Releasing For Bid Based on Limited Review Sept 10 20 15
Harold A. ...
DEPUTY DIRECTOR OF HIGHWAYS,
REGION THREE ENGINEER

STATE OF ILLINOIS
DEPARTMENT OF TRANSPORTATION

DATE: 9/9/2015

© Copyright Hanson Professional Services Inc.
HANSON
Hanson Professional Services Inc.
7625 N. University St., Suite 200
Peoria, Illinois 61614
Offices Nationwide

GENERAL NOTES

1. THE CONSTRUCTION SHALL BE GOVERNED BY THE "STANDARD SPECIFICATIONS FOR ROAD AND BRIDGE CONSTRUCTION IN ILLINOIS" ADOPTED JANUARY 1, 2012, AND "SUPPLEMENTAL SPECIFICATIONS AND RECURRING SPECIAL PROVISIONS", 2015.
2. WHERE SECTION, SUB-SECTION, SUBDIVISION, OR PROPERTY MONUMENTS ARE ENCOUNTERED, THE ENGINEER SHALL BE NOTIFIED BEFORE SUCH MONUMENTS ARE REMOVED. THE CONTRACTOR SHALL PROTECT AND PRESERVE ALL PROPERTY MARKERS UNTIL AN OWNER OR AUTHORIZED SURVEYOR HAS WITNESSED OR REFERENCED THEIR LOCATION.
3. THE CONTRACTOR SHALL FIELD VERIFY ALL DIMENSIONS AND EXISTING CONDITIONS PRIOR TO CONSTRUCTION AND NOTIFY THE ENGINEER OF ANY DISCREPANCY IMMEDIATELY.
4. THE CONTRACTOR SHALL BE RESPONSIBLE FOR REPAIRS TO ANY UTILITY LINES AND EXISTING IMPROVEMENTS TO REMAIN THAT ARE DAMAGED AS A RESULT OF THE WORK.
5. ALL SECTIONS, DETAILS AND NOTES SHOWN ON THE DRAWINGS ARE INTENDED TO BE TYPICAL AND SHALL APPLY TO SIMILAR SITUATIONS ELSEWHERE, UNLESS OTHERWISE SHOWN.
6. ADJUSTMENT OF PROPOSED GRADES TO MATCH EXISTING ENTRANCES OR OTHER FIELD CONDITIONS MAY BE REQUIRED. THE ENGINEER SHALL BE NOTIFIED PRIOR TO CONSTRUCTION OF GRADE MODIFICATIONS.
7. ALL THE ELEVATIONS, STATIONS, AND OFFSETS SHOWN ON THE PLANS SHALL BE FIELD VERIFIED BY THE CONTRACTOR PRIOR TO CONSTRUCTION.
8. ALL PAVEMENT, SIDEWALK, DRIVEWAY, AND CURB REMOVALS SHALL BE FULL DEPTH SAW CUT AT THE LIMITS TO BE REMOVED. SAW CUTTING TO BE INCLUDED IN COST OF EACH REMOVAL ITEM.
9. ACCESS SHALL BE MAINTAINED TO ALL PROPERTIES DURING ALL STAGES OF CONSTRUCTION, UNLESS SHOWN OTHERWISE ON PLANS.
10. THE WORK AREA SHALL BE POSITIVELY DRAINED DURING CONSTRUCTION. FINAL GRADES SHALL BE PROTECTED AGAINST DAMAGE FROM EROSION, SEDIMENTATION, AND TRAFFIC.
11. APPLICATION RATES:
TEMPORARY EROSION CONTROL SEEDING: 100 LB/ACRE
NUTRIENTS: 60 LB/ACRE FOR SODDING
12. THE CONTRACTOR SHALL USE ANY ON SITE MATERIAL DEEMED SUITABLE BY THE ENGINEER BEFORE ANY NEW FILL IS HAULED TO THE SITE.
13. CONTRACTOR SHALL BE RESPONSIBLE FOR LOCATING ALL EXISTING UNDERGROUND UTILITIES PRIOR TO EXCAVATION.
14. ALL TRENCH BACKFILL SHALL BE COMPACTED ACCORDING TO SECTION 542.04 AND 550.07 OF THE STANDARD SPECIFICATIONS.
15. ON-SITE BURNING OF TREES AND DEBRIS WILL NOT BE ALLOWED. ALL CONSTRUCTION DEBRIS, TREES AND LANDSCAPING WASTE SHALL BE REMOVED AND DISPOSED OF IN ACCORDANCE WITH CITY ORDINANCE AND REGULATIONS.
16. TEMPORARY EASEMENTS FOR CONSTRUCTION ARE AVAILABLE AT LOCATIONS NOTED IN THE PLANS. THE EASEMENTS CAN BE USED FOR MOVEMENT OF CONSTRUCTION EQUIPMENT IF NECESSARY. THE CONTRACTOR SHALL TAKE PRECAUTIONS TO PREVENT DAMAGE TO PERMANENT FEATURES OF THE LAND. THE CONTRACTOR SHALL BE RESPONSIBLE FOR DAMAGE TO PERMANENT FEATURES. AT THE COMPLETION OF THE CONSTRUCTION ACTIVITIES, THE LAND WITHIN THE TEMPORARY EASEMENT AREA SHALL BE RESTORED TO THE EXISTING CONDITION OF THE PROPERTY. NO CONSTRUCTION EQUIPMENT OR MATERIALS SHALL BE STORED IN TEMPORARY EASEMENT OR ON BNSF PERMANENT EASEMENT.
17. FOR STABILIZATION, ALL TYPE II BARRICADES SHALL REQUIRE A MINIMUM OF FOUR SANDBAGS PER BARRICADE.
18. WATER MAIN QUALITY STORM SEWER IS TO BE USED AT ALL LOCATIONS WHERE LATERAL SEPARATION BETWEEN THE SEWER AND WATER MAIN IS LESS THAN 10 FEET AND THE WATER MAIN INVERT IS LESS THAN 1.5 FEET ABOVE THE STORM SEWER CROWN.
19. SEE SPECIAL PROVISIONS FOR LIST OF COMMITMENTS.

IDOT DISTRICT 4 GENERAL NOTES

107.00 COMMITMENTS

COMMITMENTS ARE NOT TO BE ALTERED WITHOUT THE WRITTEN APPROVAL OF ALL PARTIES TO WHICH THE COMMITMENT WAS MADE.

107.09 PROPERTY OWNER ACCESS REQUIREMENT

ACCESS MUST BE MAINTAINED TO ALL EXISTING PROPERTIES DURING CONSTRUCTION PER ARTICLE 107.09 UNLESS ARRANGEMENTS ARE MADE IN WRITING BY THE CONTRACTOR WITH THE PROPERTY OWNERS WITH A COPY TO THE ENGINEER FOR SHORT-TERM CLOSURES.

201.04 TREE REMOVAL

THE DISTRICT FOUR TREE COMMITTEE SHOULD BE CONTACTED AND PRIOR APPROVAL OBTAINED FOR ANY TREE REMOVAL BEYOND THE LIMITS/LOCATIONS INCLUDED IN THE PLANS.

204.00 ENVIRONMENTAL REVIEWS

PRIOR TO THE USE OF ANY PROPOSED BORROW AREAS, USE AREAS (TEMPORARY ACCESS ROADS, DETOURS, RUN-AROUNDS, ETC.) AND/OR WASTE AREAS, THE CONTRACTOR SHALL FILE THE REQUIRED ENVIRONMENTAL RESOURCE REQUEST SURVEYS ACCORDING TO SECTION 107.22 OF THE STANDARD SPECIFICATIONS. THESE SURVEYS ARE REQUIRED IN ORDER FOR THE DEPARTMENT TO CONDUCT CULTURAL AND BIOLOGICAL RESOURCE SURVEYS FOR THE PROPOSED SITE.

THE REQUIRED ENVIRONMENTAL RESOURCE DOCUMENTATION SHALL INCLUDE THE FOLLOWING:

- BDE FORM 2289 (CULTURAL AND NATURAL RESOURCES REVIEW OF BORROW AREAS)
- BDE FORM 2290 (WASTE/USE AREA REVIEW)
- A LOCATION MAP SHOWING THE SIZE LIMITS AND LOCATION OF THE USE AREA
- COLOR PHOTOGRAPHS DEPICTING THE USE AREA
- BORROW AREA ENTRY AGREEMENT FORM - D4 P10101

PRIOR TO ANY WASTE MATERIALS BEING REMOVED FROM THE CONSTRUCTION SITE THE REQUIRED ENVIRONMENTAL RESOURCE SURVEYS SHALL BE OBTAINED AND FILED BY THE CONTRACTOR. EXCESS WASTE PRODUCTS REMOVED FROM THE CONSTRUCTION SITE SHALL BE DISPOSED OF AS REQUIRED IN SECTION 202.03 OF THE STANDARD SPECIFICATIONS.

ANY PROTRUDING METAL BARS SHALL BE REMOVED PRIOR TO THE DISPOSAL OF BROKEN CONCRETE AT APPROVED DISPOSAL SITES.

PLEASE NOTE THAT A MINIMUM OF FOUR WEEKS SHALL BE ALLOWED FOR THE DISTRICT TO OBTAIN THE REQUIRED WASTE SITE ENVIRONMENTAL CLEARANCES AND SIX WEEKS FOR THE REQUIRED BORROW SITE ENVIRONMENTAL CLEARANCES.

205.01 SEEDING - SIDESLOPE RIPPING

ALL SLOPES STEEPER THAN 3 TO 1 AND OVER 15 FT. (4.5 M) IN HEIGHT SHALL BE RIPPED. THIS SHALL CONSIST OF RIPPING BETWEEN 18 INCHES TO 24 INCHES (450 MM TO 600 MM) DEEP NORMAL TO THE SLOPE. THE INTERVAL OF RIPPING ALONG THE SLOPE SHALL BE 12 FT. (3.6 M). THIS WORK SHALL BE DONE AFTER THE SEED BED HAS BEEN PREPARED BUT BEFORE ANY FERTILIZER OR SEED HAS BEEN APPLIED. THE FERTILIZER AND SEED SHALL BE APPLIED WITHIN A 24-HOUR PERIOD AFTER THE RIPPING HAS BEEN DONE. THIS WORK WILL NOT BE PAID FOR SEPARATELY BUT WILL BE INCLUDED IN THE COST OF THE VARIOUS ITEMS OF SEEDING INVOLVED.

406.03 PAVEMENT STATION NUMBERS & PLACEMENT

THE CONTRACTOR SHALL PROVIDE LABOR AND MATERIALS REQUIRED TO IMPRINT PAVEMENT STATION NUMBERS IN THE FINISHED SURFACE OF THE PAVEMENT AND/OR OVERLAY. THE NUMBERS SHALL BE APPROXIMATELY 3/4 INCH (20 MM) WIDE, 5 INCHES (125 MM) HIGH AND 5/8 INCH (15 MM) DEEP.

THE PAVEMENT STATION NUMBERS SHALL BE INSTALLED AS SPECIFIED HEREIN:
INTERVAL - 200 FEET (ENGLISH STATIONING) OR 100 METERS (METRIC STATIONING)
BOTTOM OF NUMBERS - 6 INCHES (150 MM) FROM THE INSIDE EDGE OF THE PAVEMENT MARKING LOCATION:

- 2, 3, & 5 LANE PAVEMENTS - RIGHT EDGE OF PAVEMENT IN DIRECTION OF INCREASING STATIONS
- MULTI-LANE DIVIDED ROADWAYS - OUTSIDE EDGE OF PAVEMENT IN BOTH DIRECTIONS
- RAMPS - ALONG BASELINE EDGE OF PAVEMENT

POSITION - STATIONS SHALL BE PLACED SO THEY CAN BE READ FROM THE ADJACENT SHOULDER
FORMAT - ENGLISH (METRIC) PAVEMENT STATIONS SHALL USE THIS FORMAT $\frac{1}{2}$ $\frac{1}{2}$ XXX (XX+X00) $\frac{1}{2}$ $\frac{1}{2}$,
WHERE X REPRESENTS THE PAVEMENT STATION

THIS WORK WILL NOT BE PAID FOR SEPARATELY, BUT WILL BE INCLUDED IN THE COST OF THE ASSOCIATED PAVEMENT AND/OR OVERLAY PAY ITEMS.

406.19 PAVING SURFACE COURSE

CONTINUOUS PAVING OPERATIONS ON THE MAIN ROADWAY SHALL BE MAINTAINED AT ALL TIMES DURING THE CONSTRUCTION OF THE HOT-MIX ASPHALT SURFACE. NO INTERRUPTIONS FOR SIDE ROADS, ENTRANCES, TURN LANES, ETC. WILL BE ALLOWED.

542.00 ORDERING LENGTH CONFIRMATION - DRAINAGE ITEMS

THE CONTRACTOR SHALL CONSULT WITH THE ENGINEER IN REGARD TO THE EXACT LENGTH OF THE BOX/PIPE CULVERTS, STORM SEWERS, AND/OR PIPE DRAINS REQUIRED PRIOR TO ORDERING THESE ITEMS.

602.00 EXISTING DRAINAGE PIPES CONNECTED TO NEW STRUCTURES

IN ACCORDANCE WITH SECTION 602 OF THE STANDARD SPECIFICATIONS, THE CONNECTING OF EXISTING DRAIN TILES, PIPE CULVERTS, OR STORM SEWERS TO THE PROPOSED DRAINAGE SYSTEM STRUCTURES WILL NOT BE PAID FOR SEPARATELY BUT SHALL BE CONSIDERED AS INCLUDED IN THE PAY ITEMS PROVIDED.

670.00A ENGINEERS FIELD OFFICE

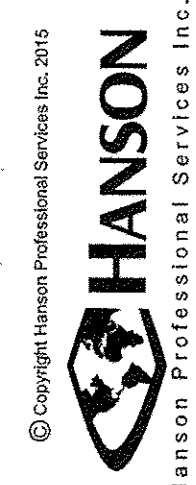
ADD THE FOLLOWING SENTENCE TO THE END OF PARAGRAPH 670.02 (D) AND 670.04 (E):

ALL OF THE TELEPHONE LINES PROVIDED SHALL HAVE UNPUBLISHED NUMBERS.

720.00 SIGNING

SIGN LOCATIONS MAY VARY FROM THE STATIONS SHOWN ON THE PLANS IN ACCORDANCE WITH DIRECTIONS FROM THE ENGINEER AT THE TIME OF CONSTRUCTION. SIGN LOCATIONS MAY BE ADJUSTED IN THE FIELD TO AVOID ANY FOUND UTILITIES.

ALL WOOD POST LOCATIONS SHALL BE VERIFIED WITH THE BUREAU OF OPERATIONS, TRAFFIC SECTION, BEFORE INSTALLATION.



LAYOUT	2/11/14
DRAWN	5/27/15
REVIEWED	5/28/15
MPB	

FILE NAME =	USER NAME = ender00846	DESIGNED - RLA	REVISED -	STATE OF ILLINOIS DEPARTMENT OF TRANSPORTATION	EAST MAIN STREET GENERAL NOTES AND LEGEND	F.A.U. RTE.	SECTION	COUNTY	TOTAL SHEETS	SHEET NO.
ci:\pwise_work\do_not_delete\273754\049\0105-shit-gennote001.dgn	DRAWN - MGD	CHECKED - MPB	REVISED -			6800	05-00500-19-GS	KNOX	221	2
plot scale = 5.0000' / in.	DATE - 9/9/2015					50VB		CONTRACT NO.89417		
plot date = 9/8/2015						FED. ROAD DIST. NO.	ILLINOIS FED. AID PROJECT			
SCALE: SHEET NO. OF SHEETS STA. TO STA.										

IDOT HIGHWAY STANDARDS

000001-06	STANDARD SYMBOLS, ABBREVIATIONS AND PATTERNS
001001-02	AREAS OF REINFORCEMENT BARS
280001-07	TEMPORARY EROSION CONTROL SYSTEMS
420001-08	PAVEMENT JOINTS
420101-05	24' (7.2 m) JOINTED PCC PAVEMENT
420111-03	PCC PAVEMENT ROUNDOUTS
424001-08	CURB RAMPS FOR SIDEWALKS, PERPENDICULAR
424006-02	CURB RAMPS FOR SIDEWALKS, DIAGONAL
424011-02	CURB RAMPS FOR SIDEWALKS, CORNER PARALLEL
424021-03	DEPRESSED CORNER FOR SIDEWALK
424026-01	PEDESTRIAN CROSSINGS, ENTRANCE / ALLEY
442201-03	CLASS C AND D PATCHES
515001-03	NAME PLATE FOR BRIDGES
601001-04	SUB-SURFACE DRAINS
602301-04	INLET - TYPE A
602306-03	INLET - TYPE B
602401-03	MANHOLE TYPE A
602601-03	PRECAST REINFORCED CONCRETE FLAT SLAB TOP
602701-02	MANHOLE STEPS
604001-04	FRAME AND LIDS TYPE 1
604006-05	FRAME AND GRATE TYPE 3
604036-03	FRAME AND GRATE TYPE 8
604051-04	FRAME AND GRATE TYPE 11V
606001-06	CONCRETE CURB TYPE B AND COMBINATION CONCRETE CURB AND GUTTER
701001-02	OFF-ROAD OPERATIONS, 2L 2W, MORE THAN 15 FT. (4.5 M) AWAY
701006-05	OFF-ROAD OPERATIONS, 2L 2W, 15 FT. (4.5 M) TO 24 IN (600 MM) FROM PAVEMENT EDGE
701101-04	OFF-ROAD OPERATIONS, MULTILANE, 15' (4.5M) TO 24" (600mm) FROM EDGE OF PAVEMENT
701106-02	OFF-ROAD OPERATIONS, MULTILANE, MORE THAN 15' (4.5M) AWAY
701301-04	LANE CLOSURE, 2L, 2W, SHORT TIME OPERATIONS
701311-03	LANE CLOSURE, 2L, 2W MOVING OPERATIONS - DAY ONLY
701427-03	LANE CLOSURE, MULTILANE, INTERMITTENT OR MOVING OPERATION, FOR SPEEDS <= 40 MPH
701501-06	URBAN LANE CLOSURE, 2L, 2W, UNDIVIDED
701602-07	URBAN LANE CLOSURE, MULTILANE, 2W WITH BIDIRECTIONAL LEFT TURN LANE
701701-09	URBAN LANE CLOSURE, MULTILANE INTERSECTION
701801-05	SIDEWALK, CORNER OR CROSSWALK CLOSURE
701901-04	TRAFFIC CONTROL DEVICES
720001-01	SIGN PANEL MOUNTING DETAILS
729001-01	APPLICATIONS OF TYPES A & B METAL POSTS (FOR SIGNS & MARKERS)
780001-05	TYPICAL PAVEMENT MARKINGS
814001-03	HANDHOLES
814006-02	DOUBLE HANDHOLES
821101-01	LUMINAIRE WIRING DIAGRAMS
836001-02	LIGHT POLE FOUNDATION
857001-01	STANDARD PHASE DIAGRAMS
862001-01	UNINTERRUPTABLE POWER SUPPLY (UPS)
873001-02	TRAFFIC SIGNAL GROUNDING AND BONDING
876001-03	PEDESTRIAN PUSH BUTTON POST
877011-05	STEEL COMB. MAST ARM ASSEMBLY AND POLE 16' THROUGH 55'
878001-10	CONCRETE FOUNDATION DETAILS
880006-01	TRAFFIC SIGNAL MOUNTING DETAILS
886001-01	DETECTOR LOOP INSTALLATIONS
886006-01	TYPICAL LAYOUTS FOR DETECTION LOOPS
BLR22-7	TYPICAL APPLICATIONS OF TRAFFIC CONTROL DEVICES FOR CONSTRUCTION ON RURAL LOCAL HIGHWAYS

IDOT DISTRICT 4 HIGHWAY STANDARDS

424106-D4	COMBINATION CONCRETE CURB-SIDEWALK 4" (100 mm), (SPECIAL)
660101-D4	MODULAR RETAINING WALL SYSTEM DETAIL
780001-D4	TYPICAL PAVEMENT MARKINGS

UTILITIES

AMEREN ILLINOIS 1824 KNOX HIGHWAY 9 GALESBURG, IL 61401 JULIE CONE (309) 345-5169	GALESBURG SANITARY DISTRICT 2700 W. MAIN STREET GALESBURG, IL 61401 MARSHALL SCHRADER (309) 342-0131
COMCAST COMMUNICATIONS 533 N. HENDERSON STREET GALESBURG, IL 61401 (309) 342-2161	GALESBURG WATER DIVISION 920 W. MAIN STREET GALESBURG, IL 61401 RICHARD NELSON (309) 345-3649
CENTURY LINK 200 ENTERPRISE DRIVE PEKIN, IL 61401 DARRELL SCHMIDT (309) 477-0255	

LEGEND

	EXISTING MANHOLE		GAS
	EXISTING INLET		TELEPHONE
	CONTROL POINT		CABLE TELEVISION
	EXISTING TELEPHONE PEDESTAL		FIBER OPTIC
	EXISTING GUY		EXISTING WATER
	EXISTING POWER POLE		PROPOSED WATER
	EXISTING CULVERT		EXISTING ELECTRIC
	EXISTING FIRE HYDRANT		PROPOSED ELECTRIC
	EXISTING SIGN		PIPE CULVERT
	EXISTING STUMP		PROPOSED STORM SEWER
	EXISTING SANITARY SEWER CLEANOUT		PROPOSED PIPE UNDERDRAIN
	PROPOSED INLET		EXISTING STORM SEWER
	PROPOSED MANHOLE		EXISTING SANITARY SEWER
	PROPOSED FIRE HYDRANT		PROPOSED SANITARY SEWER
	PROPOSED TREE		OVERHEAD ELECTRIC
	DITCH FLOW ARROW		FENCE
			PROPOSED R.O.W.
			EXISTING R.O.W.
			PERMANENT EASEMENT
			TEMPORARY EASEMENT

UTILITY NOTE

THE LOCATIONS OF THOSE BURIED AND ABOVEGROUND UTILITIES SHOWN ARE APPROXIMATE. ARE SHOWN FOR CONTRACTOR INFORMATIONAL USE ONLY, AND ARE NOT TO BE REFERENCED FOR CONSTRUCTION PURPOSES. THE IMPLIED PRESENCE OR ABSENCE OF UTILITIES IS NOT TO BE CONSTRUED BY THE OWNER, ENGINEER, CONTRACTOR, OR SUBCONTRACTORS TO BE AN ACCURATE AND COMPLETE REPRESENTATION OF UTILITIES THAT MAY OR MAY NOT EXIST ON THE CONSTRUCTION SITE. BURIED AND ABOVEGROUND UTILITY LOCATION, IDENTIFICATION, AND MARKING ARE THE SOLE RESPONSIBILITY OF THE CONTRACTOR. REROUTING, DISCONNECTION, PROTECTION, ETC. OF ANY UTILITIES MUST BE COORDINATED AMONG THE CONTRACTOR, UTILITY COMPANY, AND OWNER. SITE SAFETY, INCLUDING THE AVOIDANCE OF HAZARDS, ASSOCIATED WITH BURIED AND ABOVEGROUND UTILITIES REMAIN THE SOLE RESPONSIBILITY OF THE CONTRACTOR.

LAYOUT	2/11/14
DRAWN	5/27/15
REVIEWED	5/28/15

FILE NAME =	USER NAME = andr00846
ca:\pwise_work\do_not_delete\d0273754\4499\0105-sht-gennote002.dgn	DRAWN - MGD
PLOT SCALE = 5.0000 ' / in.	CHECKED - MPB
PLOT DATE = 9/8/2015	DATE - 9/9/2015

DESIGNED - RLA	REVISED -
DRAWN - MGD	REVISED -
CHECKED - MPB	REVISED -
DATE - 9/9/2015	REVISED -

**STATE OF ILLINOIS
DEPARTMENT OF TRANSPORTATION**

**EAST MAIN STREET
GENERAL NOTES AND LEGEND**

SCALE:	SHEET NO. OF SHEETS	STA. TO STA.
--------	---------------------	--------------

F.A.U. RTE.	SECTION	COUNTY	TOTAL SHEETS	SHEET NO.
6800	05-00500-19-GS	KNOX	221	3
50VB		CONTRACT NO.89417		
FED. ROAD DIST. NO.		ILLINOIS FED. AID PROJECT		

ITEM NUMBER	ITEM	UNIT	TOTAL QUANTITY
20100110	TREE REMOVAL (6 TO 15 UNITS DIAMETER)	UNIT	38
20100210	TREE REMOVAL (OVER 15 UNITS DIAMETER)	UNIT	52
20201200	REMOVAL AND DISPOSAL OF UNSUITABLE MATERIAL	CU YD	1000
20700220	POROUS GRANULAR EMBANKMENT	CU YD	1000
20800150	TRENCH BACKFILL	CU YD	1818
21001000	GEOTECHNICAL FABRIC FOR GROUND STABILIZATION	SQ YD	11291
21101625	TOPSOIL FURNISH AND PLACE, 6"	SQ YD	26074
25000100	SEEDING, CLASS 1	ACRE	3.25
25000400	NITROGEN FERTILIZER NUTRIENT	POUND	418
25000500	PHOSPHORUS FERTILIZER NUTRIENT	POUND	418
25000600	POTASSIUM FERTILIZER NUTRIENT	POUND	418
25100115	MULCH, METHOD 2	ACRE	3.25
25200100	SODDING	SQ YD	9102
25200110	SODDING, SALT TOLERANT	SQ YD	1637
25200200	SUPPLEMENTAL WATERING	UNIT	161
28000250	TEMPORARY EROSION CONTROL SEEDING	POUND	539
28000305	TEMPORARY DITCH CHECKS	FOOT	90
28000400	PERIMETER EROSION BARRIER	FOOT	1339
28000510	INLET FILTERS	EACH	45
30300011	AGGREGATE SUBGRADE IMPROVEMENT	TON	8822
35300200	PORTLAND CEMENT CONCRETE BASE COURSE 7"	SQ YD	77
40200500	AGGREGATE SURFACE COURSE, TYPE A 6"	SQ YD	392
40201000	AGGREGATE FOR TEMPORARY ACCESS	TON	500
40600275	BITUMINOUS MATERIALS (PRIME COAT)	POUND	4134
40600285	POLYMERIZED BITUMINOUS MATERIALS (PRIME COAT)	POUND	4872
40600982	HOT-MIX ASPHALT SURFACE REMOVAL - BUTT JOINT	SQ YD	491
40603100	HOT-MIX ASPHALT BINDER COURSE, IL-19.0L, N30	TON	333
40603305	HOT-MIX ASPHALT SURFACE COURSE, MIX "C", N30	TON	246
40603540	POLYMERIZED HOT-MIX ASPHALT SURFACE COURSE, MIX "D", N70	TON	1364
42000201	PORTLAND CEMENT CONCRETE PAVEMENT 7" (JOINTED)	SQ YD	1303
42000401	PORTLAND CEMENT CONCRETE PAVEMENT 9" (JOINTED)	SQ YD	8362
42001300	PROTECTIVE COAT	SQ YD	6742
42300200	PORTLAND CEMENT CONCRETE DRIVEWAY PAVEMENT, 6 INCH	SQ YD	105
42300400	PORTLAND CEMENT CONCRETE DRIVEWAY PAVEMENT, 8 INCH	SQ YD	738
42400100	PORTLAND CEMENT CONCRETE SIDEWALK 4 INCH	SQ FT	24240
42400300	PORTLAND CEMENT CONCRETE SIDEWALK 6 INCH	SQ FT	380
42400410	PORTLAND CEMENT CONCRETE SIDEWALK 8 INCH	SQ FT	5520
42400800	DETECTABLE WARNINGS	SQ FT	191
44000100	PAVEMENT REMOVAL	SQ YD	10398
44000200	DRIVEWAY PAVEMENT REMOVAL	SQ YD	1989
44000300	CURB REMOVAL	FOOT	402
44000500	COMBINATION CURB AND GUTTER REMOVAL	FOOT	3345
44000600	SIDEWALK REMOVAL	SQ FT	13042
44201329	CLASS C PATCHES, TYPE II, 8 INCH	SQ YD	37.7
44201333	CLASS C PATCHES, TYPE III, 8 INCH	SQ YD	35
44201335	CLASS C PATCHES, TYPE IV, 8 INCH	SQ YD	178
44201747	CLASS D PATCHES, TYPE IV, 8 INCH	SQ YD	188
50200100	STRUCTURE EXCAVATION	CU YD	5768
50300225	CONCRETE STRUCTURES	CU YD	399
50300285	FORM LINER TEXTURED SURFACE	SQ FT	3764
50500105	FURNISHING AND ERECTING STRUCTURAL STEEL	LSUM	1
50500505	STUD SHEAR CONNECTORS	EACH	142
50800205	REINFORCEMENT BARS, EPOXY COATED	POUND	22550
51100100	SLOPE WALL 4 INCH	SQ YD	580
51202100	FURNISHING STEEL PILES HP14X117	FOOT	12543
51202305	DRIVING PILES	FOOT	12718
51204100	TEST PILE STEEL HP14X117	EACH	4
51500100	NAME PLATES	EACH	2

• SPECIALTY ITEM

ITEM NUMBER	ITEM	UNIT	TOTAL QUANTITY
550A0050	STORM SEWERS, CLASS A, TYPE 1 12"	FOOT	1319.5
550A0070	STORM SEWERS, CLASS A, TYPE 1 15"	FOOT	233
550A0340	STORM SEWERS, CLASS A, TYPE 2 12"	FOOT	163.5
550A0360	STORM SEWERS, CLASS A, TYPE 2 15"	FOOT	77.5
550A0380	STORM SEWERS, CLASS A, TYPE 2 18"	FOOT	61
550A0410	STORM SEWERS, CLASS A, TYPE 2 24"	FOOT	16.5
* 56100600	WATER MAIN 6"	FOOT	300
* 56100900	WATER MAIN 12"	FOOT	1110
* 56103300	DUCTILE IRON WATER MAIN 12"	FOOT	565
* 56103520	DUCTILE IRON WATER MAIN 24"	FOOT	988
* 56104900	WATER VALVES 6"	EACH	6
* 56105200	WATER VALVES 12"	EACH	4
* 56108800	TAPPING VALVES AND SLEEVES 6"	EACH	2
* 56400600	FIRE HYDRANTS	EACH	5
58000100	MEMBRANE WATERPROOFING	SQ FT	10480
58700300	CONCRETE SEALER	SQ FT	9590
59100100	GEOCOMPOSITE WALL DRAIN	SQ YD	250
59300100	CONTROLLED LOW-STRENGTH MATERIAL	CU YD	120
60100915	PIPE DRAINS 6"	FOOT	4
60107600	PIPE UNDERDRAINS 4"	FOOT	2555
60218400	MANHOLES, TYPE A, 4'-DIAMETER, TYPE 1 FRAME, CLOSED LID	EACH	6
60218500	MANHOLES, TYPE A, 4'-DIAMETER, TYPE 3 FRAME AND GRATE	EACH	9
60219300	MANHOLES, TYPE A, 4'-DIAMETER, TYPE 11 FRAME AND GRATE	EACH	4
60221100	MANHOLES, TYPE A, 5'-DIAMETER, TYPE 1 FRAME, CLOSED LID	EACH	2
60235700	INLETS, TYPE A, TYPE 3 FRAME AND GRATE	EACH	4
60236200	INLETS, TYPE A, TYPE 8 GRATE	EACH	4
60236800	INLETS, TYPE A, TYPE 11 FRAME AND GRATE	EACH	7
60240210	INLETS, TYPE B, TYPE 1 FRAME, OPEN LID	EACH	1
60240220	INLETS, TYPE B, TYPE 3 FRAME AND GRATE	EACH	12
60221200	MANHOLES, TYPE A, 5'-DIAMETER, TYPE 3 FRAME AND GRATE	EACH	2
60240310	INLETS, TYPE B, TYPE 11 FRAME AND GRATE	EACH	2
60255800	MANHOLES TO BE ADJUSTED WITH NEW TYPE 1 FRAME, CLOSED LID	EACH	1
60500040	REMOVING MANHOLES	EACH	11
60500060	REMOVING INLETS	EACH	12
60600605	CONCRETE CURB, TYPE B	FOOT	168
60602800	CONCRETE GUTTER, TYPE B	FOOT	160
60603800	COMBINATION CONCRETE CURB AND GUTTER, TYPE B-6.12	FOOT	1519
60605000	COMBINATION CONCRETE CURB AND GUTTER, TYPE B-6.24	FOOT	2508
60611811	COMBINATION CONCRETE CURB AND GUTTER, TYPE M (MODIFIED)	FOOT	198
* 64100115	SIGHT SCREEN (WOODEN FENCE), TYPE P 6'	FOOT	132
64300240	IMPACT ATTENUATORS (FULLY REDIRECTIVE, NARROW), TEST LEVEL 2	EACH	2
67100100	MOBILIZATION	LSUM	1
70106800	CHANGEABLE MESSAGE SIGN	CAL MO	100
70300210	TEMPORARY PAVEMENT MARKING LETTERS AND SYMBOLS	SQ FT	62
70300220	TEMPORARY PAVEMENT MARKING - LINE 4"	FOOT	4208
70300280	TEMPORARY PAVEMENT MARKING - LINE 24"	FOOT	60
70301000	WORK ZONE PAVEMENT MARKING REMOVAL	SQ FT	1571
72000100	SIGN PANEL - TYPE 1	SQ FT	46.25
72000200	SIGN PANEL - TYPE 2	SQ FT	80
72900100	METAL POST - TYPE A	FOOT	50
72900200	METAL POST - TYPE B	FOOT	126.5
* 78009000	MODIFIED URETHANE PAVEMENT MARKING - LETTERS AND SYMBOLS	SQ FT	329
* 78009004	MODIFIED URETHANE PAVEMENT MARKING - LINE 4"	FOOT	6957
* 78009006	MODIFIED URETHANE PAVEMENT MARKING - LINE 6"	FOOT	72
* 78009008	MODIFIED URETHANE PAVEMENT MARKING - LINE 8"	FOOT	1889
* 78009012	MODIFIED URETHANE PAVEMENT MARKING - LINE 12"	FOOT	407
* 78009024	MODIFIED URETHANE PAVEMENT MARKING - LINE 24"	FOOT	191
78300100	PAVEMENT MARKING REMOVAL	SQ FT	1377

• SPECIALTY ITEM

LAYOUT	RLA	2/11/14
DRAWN	MGD	5/27/15
REVIEWED	MPB	5/28/15

FILE NAME = c:\pwise_work\do_not_delete\d0273754\049	USER NAME = dawso0878	DESIGNED - RLA	REVISED -
	9L0105-shr-500001.dgn	DRAWN - MGD	REVISED -
	PLOT SCALE = 5.0000' / 1"	CHECKED - MPB	REVISED -
	PLOT DATE = 9/9/2015	DATE - 9/9/2015	REVISED -

**STATE OF ILLINOIS
DEPARTMENT OF TRANSPORTATION**

EAST MAIN STREET SUMMARY OF QUANTITIES			
SCALE:	SHEET NO.	OF SHEETS	STA. TO STA.

F.A.U. RTE.	SECTION	COUNTY	TOTAL SHEETS	SHEET NO.
6800	05-00500-19-GS	KNOX	221	4
50VB			CONTRACT NO.89417	
FED. ROAD DIST. NO. ILLINOIS FED. AID PROJECT				

ITEM NUMBER	ITEM	UNIT	TOTAL QUANTITY
* 80400100	ELECTRIC SERVICE INSTALLATION	EACH	2
* 81028320	UNDERGROUND CONDUIT, PVC, 1" DIA.	FOOT	300
* 81028350	UNDERGROUND CONDUIT, PVC, 2" DIA.	FOOT	12184
* 81028370	UNDERGROUND CONDUIT, PVC, 3" DIA.	FOOT	79
* 81028390	UNDERGROUND CONDUIT, PVC, 4" DIA.	FOOT	331
* 81100300	CONDUIT ATTACHED TO STRUCTURE, 1" DIA., GALVANIZED STEEL	FOOT	122
* 81100800	CONDUIT ATTACHED TO STRUCTURE, 3" DIA., GALVANIZED STEEL	FOOT	122
* 81300220	JUNCTION BOX, STAINLESS STEEL, ATTACHED TO STRUCTURE, 6" X 6" X 4"	EACH	4
* 81300530	JUNCTION BOX, STAINLESS STEEL, ATTACHED TO STRUCTURE, 12" X 10" X 6"	EACH	6
* 81300555	JUNCTION BOX, STAINLESS STEEL, ATTACHED TO STRUCTURE, 12" X 12" X 8"	EACH	4
* 81400100	HANDHOLE	EACH	2
* 81400700	HANDHOLE, PORTLAND CEMENT CONCRETE	EACH	14
* 81400720	DOUBLE HANDHOLE, PORTLAND CEMENT CONCRETE	EACH	1
* 81702110	ELECTRIC CABLE IN CONDUIT, 600V (XLP-TYPE USE) 1/C NO. 10	FOOT	4200
* 81702120	ELECTRIC CABLE IN CONDUIT, 600V (XLP-TYPE USE) 1/C NO. 8	FOOT	6175
* 81702130	ELECTRIC CABLE IN CONDUIT, 600V (XLP-TYPE USE) 1/C NO. 6	FOOT	8668
* 82500390	LIGHTING CONTROLLER, BASE MOUNTED, 240VOLT, 100AMP (DUAL)	EACH	1
* 83600200	LIGHT POLE FOUNDATION, 24" DIAMETER	FOOT	195
* 84200600	REMOVAL OF LIGHTING UNIT, NO SALVAGE	EACH	7
* 85700200	FULL-ACTUATED CONTROLLER AND TYPE IV CABINET	EACH	1
* 86200200	UNINTERRUPTABLE POWER SUPPLY, STANDARD	EACH	1
* 87301225	ELECTRIC CABLE IN CONDUIT, SIGNAL NO. 14 3C	FOOT	1277.5
* 87301245	ELECTRIC CABLE IN CONDUIT, SIGNAL NO. 14 5C	FOOT	2855.5
* 87301515	ELECTRIC CABLE IN CONDUIT, LEAD-IN, NO. 18 3 PAIR	FOOT	484
* 87301900	ELECTRIC CABLE IN CONDUIT, EQUIPMENT GROUNDING CONDUCTOR, NO. 6 1C	FOOT	657.5
* 87502440	TRAFFIC SIGNAL POST, GALVANIZED STEEL 10 FT.	EACH	6
* 87702920	STEEL COMBINATION MAST ARM ASSEMBLY AND POLE 38 FT.	EACH	1
* 87702930	STEEL COMBINATION MAST ARM ASSEMBLY AND POLE 40 FT.	EACH	1
* 87702950	STEEL COMBINATION MAST ARM ASSEMBLY AND POLE 44 FT.	EACH	2
* 87800100	CONCRETE FOUNDATION, TYPE A	FOOT	18
* 87800150	CONCRETE FOUNDATION, TYPE C	FOOT	3
* 87800415	CONCRETE FOUNDATION, TYPE E 36-INCH DIAMETER	FOOT	50
* 88040070	SIGNAL HEAD, POLYCARBONATE, LED, 1-FACE, 3-SECTION, BRACKET MOUNTED	EACH	4
* 88040090	SIGNAL HEAD, POLYCARBONATE, LED, 1-FACE, 3-SECTION, MAST ARM MOUNTED	EACH	6
* 88102717	PEDESTRIAN SIGNAL HEAD, LED, 1-FACE, BRACKET MOUNTED WITH COUNTDOWN TIMER	EACH	8
* 88200510	TRAFFIC SIGNAL BACKPLATE, RETROREFLECTIVE	EACH	10
* 88500100	INDUCTIVE LOOP DETECTOR	EACH	2
* 88600100	DETECTOR LOOP, TYPE I	FOOT	596.5
* 88800100	PEDESTRIAN PUSH-BUTTON	EACH	8
* 89502375	REMOVE EXISTING TRAFFIC SIGNAL EQUIPMENT	EACH	1
* 89502385	REMOVE EXISTING CONCRETE FOUNDATION	EACH	3
* B2001116	TREE, CERCIS CANADENSIS (EASTERN REDBUD), 2" CALIPER, TREE FORM, BALLED AND BURLAPPED	EACH	21
* B2004116	TREE, MALUS PRAIRIFIRE (PRAIRIFIRE CRABAPPLE), 2" CALIPER, TREE FORM, BALLED AND BURLAPPED	EACH	20
* X0323389	STORM SEWER CONNECTION	EACH	2
* X0323760	SANITARY SEWER SERVICE, 6" PVC, COMPLETE	EACH	1
* X0323898	CLOSED CIRCUIT TELEVISION DOME CAMERA	EACH	2
X0323923	SUPPORT EQUIPMENT AND MAINTENANCE	LSUM	1
X0324455	DRILLING AND SETTING SOLDIER PILES (IN SOIL)	CU FT	3058
* X0324878	ADJUSTING SANITARY SEWER SERVICE LINE	EACH	6
X0325751	DRIVING SOLDIER PILES	FOOT	175
* X0326654	ORNAMENTAL LIGHT UNIT, COMPLETE	EACH	21
X0326671	CONCRETE SURFACE COLOR TREATMENT	SQ FT	60
* X0326812	CAT 5 ETHERNET CABLE	FOOT	500
X0326864	BRICK SIDEWALK REMOVAL	SQ FT	1457
X0327131	DRAINAGE STRUCTURES, NO. 1	EACH	3
X0327680	TRENCH DRAIN	FOOT	24
* X0783300	PUMP STATION ELECTRICAL WORK	LSUM	1
* X0783500	PUMP STATION MECHANICAL WORK	LSUM	1

* SPECIALTY ITEM

ITEM NUMBER	ITEM	UNIT	TOTAL QUANTITY
X2130010	EXPLORATION TRENCH, SPECIAL	FOOT	50
X4401198	HOT-MIX ASPHALT SURFACE REMOVAL, VARIABLE DEPTH	SQ YD	1942
X5011100	FOUNDATION REMOVAL	EACH	1
X5040050	PRECAST CONCRETE SUBSTRUCTURE	LSUM	1
X5860110	GRANULAR BACKFILL FOR STRUCTURES	CU YD	370
X6022810	MANHOLES, SANITARY, 4'-DIAMETER, TYPE 1 FRAME, CLOSED LID	EACH	7
X6026054	SANITARY MANHOLES TO BE REMOVED	EACH	6
X6026056	SANITARY MANHOLES TO BE ADJUSTED WITH NEW TYPE 1 FRAME, CLOSED LID	EACH	11
X6060505	CONCRETE CURB (SPECIAL)	FOOT	189
X6700410	ENGINEER'S FIELD OFFICE, TYPE A (SPECIAL)	CAL MO	20
X7010216	TRAFFIC CONTROL AND PROTECTION, (SPECIAL)	LSUM	1
* X8210675	LUMINAIRE, METAL HALIDE HORIZONTAL MOUNT 400 WATT	EACH	4
* X8211000	UNDERPASS LUMINAIRE (SPECIAL)	EACH	6
* X8710024	FIBER OPTIC CABLE IN CONDUIT, NO. 62.5/125, MM12F SM24F	FOOT	5000
* X8710050	FIBER OPTIC ETHERNET DROP AND REPEAT SWITCH	EACH	2
* X8710071	FIBER OPTIC FUSION SPLICE	EACH	18
XX000300	CONCRETE STEPS	SQ FT	139
XX001286	SPECIAL EXCAVATION	CU YD	71386
XX002090	STAIR SIDE RAILING	FOOT	29
* XX004242	ORNAMENTAL HANDRAIL	FOOT	160
* XX006653	FENCE (SPECIAL)	FOOT	446
XX006898	STAMPED COLORED PORTLAND CEMENT CONCRETE	SQ FT	553
* XX007531	RELOCATE EXISTING LIGHT POLE ONTO NEW FOUNDATION	EACH	2
* XX007797	LUMINAIRE (SPECIAL)	EACH	38
* XX008257	STAMPED COLORED PORTLAND CEMENT CONCRETE SIDEWALK, 5 INCH	SQ FT	5067
XX008954	PRECAST PRESTRESSED CONCRETE FASCIA BEAM	FOOT	446
Z0007118	UNTREATED TIMBER LAGGING	SQ FT	829
* Z0007601	BUILDING REMOVAL NO. 1	LSUM	1
Z0013302	SEGMENTAL CONCRETE BLOCK WALL	SQ FT	4212
Z0013798	CONSTRUCTION LAYOUT	LSUM	1
Z0018800	DRAINAGE SYSTEM	LSUM	1
* Z0022800	FENCE REMOVAL	FOOT	99
Z0026402	FURNISHING SOLDIER PILES (HP SECTION)	FOOT	175
Z0026404	FURNISHING SOLDIER PILES (W SECTION)	FOOT	505
Z0046304	PIPE UNDERDRAINS FOR STRUCTURES 4"	FOOT	1107
* Z0047700	PUMPING STATION	LSUM	1
Z0048665	RAILROAD PROTECTIVE LIABILITY INSURANCE	LSUM	1
Z0056648	STORM SEWERS, TYPE 1, WATER MAIN QUALITY PIPE, 12"	FOOT	127.5
Z0056652	STORM SEWERS, TYPE 1, WATER MAIN QUALITY PIPE, 18"	FOOT	91.5
Z0056668	STORM SEWERS, TYPE 2, WATER MAIN QUALITY PIPE, 12"	FOOT	60.5
Z0056670	STORM SEWERS, TYPE 2, WATER MAIN QUALITY PIPE, 18"	FOOT	66
* Z0056900	SANITARY SEWER 8"	FOOT	403
* Z0057100	SANITARY SEWER 12"	FOOT	211
* Z0067900	STEEL CASINGS 24"	FOOT	158
* Z0073002	TEMPORARY SOIL RETENTION SYSTEM	SQ FT	2170
Δ Z0076600	TRAINEES	HOURL	500
Δ Z0076604	TRAINEES TRAINING PROGRAM GRADUATE	HOURL	500
XX008892	MANHOLE, ADDITIONAL DEPTH, 4' DIA.	FOOT	9.25
XX009058	TRACK MONITORING	LSUM	1

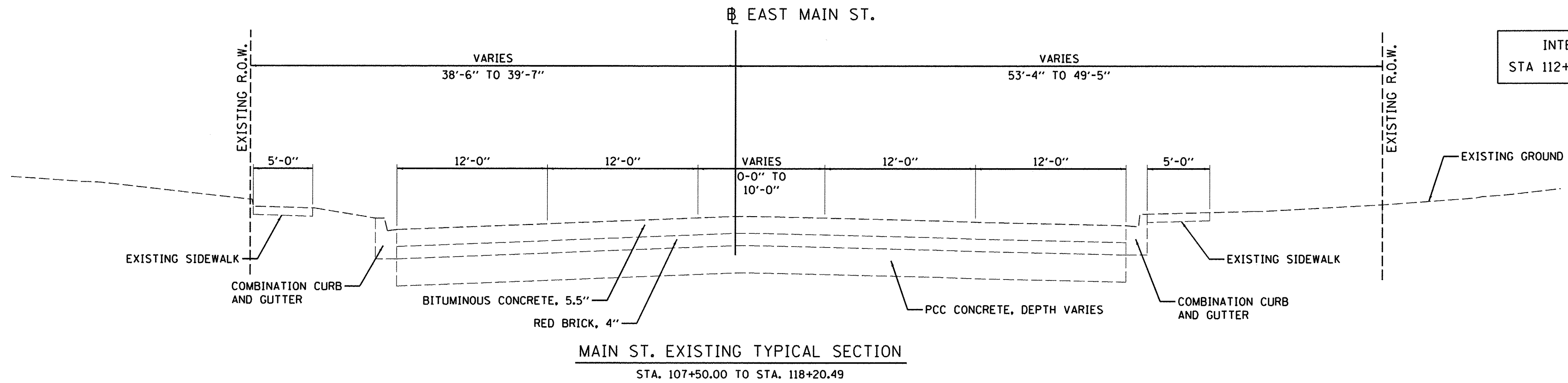
* SPECIALTY ITEM
 Δ 0042

LAYOUT	2/11/14
DRAWN	5/27/15
REVIEWED	5/28/15

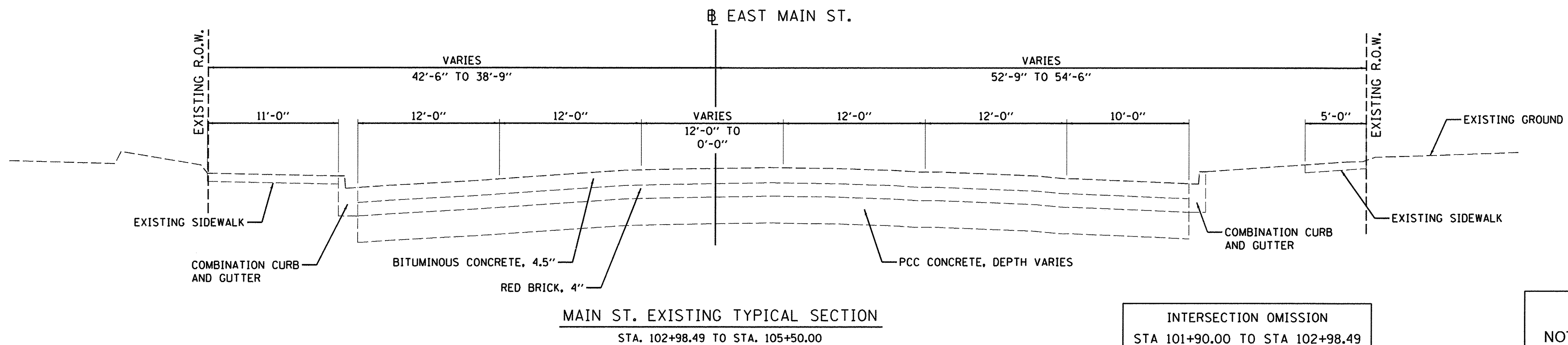
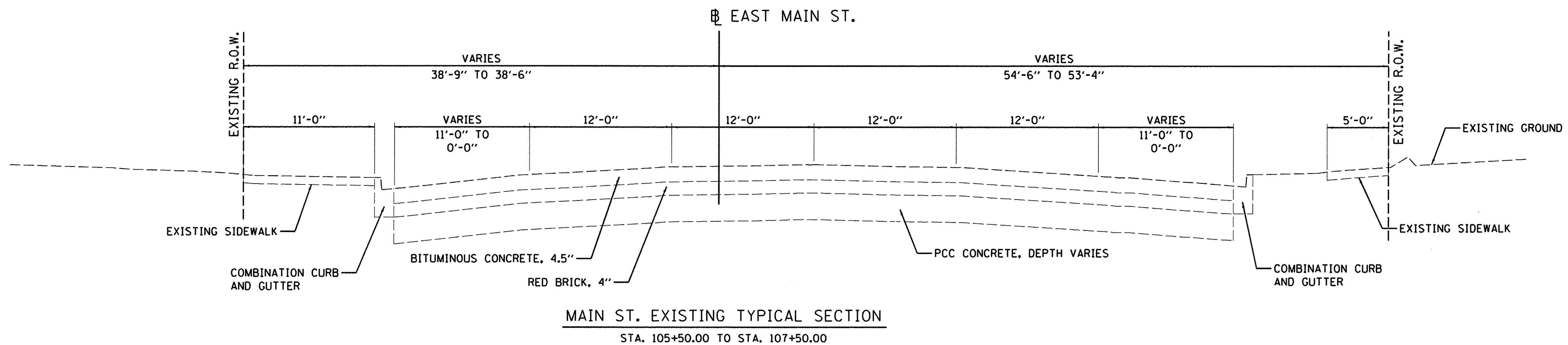
FILE NAME =	USER NAME = dows00078	DESIGNED - RLA	REVISED -
ct:\pwse-work\do-not-delete\0273754\049L0105-shr-500002.dgn	9L0105-shr-500002.dgn	DRAWN - MGD	REVISED -
	PLOT SCALE = 5.0000 / 1 in.	CHECKED - MPB	REVISED -
	PLOT DATE = 9/8/2015	DATE - 9/9/2015	REVISED -

**STATE OF ILLINOIS
 DEPARTMENT OF TRANSPORTATION**

EAST MAIN STREET SUMMARY OF QUANTITIES		F.A.U. RTE.	SECTION	COUNTY	TOTAL SHEETS	SHEET NO.
SCALE:	SHEET NO.	OF	SHEETS	STA.	TO STA.	
			50VB	KNOX	221	5
				CONTRACT NO.89417		
				FED. ROAD DIST. NO. ILLINOIS FED. AID PROJECT		



INTERSECTION OMISSION
 STA 112+88.39 TO STA 113+75.00



INTERSECTION OMISSION
 STA 101+90.00 TO STA 102+98.49

PRELIMINARY
 NOT FOR CONSTRUCTION

LAYOUT	RLA	2/11/14
DRAWN	RLA	5/27/15
REVIEWED	MPB	5/28/15

FILE NAME = c:\pwise_work\do_not_delete\02273754\049\0105-shr-typical001.dgn
 USER NAME = andr00846
 PLOT SCALE = 5.0000' / in.
 PLOT DATE = 9/8/2015

DESIGNED - RLA	REVISOR -
DRAWN - RLA	REVISOR -
CHECKED - MPB	REVISOR -
DATE - 9/9/2015	REVISOR -

STATE OF ILLINOIS
DEPARTMENT OF TRANSPORTATION

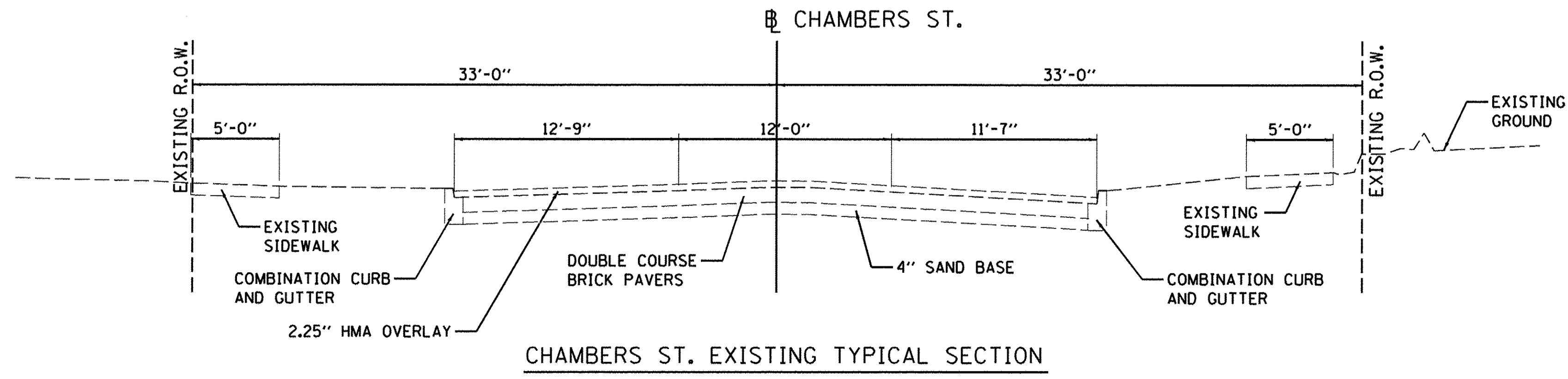
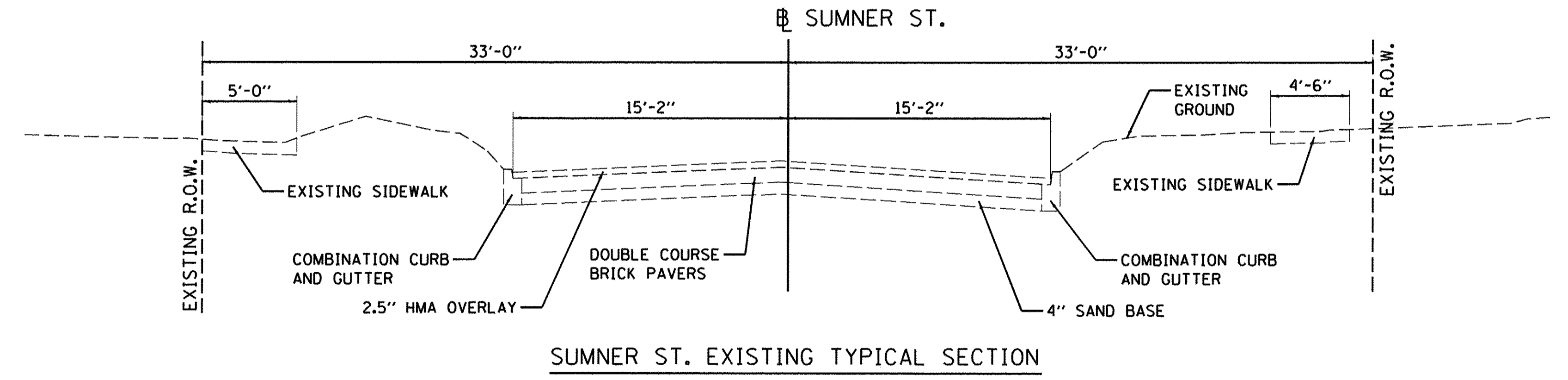
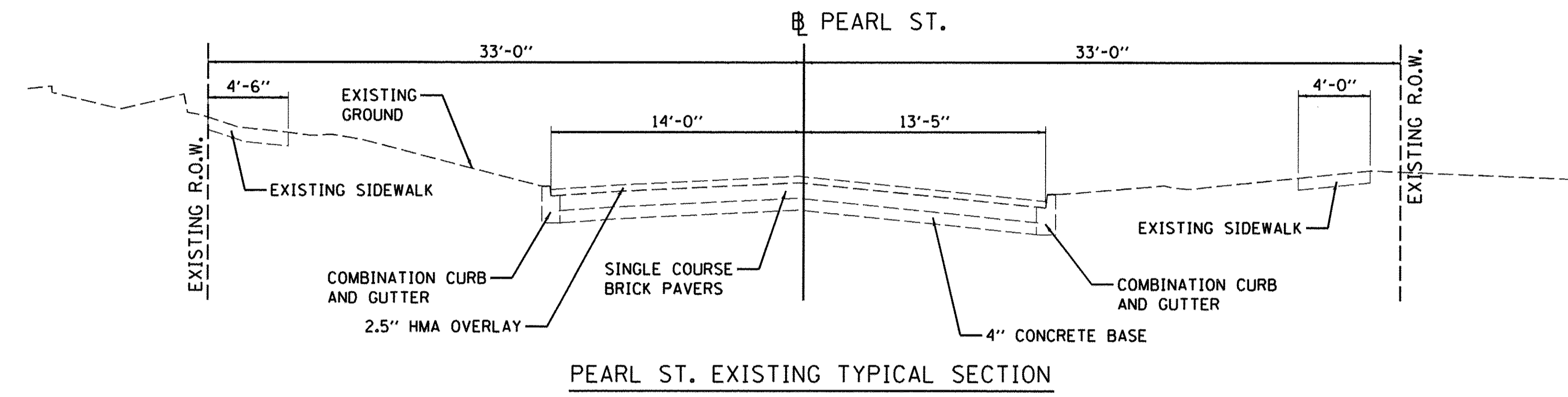
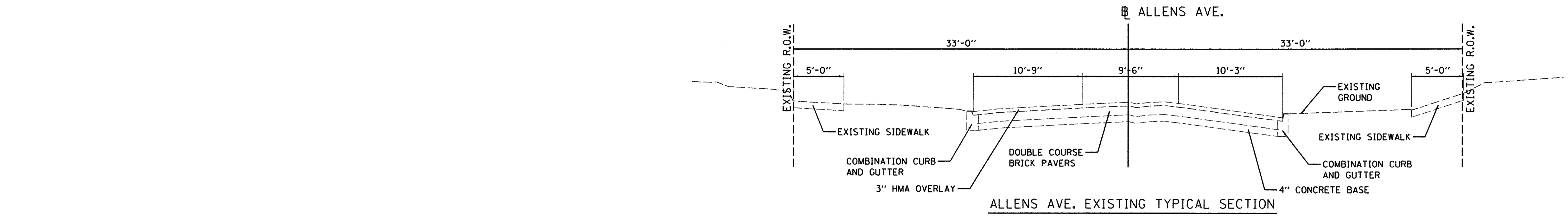
EAST MAIN STREET			
EXISTING TYPICAL SECTIONS			
SCALE: N.T.S.	SHEET NO.	OF SHEETS	STA. TO STA.

F.A.U. RTE.	SECTION	COUNTY	TOTAL SHEETS	SHEET NO.
6800	05-00500-19-GS	KNOX	221	6
50VB		CONTRACT NO.89417		
FED. ROAD DIST. NO.		ILLINOIS FED. AID PROJECT		

c:\pwise_work\do_not_delete\02273754\049\0105-shr-typical001.dgn
 Project Documents\05\Jobs\05\05\CAD\Phase II\Road\Sheet\0105-shr-typical001

FILE NAME = c:\pwise_work\do_not_delete\0273754\049\0105-sht-typical002.dgn
 USER NAME = andr00846
 DESIGNED - RLA
 DRAWN - RLA
 CHECKED - MPB
 DATE - 9/9/2015

LAYOUT	RLA	2/11/14
DRAWN	RLA	5/27/15
REVIEWED	MPB	5/28/15



PRELIMINARY
 NOT FOR CONSTRUCTION

STATE OF ILLINOIS
 DEPARTMENT OF TRANSPORTATION

CHAMBERS STREET, ALLENS AVENUE AND PEARL STREET
 EXISTING TYPICAL SECTIONS

F.A.U. RTE.	SECTION	COUNTY	TOTAL SHEETS	SHEET NO.
6800	05-00500-19-GS	KNOX	221	7
50VB		CONTRACT NO.89417		
FED. ROAD DIST. NO.		ILLINOIS FED. AID PROJECT		

SCALE: N.T.S. SHEET NO. OF SHEETS STA. TO STA.

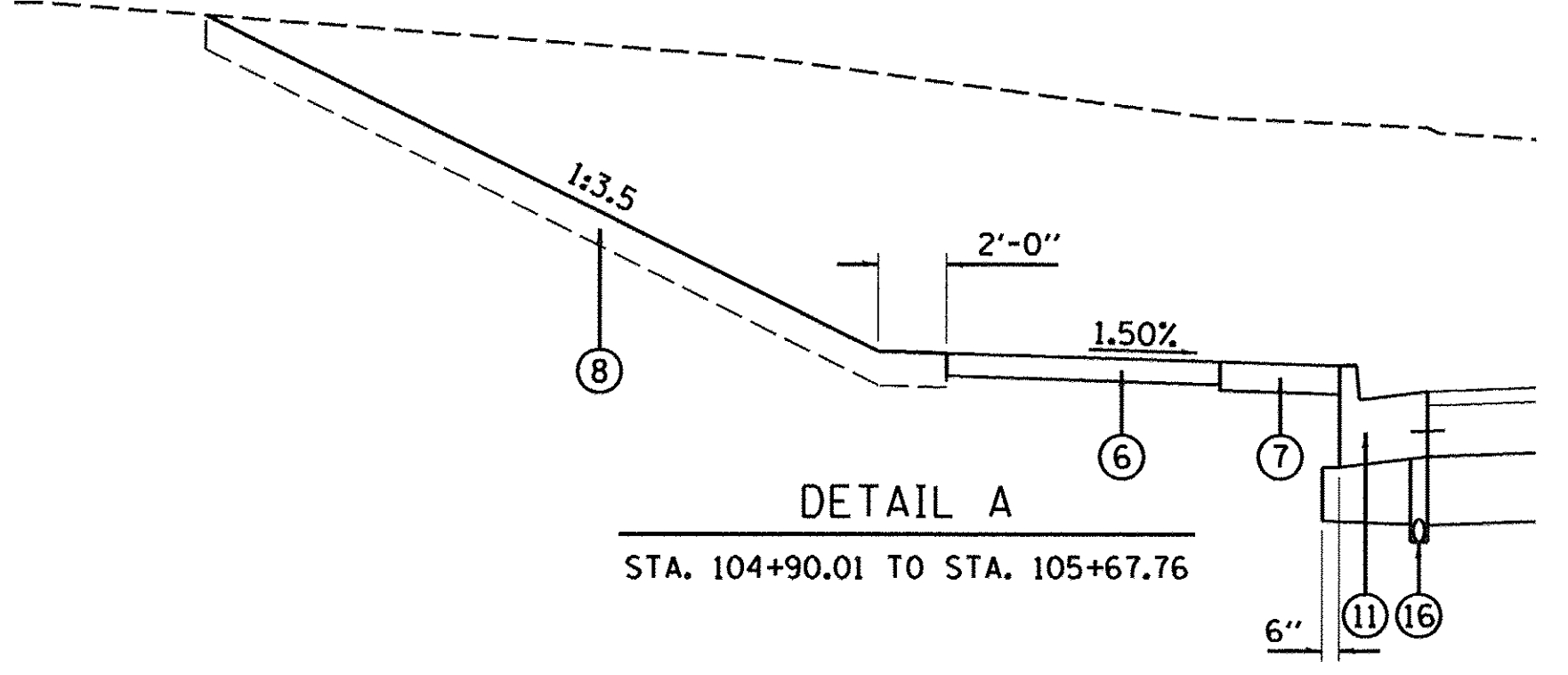
NOTES:

1. SEE JOINTING PLAN SHEETS FOR LOCATIONS OF JOINTS AND TIE BARS.
2. SEE RIGHT OF WAY PLANS FOR EXACT LOCATIONS AND DIMENSIONS.
3. SEE INTERSECTION GRADING DETAIL.
4. SEE SITE LAYOUT AND GRADING DETAILS FOR SLOPES AND LIMITS OF PROPOSED PARKING LOT PAVEMENTS.

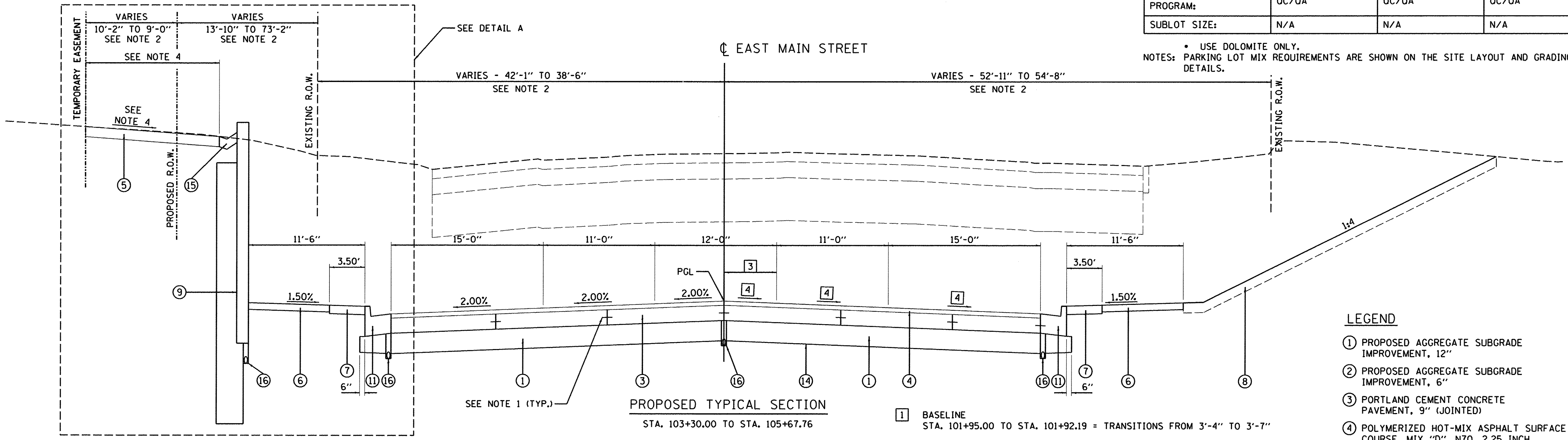
STRUCTURAL DESIGN TRAFFIC: YEAR 2026 ADT 10,217
 PV = 95.4% SU = 0% MU = 4.6%
 ROAD/STREET CLASSIFICATION: CLASS I
 P = 32% S = 45% M = 45%
 TRAFFIC FACTOR: ACTUAL TF = 2.955 AC TYPE = N/A
 MINIMUM TF = 5.024
 AC GRADE: Binder = N/A Surface = N/A
 SUBGRADE SUPPORT RATING:
 SSR = POOR (STA. 101+45.79 TO 114+00.00)
 SSR = POOR (STA. _____ TO _____)

BITUMINOUS MIXTURE REQUIREMENTS
 THE FOLLOWING MIXTURE REQUIREMENTS ARE APPLICABLE FOR THIS PROJECT:

LOCATIONS	EAST MAIN ST. & CHAMBERS ST.	PEARL ST. & SUMNER ST.	SUMNER ST. BINDER COURSE
MIXTURE USE(S):	SURFACE COURSE	SURFACE COURSE	BINDER COURSE
PG:	SBS OR SBR 76-22	PG 58-22	PG 58-22
DESIGN AIR VOIDS:	4.0% @ N-70	4.0% @ N-30	4.0% @ N-30
MIXTURE COMPOSITION: (GRADATION MIXTURE)	IL 9.5	IL 9.5	IL 19.0L
FRICTION AGGREGATE:	MIXTURE D •	MIXTURE C	N/A
MIXTURE WEIGHT:	112 LB/50 YD/IN	112 LB/50 YD/IN	112 LB/50 YD/IN
QUALITY MANAGEMENT PROGRAM:	OC/OA	OC/OA	OC/OA
SUBLOT SIZE:	N/A	N/A	N/A



• USE DOLOMITE ONLY.
 NOTES: PARKING LOT MIX REQUIREMENTS ARE SHOWN ON THE SITE LAYOUT AND GRADING DETAILS.

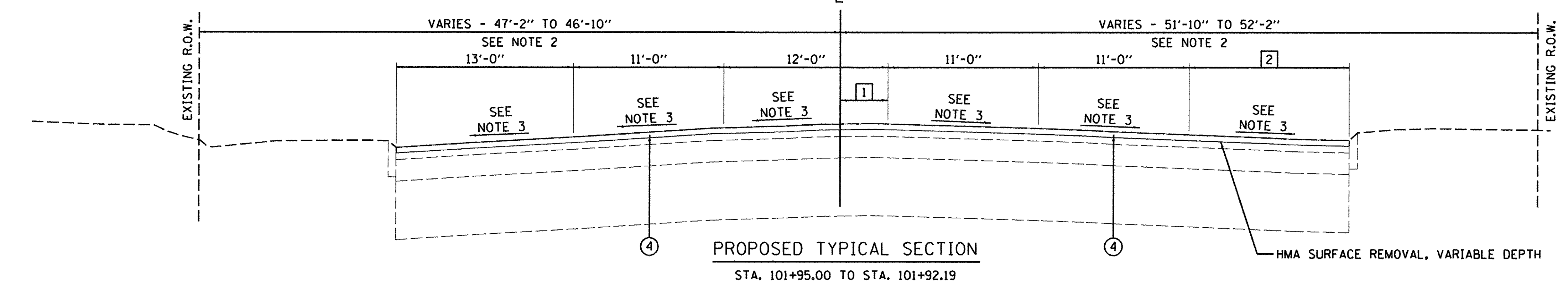


INTERSECTION OMISSION
 STA 101+92.19 TO STA 103+30.00

PRELIMINARY
 NOT FOR CONSTRUCTION

- 1 BASELINE
 STA. 101+95.00 TO STA. 101+92.19 = TRANSITIONS FROM 3'-4" TO 3'-7"
- 2 LANE WIDTH - RIGHT
 STA. 101+95.00 TO STA. 101+92.19 = TRANSITIONS FROM 11'-7" TO 11'-9"
- 3 BASELINE
 STA. 103+06.20 TO STA. 105+67.76 = TRANSITIONS FROM 4'-2" TO 6'-0"
- 4 ROADWAY CROSS SLOPE - RIGHT
 STA. 103+06.20 TO STA. 103+14.00 = TRANSITIONS FROM -1.84% TO -2.00%
 STA. 103+14.00 TO STA. 105+67.76 = -2.00%

- LEGEND**
- 1 PROPOSED AGGREGATE SUBGRADE IMPROVEMENT, 12"
 - 2 PROPOSED AGGREGATE SUBGRADE IMPROVEMENT, 6"
 - 3 PORTLAND CEMENT CONCRETE PAVEMENT, 9" (JOINTED)
 - 4 POLYMERIZED HOT-MIX ASPHALT SURFACE COURSE, MIX "D", N70, 2.25 INCH
 - 5 PARKING LOT PAVEMENT
 - 6 PORTLAND CEMENT CONCRETE SIDEWALK, 4"
 - 7 STAMPED COLORED PCC SIDEWALK, 5"
 - 8 PROPOSED TOPSOIL FURNISH AND PLACE, 6"
 - 9 SOLDIER PILE RETAINING WALL (SEE WALL PLANS)
 - 10 SEGMENTAL CONCRETE BLOCK WALL (SEE WALL PLANS)
 - 11 PROPOSED COMBINATION CONCRETE CURB AND GUTTER, TYPE B-6.24
 - 12 PROPOSED COMBINATION CONCRETE CURB AND GUTTER, TYPE B-6.12
 - 13 PROPOSED COMBINATION CONCRETE CURB AND GUTTER, TYPE M (MODIFIED) (M-2.24)
 - 14 GEOTECHNICAL FABRIC FOR GROUND STABILIZATION
 - 15 CONCRETE GUTTER, TYPE B
 - 16 PIPE UNDERDRAINS, 4"



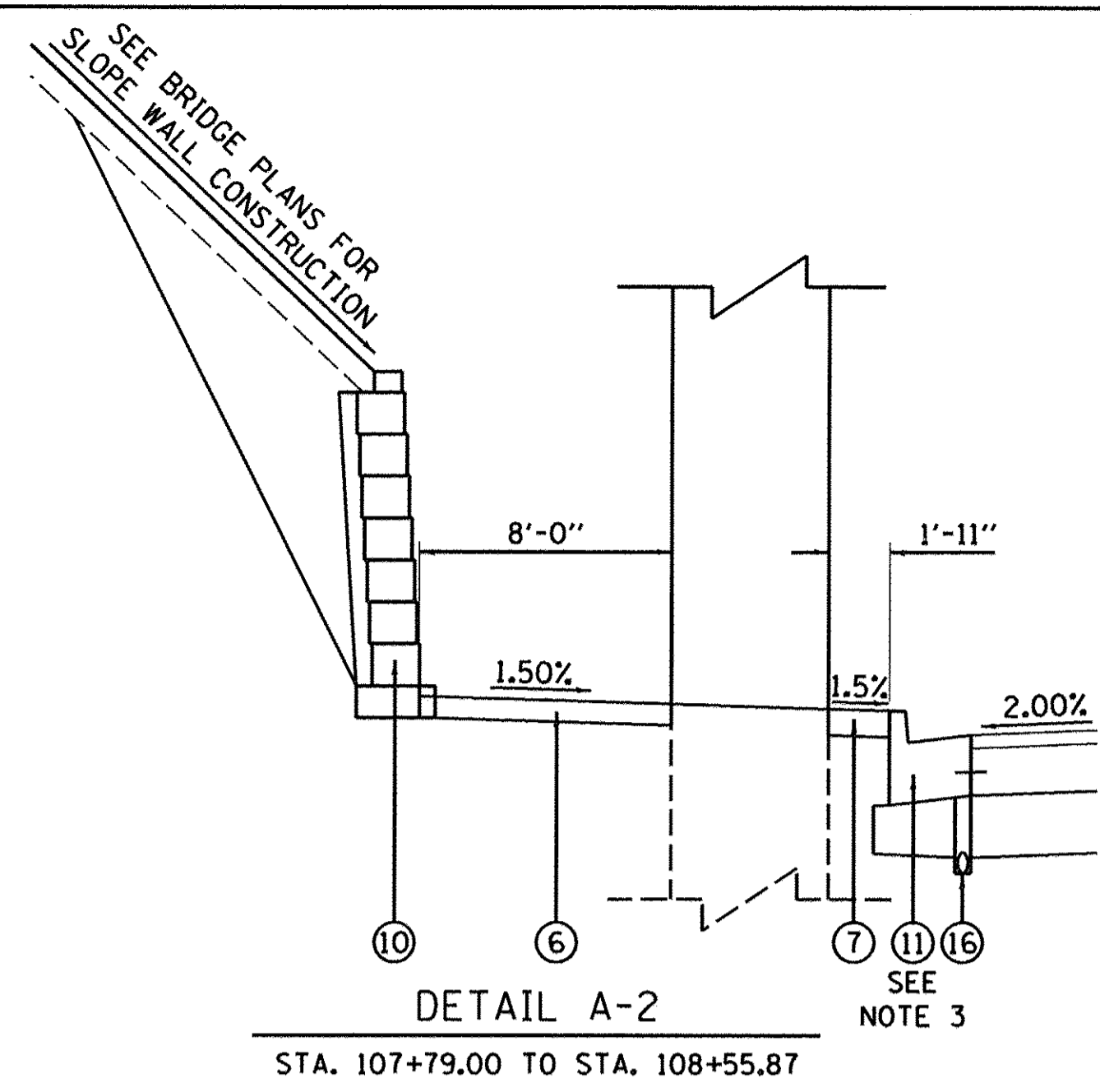
HMA SURFACE REMOVAL, VARIABLE DEPTH

© Copyright Hanson Professional Services Inc. 2015
HANSON
 Hanson Professional Services Inc.

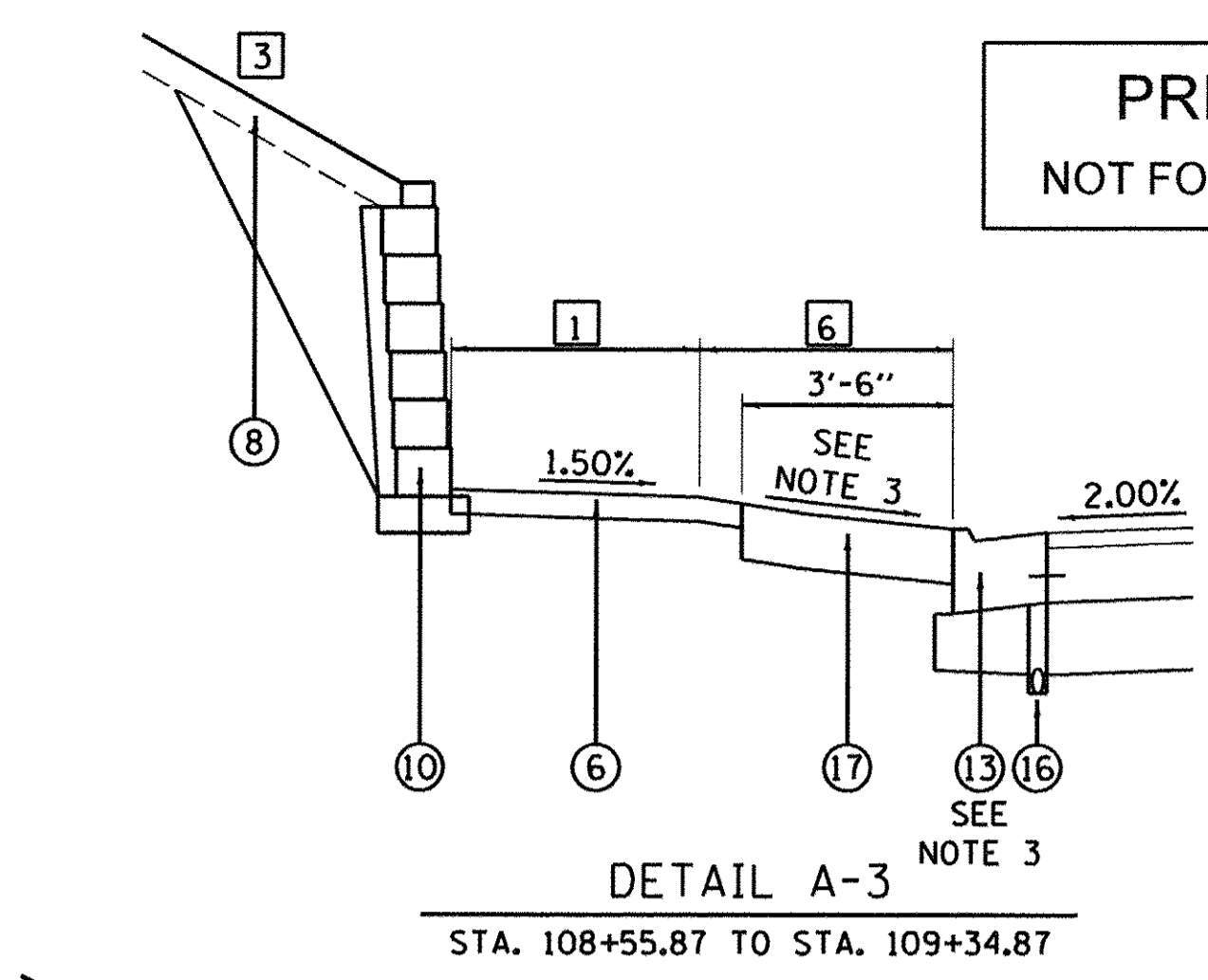
LAYOUT 2/11/14
 DRAWN 5/27/15
 REVIEWED MPB 5/28/15
 PROJECT: \p\wise_work\do_not_delete\0273754\049\0105-shr-typical1003.dgn
 PLOT DATE = 9/8/2015

FILE NAME =	USER NAME = andr00846	DESIGNED - RLA	REVISED -	STATE OF ILLINOIS DEPARTMENT OF TRANSPORTATION	EAST MAIN STREET PROPOSED TYPICAL SECTIONS	F.A.U. RTE. 6800	SECTION 05-00500-19-GS	COUNTY KNOX	TOTAL SHEETS 221	SHEET NO. 8	
PLOT SCALE = 5.0000' / 1"	CHECKED - MPB	REVISOR -	SCALE: N.T.S.			SHEET NO. OF SHEETS	STA. TO STA.	50VB	CONTRACT NO.89417	FED. ROAD DIST. NO. [ILLINOIS] FED. AID PROJECT	
PLOT DATE = 9/8/2015	DATE - 9/9/2015	REVISOR -									

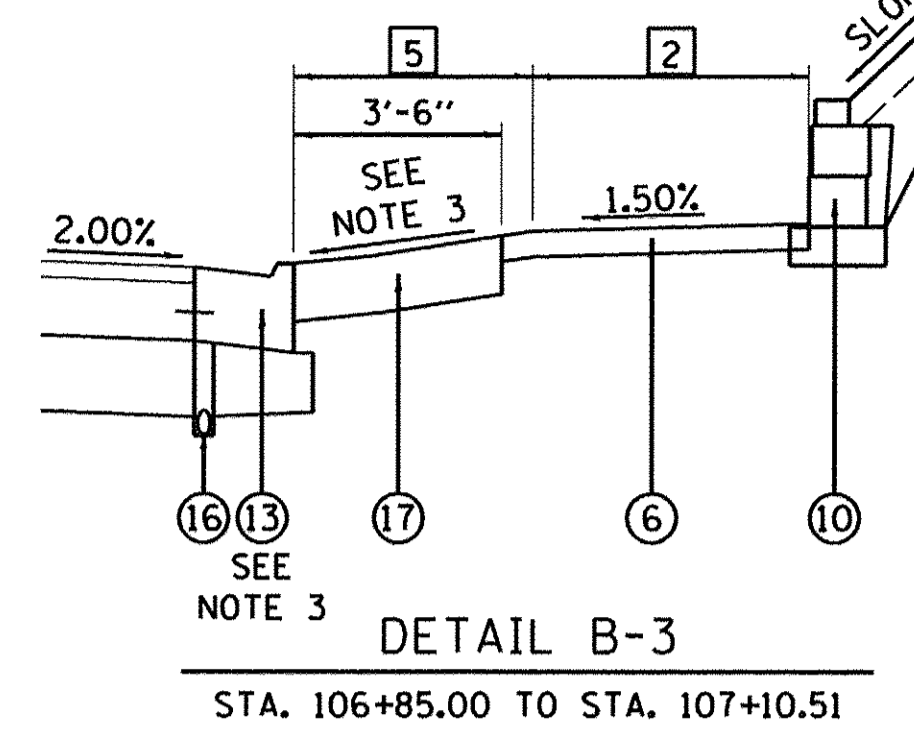
**PRELIMINARY
 NOT FOR CONSTRUCTION**



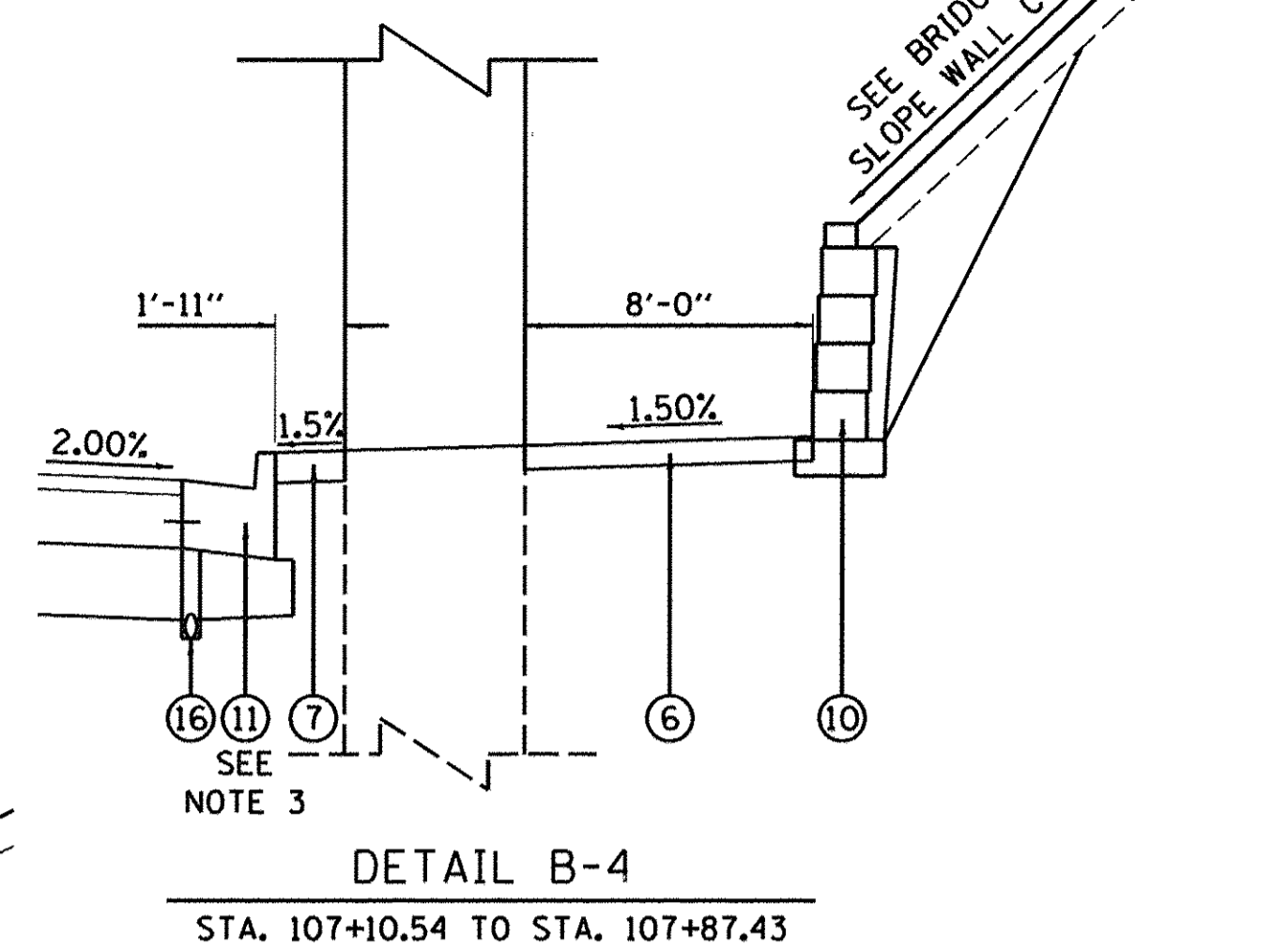
DETAIL A-2
 STA. 107+79.00 TO STA. 108+55.87



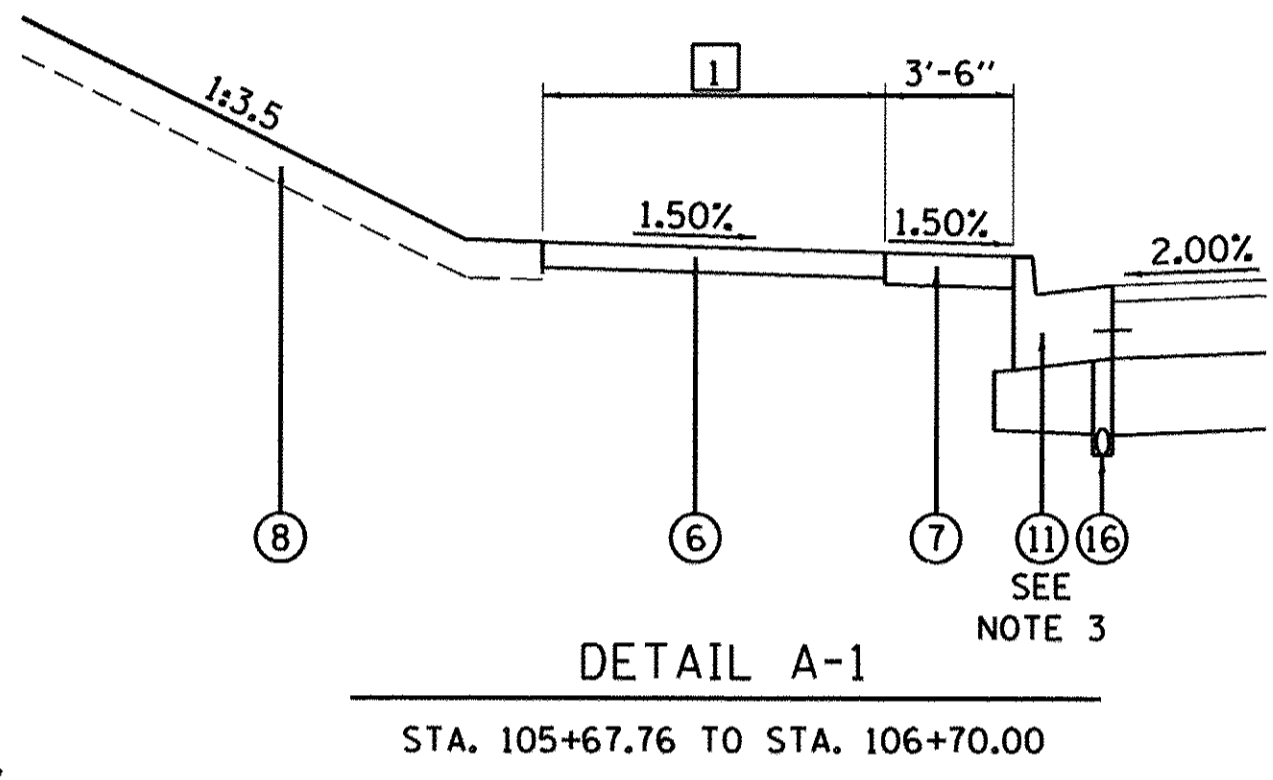
DETAIL A-3
 STA. 108+55.87 TO STA. 109+34.87



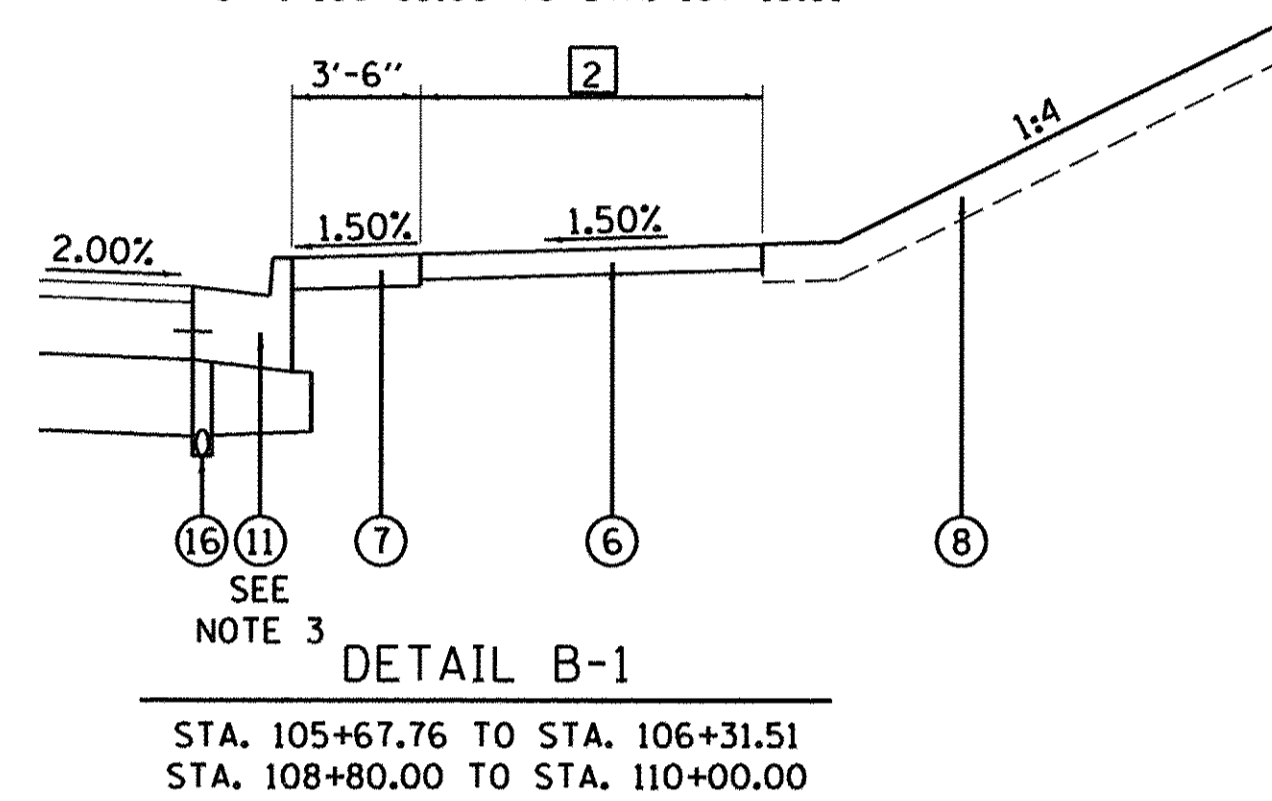
DETAIL B-3
 STA. 106+85.00 TO STA. 107+10.51



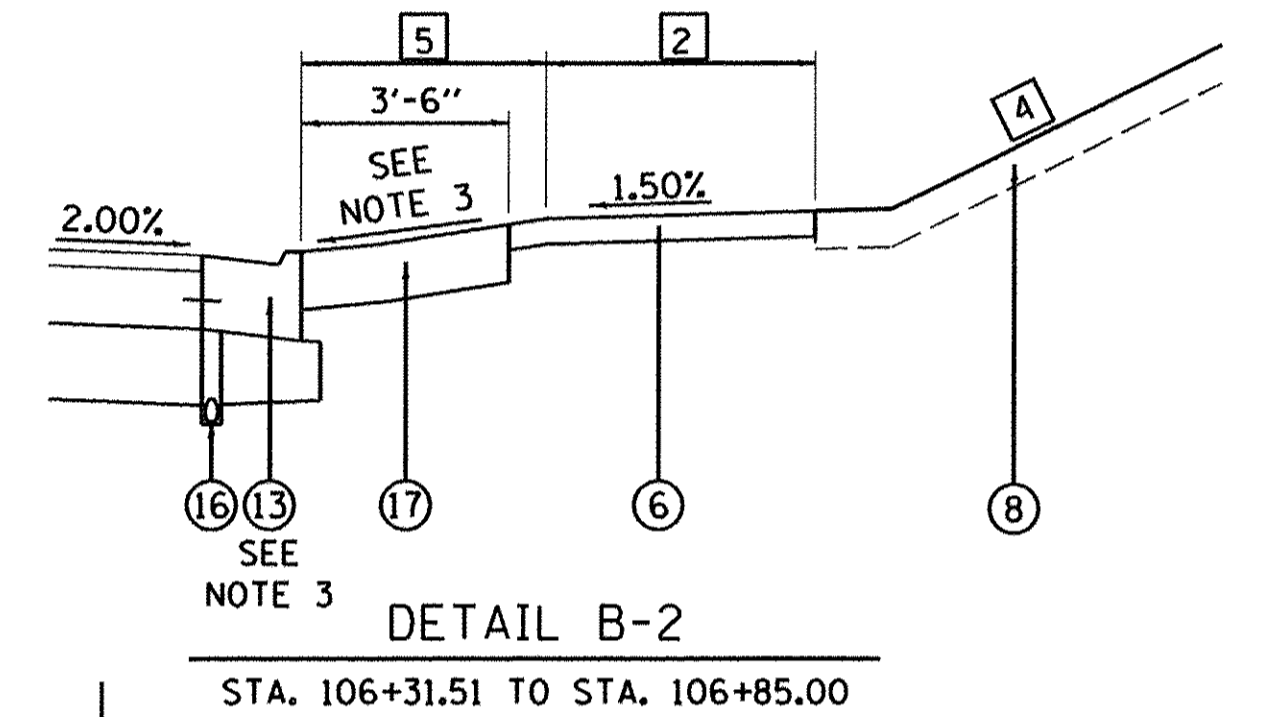
DETAIL B-4
 STA. 107+10.54 TO STA. 107+87.43



DETAIL A-1
 STA. 105+67.76 TO STA. 106+70.00



DETAIL B-1
 STA. 105+67.76 TO STA. 106+31.51
 STA. 108+80.00 TO STA. 110+00.00



DETAIL B-2
 STA. 106+31.51 TO STA. 106+85.00

- 1** SIDEWALK WIDTH - LEFT
 STA. 105+67.76 TO STA. 107+15.00 = TRANSITIONS FROM 8'-0" TO 11'-5"
 STA. 107+15.00 TO STA. 107+79.00 = 11'-5"
 STA. 108+55.87 TO STA. 108+79.87 = 8'-0"
 STA. 108+79.87 TO STA. 109+34.87 = TRANSITIONS FROM 8'-0" TO 9'-6"
 STA. 109+34.87 TO STA. 110+00.00 = TRANSITIONS FROM 9'-6" TO 8'-0"
- 2** SIDEWALK WIDTH - RIGHT
 STA. 105+67.28 TO STA. 106+31.51 = TRANSITIONS FROM 8'-0" TO 9'-6"
 STA. 106+31.51 TO STA. 106+86.51 = TRANSITIONS FROM 9'-6" TO 8'-0"
 STA. 106+86.51 TO STA. 107+10.54 = 8'-0"
 STA. 107+87.43 TO STA. 108+80.00 = 11'-5"
 STA. 108+80.00 TO STA. 110+00.00 = TRANSITIONS FROM 11'-5" TO 8'-0"
- 3** BACKSLOPE - LEFT
 STA. 108+55.94 TO STA. 108+73.30 = 1:2.11 TO 1:2.55
 STA. 108+73.30 TO STA. 108+80.00 = 1:2.55 TO 1:2.75
 STA. 108+80.00 TO STA. 108+95.00 = 1:2.75 TO 1:3.25
 STA. 108+95.00 TO STA. 109+00.00 = 1:3.25
 STA. 109+00.00 TO STA. 109+05.00 = 1:3.25 TO 1:3.5
 STA. 109+05.00 TO STA. 109+34.91 = 1:3.5

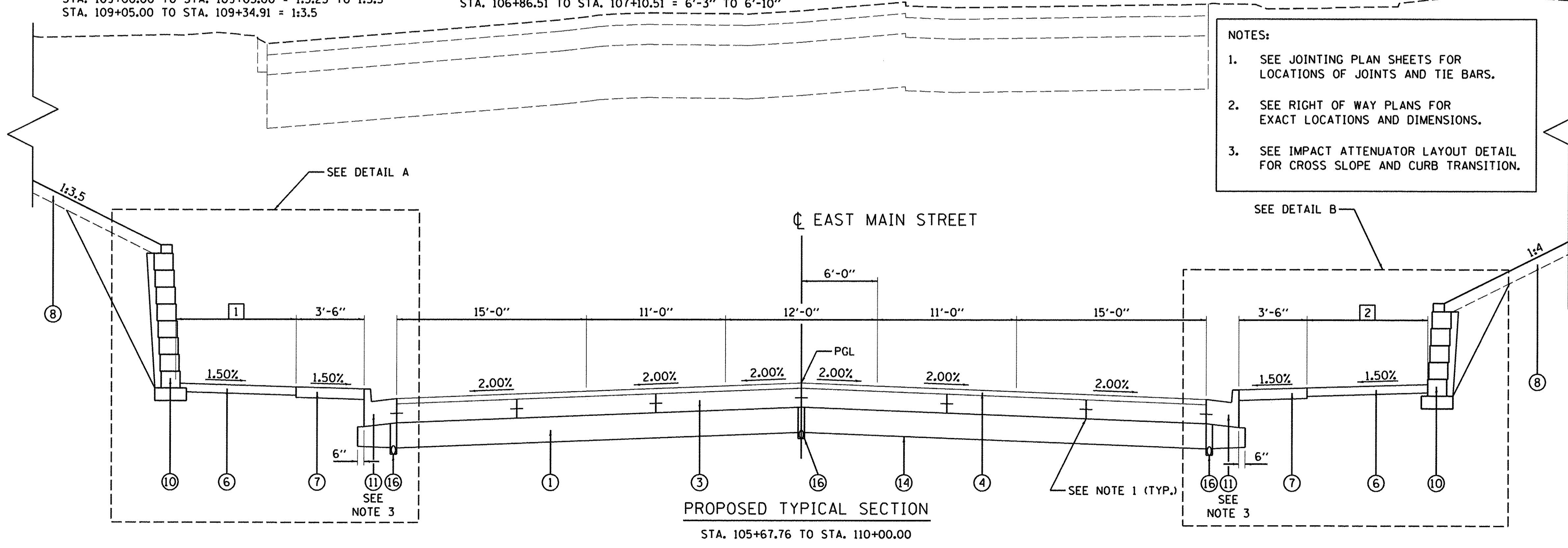
- 4** BACKSLOPE - RIGHT
 STA. 106+31.51 TO STA. 106+50.00 = 1:4
 STA. 106+50.00 TO STA. 106+85.00 = 1:4 TO 1:2
- 5** OFFSET TO GRADE BREAK - RIGHT
 STA. 106+31.51 TO STA. 106+86.51 = TRANSITIONS 3'-6" TO 6'-3"
 STA. 106+86.51 TO STA. 107+10.51 = 6'-3" TO 6'-10"

- 6** OFFSET TO GRADE BREAK - LEFT
 STA. 108+55.87 TO STA. 108+79.87 = TRANSITIONS 6'-10" TO 6'-3"
 STA. 108+79.87 TO STA. 109+34.87 = 6'-3" TO 3'-5"

NOTES:

1. SEE JOINTING PLAN SHEETS FOR LOCATIONS OF JOINTS AND TIE BARS.
2. SEE RIGHT OF WAY PLANS FOR EXACT LOCATIONS AND DIMENSIONS.
3. SEE IMPACT ATTENUATOR LAYOUT DETAIL FOR CROSS SLOPE AND CURB TRANSITION.

- LEGEND**
- ① PROPOSED AGGREGATE SUBGRADE IMPROVEMENT, 12"
 - ② PROPOSED AGGREGATE SUBGRADE IMPROVEMENT, 6"
 - ③ PORTLAND CEMENT CONCRETE PAVEMENT, 9" (JOINTED)
 - ④ POLYMERIZED HOT-MIX ASPHALT SURFACE COURSE, MIX "D", N70, 2.25 INCH
 - ⑤ PARKING LOT PAVEMENT
 - ⑥ PORTLAND CEMENT CONCRETE SIDEWALK, 4"
 - ⑦ STAMPED COLORED PCC SIDEWALK, 5"
 - ⑧ PROPOSED TOPSOIL FURNISH AND PLACE, 6"
 - ⑨ SOLDIER PILE RETAINING WALL (SEE WALL PLANS)
 - ⑩ SEGMENTAL CONCRETE BLOCK WALL (SEE WALL PLANS)
 - ⑪ PROPOSED COMBINATION CONCRETE CURB AND GUTTER, TYPE B-6.24
 - ⑫ PROPOSED COMBINATION CONCRETE CURB AND GUTTER, TYPE B-6.12
 - ⑬ PROPOSED COMBINATION CONCRETE CURB AND GUTTER, TYPE M (MODIFIED) (M-2.24)
 - ⑭ GEOTECHNICAL FABRIC FOR GROUND STABILIZATION
 - ⑮ CONCRETE GUTTER, TYPE B
 - ⑯ PIPE UNDERDRAINS, 4"
 - ⑰ STAMPED COLORED PORTLAND CEMENT CONCRETE



PROPOSED TYPICAL SECTION
 STA. 105+67.76 TO STA. 110+00.00

LAYOUT	2/11/14
DRAWN	5/27/15
REVIEWED	5/28/15
DATE	9/8/2015

FILE NAME =	USER NAME =	DESIGNED -	REVISED -
\\pwise_work\do_not_delete\0273754\049\0105-sh-typicol1004.dgn	ander00846	RLA	
PLOT SCALE = 5.0000' / 1"		DRAWN -	REVISED -
		MPB	
PLOT DATE = 9/8/2015		CHECKED -	REVISED -
		MPB	
		DATE -	REVISED -
		9/9/2015	

**STATE OF ILLINOIS
 DEPARTMENT OF TRANSPORTATION**

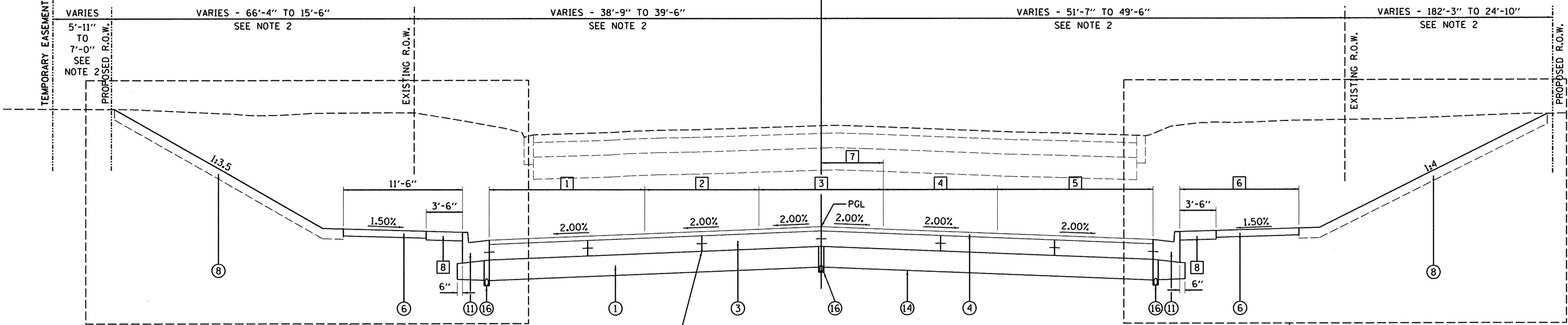
**EAST MAIN STREET
 PROPOSED TYPICAL SECTIONS**

SCALE: N.T.S. SHEET NO. OF SHEETS STA. TO STA.

F.A.U. RTE.	SECTION	COUNTY	TOTAL SHEETS	SHEET NO.
6800	05-00500-19-GS	KNOX	221	9
	50VB		CONTRACT NO.89417	
FED. ROAD DIST. NO.	ILLINOIS FED. AID PROJECT			

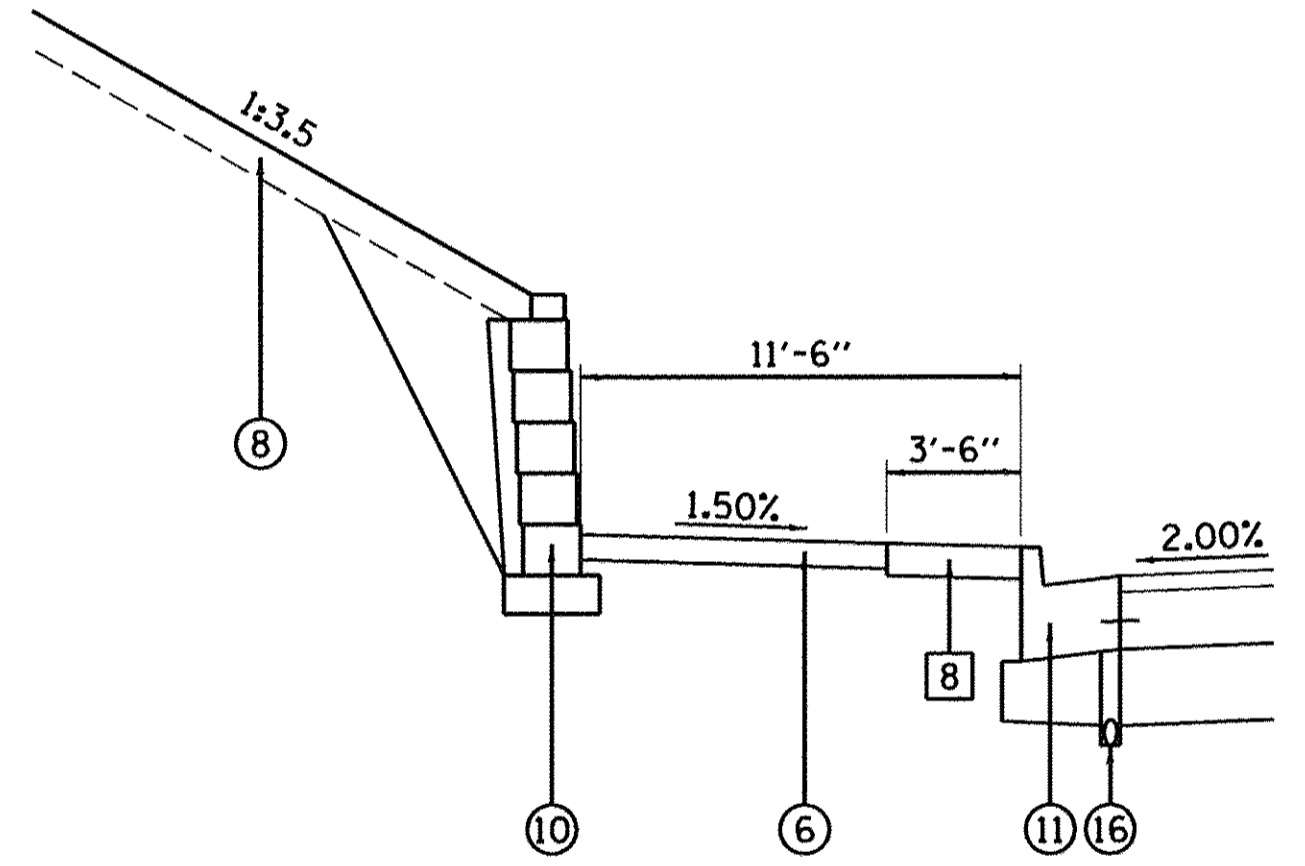
INTERSECTION OMISSION
STA 112+88.47 TO STA 114+00.00

EAST MAIN STREET

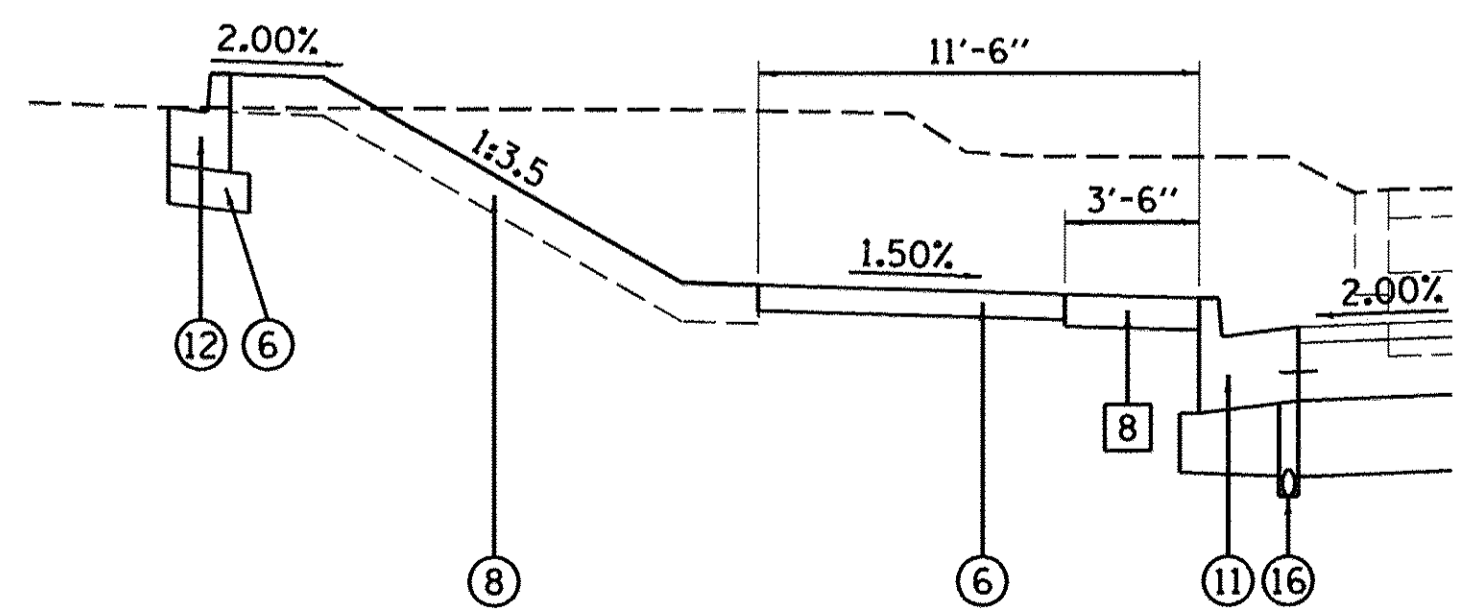


PROPOSED TYPICAL SECTION
STA. 110+00.00 TO STA. 112+88.47

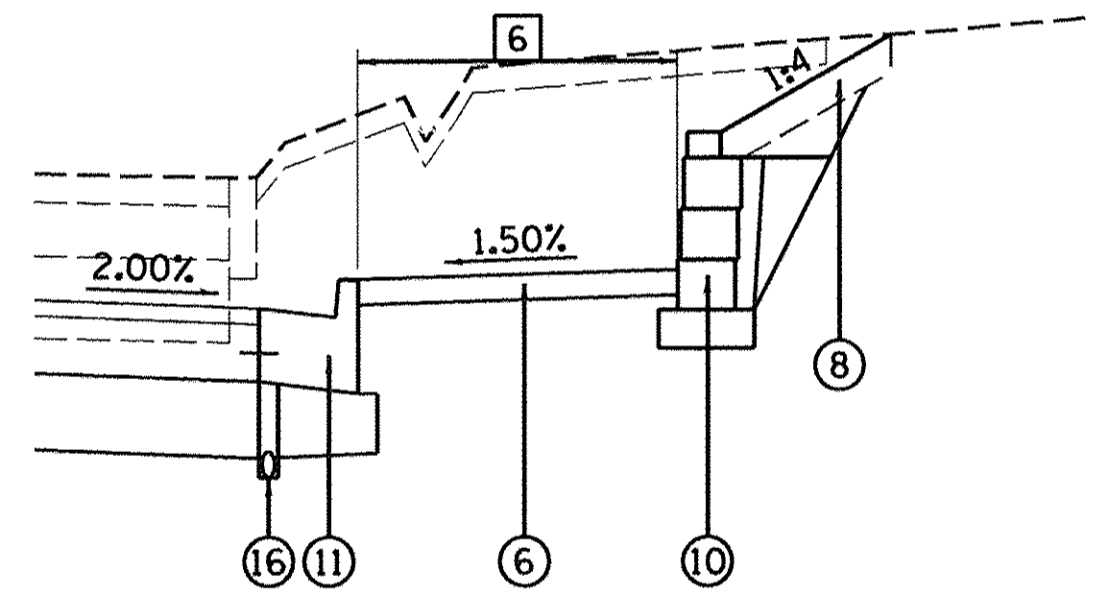
PRELIMINARY
NOT FOR CONSTRUCTION



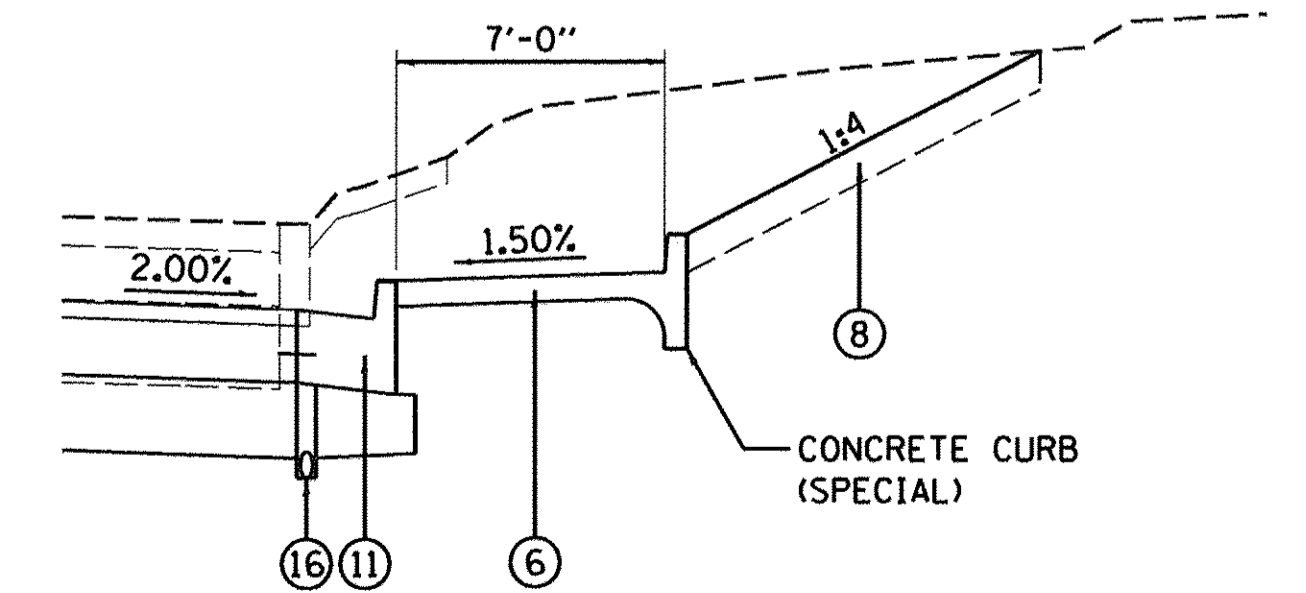
DETAIL A-1
STA. 110+00.00 TO STA. 110+25.00



DETAIL A-2
STA. 111+35.12 TO STA. 112+59.72



DETAIL B-1
STA. 112+18.77 TO STA. 112+48.10



DETAIL B-2
STA. 112+48.10 TO STA. 112+88.47

- 1 LANE WIDTH - LEFT
STA. 110+00.00 TO STA. 112+00.00 = 15'-0"
STA. 112+00.00 TO STA. 112+88.47 = TRANSITIONS FROM 15'-0" TO 13'-6"
- 2 LANE WIDTH - LEFT
STA. 110+00.00 TO STA. 112+00.00 = 11'-0"
STA. 112+00.00 TO STA. 112+88.47 = TRANSITIONS FROM 11'-0" TO 10'-11"
- 3 DUAL LEFT TURN LANE
STA. 110+00.00 TO STA. 112+00.00 = 12'-0"
STA. 112+00.00 TO STA. 112+88.47 = TRANSITIONS FROM 12'-0" TO 11'-0"
- 4 LANE WIDTH - RIGHT
STA. 110+00.00 TO STA. 112+00.00 = 11'-0"
STA. 112+00.00 TO STA. 112+88.47 = TRANSITIONS FROM 11'-0" TO 10'-8"
- 5 LANE WIDTH - RIGHT
STA. 110+00.00 TO STA. 112+00.00 = 15'-0"
STA. 112+00.00 TO STA. 112+88.47 = TRANSITIONS FROM 15'-0" TO 13'-5"
- 6 SIDEWALK - RIGHT
STA. 110+00.00 TO STA. 112+00.00 = 11'-6"
STA. 112+00.00 TO STA. 112+50.00 = TRANSITIONS FROM 11'-6" TO 7'-0"
STA. 112+50.00 TO STA. 112+88.47 = 7'-0"
- 7 BASELINE
STA. 110+00.00 TO STA. 112+00.00 = 6'-0"
STA. 112+00.00 TO STA. 112+88.47 = TRANSITIONS FROM 6'-0" TO 5'-8"
- 8 SIDEWALK TYPE - LEFT/RIGHT
STA. 110+00.00 TO STA. 111+55.76 = 7
STA. 111+55.76 TO STA. 112+88.47 = 6

NOTES:
1. SEE JOINTING PLAN SHEETS FOR LOCATIONS OF JOINTS AND TIE BARS.
2. SEE RIGHT OF WAY PLANS FOR EXACT LOCATIONS AND DIMENSIONS.

LEGEND

- 1 PROPOSED AGGREGATE SUBGRADE IMPROVEMENT, 12"
- 2 PROPOSED AGGREGATE SUBGRADE IMPROVEMENT, 6"
- 3 PORTLAND CEMENT CONCRETE PAVEMENT, 9" (JOINTED)
- 4 POLYMERIZED HOT-MIX ASPHALT SURFACE COURSE, MIX "D", N70, 2.25 INCH
- 5 PARKING LOT PAVEMENT
- 6 PORTLAND CEMENT CONCRETE SIDEWALK, 4"
- 7 STAMPED COLORED PCC SIDEWALK, 5"
- 8 PROPOSED TOPSOIL FURNISH AND PLACE, 6"
- 9 SOLDIER PILE RETAINING WALL (SEE WALL PLANS)
- 10 SEGMENTAL CONCRETE BLOCK WALL (SEE WALL PLANS)
- 11 PROPOSED COMBINATION CONCRETE CURB AND GUTTER, TYPE B-6.24
- 12 PROPOSED COMBINATION CONCRETE CURB AND GUTTER, TYPE B-6.12
- 13 PROPOSED COMBINATION CONCRETE CURB AND GUTTER, TYPE M (MODIFIED) (M-2.24)
- 14 GEOTECHNICAL FABRIC FOR GROUND STABILIZATION
- 15 CONCRETE GUTTER, TYPE B
- 16 PIPE UNDERDRAINS, 4"

HANSON
Hanson Professional Services Inc.

LAYOUT	2/11/14
DRAWN	RLA
REVIEWED	MPB

FILE NAME =	USER NAME = nder-00846	DESIGNED - RLA	REVISED -
PROJECT WORK\do_not_delete\0273754\049L0105-shr-typical1005.dgn		DRAWN - RLA	REVISED -
PLOT SCALE = 5.0000' / in.		CHECKED - MPB	REVISED -
PLOT DATE = 9/9/2015		DATE - 9/9/2015	REVISED -

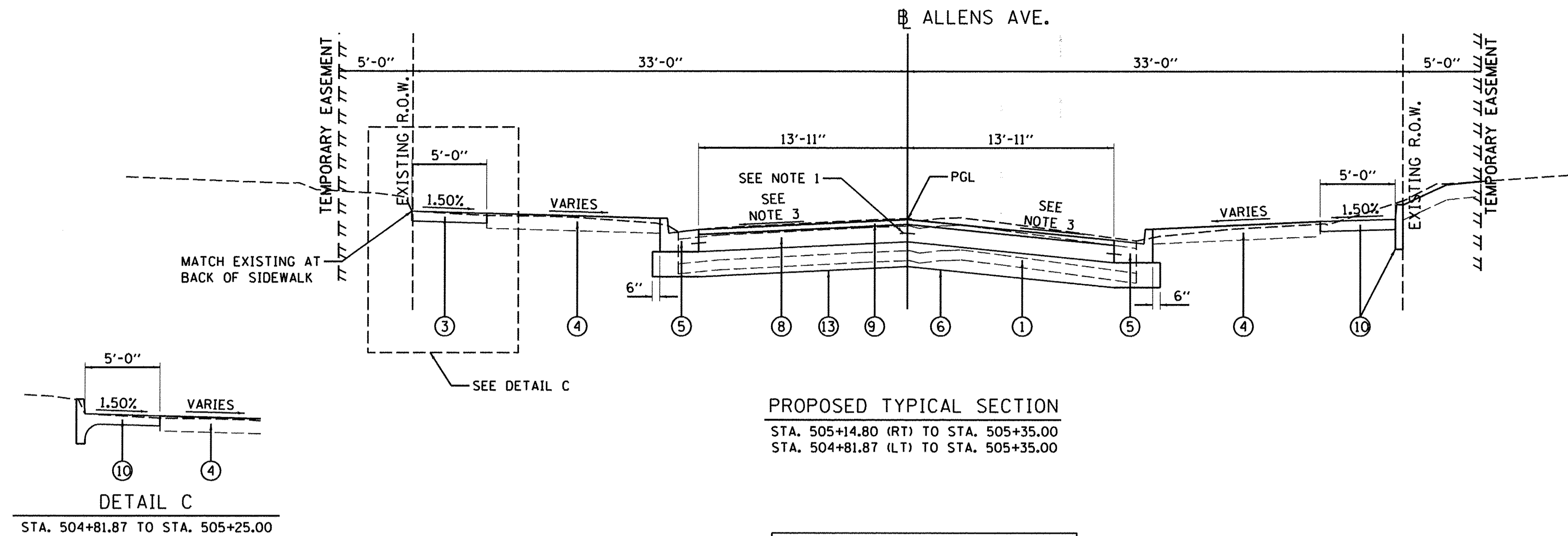
STATE OF ILLINOIS
DEPARTMENT OF TRANSPORTATION

EAST MAIN STREET PROPOSED TYPICAL SECTIONS				F.A.J. RTE. 6800	SECTION 05-00500-19-GS	COUNTY KNOX	TOTAL SHEETS 221	SHEET NO. 10
SCALE: N.T.S.				SHEET NO. OF SHEETS		STA. TO STA.		FED. ROAD DIST. NO. ILLINOIS FED. AID PROJECT
				50VB		CONTRACT NO.89417		

LEGEND

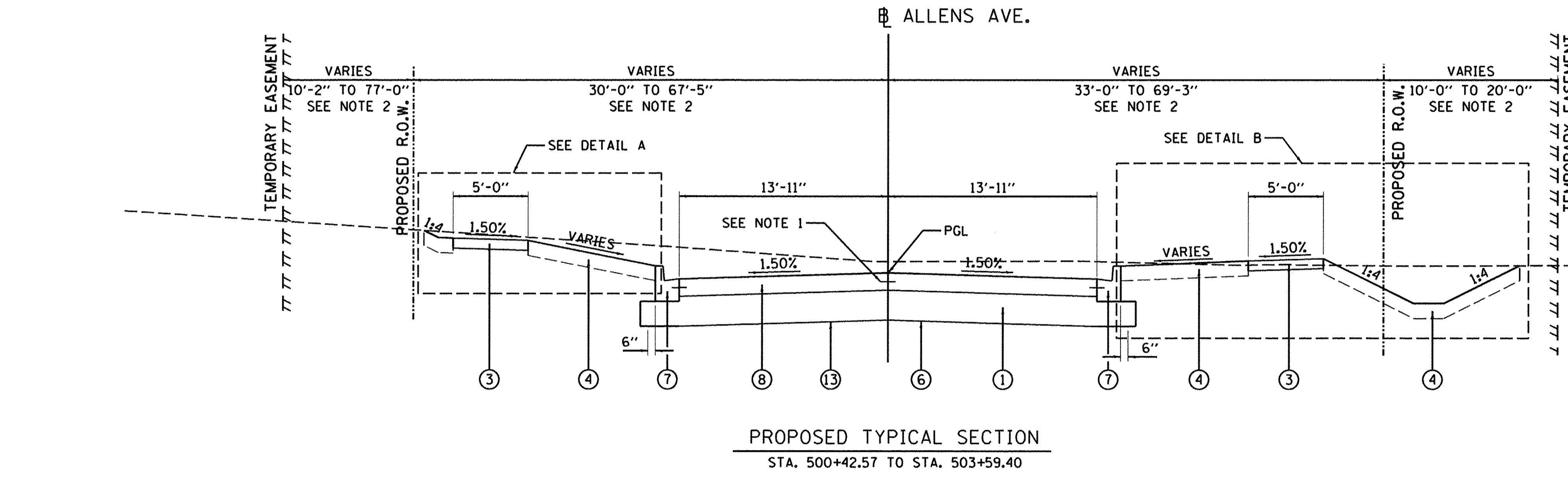
- ① PROPOSED AGGREGATE SUBGRADE IMPROVEMENT, 12"
- ② PORTLAND CEMENT CONCRETE PAVEMENT, 9" (JOINTED)
- ③ PORTLAND CEMENT CONCRETE SIDEWALK, 4"
- ④ PROPOSED TOPSOIL FURNISH AND PLACE, 6"
- ⑤ PROPOSED COMBINATION CONCRETE CURB AND GUTTER, TYPE B-6.24
- ⑥ GEOTECHNICAL FABRIC FOR GROUND STABILIZATION
- ⑦ PROPOSED COMBINATION CONCRETE CURB AND GUTTER, TYPE B-6.12
- ⑧ PORTLAND CEMENT CONCRETE PAVEMENT, 7" (JOINTED)
- ⑨ POLYMERIZED HOT-MIX ASPHALT SURFACE COURSE, MIX "D", N70, 2.25 INCH
- ⑩ COMBINATION CONCRETE CURB AND SIDEWALK, 4 INCH (SPECIAL)

- NOTES:**
1. SEE JOINTING PLAN SHEETS FOR LOCATIONS OF JOINTS AND TIE BARS.
 2. SEE RIGHT OF WAY PLANS FOR EXACT LOCATIONS AND DIMENSIONS.
 3. SEE INTERSECTION DETAIL SHEETS FOR CROSS SLOPES ON ROADS AND SIDEWALKS.

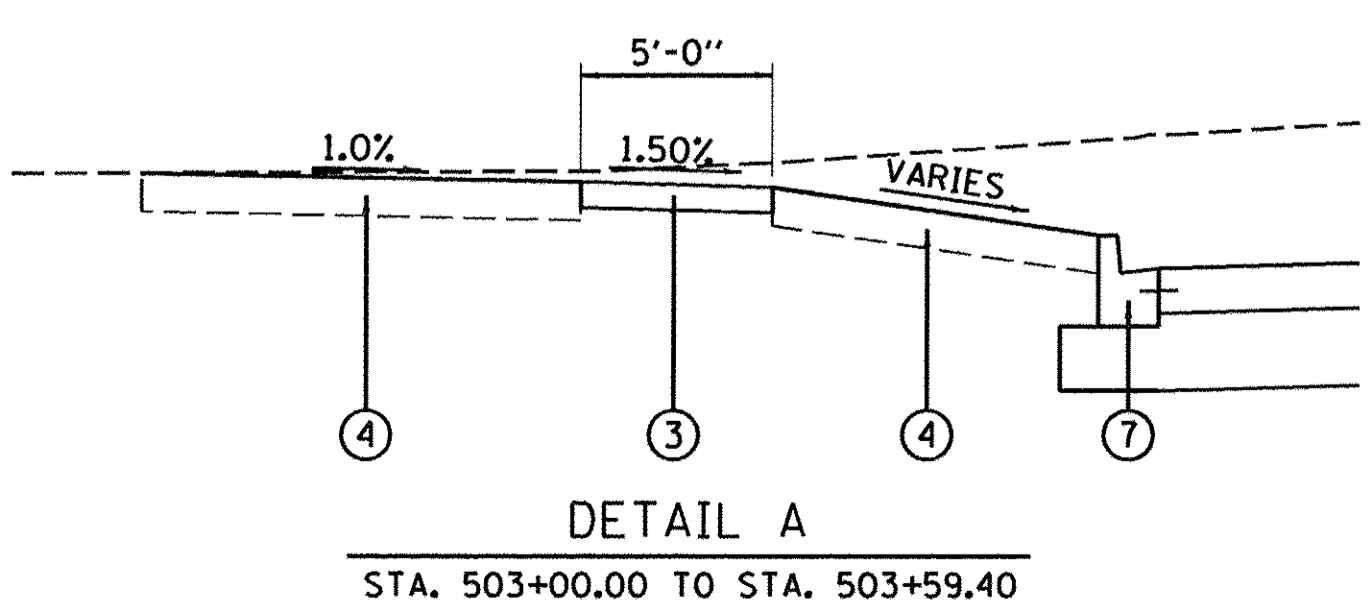


PROPOSED TYPICAL SECTION
 STA. 505+14.80 (RT) TO STA. 505+35.00
 STA. 504+81.87 (LT) TO STA. 505+35.00

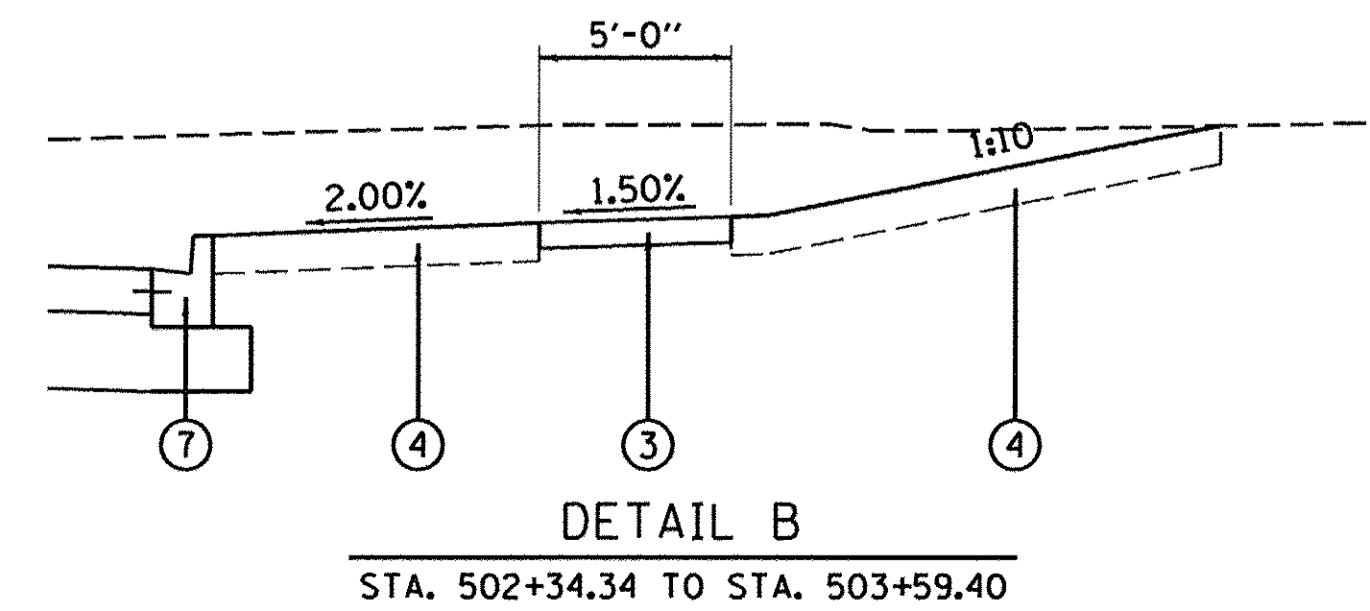
INTERSECTION OMISSION
 STA 503+59.40 TO STA 504+81.87



PROPOSED TYPICAL SECTION
 STA. 500+42.57 TO STA. 503+59.40



DETAIL A
 STA. 503+00.00 TO STA. 503+59.40



DETAIL B
 STA. 502+34.34 TO STA. 503+59.40

PRELIMINARY
 NOT FOR CONSTRUCTION

LAYOUT	RLA	2/11/14
DRAWN	RLA	5/27/15
REVIEWED	MPB	5/28/15

FILE NAME =	USER NAME = ender@0846
ct:\pwise_work\do_not_delete\0273754\049\0105-shr-typical007.dgn	
PLOT SCALE = 5.0000 "/td> <td></td>	
PLOT DATE = 9/8/2015	

DESIGNED - RLA	REVISED -
DRAWN - RLA	REVISED -
CHECKED - MPB	REVISED -
DATE - 9/9/2015	REVISED -

STATE OF ILLINOIS
DEPARTMENT OF TRANSPORTATION

ALLENS AVENUE			
PROPOSED TYPICAL SECTIONS			
SCALE: N.T.S.	SHEET NO.	OF SHEETS	STA. TO STA.

F.A.U. RTE.	SECTION	COUNTY	TOTAL SHEETS	SHEET NO.
6800	05-00500-19-GS	KNOX	221	12
50VB		CONTRACT NO.89417		
FED. ROAD DIST. NO.		ILLINOIS FED. AID PROJECT		



© Copyright Hanson Professional Services Inc. 2015
 Hanson Professional Services Inc.
 LAYOUT RLA 2/11/14
 DRAWN MGD 5/27/15
 REVIEWED MPB 5/29/15
 Project: Documents\98Jobs\985_005_CAD\Phase11\Road\Sheet\005-ah-t-schedule01.dwg

REMOVAL SCHEDULE											
LOCATION		40600982 HOT-MIX ASPHALT SURFACE REMOVAL - BUTT JOINT	44000100 PAVEMENT REMOVAL	44000200 DRIVEWAY PAVEMENT REMOVAL	44000300 CURB REMOVAL	44000500 COMBINATON CURB AND GUTTER REMOVAL	44000600 SIDEWALK REMOVAL	78300100 PAVEMENT MARKING REMOVAL	X0326864 BRICK SIDEWALK REMOVAL	X4401198 HOT-MIX ASPHALT SURFACE REMOVAL, VARIABLE DEPTH	Z0022800 FENCE REMOVAL
BEGIN STATION	END STATION	SQ YD	SQ YD	SQ YD	FOOT	FOOT	SQ FT	SQ FT	SQ FT	SQ YD	FOOT
EAST MAIN STREET											
98+00.00	104+00.00	252	1,657	253	169	530	3,216	542		1,381	
104+00.00	110+00.00	0	4,989	1,009	74	1,315	5,576		461		99
110+00.00	114+20.00	159	3,678	677	131	1,377	3,837		996	395	
CHAMBERS STREET											
404+50.00	407+00.00	80	74	50	28	123	413	229		166	
TOTAL		491	10,398	1,989	402	3,345	13,042	771	1,457	1,942	99

TOPSOIL, SEEDING, SODDING & FERILIZER NUTRIENTS											
LOCATION		21101625 TOPSOIL FURNISH AND PLACE, 6"	25000100 SEEDING, CLASS 1	25000400 NITROGEN FERTILIZER NUTRIENT	25000500 PHOSPHOROUS FERTILIZER NUTRIENT	25000600 POTASSIUM FERTILIZER NUTRIENT	25100115 MULCH, METHOD 2	25200100 SODDING	25200110 SODDING, SALT TOLERANT	25200200 SUPPLEMENTAL WATERING	28000250 TEMPORARY EROSION CONTROL SEEDING
BEGIN STATION	END STATION	SQ YD	ACRE	POUND	POUND	POUND	ACRE	SQ YD	SQ YD	UNIT	POUND
EAST MAIN STREET											
101+25.00	106+50.00	5,670	0.60	88	88	88	0.60	2,701	49	41.2	117
105+00.00	112+50.00	16,964	2.20	274	274	274	2.20	6,401	270	100.1	350
112+50.00	114+20.00	128		2	2	2			128	1.9	3
CHAMBERS STREET											
402+24.95	402+88.58	2							2		
404+22.54	405+31.38	64		1	1	1			64	1.0	1
PEARL STREET											
200+93.72	202+68.48	427		5	5	5			427	6.4	9
ALLENS AVENUE											
500+00.00	503+59.40	2,645	0.45	46	46	46	0.45	523	7.8	7.8	55
504+81.87	505+35.00	174		2	2	2			174	2.6	4
TOTAL		26,074	3.25	418	418	418	3.25	9,102	1,637	161	539

EARTHWORK SUMMARY							
LOCATION		XX001286 SPECIAL EXCAVATION	EXCAVATION TO BE USED IN EMBANKMENT ADJUSTED FOR 25% SHRINKAGE	EMBANKMENT	EARTHWORK BALANCE WASTE (+) OR SHORTAGE (-)	20700220 POROUS GRANULAR EMBANKMENT	20201200 REMOVAL AND DISPOSAL OF UNSUITABLE MATERIAL
		CU YD	CU YD	CU YD	CU YD	CU YD	CU YD
ALLEY TO MAIN							
102+00.00	102+50.00	21	16	22	-6	0	0
102+64.00	114+00.00	66830	50123	600	49523	0	0
CHAMBERS STREET							
402+44.95	403+00.00	22	17	7	10	0	0
404+22.54	405+11.39	126	95	1	94	0	0
ALLENS AVENUE							
500+42.57	503+59.40	1897	1423	10	1413	0	0
504+81.87	505+43.58	106	80	0	80	0	0
PEARL STREET							
201+00.00	202+68.48	192	144	48	96	0	0
OPEN LOT RESTORATION AREAS							
106+06.95 TO 108+05.16 LEFT (6" DEPTH)		183	137	0	137	0	0
104+05.53 TO 106+06.83 RIGHT (6" DEPTH)		402	302	0	302	0	0
107+24.43 TO 112+06.28 RIGHT (6" DEPTH)		1607	1205	0	1205	0	0
CONTINGENCY		0	0	0	0	1000	1000
TOTAL		71386	53542	688	52854	1000	1000

NOTE: STRUCTURAL EXCAVATION VOLUME HAS BEEN EXCLUDED FROM THE SPECIAL EXCAVATION QUANTITY. SEE BRIDGE PLANS FOR THIS QUANTITY.

PERIMETER EROSION BARRIER SCHEDULE			
LOCATION			28000400 PERIMETER EROSION BARRIER
BEGIN STATION	END STATION	LT/RT	FEET
EAST MAIN STREET			
103+85.81	106+50.00	RT	263.5
104+90.01	106+50.00	LT	162
106+50.00	107+65.46	LT	117
106+50.00	106+80.36	RT	36.5
107+98.25	111+60.75	RT	372
108+82.85	112+50.00	LT	369
112+50.00	112+69.40	LT	19
TOTAL			1,339

TREE REMOVAL SCHEDULE				
LOCATION		20100110 TREE REMOVAL (6 TO 15 UNITS DIAMETER)	20100210 TREE REMOVAL (OVER 15 UNITS DIAMETER)	
STATION	OFFSET	LT/RT	UNITS	UNITS
EAST MAIN STREET				
105+93.44	57.19	LT		17
106+00.36	91.08	LT		17
106+00.65	76.96	LT		18
106+01.21	70.11	LT	6	
106+01.31	62.46	LT	6	
ALLENS AVENUE				
504+98.48	23.82	LT	14	
SUMNER CUL-DE-SAC				
			12	
TOTAL			38	52

LIGHTING AND FOUNDATION REMOVAL SCHEDULE						
LOCATION			84200600 REMOVAL OF LIGHTING UNIT, NO SALVAGE	89502385 REMOVE EXISTING CONCRETE FOUNDATION	X5011100 FOUNDATION REMOVAL	XX007531 RELOCATE EXISTING LIGHT POLE ONTO NEW FOUNDATION
STATION	OFFSET	LT/RT	EACH	EACH	EACH	EACH
EAST MAIN STREET						
101+96.79	40.25	RT				1
101+98.01	35.00	LT				1
102+10.41	48.45	LT		1		
102+79.19	37.74	LT	1			
102+81.31	89.53	LT		1		
103+28.22	44.48	LT		1		
104+01.96	42.85	RT	1			
104+76.33	30.31	LT	1			
105+70.66	46.05	RT	1			
106+81.10	28.80	LT	1			
109+20.00	65.00	LT			1	
110+51.35	33.96	RT	1			
111+83.34	32.99	RT	1			
TOTAL			7	3	1	2

INLET AND MANHOLE REMOVAL AND ADJUSTMENT SCHEDULE							
LOCATION			60255800 MANHOLES TO BE ADJUSTED WITH NEW TYPE 1 FRAME, CLOSED LID	60500040 REMOVING MANHOLES	60500060 REMOVING INLETS	X6026054 SANITARY MANHOLES TO BE REMOVED	X6026056 SANITARY MANHOLES TO BE ADJUSTED WITH NEW TYPE 1 FRAME, CLOSED LID
STATION	OFFSET	LT/RT	EACH	EACH	EACH	EACH	EACH
EAST MAIN STREET							
102+84.28	40.48	RT			1		
105+26.78	18.08	LT		1			
106+53.06	33.41	RT				1	
107+34.06	25.28	LT		1			
107+53.64	113.33	LT			1		
107+65.44	115.72	LT		1			
107+71.35	180.05	LT					1
107+87.24	111.42	LT			1		
108+01.13	15.28	RT				1	
108+49.21	19.76	LT		1			
109+81.24	28.92	RT		1			
109+81.46	32.18	RT			1		
110+77.29	31.03	LT			1		
110+82.44	21.71	LT		1			
110+98.31	26.06	LT		1			
111+03.92	13.26	RT				1	
111+20.58	59.13	LT			1		
111+22.24	22.87	RT		1			
113+28.99	29.74	LT			1		
113+42.67	12.17	RT					1
113+56.42	21.66	RT		1			
113+86.81	12.20	RT					1
CHAMBERS STREET							
402+84.11	14.34	LT	1				
402+93.41	23.04	RT			1		
402+93.77	14.68	RT					1
402+93.92	0.87	LT					1
402+99.40	25.45	LT			1		
403+22.60	38.42	RT					1
403+23.23	11.90	RT					1
403+65.78	7.58	RT					1
403+71.51	0.52	LT					1
403+79.28	39.27	RT					1
403+79.90	11.26	LT					1
403+87.49	34.60	RT			1		
403+88.37	11.02	LT		1			
ALLENS AVENUE							
501+38.70	20.40	RT				1	
502+19.29	33.39	LT					1
502+43.78	16.30	LT				1	
502+52.50	29.17	LT				1	
505+00.30	15.14	RT				1	
505+01.59	15.42	LT				1	
TOTAL			1	11	12	6	11

© Copyright Hanson Professional Services Inc. 2015
HANSON
 Hanson Professional Services Inc.

PAVEMENT PATCHING SCHEDULE					
LOCATION		44201329	44201333	44201335	44201747
		CLASS C PATCHES, TYPE II, 8 INCH	CLASS C PATCHES, TYPE III, 8 INCH	CLASS C PATCHES, TYPE IV, 8 INCH	CLASS D PATCHES, TYPE IV, 8 INCH
BEGIN STATION	END STATION	SQ YD	SQ YD	SQ YD	SQ YD
EAST MAIN STREET					
101+25.00	105+00.00	14	16	139.5	
105+00.00	111+00.00				
111+00.00	114+20.00				188
114+20.00	119+00.00				
CHAMBERS STREET					
402+24.95	402+88.58				
404+22.54	405+31.38	12			
PEARL STREET					
200+93.72	202+68.48	12	19	38.5	
ALLENS AVENUE					
500+00.00	503+59.40				
504+81.87	505+35.00				
SUMNER CUL-DE-SAC					
TOTAL		38	35	178	188

SANITARY SEWER SCHEDULE					
LOCATION			X6022810	#4002202	
			MANHOLES, SANITARY, 4'-DIAMETER, TYPE 1 FRAME, CLOSED LID EACH	MANHOLE, ADDITIONAL DEPTH, 4' DIA. EACH	
STATION	OFFSET	LT/RT	EACH	EACH	
EAST MAIN STREET					
112+00.00	12.74	RT	1		
PEARL STREET					
201+58.00	25.91	LT	1		
202+00.00	25.91	LT	1	1.35	
ALLENS AVENUE					
502+20.00	21.00	LT	1		
502+52.50	29.17	LT	1	3.10	
504+30.84	26.54	LT	1	2.40	
504+31.00	4.13	LT	1	2.40	
SUMNER STREET					
TOTAL			7	9.25	

SANITARY SEWER SERVICE SCHEDULE		
ADDRESS	X0323760	X0324878
	SANITARY SEWER SERVICE, 6" PVC, COMPLETE EACH	ADJUSTING SANITARY SEWER SERVICE LINE EACH
571 E. MAIN ST.	1	
723 E. MAIN ST.		1
759 E. MAIN ST.		1
34 N. PEARL ST.		1
46 N. PEARL ST.		1
58 N. PEARL ST.		1
91 N. PEARL ST.		1
TOTAL	1	6

INLET FILTER SCHEDULE				
LOCATION				28000510
STATION	OFFSET	LT/RT		INLET FILTERS EACH
EAST MAIN STREET				
103+27.50	49.76	LT		1
103+84.23	50.81	RT		1
104+99.93	48.56	LT		1
104+99.93	34.06	LT		1
105+00.00	33.11	RT		1
106+24.96	33.58	LT		1
106+25.00	34.58	RT		1
107+00.00	33.58	LT		1
107+00.00	34.58	RT		1
107+50.00	34.58	LT		1
107+50.00	34.58	RT		1
107+65.30	129.22	LT		1
108+00.00	34.58	LT		1
108+00.00	34.58	RT		1
108+50.00	34.58	LT		1
108+50.00	34.58	RT		1
109+00.00	33.58	LT		1
109+00.00	34.58	RT		1
109+74.96	33.58	LT		1
109+75.00	34.58	RT		1
110+99.96	33.58	LT		1
111+00.00	34.58	RT		1
111+61.76	50.00	RT		1
112+58.72	59.80	LT		1
PEARL STREET				
200+97.68	12.89	RT		1
200+97.71	13.44	LT		1
CHAMBERS STREET				
402+91.50	21.39	RT		1
403+11.73	34.47	LT		1
404+48.22	23.55	RT		1
404+58.37	17.73	LT		1
404+58.37	23.39	LT		1
ALLENS AVENUE				
500+50.00	14.50	RT		1
500+88.00	14.50	LT		1
500+88.00	15.50	RT		1
501+70.00	14.50	LT		1
501+85.00	15.50	RT		1
502+00.00	35.00	RT		1
502+60.00	14.50	LT		1
502+60.00	15.50	RT		1
503+12.50	14.50	LT		1
503+12.50	15.50	RT		1
503+65.84	16.96	RT		1
503+70.18	18.13	LT		1
504+81.77	16.50	LT		1
504+95.18	16.65	RT		1
TOTAL				45

WATER MAIN STRUCTURE SCHEDULE						
LOCATION			56104900	56105200	56108800	56400600
			WATER VALVES 6" EACH	WATER VALVES 12" EACH	TAPPING VALVES AND SLEEVES 6" EACH	FIRE HYDRANTS EACH
STATION	OFFSET	LT/RT				
EAST MAIN STREET						
107+75.58	129.54	LT	1			1
111+36.95	52.82	RT	1			1
113+51.15	41.83	RT		1		
PEARL STREET						
200+99.07	15.26	LT	1			1
CHAMBERS STREET						
404+68.93	12.75	RT			1	
404+69.03	24.18	RT				1
ALLENS AVENUE						
503+55.05	32.68	RT	1			1
WATER MAIN ALIGNMENT						
0+15.82				1		
5+69.89				1		
5+69.89			1			
8+67.90				1		
8+67.90			1			
11+10.59				1		
TOTAL			6	4	2	5

MISCELLANEOUS CONCRETE SCHEDULE					
LOCATION		XX000300	XX002090	XX006898	XX008257
		CONCRETE STEPS SQ FT	STAIR SIDE RAILING FOOT	STAMPED COLORED PORTLAND CEMENT CONCRETE SQ FT	STAMPED COLORED PORTLAND CEMENT CONCRETE SIDEWALK, 5 INCH SQ FT
BEGIN STATION	END STATION				
EAST MAIN STREET					
101+25.00	105+00.00	9			1,256
105+00.00	111+00.00			553	3,421
111+00.00	114+20.00	130	29		390
TOTAL		139	29	553	5,067

IMPACT ATTENUATOR SCHEDULE				
LOCATION				64300240
STATION	OFFSET	LT/RT		IMPACT ATTENUATORS (FULLY REDIRECTIVE, NARROW), TEST LEVEL 2 EACH
EAST MAIN STREET				
107+00.00	38.00	RT		1
108+65.00	38.00	LT		1
TOTAL				2

TEMPORARY DITCH CHECKS				
LOCATION				28000305
STATION	OFFSET	LT/RT		TEMPORARY DITCH CHECKS FOOT
EAST MAIN STREET				
111+21.41	142.01	RT		10
111+34.16	129.31	RT		10
111+46.92	116.61	RT		10
111+57.75	102.39	RT		10
111+61.68	84.97	RT		10
111+61.71	72.47	RT		10
111+61.73	59.97	RT		10
ALLENS AVENUE				
501+19.73	34.31	RT		10
501+76.89	32.41	RT		10
TOTAL				90

WATER MAIN AND SANITARY SEWER SCHEDULE							
LOCATION			56100600	56100900	Z0056900	Z0057100	Z0067900
			WATER MAIN 6" FOOT	WATER MAIN 12" FOOT	SANITARY SEWER 8" FOOT	SANITARY SEWER 12" FOOT	STEEL CASINGS 24" FOOT
BEGIN STATION	END STATION	LT/RT					
EAST MAIN STREET							
0+00.00	6+00.00	LT	24	602			51
6+00.00	12+00.00	LT	276	508			107
111+60.00	112+00.00	RT			67		
PEARL STREET							
201+58.00	202+00.00	LT			42		
202+00.00	502+20.00	LT			252.5		
ALLENS AVENUE							
502+20.00	502+52.50	LT			41.5		
504+30.84	502+52.50	LT				22.5	
504+31.00	504+30.84	LT				188.5	
TOTAL			300	1,110	403	211	158

LAYOUT	RLA	2/11/14
DRAWN	MGD	5/27/15
REVIEWED	MPB	5/28/15

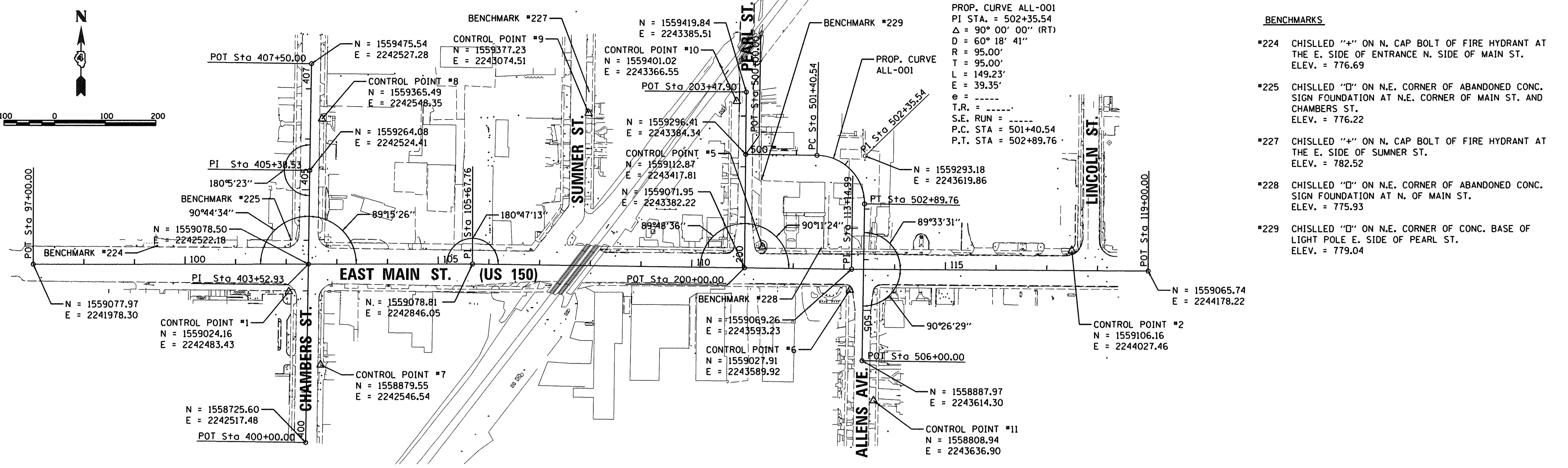
FILE NAME = \\pwise_work\do_not_delete\0273754\489\10105-shit-schedule003.dgn
 USER NAME = dawso00078
 PLOT SCALE = 5.0000' / 1" IN.
 PLOT DATE = 9/8/2015
 DESIGNED - RLA
 DRAWN - MGD
 CHECKED - MPB
 DATE - 9/9/2015
 REVISED -
 REVISED -
 REVISED -
 REVISED -

**STATE OF ILLINOIS
 DEPARTMENT OF TRANSPORTATION**

**EAST MAIN STREET
 SCHEDULE OF QUANTITIES**

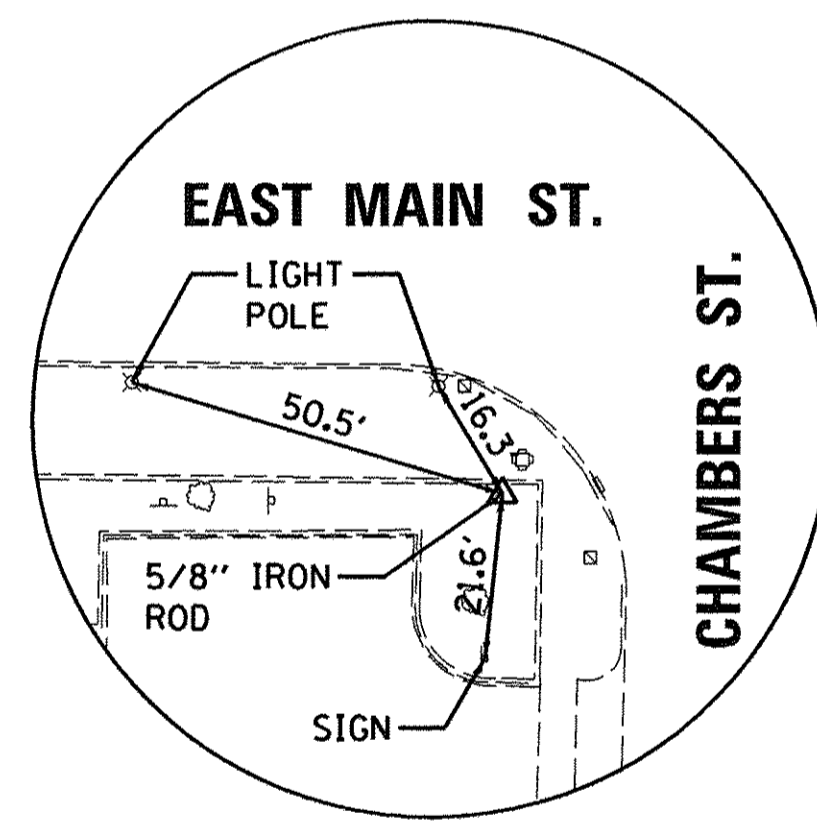
SCALE: SHEET NO. OF SHEETS STA. TO STA.

F.A.U. RTE.	SECTION	COUNTY	TOTAL SHEETS	SHEET NO.
6800	05-00500-19-GS	KNOX	221	15
50VB		CONTRACT NO.89417		
FED. ROAD DIST. NO.		ILLINOIS FED. AID PROJECT		

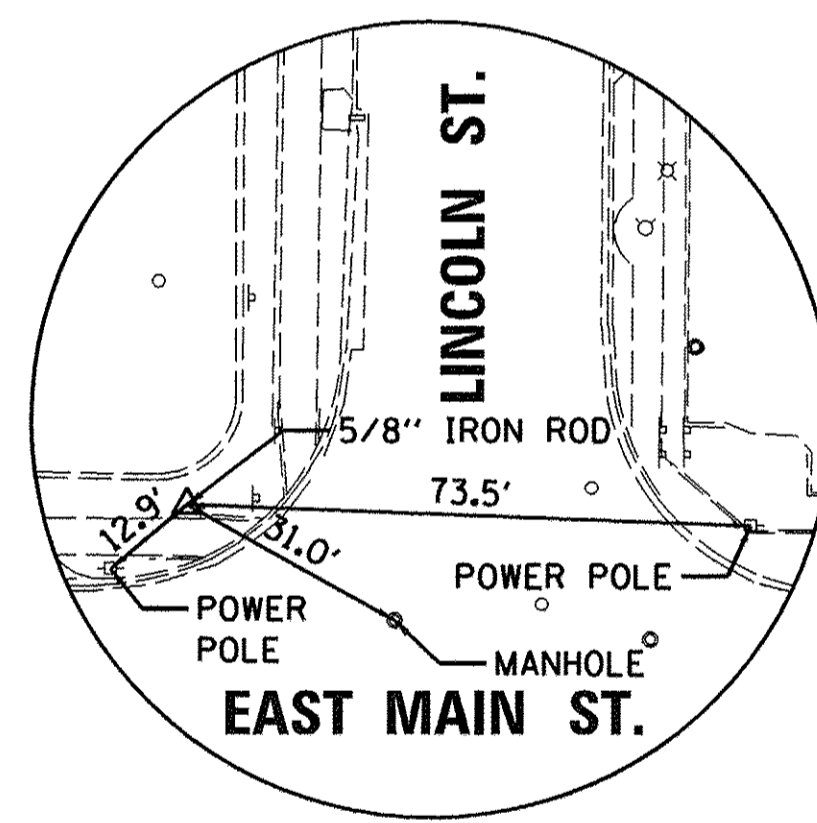


PROP. CURVE ALL-001
 PI STA. = 502+35.54
 $\Delta = 90^\circ 00' 00''$ (RT)
 $D = 60^\circ 18' 41''$
 $R = 95.00'$
 $T = 95.00'$
 $L = 149.23'$
 $E = 39.35'$
 $e = \dots$
 $T.R. = \dots$
 $S.E. RUN = \dots$
 $P.C. STA = 501+40.54$
 $P.T. STA = 502+89.76$

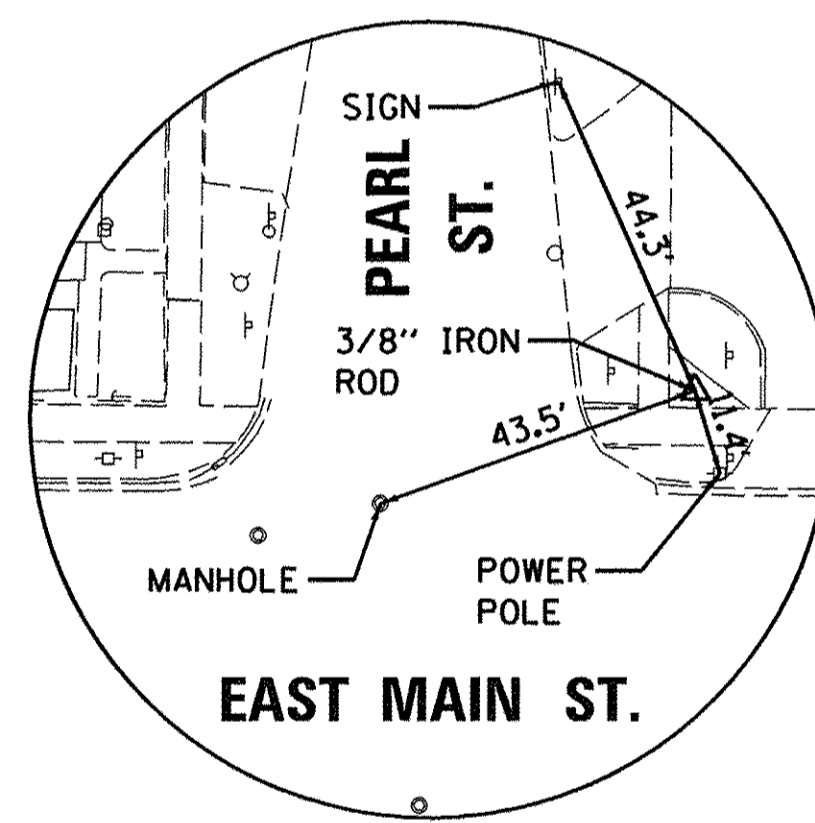
- BENCHMARKS**
- #224 CHISLLED "+" ON N. CAP BOLT OF FIRE HYDRANT AT THE E. SIDE OF ENTRANCE N. SIDE OF MAIN ST. ELEV. = 776.69
 - #225 CHISLLED "D" ON N.E. CORNER OF ABANDONED CONC. SIGN FOUNDATION AT N.E. CORNER OF MAIN ST. AND CHAMBERS ST. ELEV. = 776.22
 - #227 CHISLLED "+" ON N. CAP BOLT OF FIRE HYDRANT AT THE E. SIDE OF SUMNER ST. ELEV. = 782.52
 - #228 CHISLLED "D" ON N.E. CORNER OF ABANDONED CONC. SIGN FOUNDATION AT N. OF MAIN ST. ELEV. = 775.93
 - #229 CHISLLED "D" ON N.E. CORNER OF CONC. BASE OF LIGHT POLE E. SIDE OF PEARL ST. ELEV. = 779.04



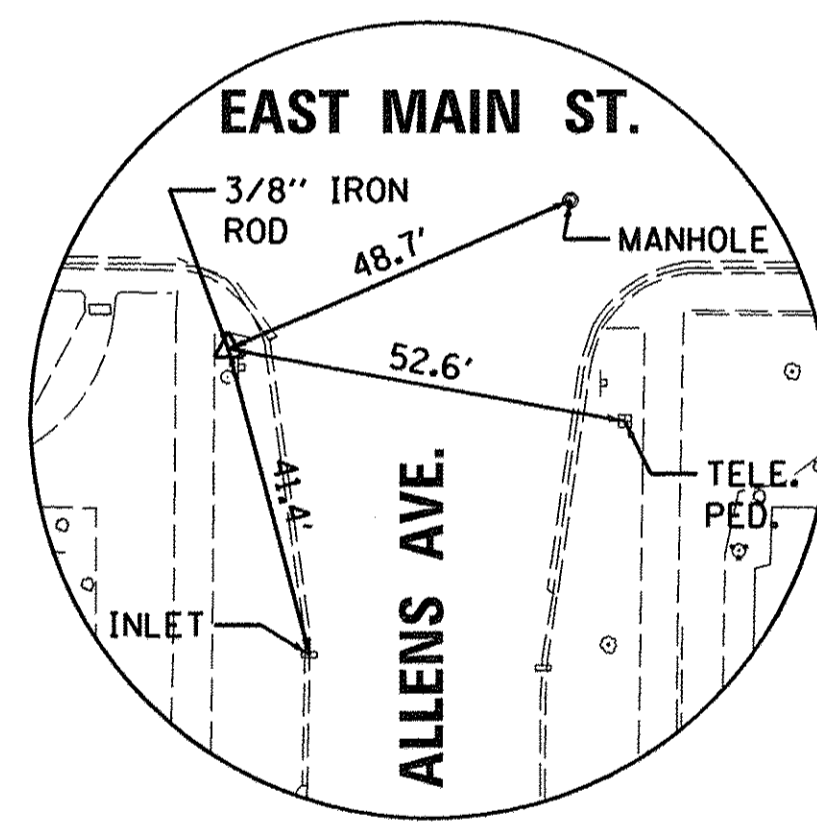
CONTROL POINT #1
5/8" IRON ROD



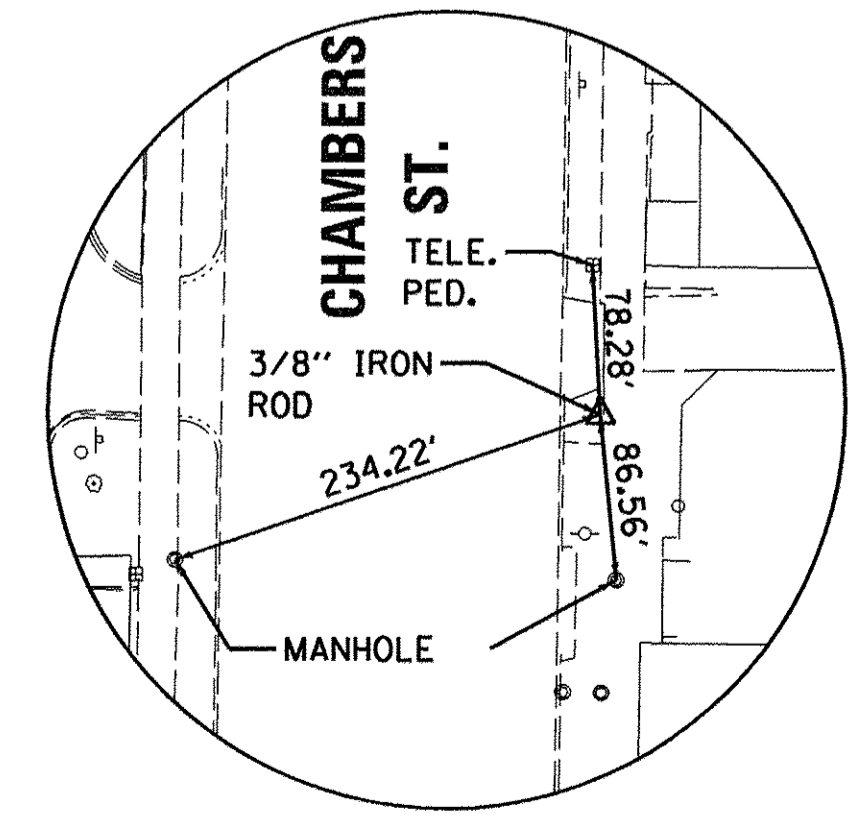
CONTROL POINT #2
5/8" IRON ROD



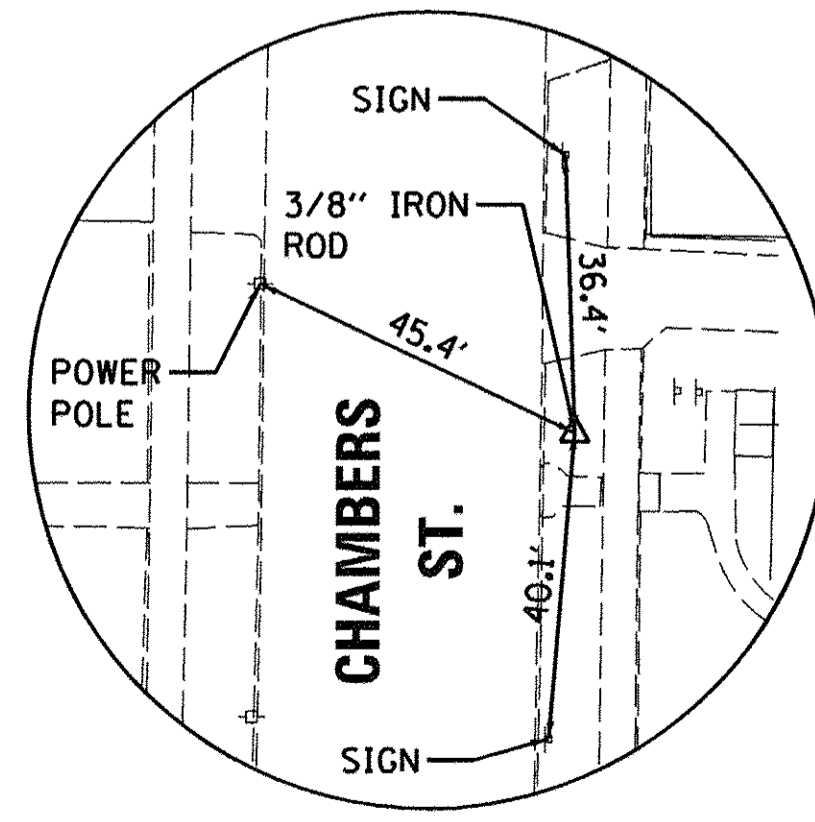
CONTROL POINT #5
3/8" IRON ROD



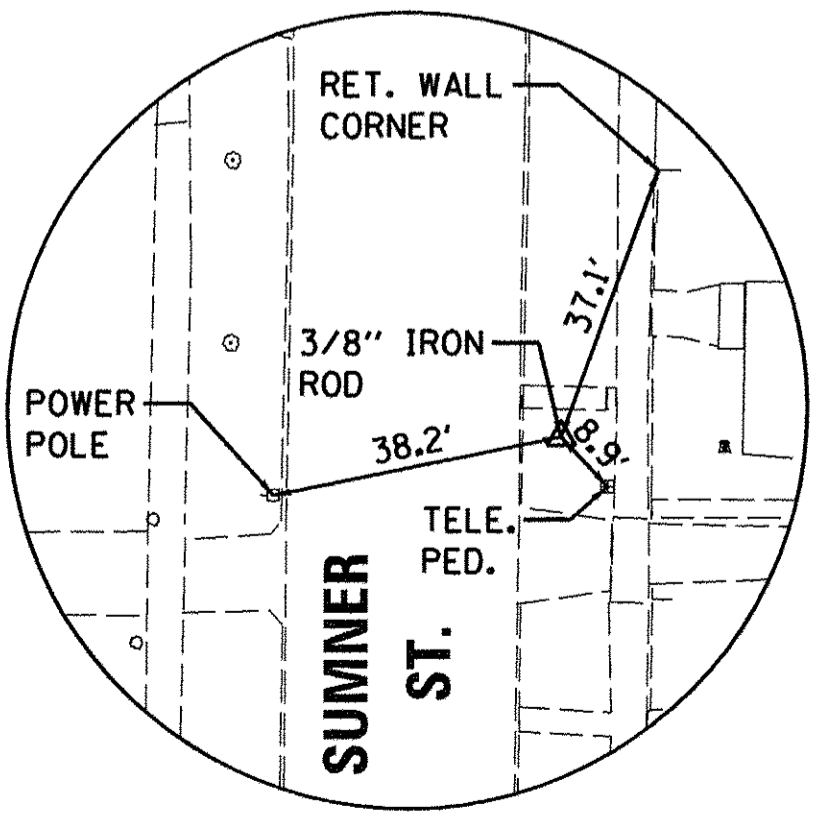
CONTROL POINT #6
3/8" IRON ROD



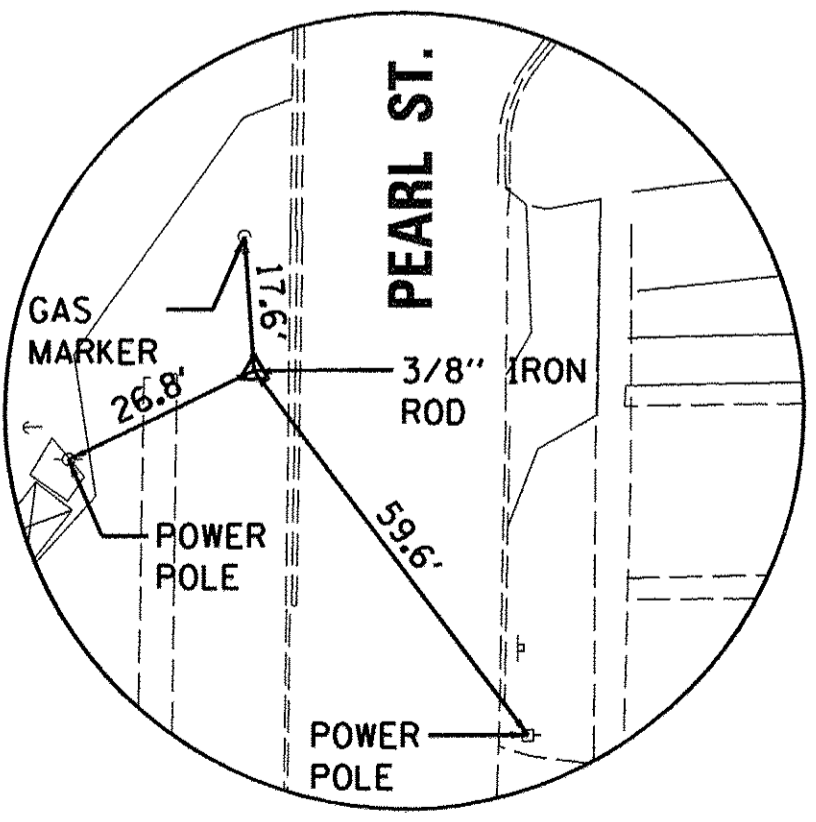
CONTROL POINT #7
3/8" IRON ROD



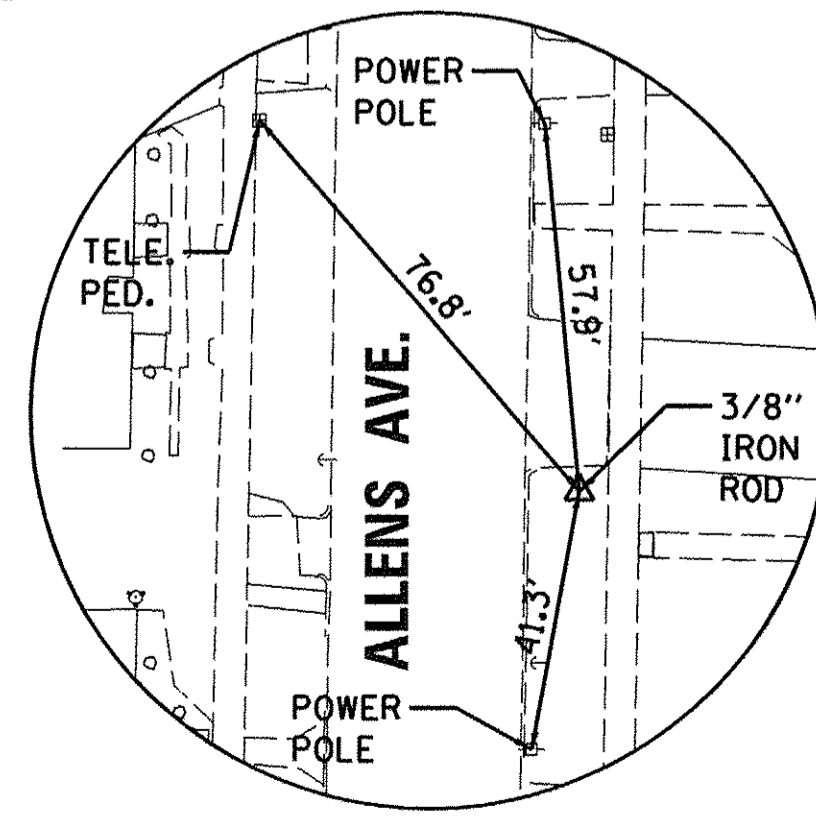
CONTROL POINT #8
3/8" IRON ROD



CONTROL POINT #9
3/8" IRON ROD



CONTROL POINT #10
3/8" IRON ROD



CONTROL POINT #11
3/8" IRON ROD

© Copyright Hanson Professional Services Inc. 2015
HANSON
 Hanson Professional Services Inc.

LAYOUT	RLA	2/11/14
DRAWN	RLA	5/27/15
REVIEWED	MPB	5/28/15

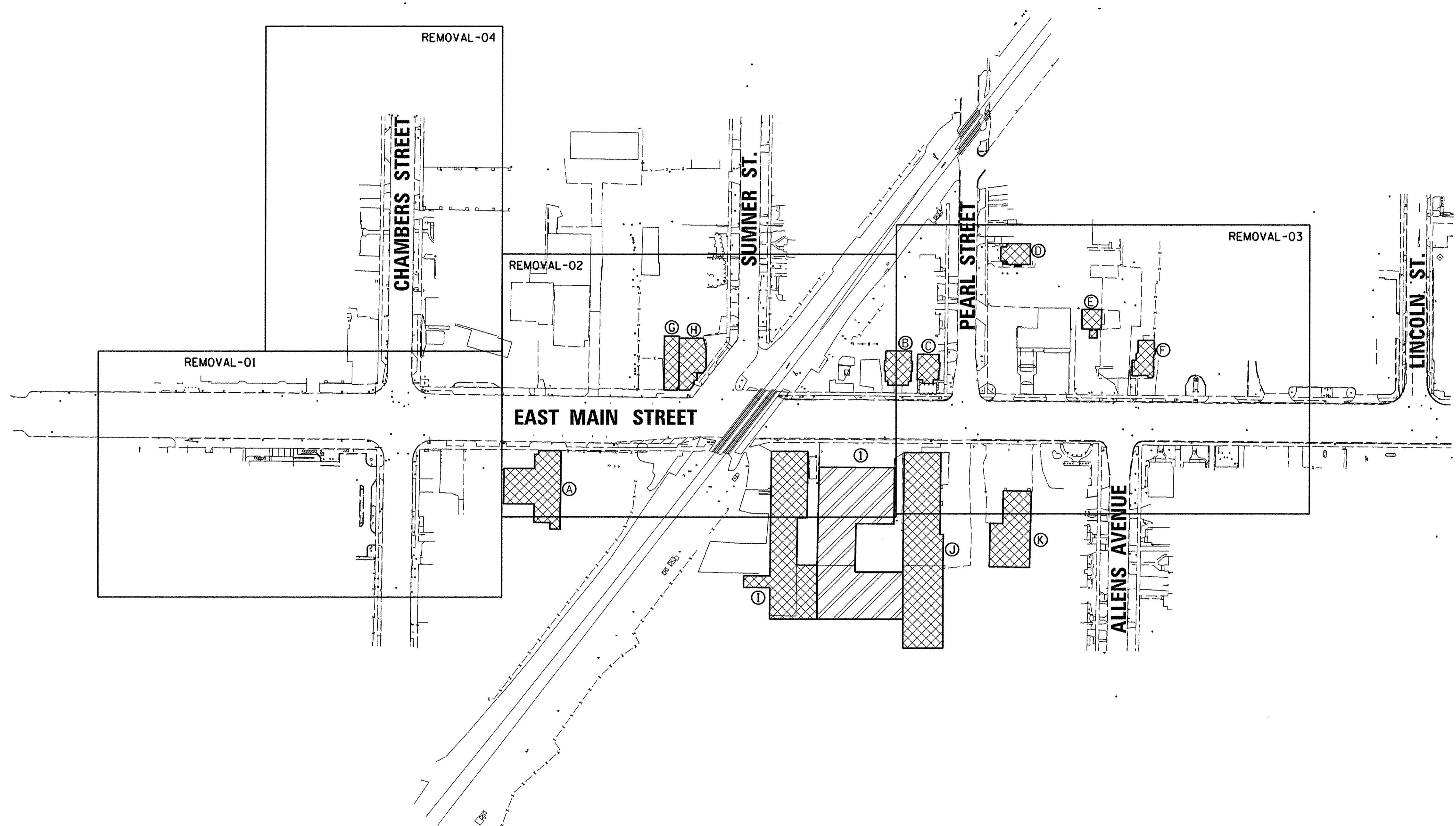
FILE NAME =
 USER NAME = andr02046
 DESIGNED - RLA
 DRAWN - RLA
 CHECKED - MPB
 DATE - 9/9/2015

REVISIONS
 REVISED -
 REVISED -
 REVISED -
 REVISED -

**STATE OF ILLINOIS
 DEPARTMENT OF TRANSPORTATION**

**EAST MAIN STREET
 ALIGNMENT, BENCHMARKS, AND TIES**
 SCALE: 1"=100'
 SHEET NO. OF SHEETS STA. TO STA.

F.A.U. RTE.	SECTION	COUNTY	TOTAL SHEETS	SHEET NO.
6800	05-00500-19-GS	KNOX	221	16
50VB		CONTRACT NO.89417		
FED. ROAD DIST. NO.		ILLINOIS FED. AID PROJECT		

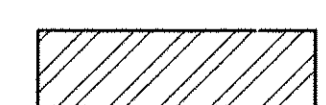


LEGEND



BUILDINGS PREVIOUSLY REMOVED BY OTHERS

- Ⓐ 536 E. MAIN STREET
- Ⓑ 663 E. MAIN STREET
- Ⓒ 675 E. MAIN STREET
- Ⓓ 61 N. PEARL STREET
- Ⓔ 759 E. MAIN STREET
- Ⓕ 789 E. MAIN STREET
- Ⓖ 583 E. MAIN STREET
- Ⓗ 587 E. MAIN STREET
- Ⓘ 600 E. MAIN STREET
- Ⓣ 674 E. MAIN STREET
- Ⓚ 712 E. MAIN STREET



BUILDINGS TO BE REMOVED WITH THIS CONTRACT

PARCEL #	ADDRESS	PAY ITEM
1	642 E. MAIN ST.	BUILDING REMOVAL #1

NOTES:
 1. ALL RAILROAD EQUIPMENT REMOVAL WILL BE BY OTHERS

PRELIMINARY
 NOT FOR CONSTRUCTION

LAYOUT	RLA	2/11/14
DRAWN	MGD	5/27/15
REVIEWED	MPB	5/28/15

FILE NAME =	USER NAME = andr00846	DESIGNED - RLA	REVISED -
c:\pwise_work\do_not_delete\d0273754\04910105-sht-rem001.dgn		DRAWN - MGD	REVISED -
	PLOT SCALE = 100.0000' / in.	CHECKED - MPB	REVISED -
	PLOT DATE = 9/8/2015	DATE - 9/9/2015	REVISED -

STATE OF ILLINOIS
DEPARTMENT OF TRANSPORTATION

EAST MAIN STREET
REMOVAL PLAN OVERVIEW

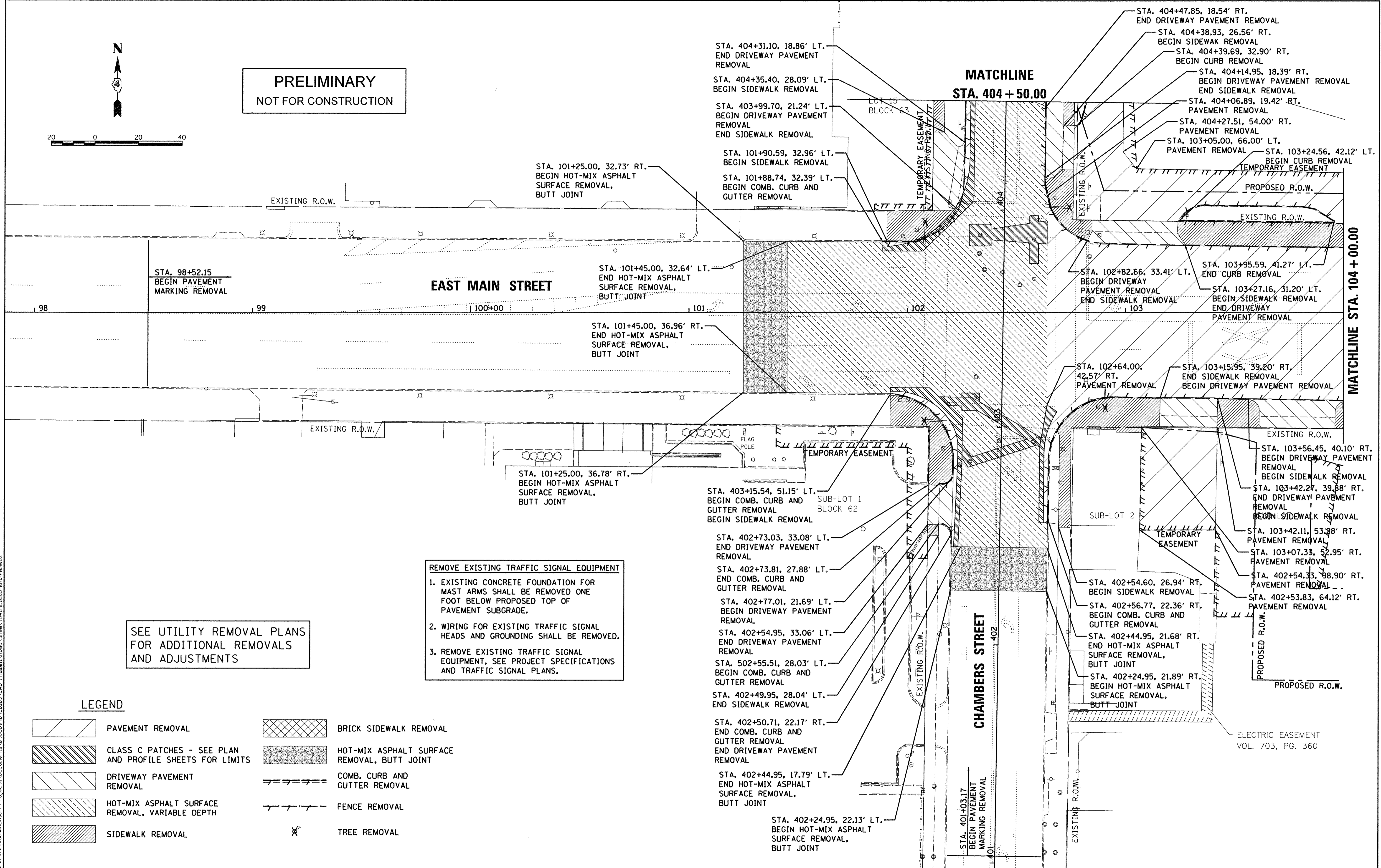
SCALE: 1"=100' SHEET NO. OF SHEETS STA. TO STA.

F.A.U. RTE.	SECTION	COUNTY	TOTAL SHEETS	SHEET NO.
6800	05-00500-19-GS	KNOX	221	17
50VB			CONTRACT NO.89417	
FED. ROAD DIST. NO. [ILLINOIS] FED. AID PROJECT				



PRELIMINARY
NOT FOR CONSTRUCTION

HANSON
Professional Services Inc.



SEE UTILITY REMOVAL PLANS
FOR ADDITIONAL REMOVALS
AND ADJUSTMENTS

- REMOVE EXISTING TRAFFIC SIGNAL EQUIPMENT**
- EXISTING CONCRETE FOUNDATION FOR MAST ARMS SHALL BE REMOVED ONE FOOT BELOW PROPOSED TOP OF PAVEMENT SUBGRADE.
 - WIRING FOR EXISTING TRAFFIC SIGNAL HEADS AND GROUNDING SHALL BE REMOVED.
 - REMOVE EXISTING TRAFFIC SIGNAL EQUIPMENT, SEE PROJECT SPECIFICATIONS AND TRAFFIC SIGNAL PLANS.

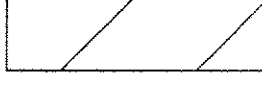


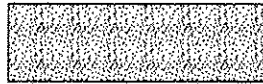
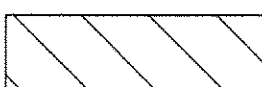

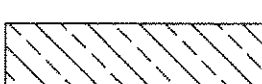
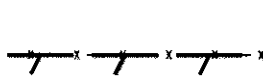


LEGEND

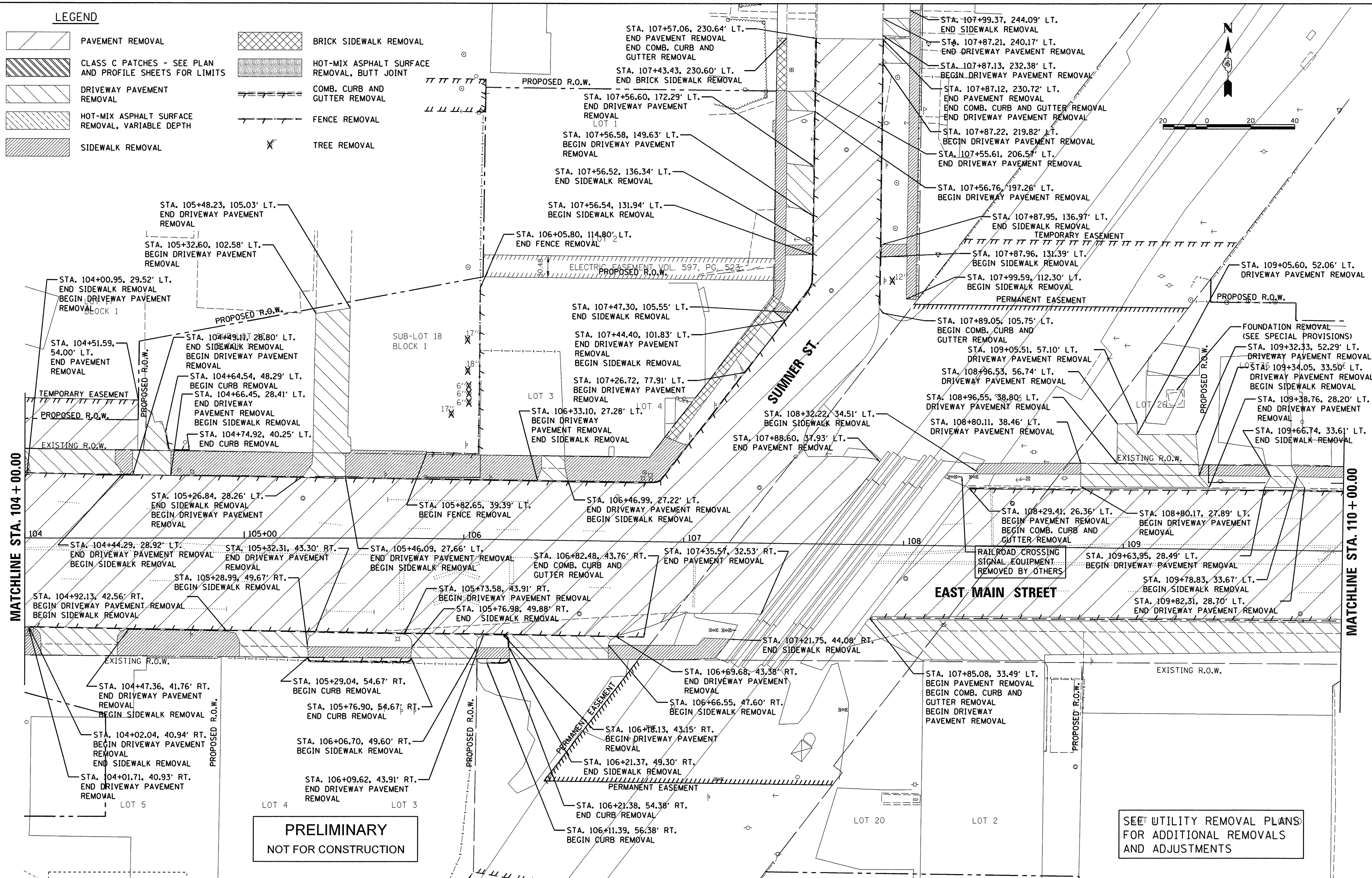
- | | | | |
|--|--|--|---|
| | PAVEMENT REMOVAL | | BRICK SIDEWALK REMOVAL |
| | CLASS C PATCHES - SEE PLAN AND PROFILE SHEETS FOR LIMITS | | HOT-MIX ASPHALT SURFACE REMOVAL, BUTT JOINT |
| | DRIVEWAY PAVEMENT REMOVAL | | COMB. CURB AND GUTTER REMOVAL |
| | HOT-MIX ASPHALT SURFACE REMOVAL, VARIABLE DEPTH | | FENCE REMOVAL |
| | SIDEWALK REMOVAL | | TREE REMOVAL |

LAYOUT	2/11/14
DRAWN	5/27/15
REVIEWED	5/28/15
MPB	

FILE NAME =	USER NAME = ande00846	DESIGNED - RLA	REVISED -	STATE OF ILLINOIS DEPARTMENT OF TRANSPORTATION	EAST MAIN STREET ROADWAY REMOVAL PLAN			F.A.U. RTE. 6800	SECTION 05-00500-19-GS	COUNTY KNOX	TOTAL SHEETS 221	SHEET NO. 18
PLOT SCALE = 20.0000' / 1in.		DRAWN - MGD	REVISED -		SCALE: 1"=20'	SHEET NO. OF SHEETS	STA. 98+52.15 TO STA. 104+00.00	FED. ROAD DIST. NO.	ILLINOIS	FED. AID PROJECT		
PLOT DATE = 9/8/2015		CHECKED - MPB	REVISED -				50VB			CONTRACT NO. 89417		
		DATE - 9/9/2015	REVISED -									

LEGEND

-  PAVEMENT REMOVAL
-  BRICK SIDEWALK REMOVAL
-  CLASS C PATCHES - SEE PLAN AND PROFILE SHEETS FOR LIMITS
-  HOT-MIX ASPHALT SURFACE REMOVAL, BUTT JOINT
-  DRIVEWAY PAVEMENT REMOVAL
-  COMB. CURB AND GUTTER REMOVAL
-  HOT-MIX ASPHALT SURFACE REMOVAL, VARIABLE DEPTH
-  FENCE REMOVAL
-  SIDEWALK REMOVAL
-  TREE REMOVAL



**PRELIMINARY
NOT FOR CONSTRUCTION**

SEE UTILITY REMOVAL PLANS
FOR ADDITIONAL REMOVALS
AND ADJUSTMENTS

© Copyright Hanson Professional Services Inc. 2015
HANSON
 Hanson Professional Services Inc.

LAYOUT	2/11/14
DRAWN	5/27/15
REVIEWED	5/28/15

FILE NAME =	USER NAME = ender00846	DESIGNED - RLA	REVISED -
c:\pwise_work\do_not_delete\02273754\049\0105-shr-rem003.dgn		DRAWN - MGD	REVISED -
		CHECKED - MPB	REVISED -
		DATE - 9/9/2015	REVISED -

**STATE OF ILLINOIS
DEPARTMENT OF TRANSPORTATION**

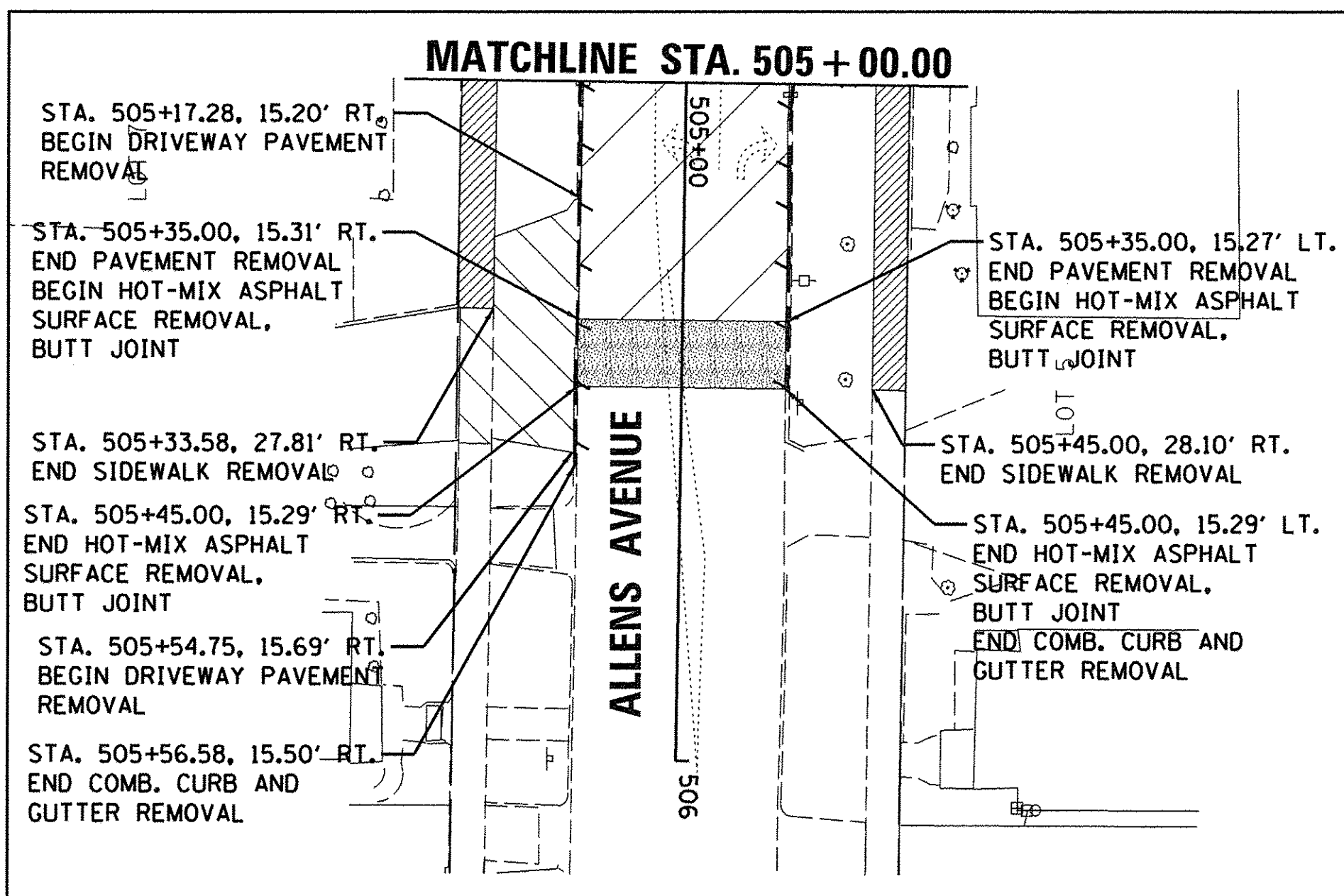
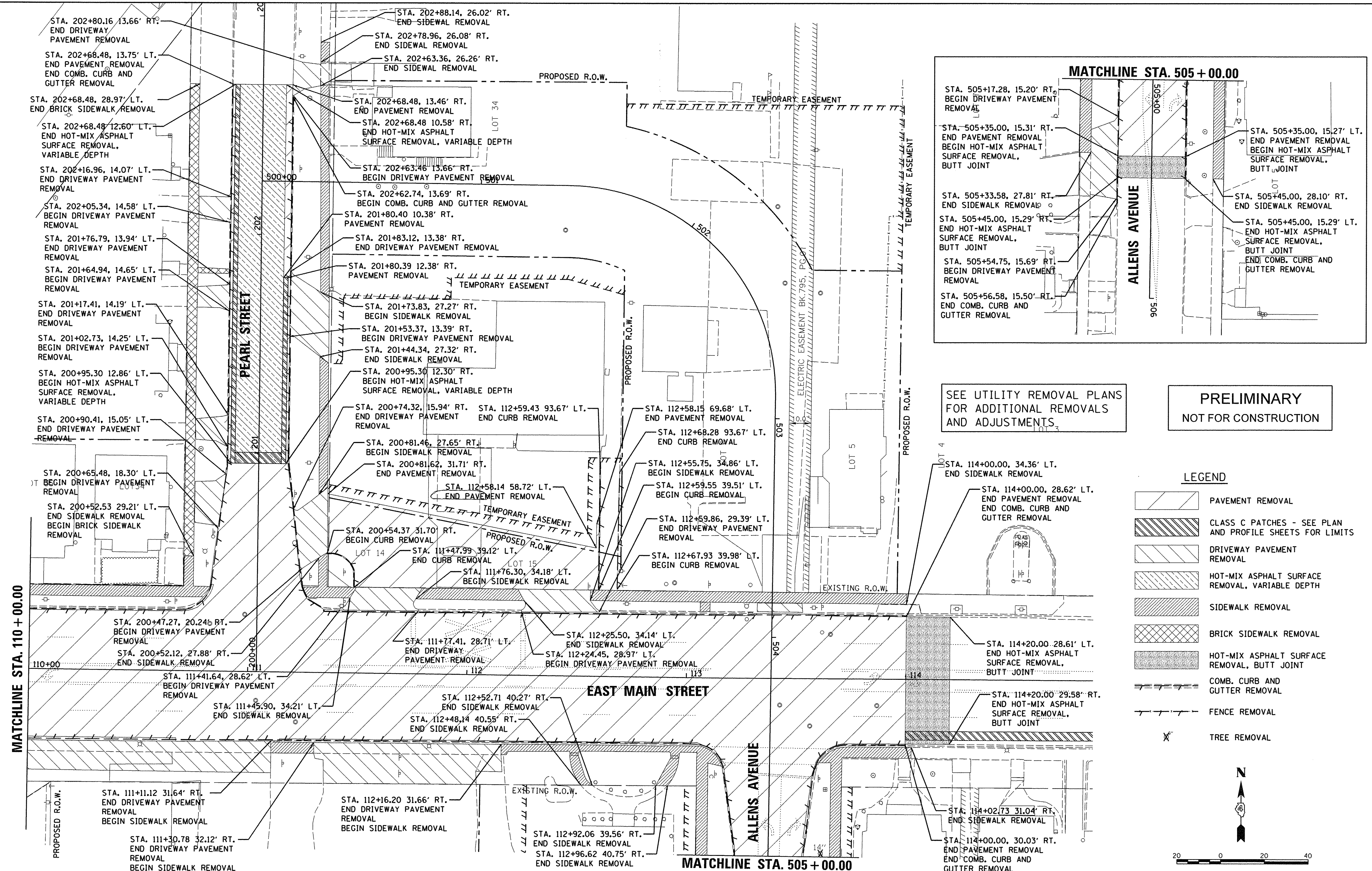
**EAST MAIN STREET
ROADWAY REMOVAL PLAN**

SCALE: 1"=20' SHEET NO. OF SHEETS STA. 104+00.00 TO STA. 110+00.00

F.A.U. RTE.	SECTION	COUNTY	TOTAL SHEETS	SHEET NO.
6800	05-00500-19-GS	KNOX	221	19
	50VB			CONTRACT NO.89417
FED. ROAD DIST. NO.		ILLINOIS FED. AID PROJECT		



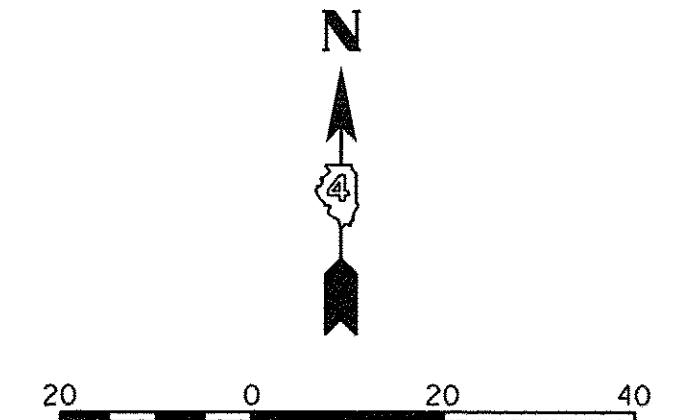
© Copyright Hanson Professional Services Inc. 2015
 Hanson Professional Services Inc.
 RLA 2/11/14
 MGD 5/27/15
 MPB 5/28/15
 FILE NAME = c:\pwise_work\do_not_delete\d0273754\04910105-shr-rem004.dgn
 PLOT SCALE = 20.0000' / in.
 PLOT DATE = 9/8/2015



SEE UTILITY REMOVAL PLANS FOR ADDITIONAL REMOVALS AND ADJUSTMENTS.

**PRELIMINARY
NOT FOR CONSTRUCTION**

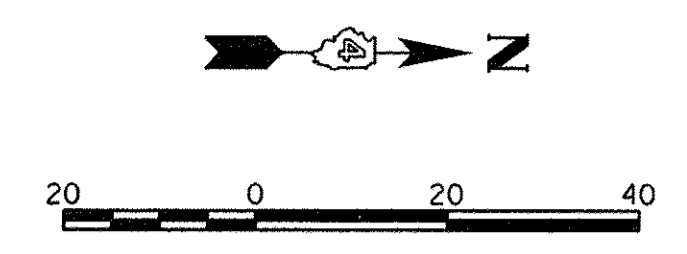
- LEGEND**
- PAVEMENT REMOVAL
 - CLASS C PATCHES - SEE PLAN AND PROFILE SHEETS FOR LIMITS
 - DRIVEWAY PAVEMENT REMOVAL
 - HOT-MIX ASPHALT SURFACE REMOVAL, VARIABLE DEPTH
 - SIDEWALK REMOVAL
 - BRICK SIDEWALK REMOVAL
 - HOT-MIX ASPHALT SURFACE REMOVAL, BUTT JOINT
 - COMB. CURB AND GUTTER REMOVAL
 - FENCE REMOVAL
 - TREE REMOVAL



**STATE OF ILLINOIS
DEPARTMENT OF TRANSPORTATION**

**EAST MAIN STREET
ROADWAY REMOVAL PLAN**

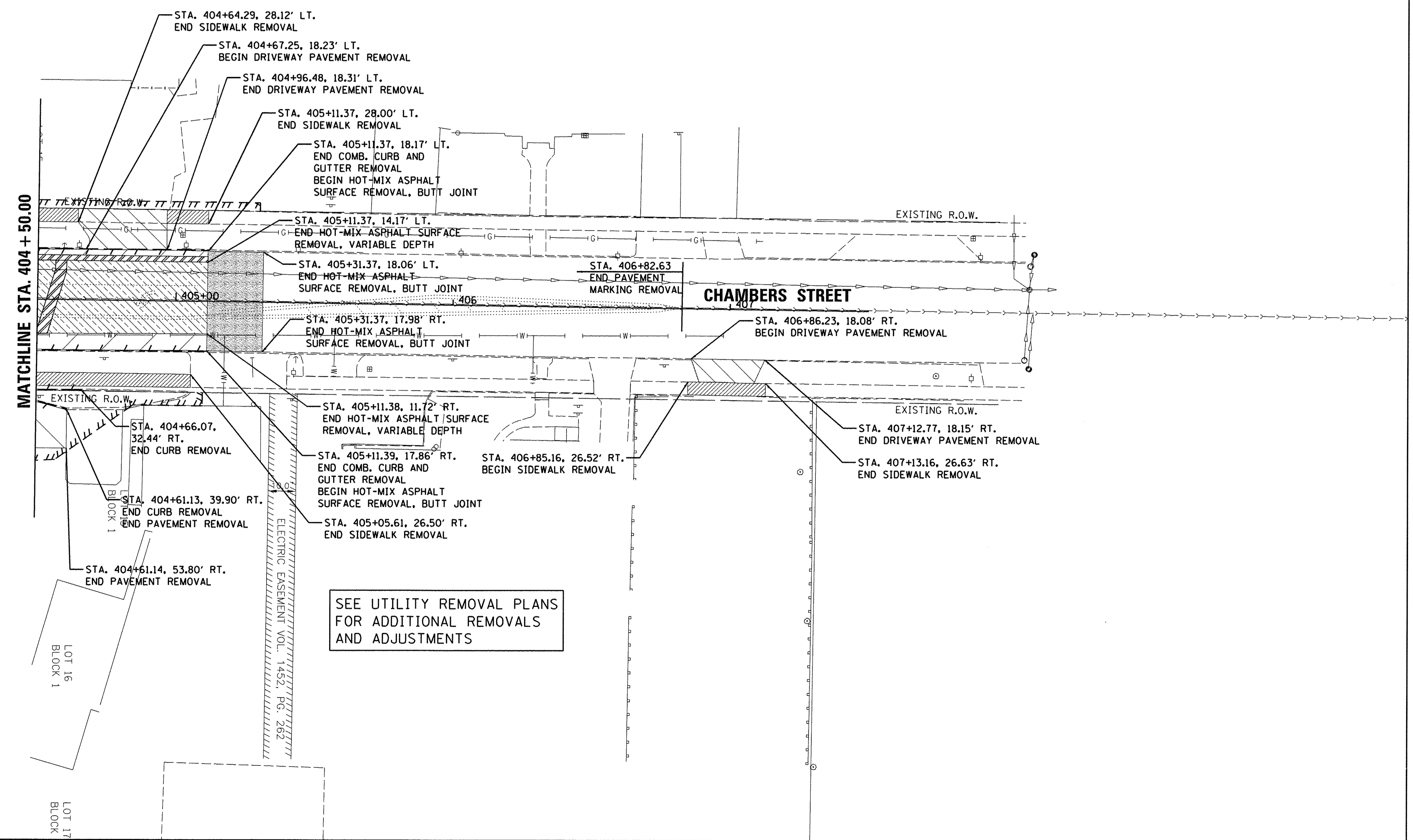
SCALE: 1"=20'	SHEET NO. OF SHEETS	STA. 110+00.00 TO STA. 114+00.00	F.A.U. RTE. 6800	SECTION 05-00500-19-GS	COUNTY KNOX	TOTAL SHEETS 221	SHEET NO. 20
			50VB		CONTRACT NO.89417		
			FED. ROAD DIST. NO. [ILLINOIS] FED. AID PROJECT				



PRELIMINARY
NOT FOR CONSTRUCTION

LEGEND

- | | | | |
|--|--|--|---|
| | PAVEMENT REMOVAL | | BRICK SIDEWALK REMOVAL |
| | CLASS C PATCHES - SEE PLAN AND PROFILE SHEETS FOR LIMITS | | HOT-MIX ASPHALT SURFACE REMOVAL, BUTT JOINT |
| | DRIVEWAY PAVEMENT REMOVAL | | COMB. CURB AND GUTTER REMOVAL |
| | HOT-MIX ASPHALT SURFACE REMOVAL, VARIABLE DEPTH | | FENCE REMOVAL |
| | SIDEWALK REMOVAL | | TREE REMOVAL |



SEE UTILITY REMOVAL PLANS FOR ADDITIONAL REMOVALS AND ADJUSTMENTS

LAYOUT	2/11/14
RLA	
DRAWN	5/21/15
MGD	
REVIEWED	5/28/15
MPB	

FILE NAME =	USER NAME = andr00846	DESIGNED - RLA	REVISED -
ct:\pwise\work\do_not_delete\d0273754\1452\1452-1452-rem005.dgn		DRAWN - MGD	REVISED -
		CHECKED - MPB	REVISED -
		DATE - 9/9/2015	REVISED -

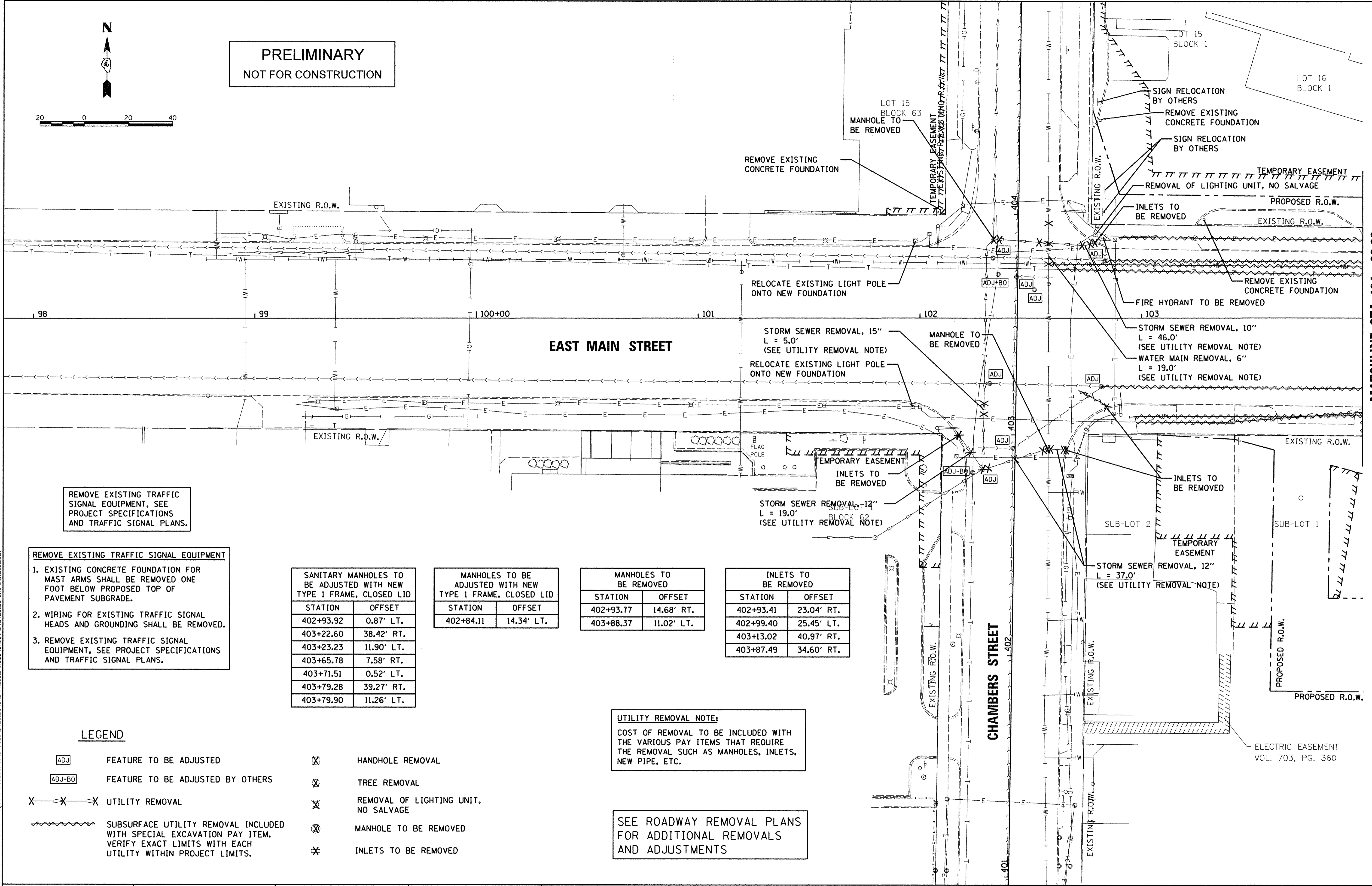
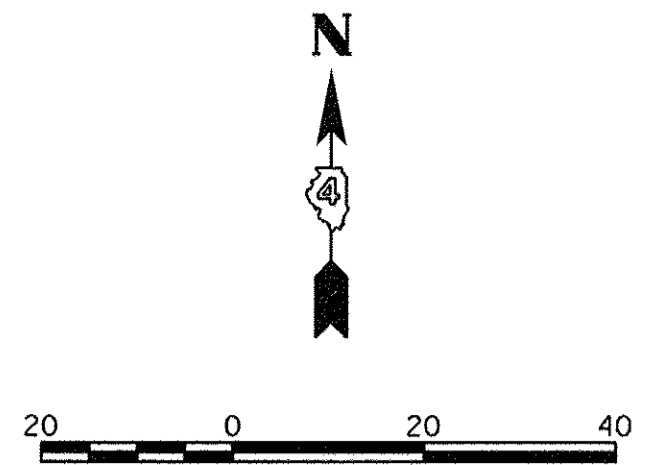
STATE OF ILLINOIS
DEPARTMENT OF TRANSPORTATION

CHAMBERS STREET
ROADWAY REMOVAL PLAN

SCALE: 1"=20' SHEET NO. OF SHEETS STA. 404+50.00 TO STA. 406+82.63

F.A.U. RTE.	SECTION	COUNTY	TOTAL SHEETS	SHEET NO.
6800	05-00500-19-GS	KNOX	221	21
50VB		CONTRACT NO.89417		
FED. ROAD DIST. NO.		ILLINOIS FED. AID PROJECT		

**PRELIMINARY
NOT FOR CONSTRUCTION**



REMOVE EXISTING TRAFFIC SIGNAL EQUIPMENT, SEE PROJECT SPECIFICATIONS AND TRAFFIC SIGNAL PLANS.

- REMOVE EXISTING TRAFFIC SIGNAL EQUIPMENT**
- EXISTING CONCRETE FOUNDATION FOR MAST ARMS SHALL BE REMOVED ONE FOOT BELOW PROPOSED TOP OF PAVEMENT SUBGRADE.
 - WIRING FOR EXISTING TRAFFIC SIGNAL HEADS AND GROUNDING SHALL BE REMOVED.
 - REMOVE EXISTING TRAFFIC SIGNAL EQUIPMENT, SEE PROJECT SPECIFICATIONS AND TRAFFIC SIGNAL PLANS.

SANITARY MANHOLES TO BE ADJUSTED WITH NEW TYPE 1 FRAME, CLOSED LID	
STATION	OFFSET
402+93.92	0.87' LT.
403+22.60	38.42' RT.
403+23.23	11.90' LT.
403+65.78	7.58' RT.
403+71.51	0.52' LT.
403+79.28	39.27' RT.
403+79.90	11.26' LT.

MANHOLES TO BE ADJUSTED WITH NEW TYPE 1 FRAME, CLOSED LID	
STATION	OFFSET
402+84.11	14.34' LT.

MANHOLES TO BE REMOVED	
STATION	OFFSET
402+93.77	14.68' RT.
403+88.37	11.02' LT.

INLETS TO BE REMOVED	
STATION	OFFSET
402+93.41	23.04' RT.
402+99.40	25.45' LT.
403+13.02	40.97' RT.
403+87.49	34.60' RT.

UTILITY REMOVAL NOTE:
COST OF REMOVAL TO BE INCLUDED WITH THE VARIOUS PAY ITEMS THAT REQUIRE THE REMOVAL SUCH AS MANHOLES, INLETS, NEW PIPE, ETC.

SEE ROADWAY REMOVAL PLANS FOR ADDITIONAL REMOVALS AND ADJUSTMENTS

LEGEND

- ADJ FEATURE TO BE ADJUSTED
- ADJ-BO FEATURE TO BE ADJUSTED BY OTHERS
- X—X—X UTILITY REMOVAL
- ~~~~~ SUBSURFACE UTILITY REMOVAL INCLUDED WITH SPECIAL EXCAVATION PAY ITEM. VERIFY EXACT LIMITS WITH EACH UTILITY WITHIN PROJECT LIMITS.
- ⊗ HANDHOLE REMOVAL
- ⊗ TREE REMOVAL
- ⊗ REMOVAL OF LIGHTING UNIT, NO SALVAGE
- ⊗ MANHOLE TO BE REMOVED
- ⊗ INLETS TO BE REMOVED

© Copyright Hanson Professional Services Inc. 2015
HANSON
 Hanson Professional Services Inc.

LAYOUT	RLA	2/11/14
DRAWN	MGD	5/27/15
REVIEWED	MPB	5/28/15

FILE NAME =	USER NAME = onder00846	DESIGNED - RLA	REVISED -
c:\pwise_work\do_not_delete\0273754\04910105-sht-UtlDemo001.dgn		DRAWN - MGD	REVISED -
	PLOT SCALE = 20,0000' / 1in.	CHECKED - MPB	REVISED -
	PLOT DATE = 9/9/2015	DATE - 9/9/2015	REVISED -

**STATE OF ILLINOIS
DEPARTMENT OF TRANSPORTATION**

**EAST MAIN STREET
UTILITY REMOVAL PLANS**

SCALE: 1"=20' SHEET NO. OF SHEETS STA. TO STA.

F.A.U. RTE.	SECTION	COUNTY	TOTAL SHEETS	SHEET NO.
6800	05-00500-19-GS	KNOX	221	22
50VB		CONTRACT NO. 89417		
FED. ROAD DIST. NO. [ILLINOIS] FED. AID PROJECT				

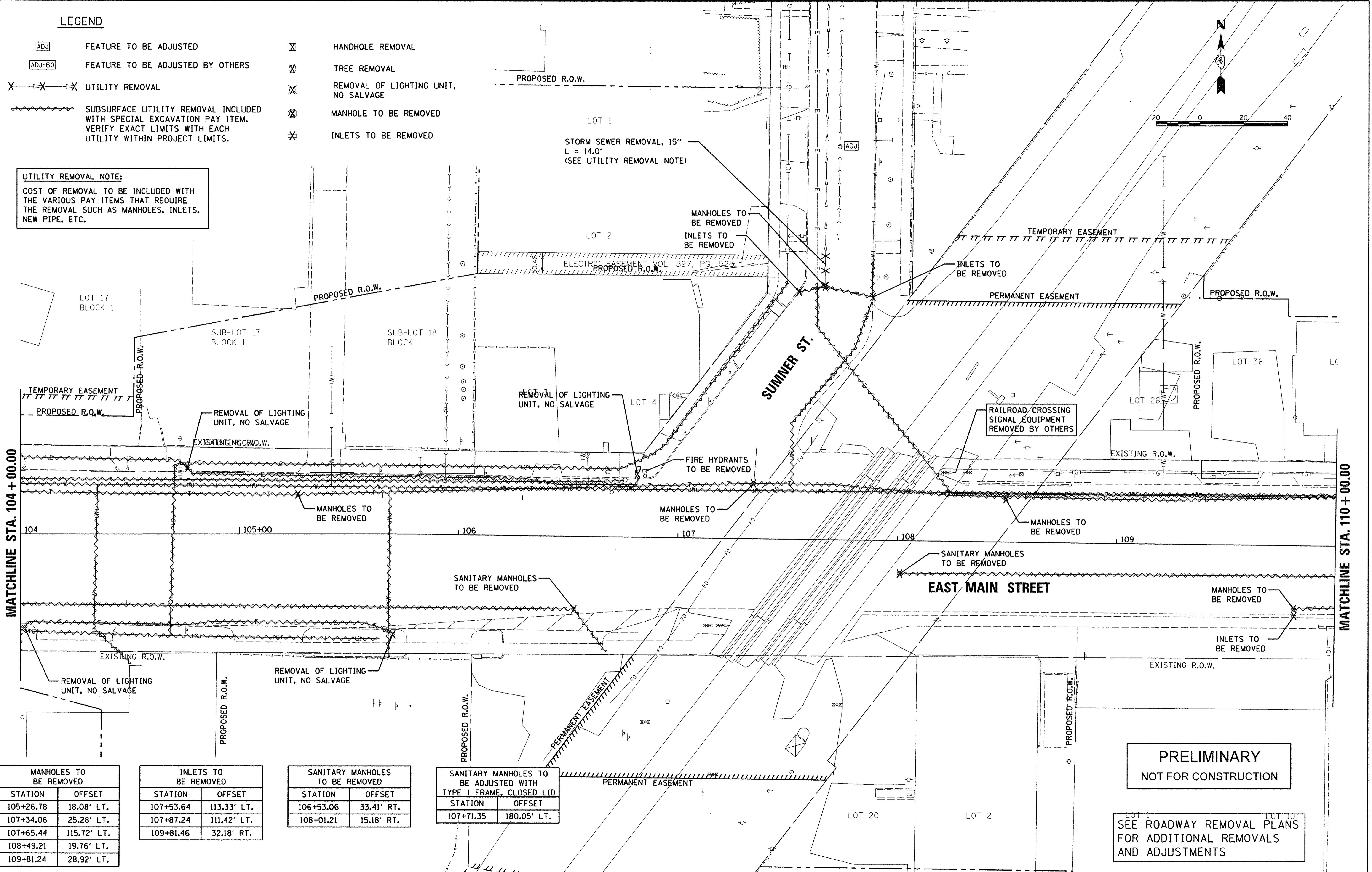
MATCHLINE STA. 104 + 00.00

LEGEND

- ADJ FEATURE TO BE ADJUSTED
- ADJ-BO FEATURE TO BE ADJUSTED BY OTHERS
- UTILITY REMOVAL
- SUBSURFACE UTILITY REMOVAL INCLUDED WITH SPECIAL EXCAVATION PAY ITEM. VERIFY EXACT LIMITS WITH EACH UTILITY WITHIN PROJECT LIMITS.
- HANDHOLE REMOVAL
- TREE REMOVAL
- REMOVAL OF LIGHTING UNIT, NO SALVAGE
- MANHOLE TO BE REMOVED
- INLETS TO BE REMOVED

UTILITY REMOVAL NOTE:

COST OF REMOVAL TO BE INCLUDED WITH THE VARIOUS PAY ITEMS THAT REQUIRE THE REMOVAL SUCH AS MANHOLES, INLETS, NEW PIPE, ETC.



MATCHLINE STA. 104 + 00.00

MATCHLINE STA. 110 + 00.00

MANHOLES TO BE REMOVED	
STATION	OFFSET
105+26.78	18.08' LT.
107+34.06	25.28' LT.
107+65.44	115.72' LT.
108+49.21	19.76' LT.
109+81.24	28.92' LT.

INLETS TO BE REMOVED	
STATION	OFFSET
107+53.64	113.33' LT.
107+87.24	111.42' LT.
109+81.46	32.18' RT.

SANITARY MANHOLES TO BE REMOVED	
STATION	OFFSET
106+53.06	33.41' RT.
108+01.21	15.18' RT.

SANITARY MANHOLES TO BE ADJUSTED WITH TYPE 1 FRAME, CLOSED LID	
STATION	OFFSET
107+71.35	180.05' LT.

PRELIMINARY
NOT FOR CONSTRUCTION

SEE ROADWAY REMOVAL PLANS FOR ADDITIONAL REMOVALS AND ADJUSTMENTS



LAYOUT	2/11/14
DRAWN	5/27/15
REVIEWED	5/28/15

FILE NAME = USER NAME = onder-02846
 c:\pwise_work\do_not_delete\0273754\0499\0105-sht-Utl1Demo02.dgn
 PLOT SCALE = 20.0000' / 1in.
 PLOT DATE = 9/8/2015

DESIGNED - RLA
 DRAWN - MGD
 CHECKED - MPB
 DATE - 9/9/2015

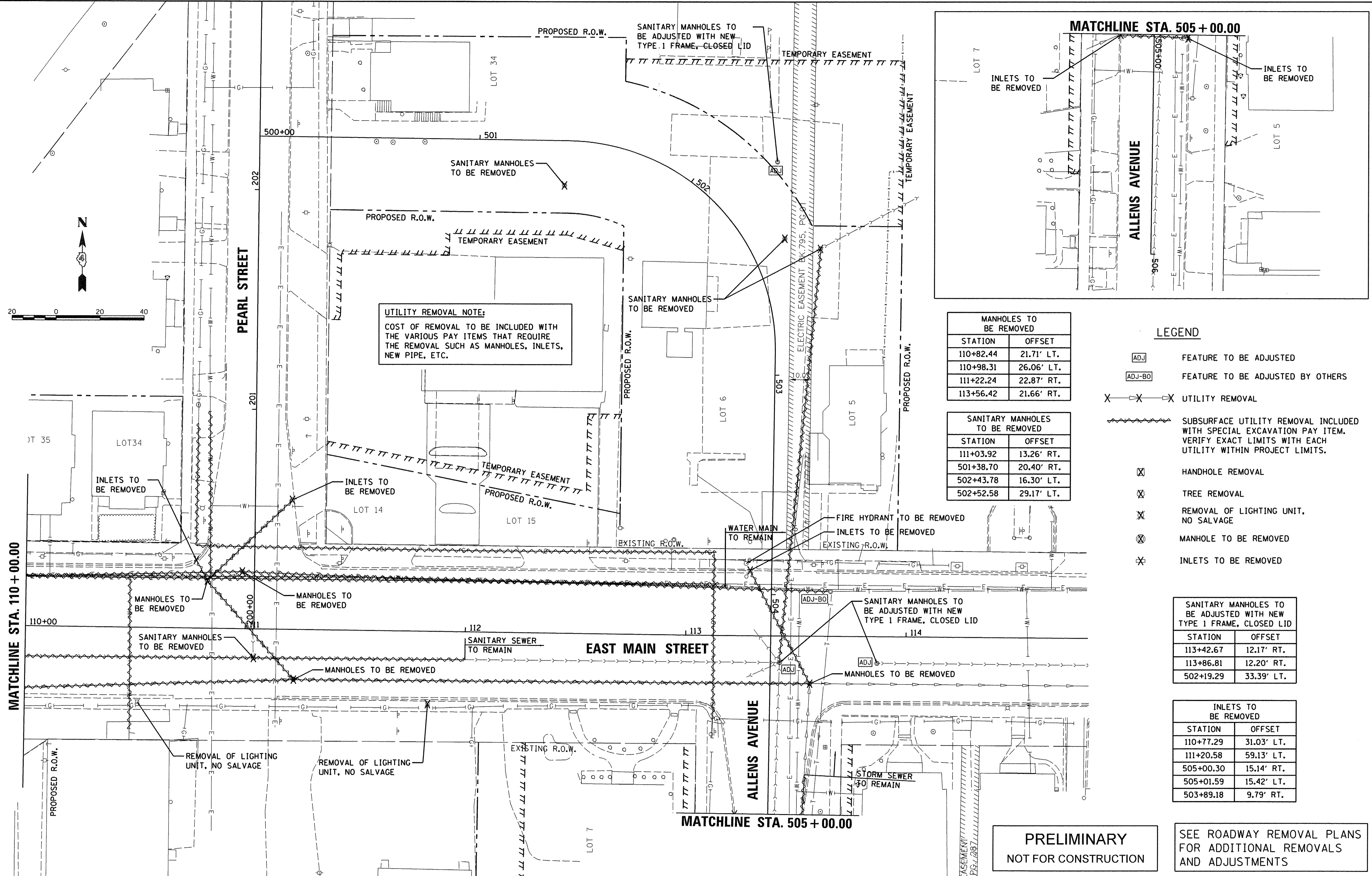
REVISED -
 REVISED -
 REVISED -
 REVISED -

STATE OF ILLINOIS
DEPARTMENT OF TRANSPORTATION

EAST MAIN STREET
UTILITY REMOVAL PLANS

SCALE: 1"=20' SHEET NO. OF SHEETS STA. TO STA.

F.A.J. RTE.	SECTION	COUNTY	TOTAL SHEETS	SHEET NO.
6800	05-00500-19-GS	KNOX	221	23
50VB		CONTRACT NO.89417		
FED. ROAD DIST. NO. [ILLINOIS] FED. AID PROJECT				



MANHOLES TO BE REMOVED

STATION	OFFSET
110+82.44	21.71' LT.
110+98.31	26.06' LT.
111+22.24	22.87' RT.
113+56.42	21.66' RT.

SANITARY MANHOLES TO BE REMOVED

STATION	OFFSET
111+03.92	13.26' RT.
501+38.70	20.40' RT.
502+43.78	16.30' LT.
502+52.58	29.17' LT.

- LEGEND**
- ADJ FEATURE TO BE ADJUSTED
 - ADJ-BO FEATURE TO BE ADJUSTED BY OTHERS
 - UTILITY REMOVAL
 - SUBSURFACE UTILITY REMOVAL INCLUDED WITH SPECIAL EXCAVATION PAY ITEM. VERIFY EXACT LIMITS WITH EACH UTILITY WITHIN PROJECT LIMITS.
 - HANDHOLE REMOVAL
 - TREE REMOVAL
 - REMOVAL OF LIGHTING UNIT, NO SALVAGE
 - MANHOLE TO BE REMOVED
 - INLETS TO BE REMOVED

SANITARY MANHOLES TO BE ADJUSTED WITH NEW TYPE 1 FRAME, CLOSED LID

STATION	OFFSET
113+42.67	12.17' RT.
113+86.81	12.20' RT.
502+19.29	33.39' LT.

INLETS TO BE REMOVED

STATION	OFFSET
110+77.29	31.03' LT.
111+20.58	59.13' LT.
505+00.30	15.14' RT.
505+01.59	15.42' LT.
503+89.18	9.79' RT.

**PRELIMINARY
NOT FOR CONSTRUCTION**

**SEE ROADWAY REMOVAL PLANS
FOR ADDITIONAL REMOVALS
AND ADJUSTMENTS**

UTILITY REMOVAL NOTE:
COST OF REMOVAL TO BE INCLUDED WITH THE VARIOUS PAY ITEMS THAT REQUIRE THE REMOVAL SUCH AS MANHOLES, INLETS, NEW PIPE, ETC.

LAYOUT	RLA	2/11/14
DRAWN	MGD	5/27/15
REVIEWED	MPB	5/28/15

FILE NAME =	USER NAME = ender00846	DESIGNED - RLA	REVISED -
c:\pwise_work\do_not_delete\0273754\0491910125-shr-UtlDemo003.dgn		DRAWN - MGD	REVISED -
	PLOT SCALE = 20.0000' / 1"	CHECKED - MPB	REVISED -
	PLOT DATE = 9/8/2015	DATE - 9/9/2015	REVISED -

**STATE OF ILLINOIS
DEPARTMENT OF TRANSPORTATION**

**EAST MAIN STREET
UTILITY REMOVAL PLANS**

SCALE: 1"=20' SHEET NO. OF SHEETS STA. TO STA.

F.A.J. RTE.	SECTION	COUNTY	TOTAL SHEETS	SHEET NO.
6800	05-00500-19-GS	KNOX	221	24
50VB		CONTRACT NO.89417		
FED. ROAD DIST. NO. ILLINOIS FED. AID PROJECT				

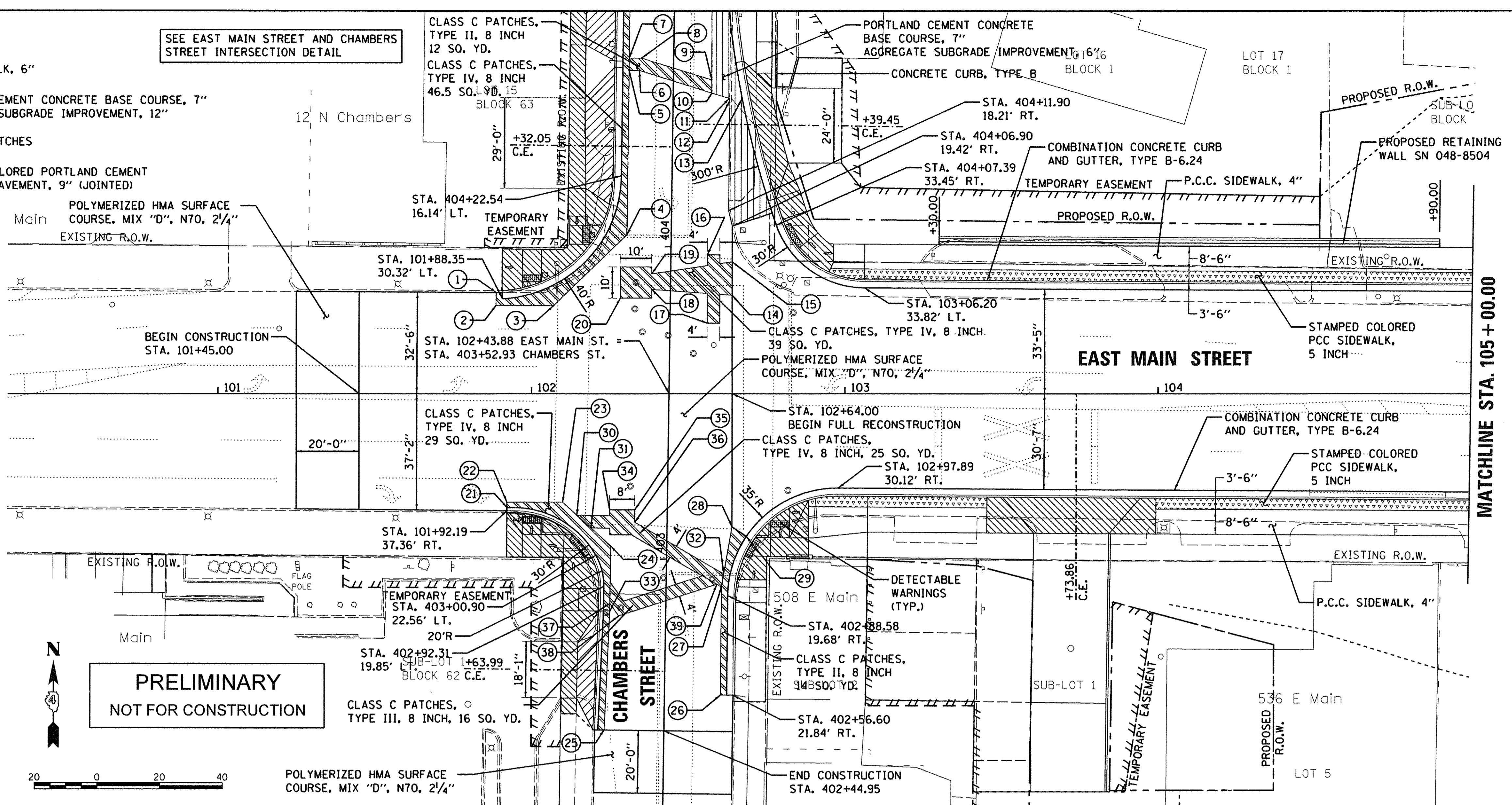
LEGEND - DRIVEWAYS

	PCC DRIVEWAY PAVEMENT, 8"		PCC SIDEWALK, 6"
	PCC DRIVEWAY PAVEMENT, 6"		PORTLAND CEMENT CONCRETE BASE COURSE, 7" AGGREGATE SUBGRADE IMPROVEMENT, 12"
	PCC SIDEWALK, 8"		CLASS C PATCHES
	STAMPED COLORED PCC SIDEWALK, 5 INCH		STAMPED COLORED PORTLAND CEMENT CONCRETE PAVEMENT, 9" (JOINTED)

SEE EAST MAIN STREET AND CHAMBERS STREET INTERSECTION DETAIL

CLASS C PATCHES		
NO.	STATION	OFFSET
1	101+88.74	32.38' LT.
2	101+88.71	28.32' LT.
3	102+07.02	28.18' LT.
4	404+03.73	14.13' LT.
5	404+56.37	14.15' LT.
6	404+56.37	10.88' LT.
7	404+60.37	14.15' LT.
8	404+60.37	10.30' LT.
9	404+53.66	12.28' RT.
10	404+49.47	12.33' RT.
11	404+47.81	17.93' RT.
12	404+47.01	18.06' RT.
13	404+47.83	22.02' RT.
14	403+84.67	19.71' RT.
15	403+95.41	19.57' RT.
16	403+97.56	11.61' RT.
17	403+75.56	11.87' RT.
18	403+86.20	5.99' LT.
19	403+91.21	6.06' LT.
20	403+83.30	15.96' LT.

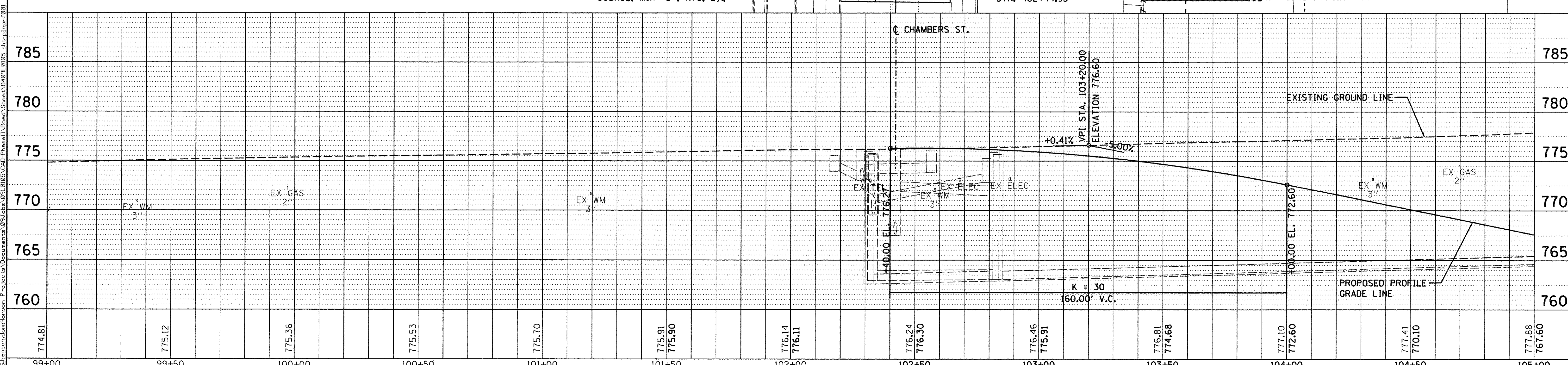
CLASS C PATCHES		
NO.	STATION	OFFSET
21	101+92.20	36.36' RT.
22	101+92.21	34.56' RT.
23	102+09.98	34.65' RT.
24	403+04.02	17.86' LT.
25	402+44.95	19.07' LT.
26	402+56.59	17.84' RT.
27	402+91.31	17.67' RT.
28	403+10.65	20.72' RT.
29	403+07.65	25.33' RT.
30	403+13.71	28.79' LT.
31	403+09.68	24.26' LT.
32	402+95.53	18.32' RT.
33	402+82.95	17.84' LT.
34	403+15.58	18.36' LT.
35	403+15.69	10.36' LT.
36	403+11.68	10.30' LT.
37	402+85.53	17.84' LT.
38	402+81.58	14.98' LT.
39	402+92.15	16.18' RT.



DATE	
BY	
PLAN	
NO.	
NO.	
NO.	
NO.	

DATE	
BY	
PROFILE	
NO.	
NO.	
NO.	
NO.	

RLA	2/11/14
MGD	5/27/15
MPB	5/28/15
REVIEWED	



FILE NAME =	USER NAME = andr00846	DESIGNED - RLA	REVISED -	<p align="center">STATE OF ILLINOIS DEPARTMENT OF TRANSPORTATION</p> <p align="center">SCALE: 1"=20'</p>	<p align="center">EAST MAIN STREET PLAN AND PROFILE</p> <p align="center">SHEET OF SHEETS STA. 101+45.00 TO STA. 105+00.00</p>	F.A.I. RTE.	SECTION	COUNTY	TOTAL SHEETS	SHEET NO.
		DRAWN - MGD	REVISED -			6800	05-00500-19-GS	KNOX	221	25
		CHECKED - MPB	REVISED -			50VB		CONTRACT NO.89417		
		DATE - 9/9/2015	REVISED -			ILLINOIS FED. AID PROJECT				

PRELIMINARY
NOT FOR CONSTRUCTION

SUB-LOT 18
BLOCK 1

SUMNER STREET
TO BE CLOSED

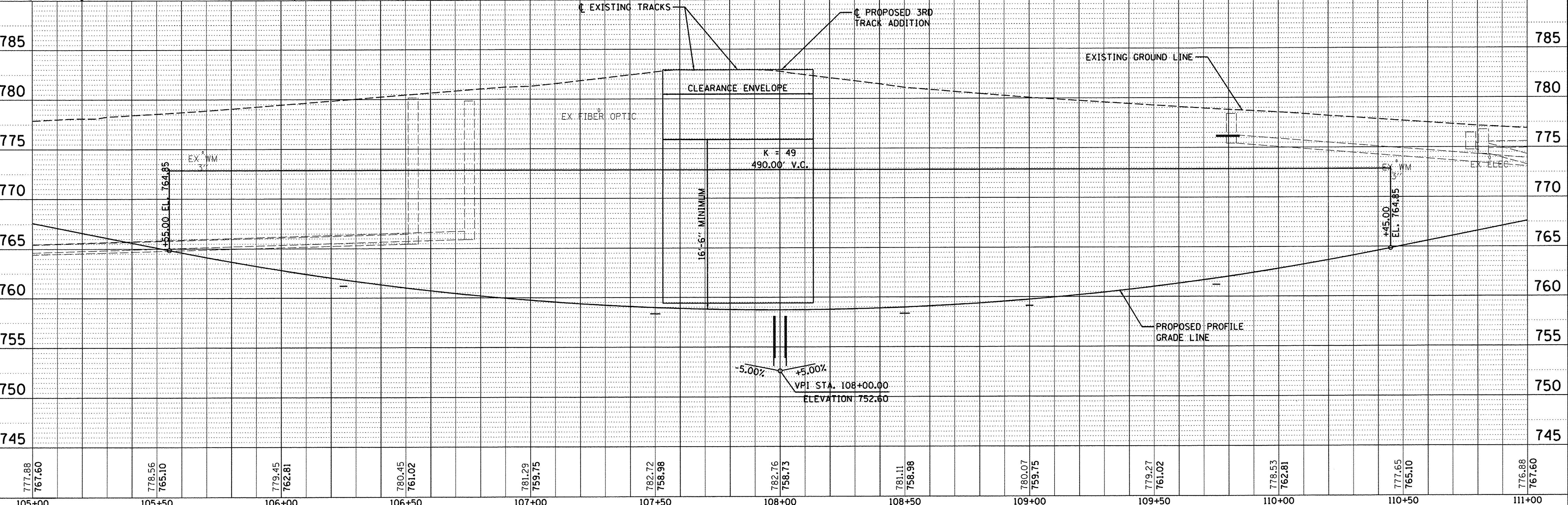
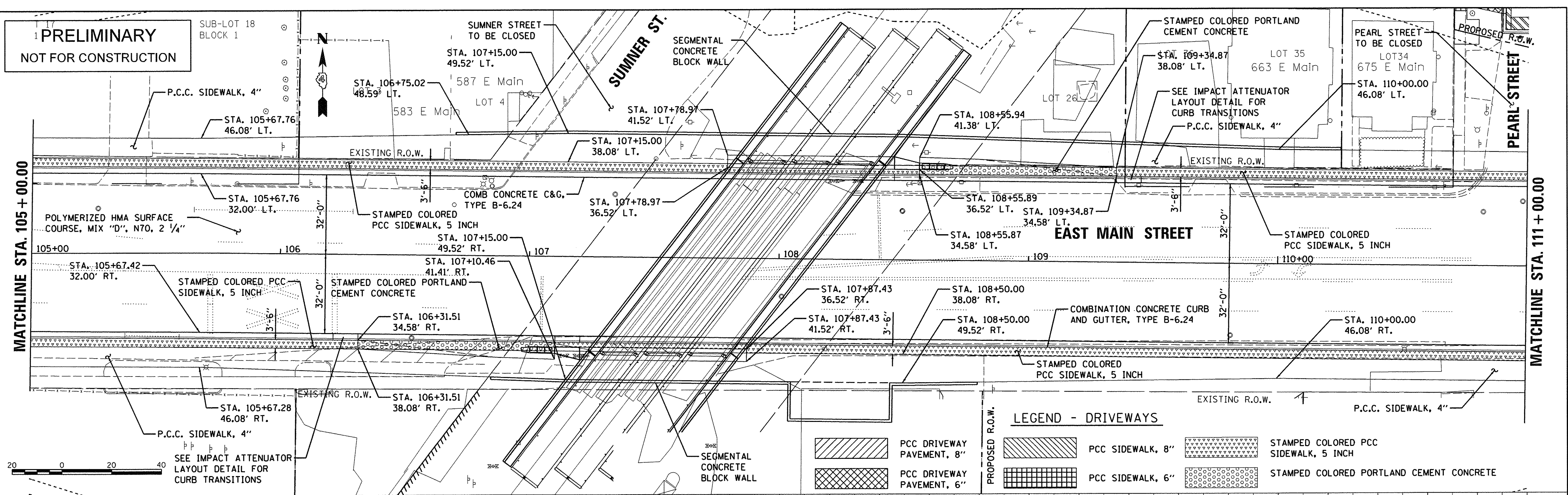
PEARL STREET
TO BE CLOSED

DATE	
BY	
SURVEYED	
PLANNED	
NOTED	
NO.	

HANSON
Professional Services Inc.

DATE	
BY	
SURVEYED	
PLANNED	
NOTED	
NO.	

DATE	2/11/14
BY	MPB
SURVEYED	
PLANNED	
NOTED	
NO.	



777.88	767.60	778.56	765.10	779.45	762.81	780.45	761.02	781.29	759.75	782.72	758.98	782.76	758.73	781.11	758.98	780.07	759.75	779.27	761.02	778.53	762.81	777.65	765.10	776.88	761.60
105+00		105+50		106+00		106+50		107+00		107+50		108+00		108+50		109+00		109+50		110+00		110+50		111+00	

STATE OF ILLINOIS
DEPARTMENT OF TRANSPORTATION

EAST MAIN STREET
PLAN AND PROFILE

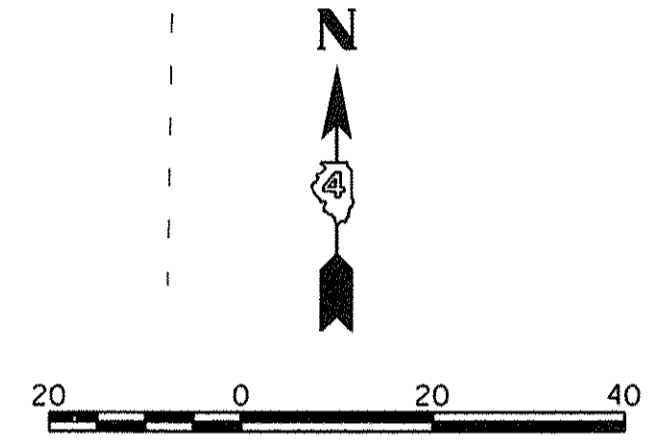
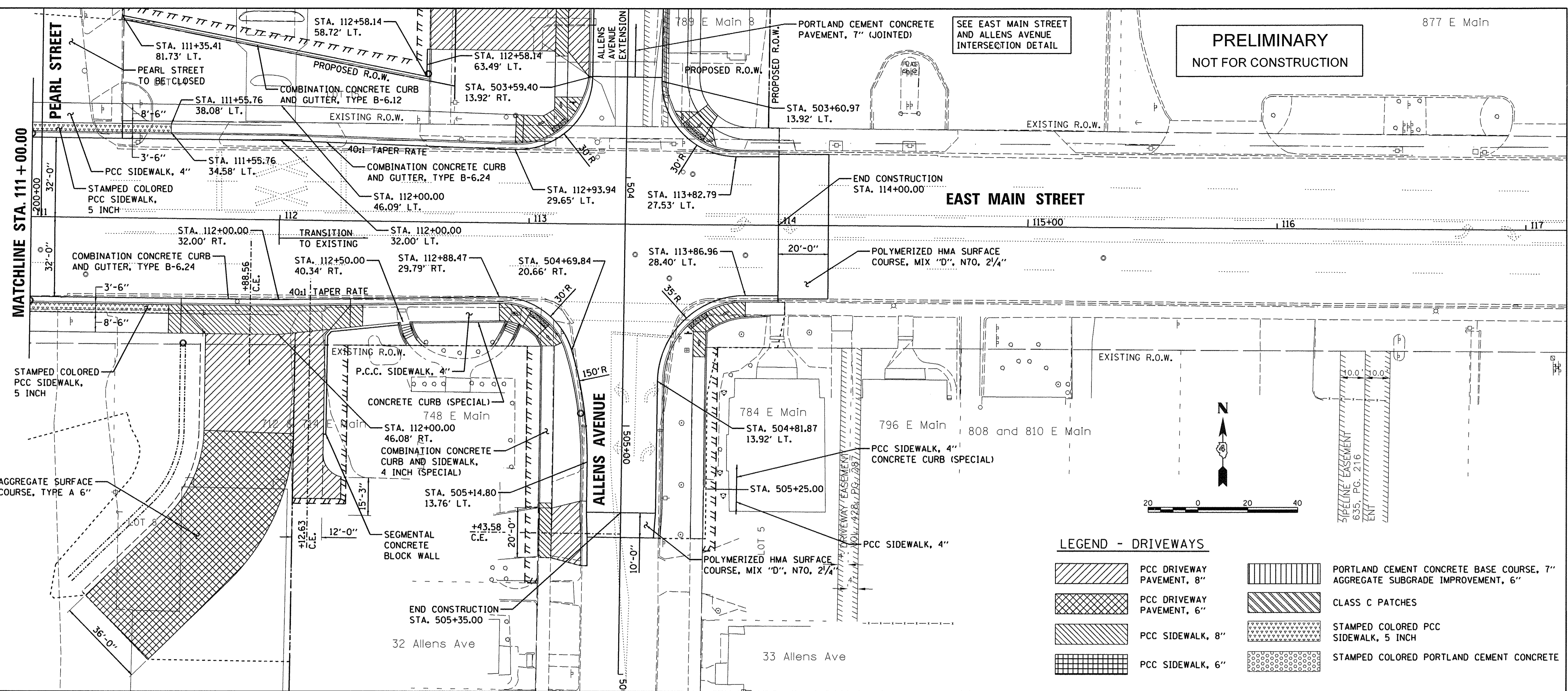
F.A.U. RTE.	SECTION	COUNTY	TOTAL SHEETS	SHEET NO.
6800	05-00500-19-GS	KNOX	221	26
50VB		CONTRACT NO.89417		

SCALE: 1"=20' SHEET NO. OF SHEETS STA. 105+00.00 TO STA. 111+00.00

ILLINOIS FED. AID PROJECT

PRELIMINARY
NOT FOR CONSTRUCTION

877 E Main



LEGEND - DRIVEWAYS

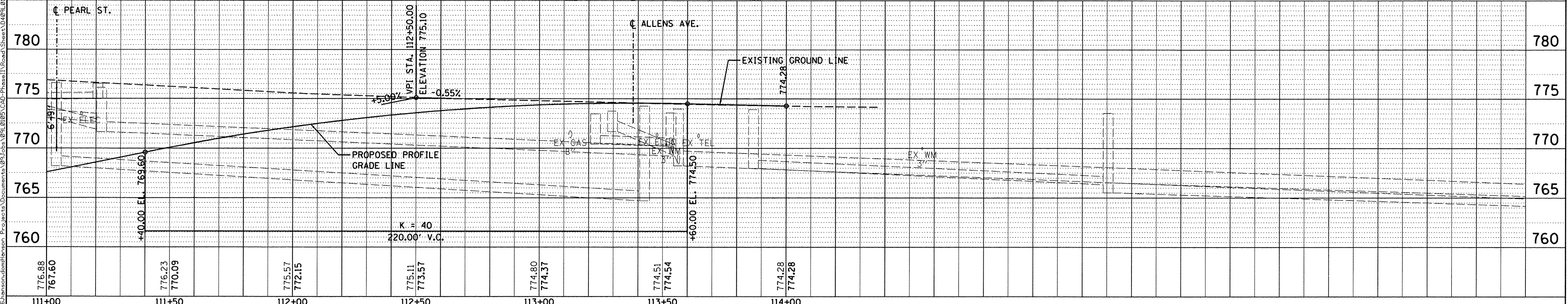
- PCC DRIVEWAY PAVEMENT, 8"
- PCC DRIVEWAY PAVEMENT, 6"
- PCC SIDEWALK, 8"
- PCC SIDEWALK, 6"
- PORTLAND CEMENT CONCRETE BASE COURSE, 7" AGGREGATE SUBGRADE IMPROVEMENT, 6"
- CLASS C PATCHES
- STAMPED COLORED PCC SIDEWALK, 5 INCH
- STAMPED COLORED PORTLAND CEMENT CONCRETE

PLAN	SURVEYED	DATE
	NOTED	
	PLOTTED	
	REVISIONS	
	BY	
	DATE	

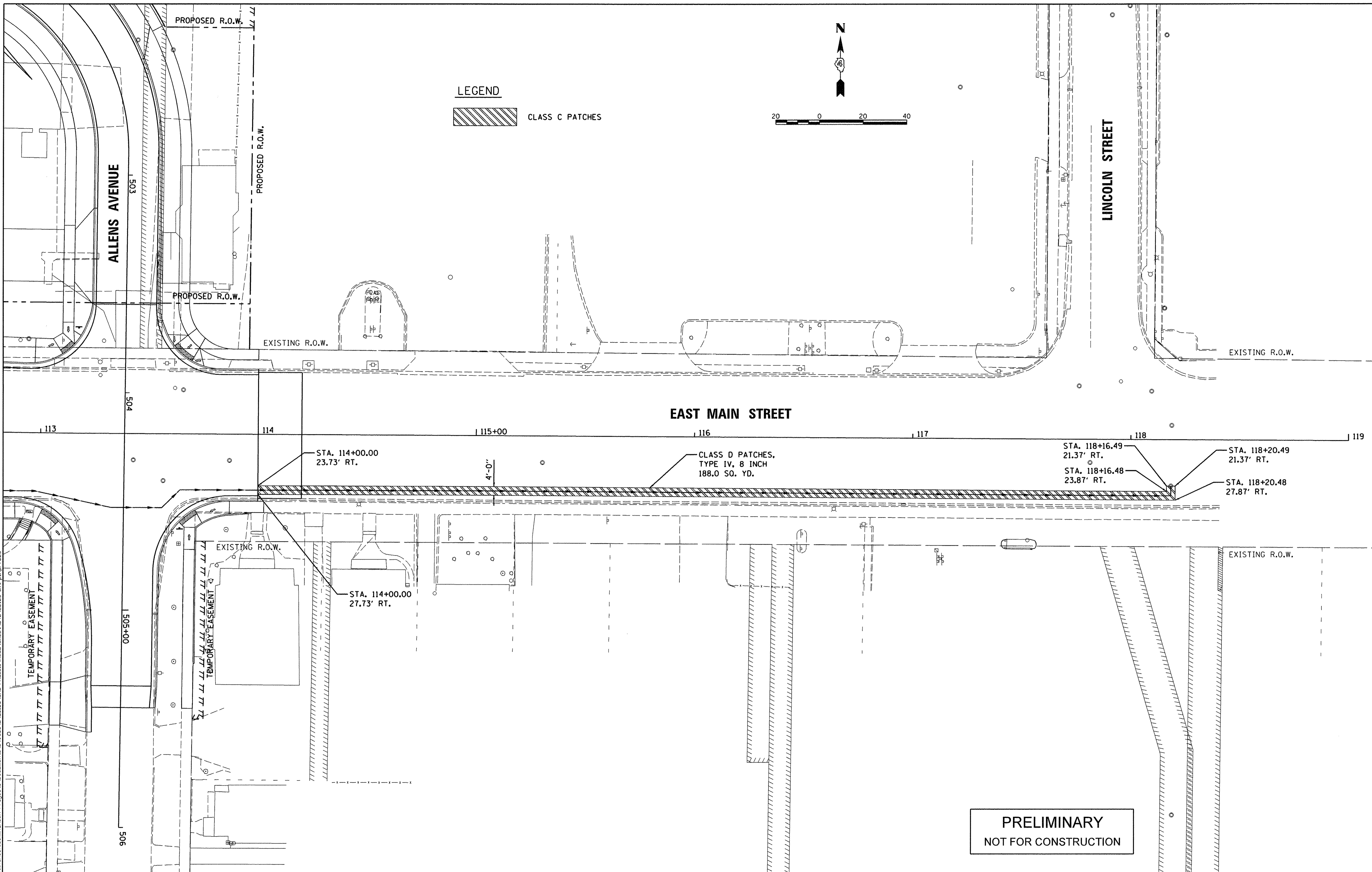
© Copyright Hanson Professional Services Inc. 2016
HANSON
Hanson Professional Services Inc.

PROFILE	SURVEYED	DATE
	NOTED	
	PLOTTED	
	REVISIONS	
	BY	
	DATE	

LAYOUT	2/11/14
DRAWN	5/27/15
REVIEWED	5/28/15
DATE	



FILE NAME =	USER NAME = andr00846	DESIGNED - RLA	REVISED -	STATE OF ILLINOIS DEPARTMENT OF TRANSPORTATION	EAST MAIN STREET PLAN AND PROFILE	F.A.U. RTE.	SECTION	COUNTY	TOTAL SHEETS	SHEET NO.
Drawn by	0105-sht-plnprf003.dgn	DRAWN - MGD	REVISED -			6800	05-00500-19-GS	KNOX	221	27
Plot Scale	PLOT SCALE = 20.00000 ' / in.	CHECKED - MPB	REVISED -			50VB		CONTRACT NO.89417		
Plot Date	PLOT DATE = 9/8/2015	DATE - 9/9/2015	REVISED -			SCALE: 1"=20'		SHEET OF SHEETS STA. 111+00.00 TO STA.114+00.00		ILLINOIS FED. AID PROJECT



PRELIMINARY
 NOT FOR CONSTRUCTION

LAYOUT	RLA	2/11/14
DRAWN	MPB	5/27/15
REVIEWED	MPB	5/28/15

FILE NAME = c:\pwise_work\do_not_delete\d0273754\049L0105-sht-plnprf006.dgn
 USER NAME = andr-00846
 PLOT SCALE = 20.0000' / 1" = 20:1
 PLOT DATE = 9/9/2015

DESIGNED	- RLA	REVISED	-
DRAWN	- MGD	REVISED	-
CHECKED	- MPB	REVISED	-
DATE	- 9/9/2015	REVISED	-

STATE OF ILLINOIS
DEPARTMENT OF TRANSPORTATION

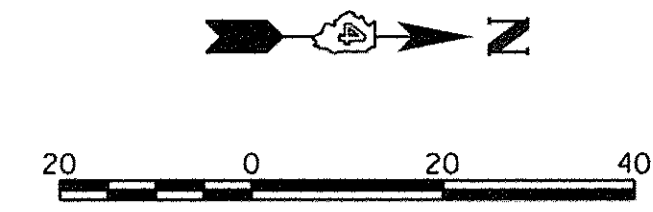
EAST MAIN STREET
ROADWAY PLAN (FORCE MAIN)

SCALE: N/A SHEET NO. OF SHEETS STA. TO STA.

F.A.U. RTE.	SECTION	COUNTY	TOTAL SHEETS	SHEET NO.
6800	05-00500-19-GS	KNOX	221	28
50VB		CONTRACT NO.89417		
FED. ROAD DIST. NO.		ILLINOIS FED. AID PROJECT		

U.S. POST OFFICE: 476 E. MAIN STREET
 CONTRACTOR MUST MAINTAIN INGRESS
 ACCESS THROUGH NORTHERLY ENTRANCE
 AT ALL TIMES DURING CONSTRUCTION.

SEE EAST MAIN STREET AND CHAMBERS
 STREET INTERSECTION DETAIL

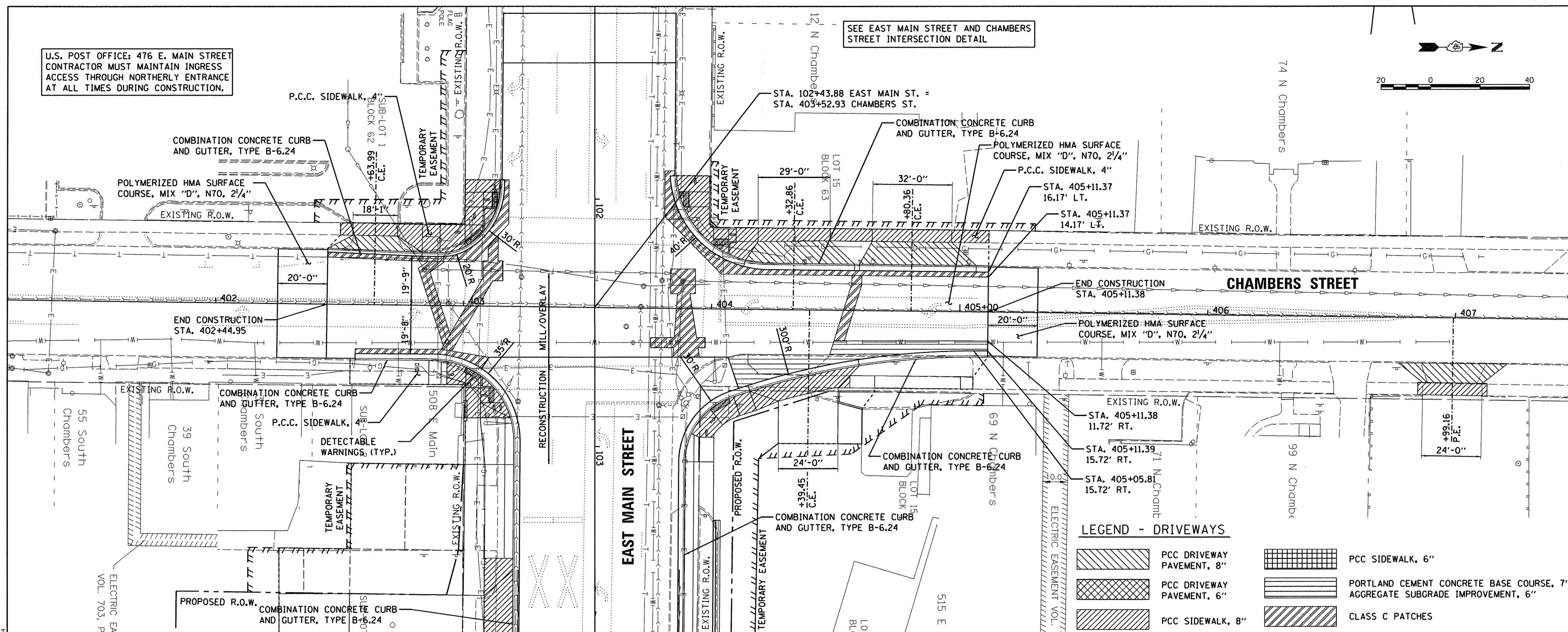


PLAN	SURVEYED	BY	DATE
	PLOTTED		
	NOTED		
	RT. OF WAY CHECKED		
	CADD FILE NAME		

© Copyright Hanson Professional Services Inc. 2015
HANSON
 Hanson Professional Services Inc.

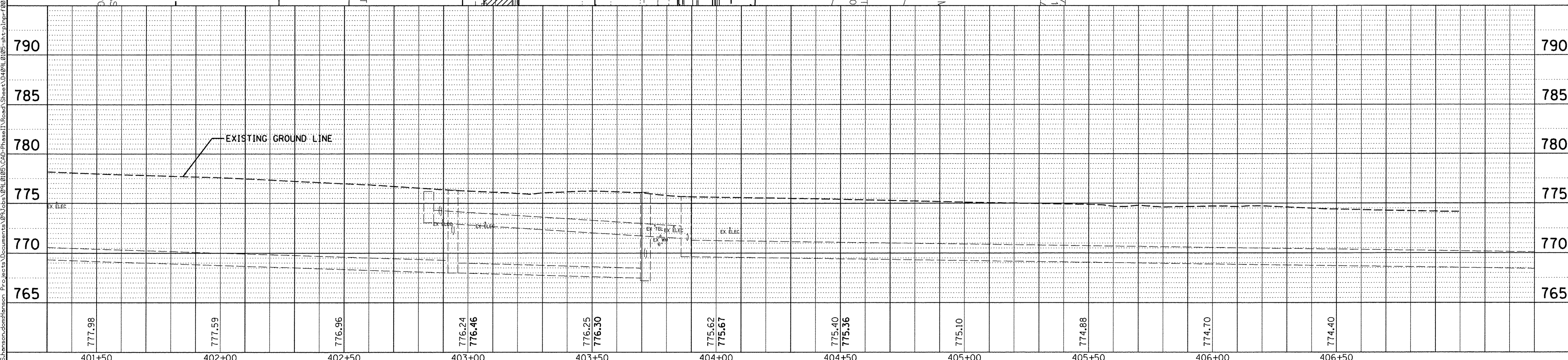
PROFILE	SURVEYED	BY	DATE
	PLOTTED		
	NOTED		
	RT. OF WAY CHECKED		
	STRUCTURE NOTATIONS CHECKED		

LAYOUT	2/1/14
DRAWN	MCD
REVIEWED	MPB
DATE	5/27/15



LEGEND - DRIVEWAYS

	PCC DRIVEWAY PAVEMENT, 8"		PCC SIDEWALK, 6"
	PCC DRIVEWAY PAVEMENT, 6"		PORTLAND CEMENT CONCRETE BASE COURSE, 7"
	PCC SIDEWALK, 8"		AGGREGATE SUBGRADE IMPROVEMENT, 6"
	CLASS C PATCHES		



FILE NAME =	USER NAME = andr00846	DESIGNED - RLA	REVISED -
PROJECT =	PROJECT =	DRAWN - MGD	REVISED -
SCALE = 20.0000' / 1"	SCALE =	CHECKED - MPB	REVISED -
DATE = 9/9/2015	DATE =	DATE - 9/9/2015	REVISED -

**STATE OF ILLINOIS
 DEPARTMENT OF TRANSPORTATION**

**CHAMBERS STREET
 PLAN AND PROFILE**

F.A.U. RTE.	SECTION	COUNTY	TOTAL SHEETS	SHEET NO.
6800	05-00500-19-GS	KNOX	221	29
	50VB		CONTRACT NO.89417	
ILLINOIS FED. AID PROJECT				

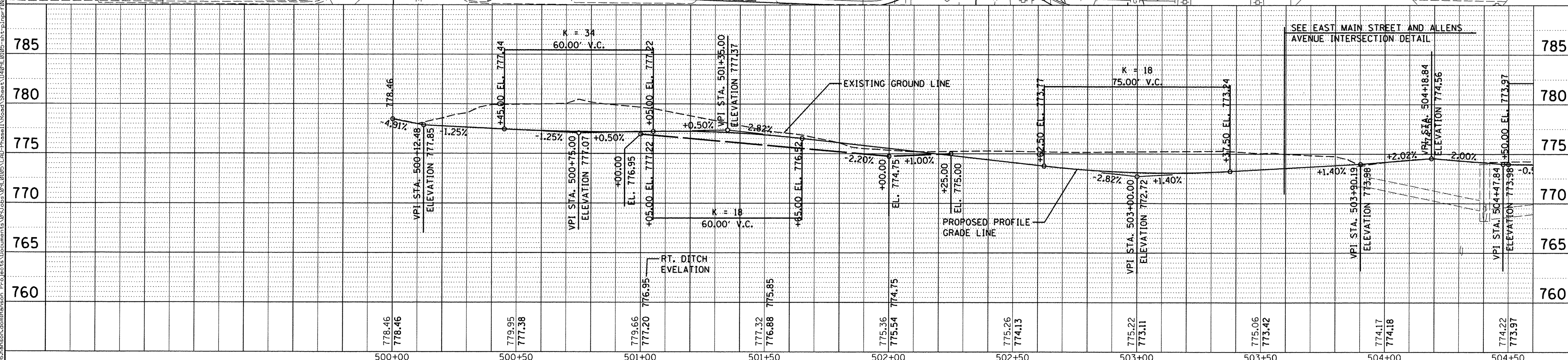
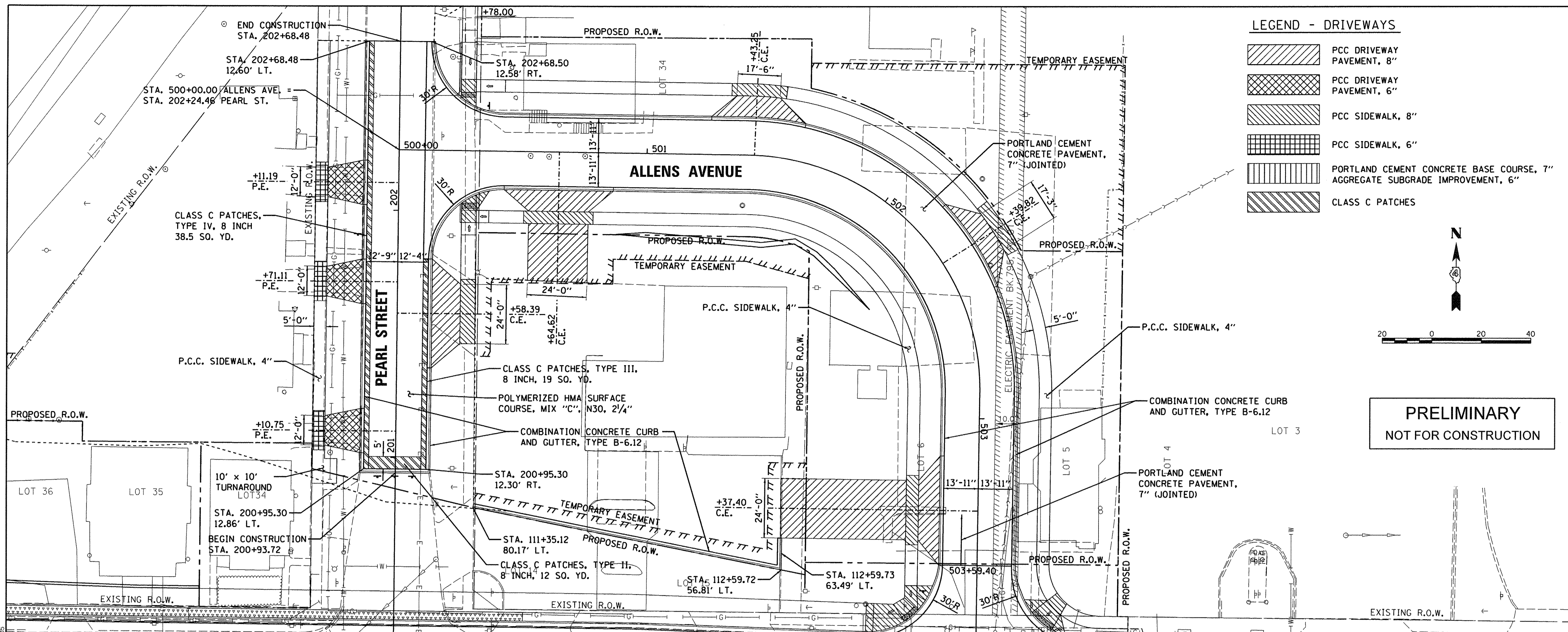
SCALE: 1"=20' SHEET OF SHEETS STA. 402+70.00 TO STA. 405+05.83

PLAN	DATE
SURVEYED	BY
PLOTTED	BY
NOTE BOOK	NO.
CADD FILE NAME	

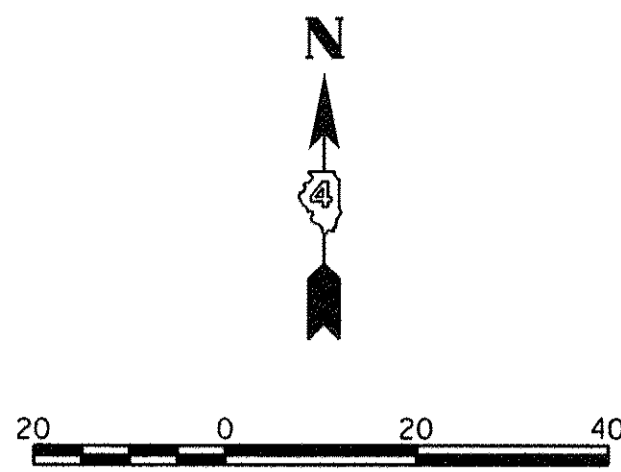
© Copyright Hanson Professional Services Inc. 2015
HANSON
 Hanson Professional Services Inc.

PROFILE	DATE
SURVEYED	BY
PLOTTED	BY
NOTE BOOK	NO.
STRUCTURE NOTATIONS	CHKD

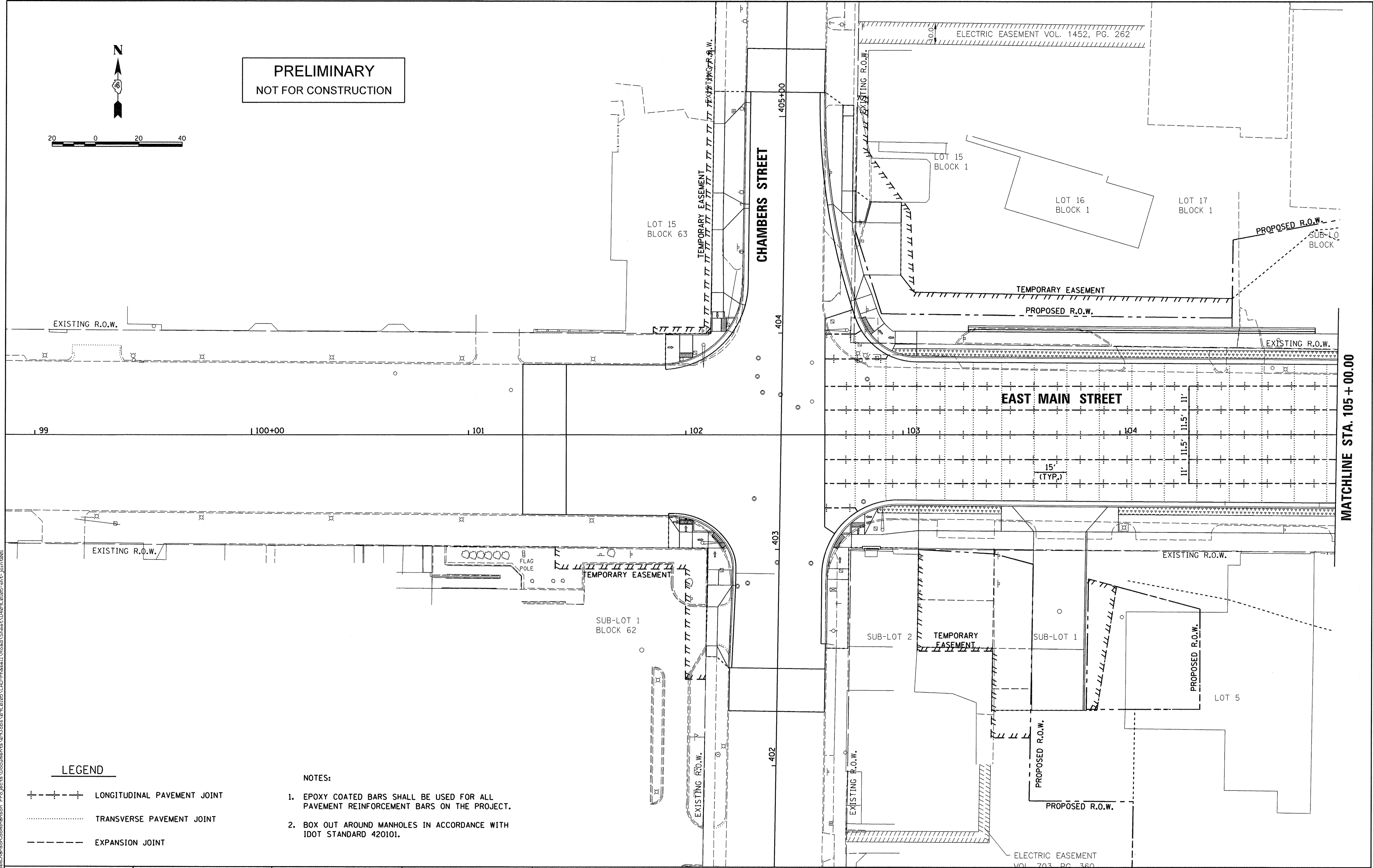
LAYOUT	DATE
DRAWN	BY
REVIEWED	BY
Default	



FILE NAME =	USER NAME = andr00846	DESIGNED - RLA	REVISED -	STATE OF ILLINOIS DEPARTMENT OF TRANSPORTATION	ALLENS AVENUE PLAN AND PROFILE	F.A.U. RTE. 6800	SECTION 05-00500-19-GS	COUNTY KNOX	TOTAL SHEETS 221	SHEET NO. 30
DRAWN - MGD	0105-shr-plnpr-f005.dgn	DRAWN - MGD	REVISED -			50VB	CONTRACT NO.89417			
REVIEWED - MPB	PLOT SCALE = 20.0000' / in.	CHECKED - MPB	REVISED -			ILLINOIS FED. AID PROJECT				
DATE - 9/9/2015	PLOT DATE = 9/8/2015	DATE - 9/9/2015	REVISED -			SCALE: 1"=20'	SHEET OF SHEETS STA. 500+00.00 TO STA. 503+59.40			



PRELIMINARY
 NOT FOR CONSTRUCTION



LEGEND

- +---+--- LONGITUDINAL PAVEMENT JOINT
- TRANSVERSE PAVEMENT JOINT
- EXPANSION JOINT

NOTES:

1. EPOXY COATED BARS SHALL BE USED FOR ALL PAVEMENT REINFORCEMENT BARS ON THE PROJECT.
2. BOX OUT AROUND MANHOLES IN ACCORDANCE WITH IDOT STANDARD 420101.

LAYOUT	RLA	2/11/14
DRAWN	MGD	5/27/15
REVIEWED	MPB	5/28/15

FILE NAME =	USER NAME = ender-00846
ct:\pwise_work\do_not_delete\0273754\0449\0105-sht-joint001.dgn	
PLOT SCALE = 20.0000' / 1"	
PLOT DATE = 9/8/2015	

DESIGNED - RLA	REVISED -
DRAWN - MGD	REVISED -
CHECKED - MPB	REVISED -
DATE - 9/9/2015	REVISED -

STATE OF ILLINOIS
DEPARTMENT OF TRANSPORTATION

EAST MAIN STREET
JOINTING PLAN

SCALE: 1"=20' SHEET NO. OF SHEETS STA. 101+45.00 TO STA. 105+00.00

F.A.U. RTE.	SECTION	COUNTY	TOTAL SHEETS	SHEET NO.
6800	05-00500-19-GS	KNOX	221	31
50VB		CONTRACT NO.89417		
FED. ROAD DIST. NO.		ILLINOIS FED. AID PROJECT		

MATCHLINE STA. 105+00.00

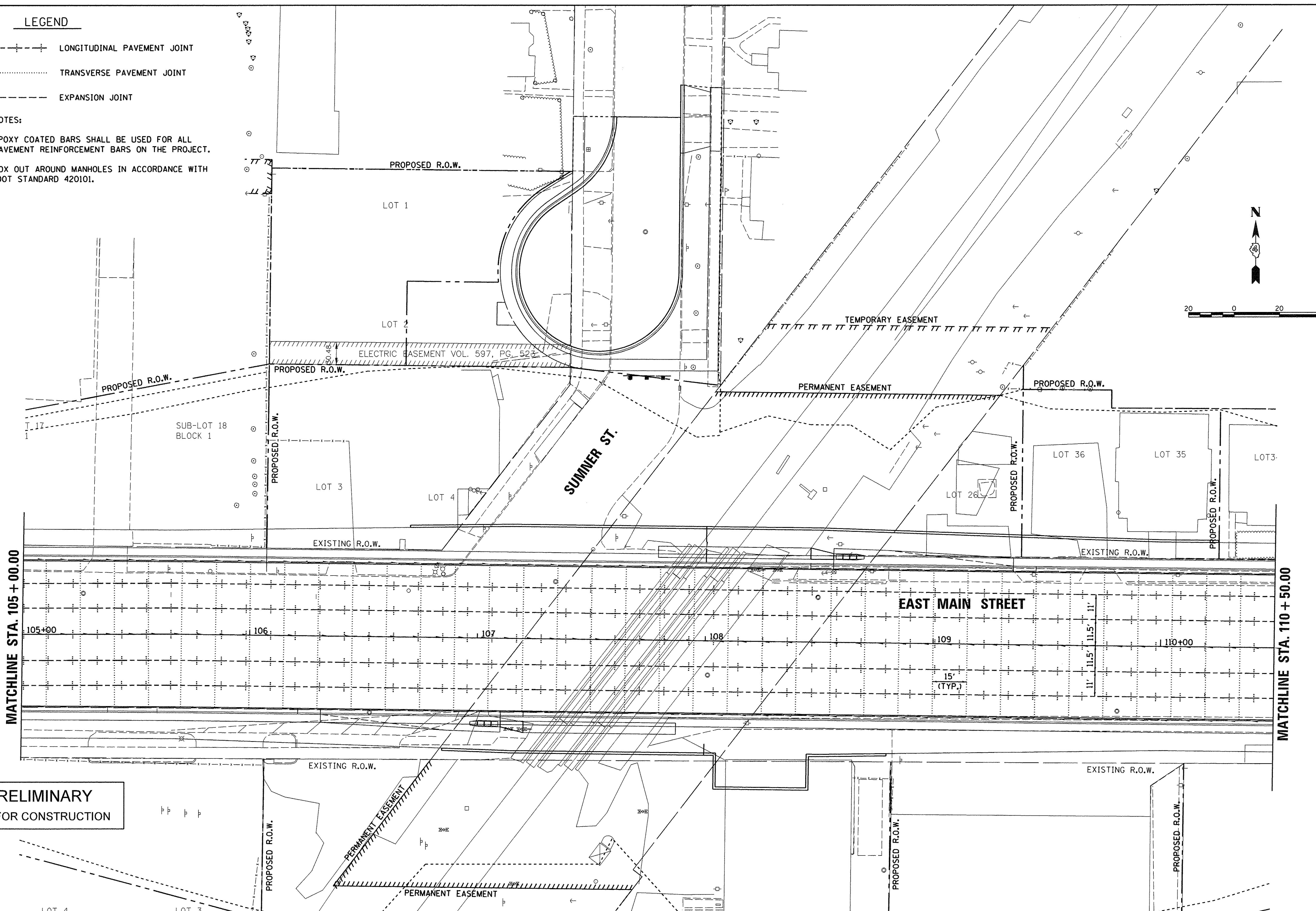
LEGEND

- +---+---+ LONGITUDINAL PAVEMENT JOINT
- TRANSVERSE PAVEMENT JOINT
- EXPANSION JOINT

NOTES:

1. EPOXY COATED BARS SHALL BE USED FOR ALL PAVEMENT REINFORCEMENT BARS ON THE PROJECT.
2. BOX OUT AROUND MANHOLES IN ACCORDANCE WITH IDOT STANDARD 420101.

© Copyright Hanson Professional Services Inc. 2015
HANSON
 Hanson Professional Services Inc.



MATCHLINE STA. 105 + 00.00

MATCHLINE STA. 110 + 50.00

PRELIMINARY
NOT FOR CONSTRUCTION

LAYOUT	2/11/14
DRAWN	5/27/15
REVIEWED	5/28/15

FILE NAME = c:\pwise_work\do_not_delete\d0273754\0449\0105-sht-join102.dgn
 USER NAME = andr00846
 PLOT SCALE = 20,0000 ' / in.
 PLOT DATE = 9/8/2015

DESIGNED - RLA
 DRAWN - MGD
 CHECKED - MPB
 DATE - 9/9/2015

REVISED -
 REVISED -
 REVISED -
 REVISED -

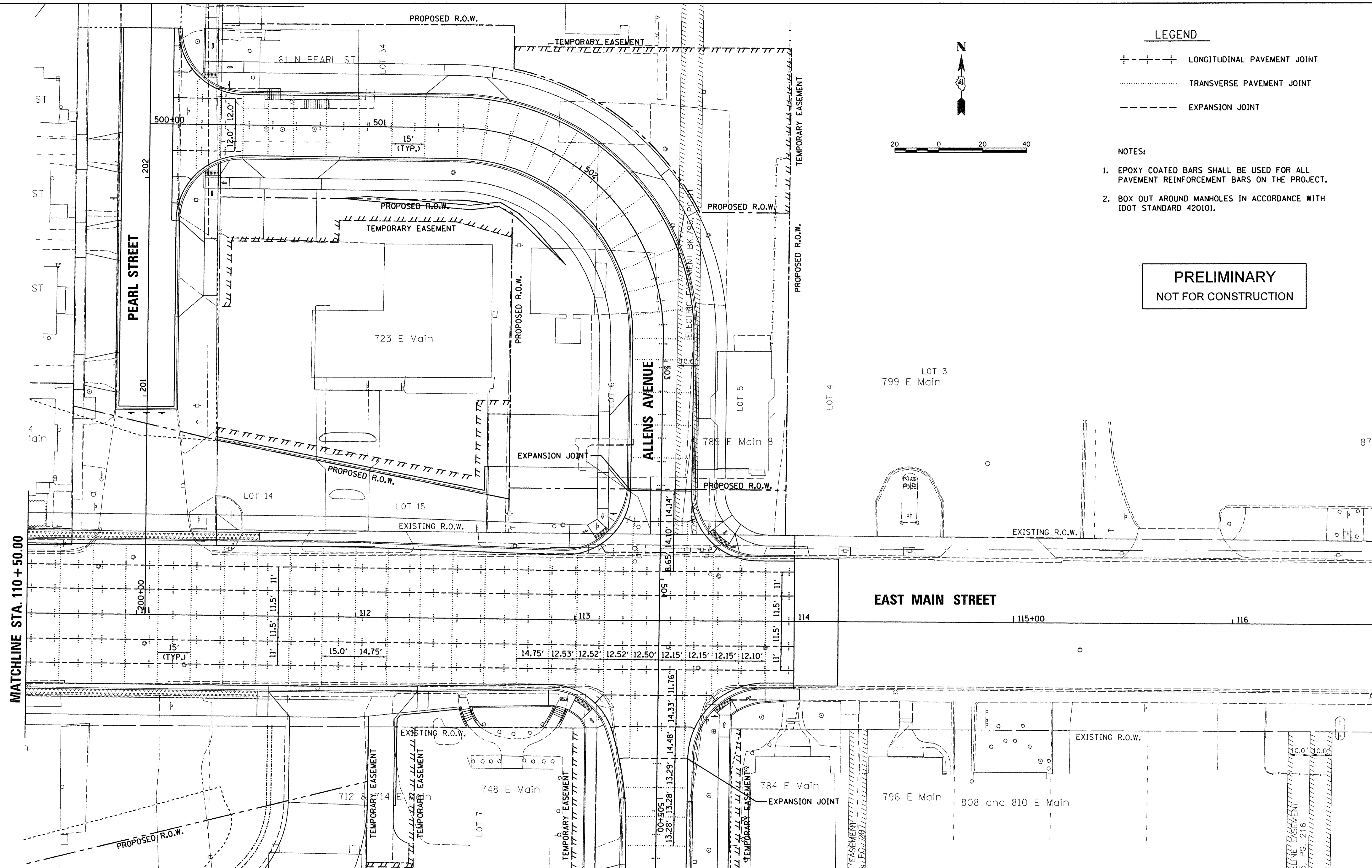
STATE OF ILLINOIS
DEPARTMENT OF TRANSPORTATION

EAST MAIN STREET
JOINTING PLAN

SCALE: 1"=20' SHEET NO. OF SHEETS STA. 105+00.00 TO STA. 110+00.00

F.A.U. RTE.	SECTION	COUNTY	TOTAL SHEETS	SHEET NO.
6800	05-00500-19-GS	KNOX	221	32
50VB		CONTRACT NO.89417		
FED. ROAD DIST. NO.		ILLINOIS FED. AID PROJECT		

MATCHLINE STA. 110 + 50.00



LEGEND

—+—+—+—	LONGITUDINAL PAVEMENT JOINT
.....	TRANSVERSE PAVEMENT JOINT
-----	EXPANSION JOINT

- NOTES:**
1. EPOXY COATED BARS SHALL BE USED FOR ALL PAVEMENT REINFORCEMENT BARS ON THE PROJECT.
 2. BOX OUT AROUND MANHOLES IN ACCORDANCE WITH IDOT STANDARD 420101.

PRELIMINARY
 NOT FOR CONSTRUCTION

LAYOUT	2/11/14
DRAWN	5/27/15
REVIEWED	5/28/15

FILE NAME =	USER NAME =	DESIGNED -	REVISED -
cr:\pwise_work\do_not_delete\10273754\10491\10105-sht-joinr103.dgn	ender00846	RLA	
PLOT SCALE = 20,0000' / 1"	CHECKED -	DRAWN -	REVISED -
PLOT DATE = 9/8/2015	DATE -	MPB	

STATE OF ILLINOIS
DEPARTMENT OF TRANSPORTATION

EAST MAIN STREET
JOINTING PLAN

SCALE: 1"=20' SHEET NO. OF SHEETS STA. 110+00.00 TO STA. 114+00.00

F.A.U. RTE.	SECTION	COUNTY	TOTAL SHEETS	SHEET NO.
6800	05-00500-19-GS	KNOX	221	33
50VB		CONTRACT NO.89417		
FED. ROAD DIST. NO.		ILLINOIS FED. AID PROJECT		



PRELIMINARY
NOT FOR CONSTRUCTION

MATCHLINE STA. 404 + 50.00

LOT 15
BLOCK 63

TEMPORARY EASEMENT
EXIST. R.O.W.

STA. 404+11.53
6.39' RT.

TEMPORARY EASEMENT
PROPOSED R.O.W.

EXISTING R.O.W.

STA. 103+90

MATCHLINE STA. 104 + 00.00

STA. 101+87.14
8.44' LT.

STA. 98+70.12
MATCH EXISTING

STA. 100+52.14
9.10' LT.

EXISTING R.O.W.

STA. 99+42.00
25.89' LT.

STA. 98+52.15
0.42' RT.

11'-0"

20'-0"

+87.10

STA. 101+57

11'-0"

+87.14

+92.14

50' R

50' R

5'-0"

15'-0"

11'-0"

11'-0"

1'-0"

STA. 100+52

STA. 101+05

11'-0"

5'-0"

50' R

50' R

6'-0"

6'-0"

11'-0"

11'-0"

15'-0"

1'-0"

STA. 98+52.15
MATCH EXISTING

STA. 99+29.73
25.67' RT.

EAST MAIN STREET

STA. 100+67.59

STA. 101+15.49

STA. 101+63.49

STA. 100+07.59
25.27' RT.

STA. 100+67.56

EXISTING R.O.W.

FLAG
POLE

TEMPORARY EASEMENT

SUB-LOT
BLOCK 63
STA. 402+93.17
2.01' LT.

SUB-LOT 2

SUB-LOT 1

TEMPORARY EASEMENT

EXISTING R.O.W.

PROPOSED R.O.W.

ELECTRIC EASEMENT
VOL. 703, PG. 360

CHAMBERS STREET

STA. 402+48

STA. 402+06

+63.18

STA. 401+63

STA. 401+13.17
1.78' LT.

+03.18

LEGEND

- ① WHITE-MODIFIED URETHANE STOP BAR PAVEMENT MARKING LINE - 12" SOLID
- ② WHITE-MODIFIED URETHANE PAVEMENT MARKING LINE - 8" SOLID
- ③ YELLOW-MODIFIED URETHANE PAVEMENT MARKING LINE - 12" (ON 45° ANGLE, 20' CTC)
- ④ WHITE-MODIFIED URETHANE PAVEMENT MARKING LINE - 12" (ON 45° ANGLE, 20' CTC)
- ⑤ YELLOW-MODIFIED URETHANE MARKING LINE - 10' LONG, 30' GAP - 4"
- ⑥ MODIFIED URETHANE PAVEMENT MARKING, LETTERS AND SYMBOLS (FOR LEFT AND RIGHT TURN LANE ONE ARROW 20' FROM FRONT OF STORAGE AND ONE ARROW AT BACK OF STORAGE AS SHOWN)
- ⑦ DOUBLE-YELLOW MODIFIED URETHANE PAVEMENT MARKING LINE - 4" SOLID, 4" GAP
- ⑧ YELLOW-MODIFIED URETHANE PAVEMENT MARKING LINE - 4" SOLID
- ⑨ WHITE-MODIFIED URETHANE PAVEMENT MARKING LINE - 8" (2' LONG, 6' GAP)
- ⑩ WHITE-MODIFIED URETHANE PAVEMENT MARKING LINE - 10' LONG, 30' GAP - 4"
- ⑪ WHITE-MODIFIED URETHANE PAVEMENT MARKING LINE - 6" SOLID
- ⑫ WHITE-MODIFIED URETHANE PAVEMENT MARKING LINE - 4" SOLID (EDGE LINE)
- ⑬ WHITE-MODIFIED URETHANE STOP BAR PAVEMENT MARKING LINE - 24" SOLID

HANSON
Professional Services Inc.

LAYOUT	RLA	2/11/14
DRAWN	MGD	5/27/15
REVIEWED	MPB	5/28/15

FILE NAME = c:\pwise_work\do_not_delete\0273754\049L0105-sht-pmk001.dgn

USER NAME = andr00846
PLOT SCALE = 20.0000' / 1 in.
PLOT DATE = 9/9/2015

DESIGNED - RLA
DRAWN - MGD
CHECKED - MPB
DATE - 9/9/2015

REVISED -
REVISED -
REVISED -
REVISED -

STATE OF ILLINOIS
DEPARTMENT OF TRANSPORTATION

EAST MAIN STREET
PAVEMENT MARKING AND SIGNING PLAN

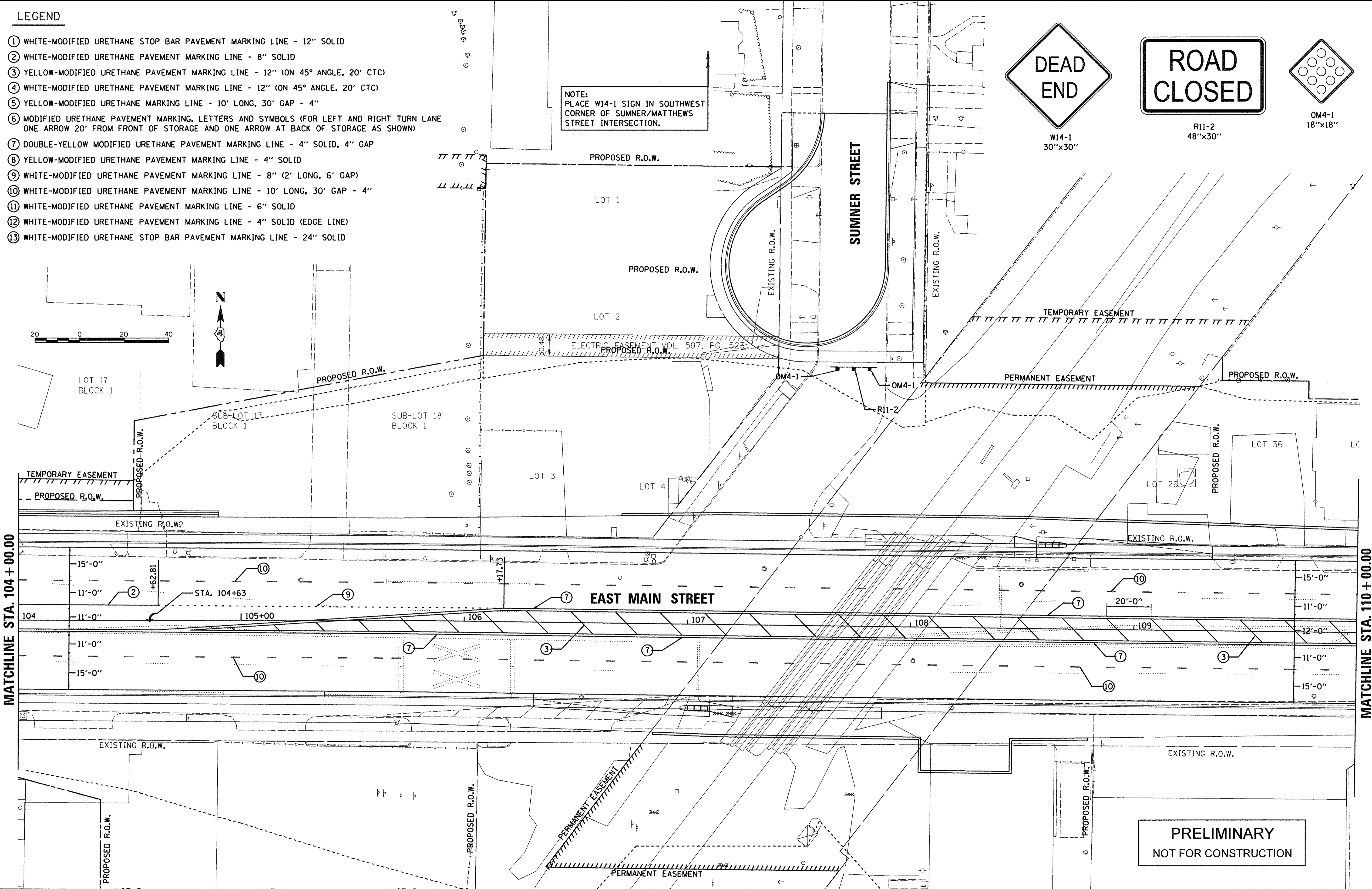
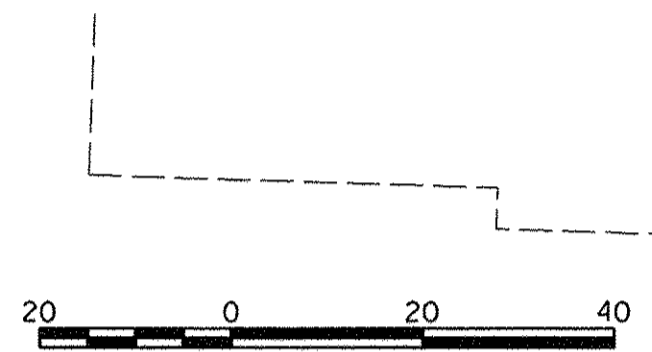
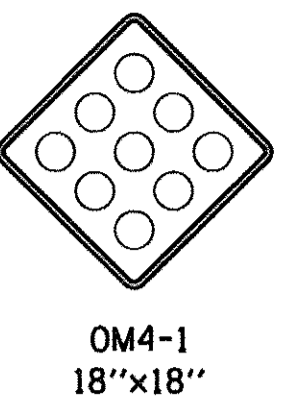
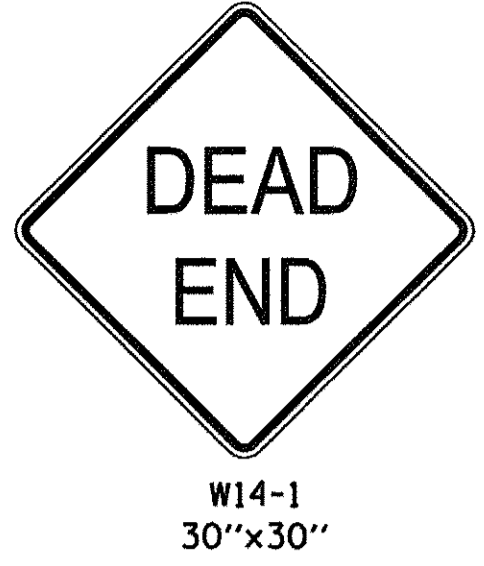
SCALE: 1"=20'
SHEET NO. OF SHEETS STA. 98+52.15 TO STA. 104+00.00

F.A.U. RTE.	SECTION	COUNTY	TOTAL SHEETS	SHEET NO.
6800	05-00500-19-GS	KNOX	221	34
50VB		CONTRACT NO.89417		
FED. ROAD DIST. NO.		ILLINOIS FED. AID PROJECT		

LEGEND

- ① WHITE-MODIFIED URETHANE STOP BAR PAVEMENT MARKING LINE - 12" SOLID
- ② WHITE-MODIFIED URETHANE PAVEMENT MARKING LINE - 8" SOLID
- ③ YELLOW-MODIFIED URETHANE PAVEMENT MARKING LINE - 12" (ON 45° ANGLE, 20' CTC)
- ④ WHITE-MODIFIED URETHANE PAVEMENT MARKING LINE - 12" (ON 45° ANGLE, 20' CTC)
- ⑤ YELLOW-MODIFIED URETHANE MARKING LINE - 10' LONG, 30' GAP - 4"
- ⑥ MODIFIED URETHANE PAVEMENT MARKING, LETTERS AND SYMBOLS (FOR LEFT AND RIGHT TURN LANE ONE ARROW 20' FROM FRONT OF STORAGE AND ONE ARROW AT BACK OF STORAGE AS SHOWN)
- ⑦ DOUBLE-YELLOW MODIFIED URETHANE PAVEMENT MARKING LINE - 4" SOLID, 4" GAP
- ⑧ YELLOW-MODIFIED URETHANE PAVEMENT MARKING LINE - 4" SOLID
- ⑨ WHITE-MODIFIED URETHANE PAVEMENT MARKING LINE - 8" (2' LONG, 6' GAP)
- ⑩ WHITE-MODIFIED URETHANE PAVEMENT MARKING LINE - 10' LONG, 30' GAP - 4"
- ⑪ WHITE-MODIFIED URETHANE PAVEMENT MARKING LINE - 6" SOLID
- ⑫ WHITE-MODIFIED URETHANE PAVEMENT MARKING LINE - 4" SOLID (EDGE LINE)
- ⑬ WHITE-MODIFIED URETHANE STOP BAR PAVEMENT MARKING LINE - 24" SOLID

NOTE:
PLACE W14-1 SIGN IN SOUTHWEST CORNER OF SUMNER/MATTHEWS STREET INTERSECTION.



PRELIMINARY
NOT FOR CONSTRUCTION

© Copyright Hanson Professional Services Inc. 2015
HANSON
 Hanson Professional Services Inc.

LAYOUT	RLA	2/11/14
DRAWN	MGD	5/27/15
REVIEWED	MPB	5/28/15

FILE NAME = c:\pwise_work\do_not_delete\0273754\049\0105-sht-pmk002.dgn

USER NAME = andr00846
 PLOT SCALE = 20,0000 ' / in.
 PLOT DATE = 9/8/2015

DESIGNED - RLA
 DRAWN - MGD
 CHECKED - MPB
 DATE - 9/9/2015

REVISED -
 REVISED -
 REVISED -
 REVISED -

STATE OF ILLINOIS
DEPARTMENT OF TRANSPORTATION

EAST MAIN STREET
PAVEMENT MARKING AND SIGNING PLAN

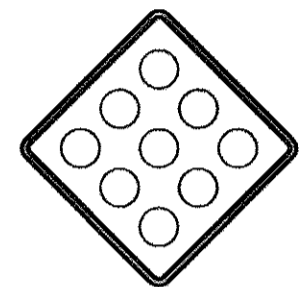
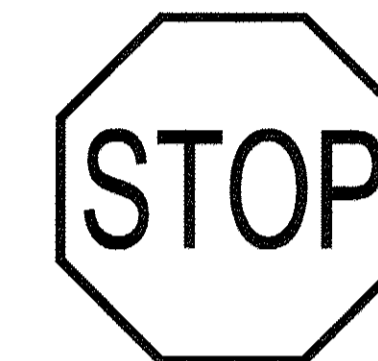
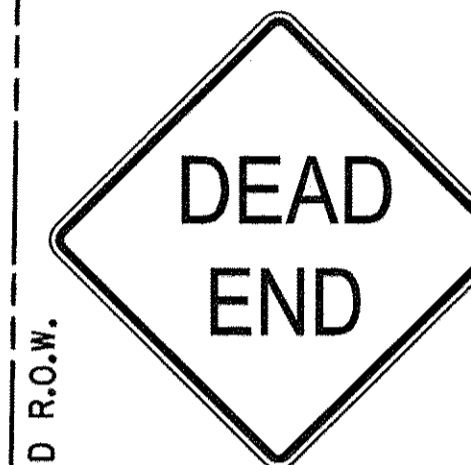
SCALE: 1"=20'

SHEET NO. OF SHEETS STA. 104+00.00 TO STA. 110+00.00

F.A.U. RTE.	SECTION	COUNTY	TOTAL SHEETS	SHEET NO.
6800	05-00500-19-GS	KNOX	221	35
50VB		CONTRACT NO.89417		
FED. ROAD DIST. NO.		ILLINOIS FED. AID PROJECT		

LEGEND

- ① WHITE-MODIFIED URETHANE STOP BAR PAVEMENT MARKING LINE - 12" SOLID
- ② WHITE-MODIFIED URETHANE PAVEMENT MARKING LINE - 8" SOLID
- ③ YELLOW-MODIFIED URETHANE PAVEMENT MARKING LINE - 12" (ON 45° ANGLE, 20' CTC)
- ④ WHITE-MODIFIED URETHANE PAVEMENT MARKING LINE - 12" (ON 45° ANGLE, 20' CTC)
- ⑤ YELLOW-MODIFIED URETHANE MARKING LINE - 10' LONG, 30' GAP - 4"
- ⑥ MODIFIED URETHANE PAVEMENT MARKING, LETTERS AND SYMBOLS (FOR LEFT AND RIGHT TURN LANE ONE ARROW 20' FROM FRONT OF STORAGE AND ONE ARROW AT BACK OF STORAGE AS SHOWN)
- ⑦ DOUBLE-YELLOW MODIFIED URETHANE PAVEMENT MARKING LINE - 4" SOLID, 4" GAP
- ⑧ YELLOW-MODIFIED URETHANE PAVEMENT MARKING LINE - 4" SOLID
- ⑨ WHITE-MODIFIED URETHANE PAVEMENT MARKING LINE - 8" (2' LONG, 6' GAP)
- ⑩ WHITE-MODIFIED URETHANE PAVEMENT MARKING LINE - 10' LONG, 30' GAP - 4"
- ⑪ WHITE-MODIFIED URETHANE PAVEMENT MARKING LINE - 6" SOLID
- ⑫ WHITE-MODIFIED URETHANE PAVEMENT MARKING LINE - 4" SOLID (EDGE LINE)
- ⑬ WHITE-MODIFIED URETHANE STOP BAR PAVEMENT MARKING LINE - 24" SOLID



W14-1
30"x30"

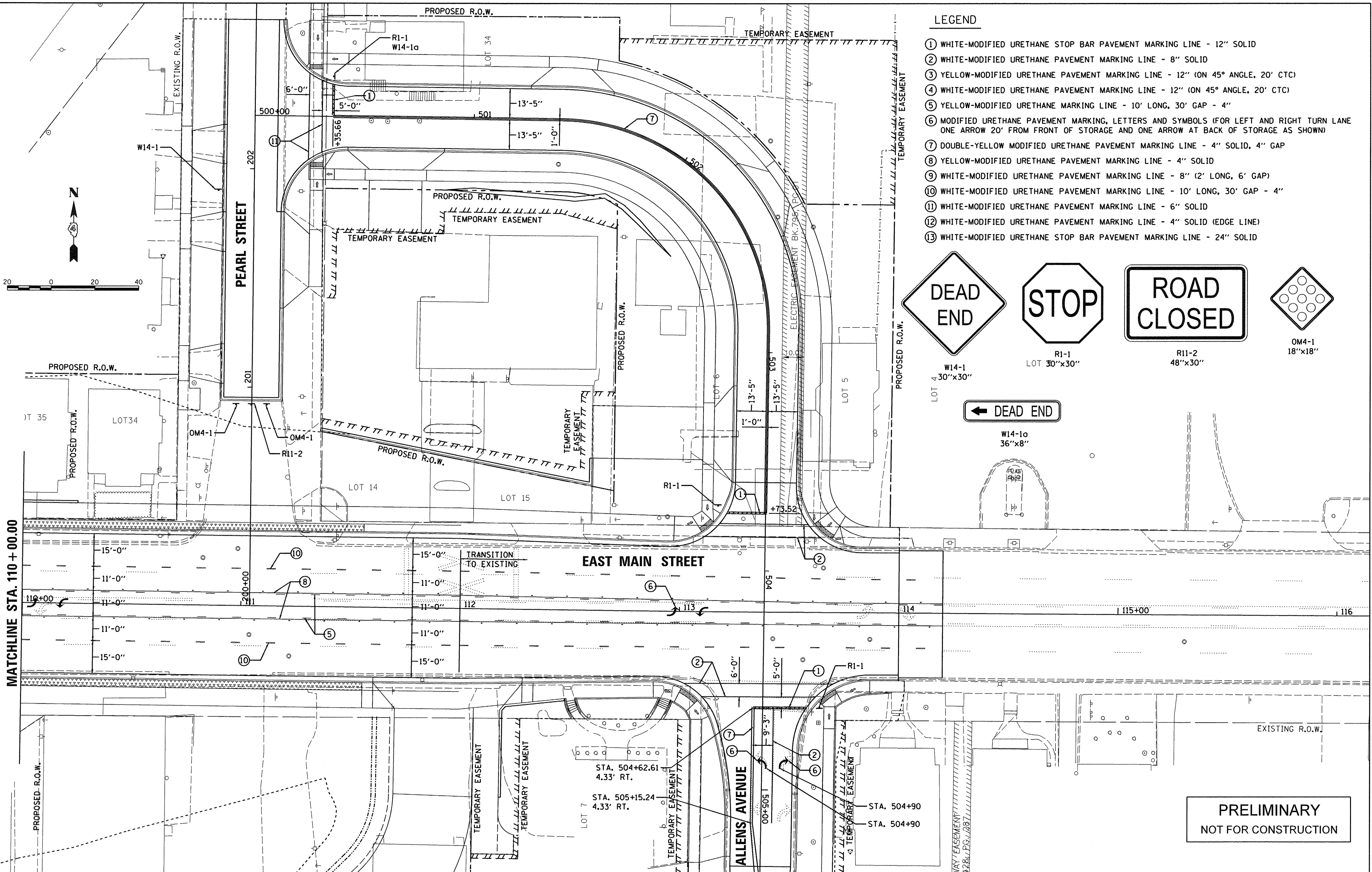
R1-1
LOT 30"x30"

R11-2
48"x30"

OM4-1
18"x18"



W14-1a
36"x8"



MATCHLINE STA. 110+00.00

PRELIMINARY
 NOT FOR CONSTRUCTION

LAYOUT	2/11/14
DRAWN	5/27/15
REVIEWED	5/28/15

FILE NAME =	USER NAME = ande-00846
c:\pwise_work\do_not_delete\0273754\049\9L0105-shr-pmk003.dgn	
PLOT SCALE = 28.0000' / 1"	
PLOT DATE = 9/8/2015	

DESIGNED - RLA	REVISED -
DRAWN - MGD	REVISED -
CHECKED - MPB	REVISED -
DATE - 9/9/2015	REVISED -

STATE OF ILLINOIS
DEPARTMENT OF TRANSPORTATION

EAST MAIN STREET
PAVEMENT MARKING AND SIGNING PLAN

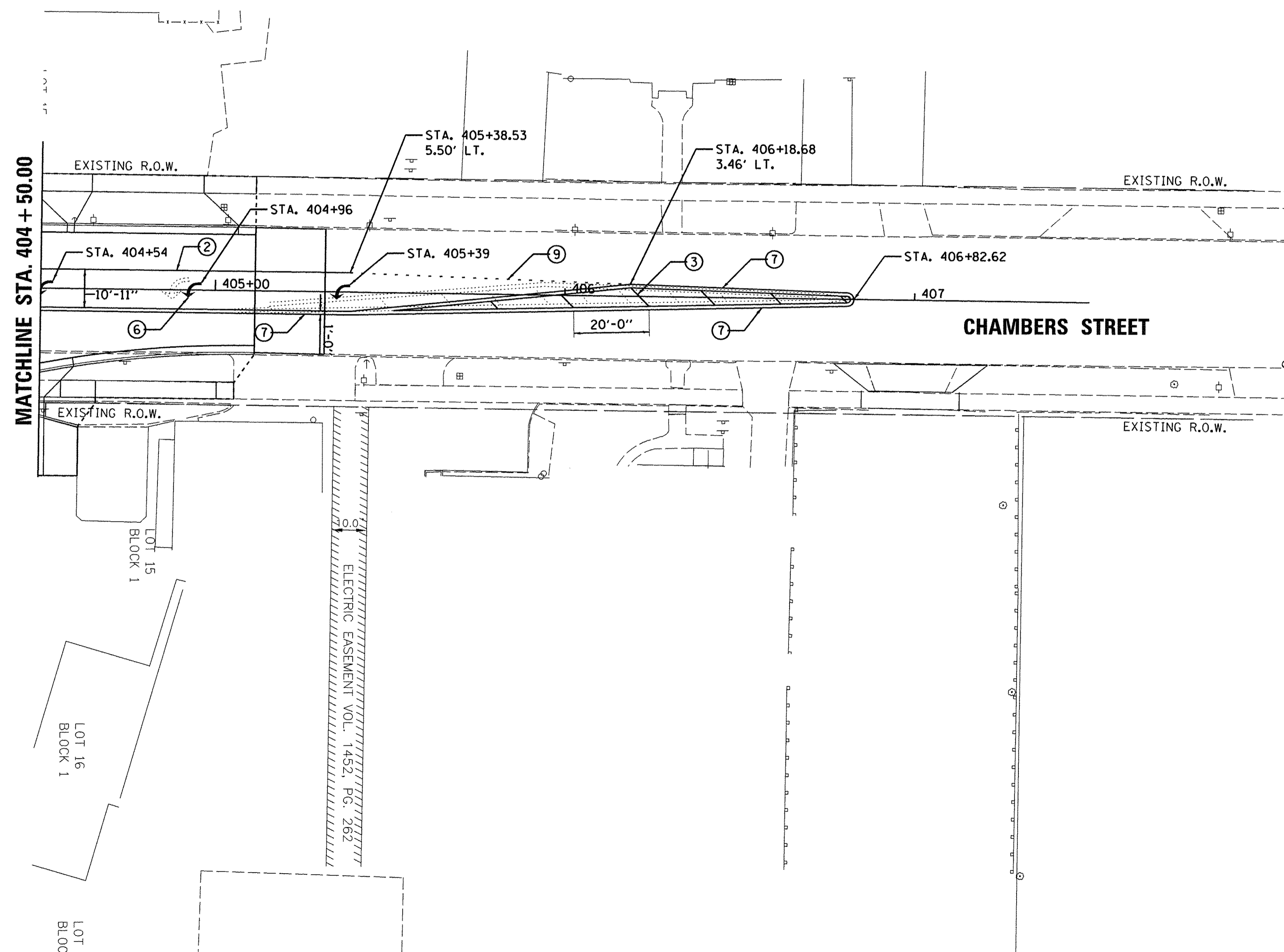
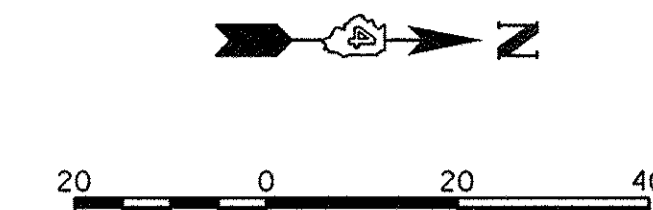
SCALE: 1"=20'

SHEET NO. OF SHEETS STA. 110+00.00 TO STA. 114+00.00

F.A.U. RTE.	SECTION	COUNTY	TOTAL SHEETS	SHEET NO.
6800	05-00500-19-GS	KNOX	221	36
50VB		CONTRACT NO.89417		
FED. ROAD DIST. NO. ILLINOIS FED. AID PROJECT				

LEGEND

- ① WHITE-MODIFIED URETHANE STOP BAR PAVEMENT MARKING LINE - 12" SOLID
- ② WHITE-MODIFIED URETHANE PAVEMENT MARKING LINE - 8" SOLID
- ③ YELLOW-MODIFIED URETHANE PAVEMENT MARKING LINE - 12" (ON 45° ANGLE, 20' CTC)
- ④ WHITE-MODIFIED URETHANE PAVEMENT MARKING LINE - 12" (ON 45° ANGLE, 20' CTC)
- ⑤ YELLOW-MODIFIED URETHANE MARKING LINE - 10' LONG, 30' GAP - 4"
- ⑥ MODIFIED URETHANE PAVEMENT MARKING, LETTERS AND SYMBOLS (FOR LEFT AND RIGHT TURN LANE ONE ARROW 20' FROM FRONT OF STORAGE AND ONE ARROW AT BACK OF STORAGE AS SHOWN)
- ⑦ DOUBLE-YELLOW MODIFIED URETHANE PAVEMENT MARKING LINE - 4" SOLID, 4" GAP
- ⑧ YELLOW-MODIFIED URETHANE PAVEMENT MARKING LINE - 4" SOLID
- ⑨ WHITE-MODIFIED URETHANE PAVEMENT MARKING LINE - 4" SOLID
- ⑩ DOUBLE-YELLOW MODIFIED URETHANE PAVEMENT MARKING LINE - 4" SOLID, 16" GAP
- ⑪ WHITE-MODIFIED URETHANE PAVEMENT MARKING LINE - 6" SOLID
- ⑫ WHITE-MODIFIED URETHANE PAVEMENT MARKING LINE - 4" SOLID (EDGE LINE)
- ⑬ WHITE-MODIFIED URETHANE STOP BAR PAVEMENT MARKING LINE - 24" SOLID



PRELIMINARY
NOT FOR CONSTRUCTION

© Copyright Hanson Professional Services Inc. 2015
HANSON
Hanson Professional Services Inc.

LAYOUT	RLA	2/11/14
DRAWN	MGD	5/27/15
REVIEWED	MPB	5/28/15

FILE NAME = c:\pwise_work\do_not_delete\0273754\049\0105-sht-pmk004.dgn
USER NAME = ender00846
DESIGNED - RLA
DRAWN - MGD
CHECKED - MPB
PLOT DATE = 9/8/2015

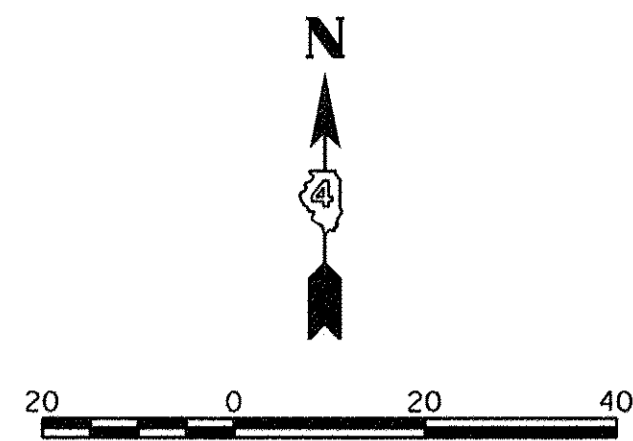
DESIGNED - RLA	REVISED -
DRAWN - MGD	REVISED -
CHECKED - MPB	REVISED -
DATE - 9/9/2015	REVISED -

STATE OF ILLINOIS
DEPARTMENT OF TRANSPORTATION

CHAMBERS STREET
PAVEMENT MARKING AND SIGNING PLAN

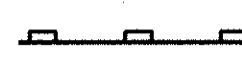

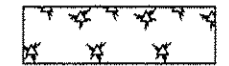
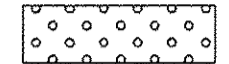
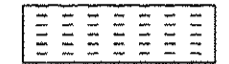
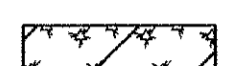

SCALE: 1"=20'
SHEET NO. OF SHEETS STA. 110+00.00 TO STA. 114+00.00

F.A.U. RTE.	SECTION	COUNTY	TOTAL SHEETS	SHEET NO.
6800	05-00500-19-GS	KNOX	221	37
50VB		CONTRACT NO.89417		
FED. ROAD DIST. NO.		ILLINOIS FED. AID PROJECT		



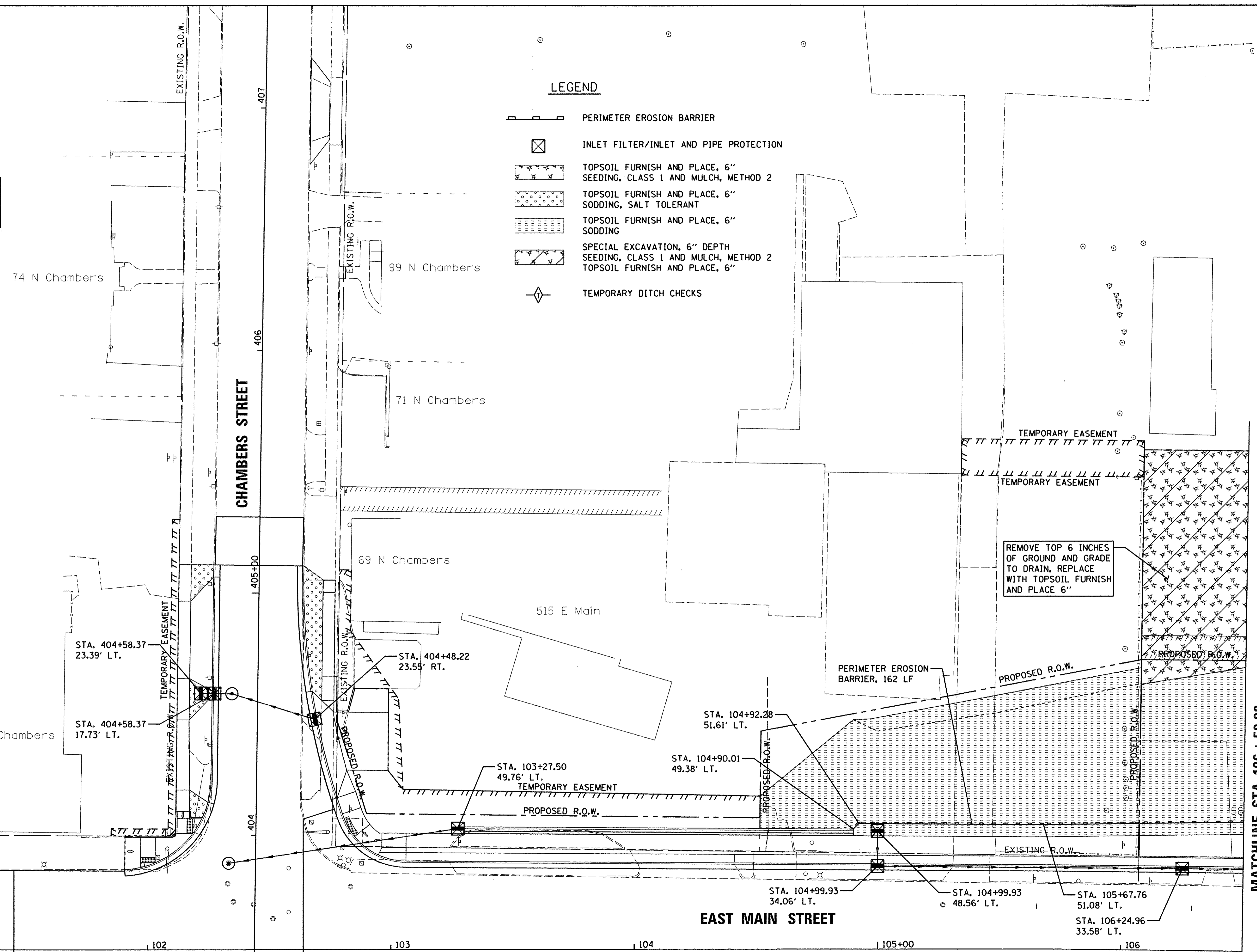
PRELIMINARY
NOT FOR CONSTRUCTION

LEGEND

-  PERIMETER EROSION BARRIER
-  INLET FILTER/INLET AND PIPE PROTECTION
-  TOPSOIL FURNISH AND PLACE, 6" SEEDING, CLASS 1 AND MULCH, METHOD 2
-  TOPSOIL FURNISH AND PLACE, 6" SODDING, SALT TOLERANT
-  TOPSOIL FURNISH AND PLACE, 6" SODDING
-  SPECIAL EXCAVATION, 6" DEPTH SEEDING, CLASS 1 AND MULCH, METHOD 2 TOPSOIL FURNISH AND PLACE, 6"
-  TEMPORARY DITCH CHECKS

© Copyright Hanson Professional Services Inc. 2015
HANSON
 Hanson Professional Services Inc.

c:\pwise_work\do_not_delete\0273754\044910105-sht-eros001.dgn
 PROJECTS\Documents\09\Jobs\09\0105\CAD-Phase1\Road\Sheet\044910105-sht-eros001



MATCHLINE STA. 106 + 50.00

LAYOUT	RLA	2/11/14
DRAWN	MGD	5/27/15
REVIEWED	MPB	5/28/15

FILE NAME =	USER NAME = andr-00846	DESIGNED - RLA	REVISED -
c:\pwise_work\do_not_delete\0273754\044910105-sht-eros001.dgn		DRAWN - MGD	REVISED -
	PLOT SCALE = 20,0000' / 1" =	CHECKED - MPB	REVISED -
	PLOT DATE = 9/8/2015	DATE - 9/9/2015	REVISED -

STATE OF ILLINOIS
DEPARTMENT OF TRANSPORTATION

EAST MAIN STREET
EROSION CONTROL PLAN

SCALE: 1"=20'

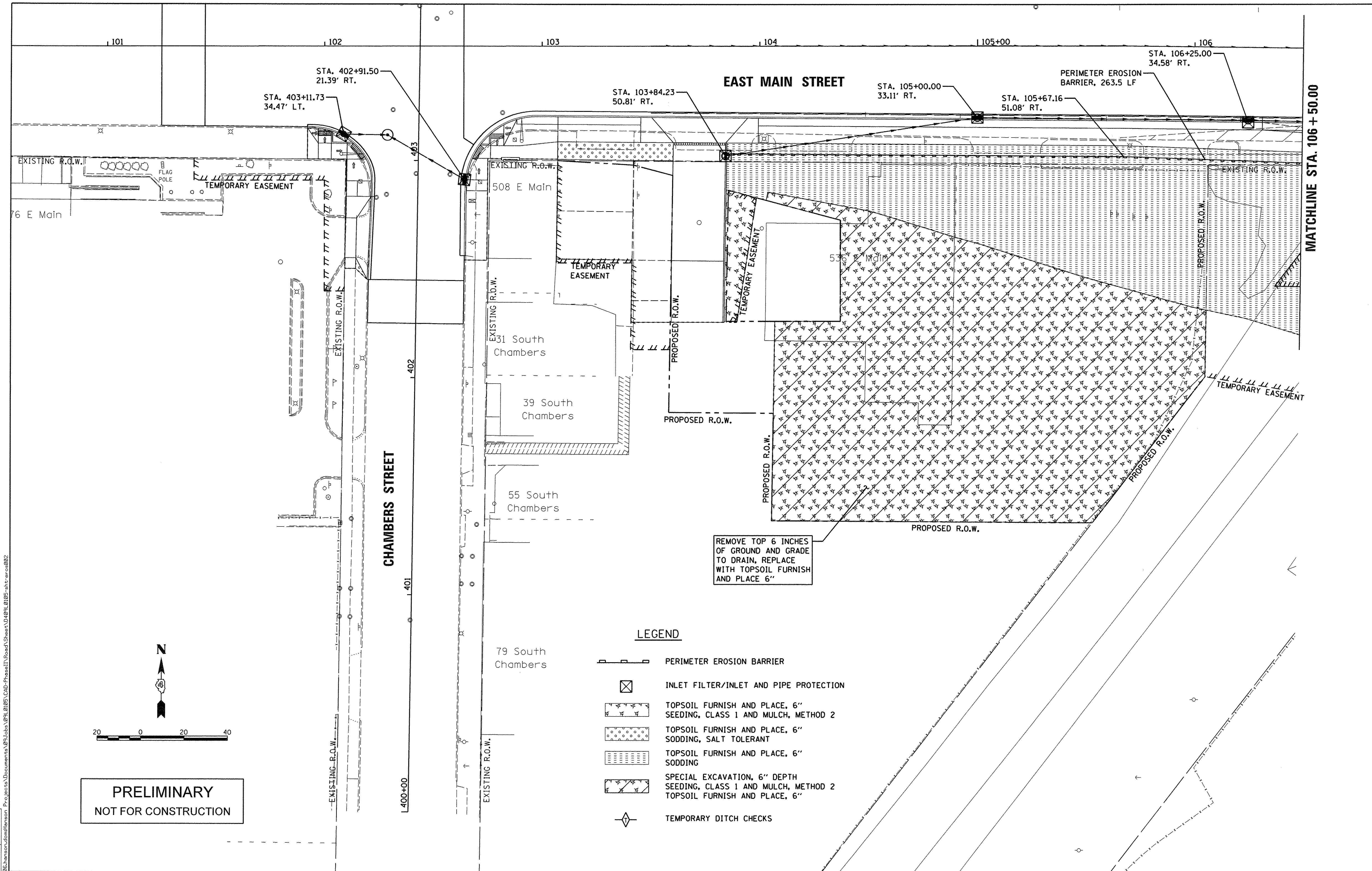
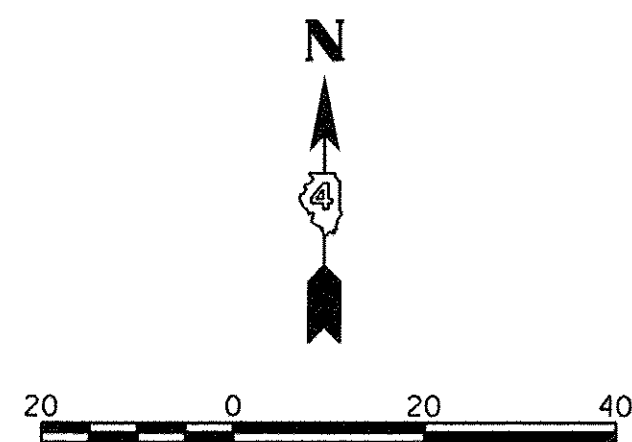
SHEET NO. OF SHEETS STA. 101+45.00 TO STA. 106+50.00

F.A.U. RTE.	SECTION	COUNTY	TOTAL SHEETS	SHEET NO.
6800	05-00500-19-GS	KNOX	221	38
50VB		CONTRACT NO.89417		
FED. ROAD DIST. NO.		ILLINOIS FED. AID PROJECT		

FILE NAME = c:\pwise_work\do_not_delete\0273754\04\9L0105-sht-eros02.dgn
 USER NAME = onder02846
 DESIGNED - RLA
 DRAWN - MGD
 CHECKED - MPB
 DATE - 9/9/2015
 REVISED -
 REVISED -
 REVISED -
 REVISED -

LAYOUT	RLA	2/11/14
DRAWN	MGD	5/27/15
REVIEWED	MPB	5/28/15

PRELIMINARY
 NOT FOR CONSTRUCTION



- LEGEND**
- PERIMETER EROSION BARRIER
 - INLET FILTER/INLET AND PIPE PROTECTION
 - TOPSOIL FURNISH AND PLACE, 6"
SEEDING, CLASS 1 AND MULCH, METHOD 2
 - TOPSOIL FURNISH AND PLACE, 6"
SODDING, SALT TOLERANT
 - TOPSOIL FURNISH AND PLACE, 6"
SODDING
 - SPECIAL EXCAVATION, 6" DEPTH
SEEDING, CLASS 1 AND MULCH, METHOD 2
TOPSOIL FURNISH AND PLACE, 6"
 - TEMPORARY DITCH CHECKS

STATE OF ILLINOIS
DEPARTMENT OF TRANSPORTATION

EAST MAIN STREET
EROSION CONTROL PLAN

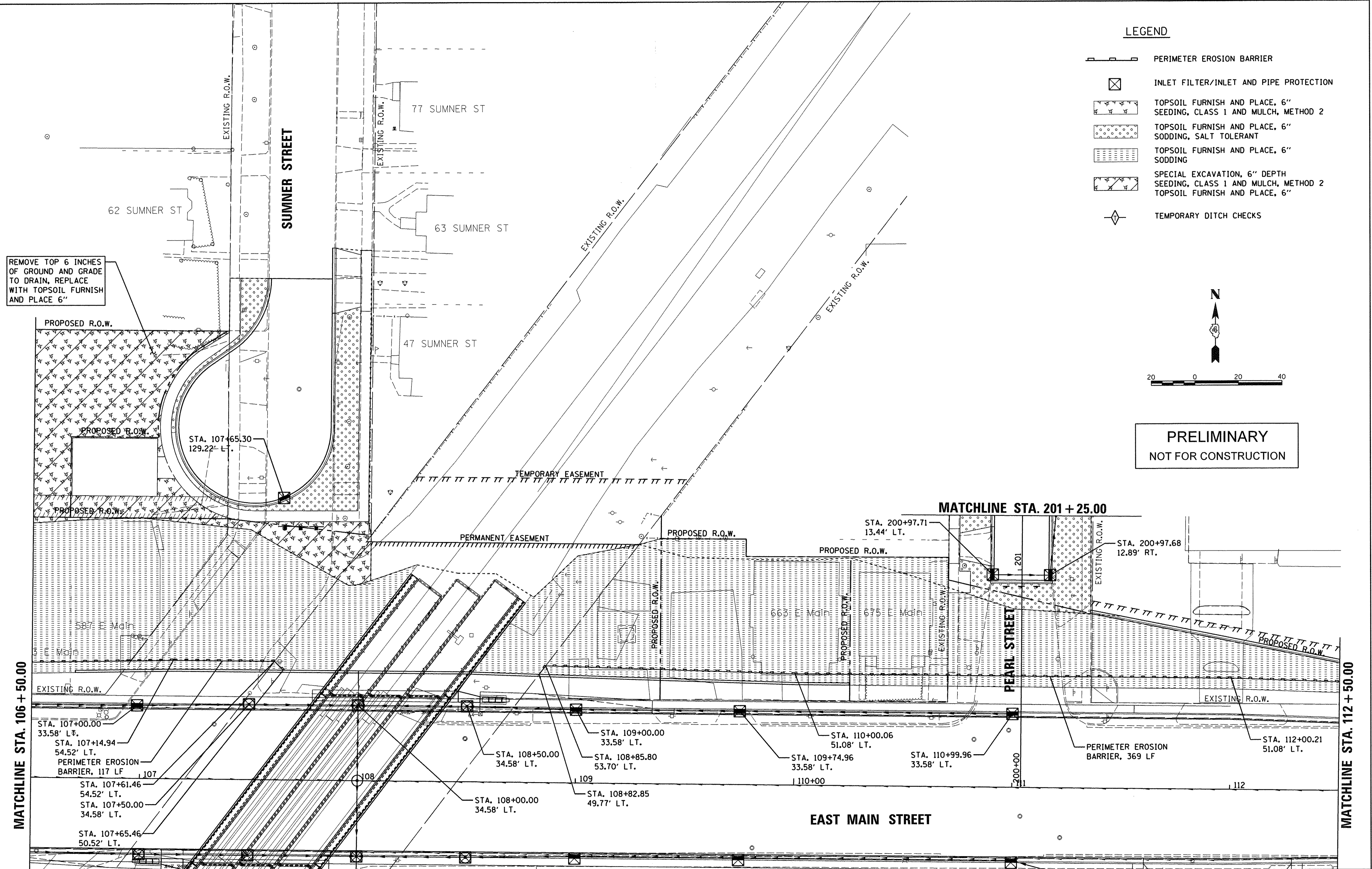
SCALE: 1"=20' SHEET NO. OF SHEETS STA. 101+45.00 TO STA. 106+50.00

F.A.U. RTE.	SECTION	COUNTY	TOTAL SHEETS	SHEET NO.
6800	05-00500-19-GS	KNOX	221	39
50VB		CONTRACT NO.89417		
FED. ROAD DIST. NO.		ILLINOIS FED. AID PROJECT		

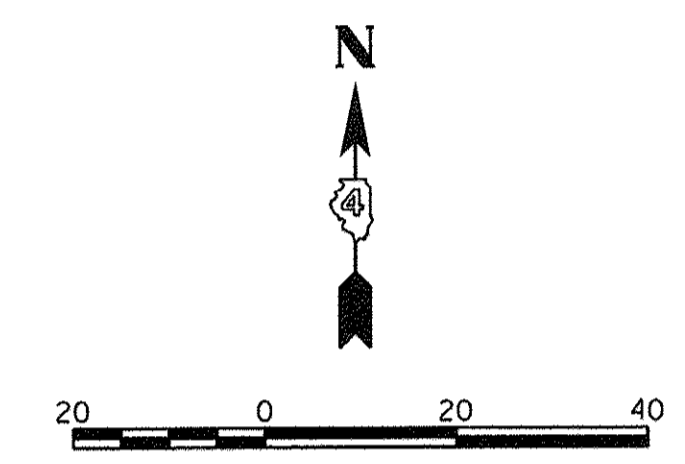
MATCHLINE STA. 106 + 50.00

FILE NAME = c:\pwise\work\do_not_delete\20273754\104\10105-sht-eros03.dgn
 USER NAME = andr00846
 DESIGNED - RLA
 DRAWN - MGD
 CHECKED - MPB
 PLOT DATE = 9/8/2015

LAYOUT	RLA	2/11/14
DRAWN	MGD	5/21/15
REVIEWED	MPB	5/28/15



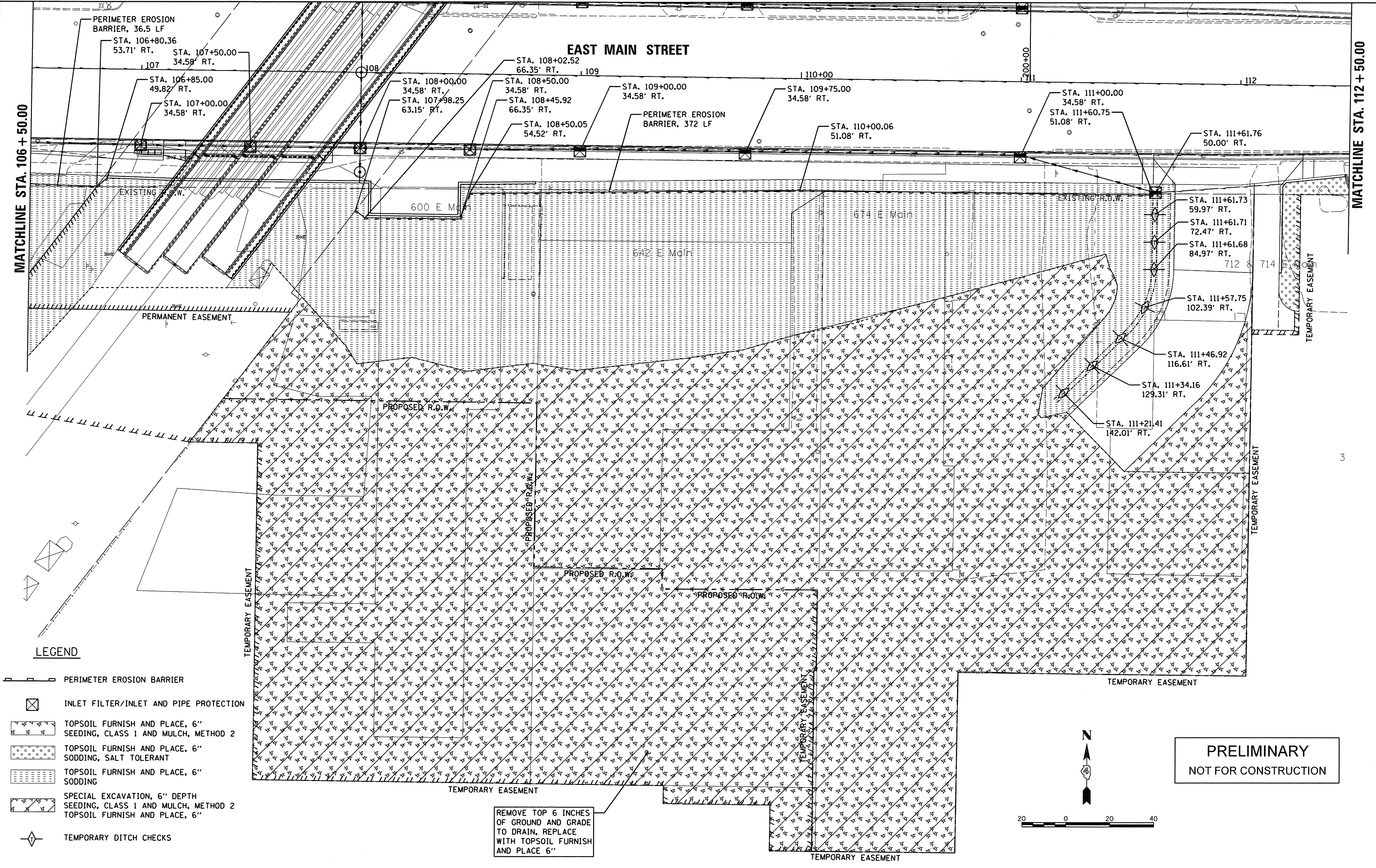
- LEGEND**
- PERIMETER EROSION BARRIER
 - INLET FILTER/INLET AND PIPE PROTECTION
 - TOPSOIL FURNISH AND PLACE, 6" SEEDING, CLASS 1 AND MULCH, METHOD 2
 - TOPSOIL FURNISH AND PLACE, 6" SODDING, SALT TOLERANT
 - TOPSOIL FURNISH AND PLACE, 6" SODDING
 - SPECIAL EXCAVATION, 6" DEPTH SEEDING, CLASS 1 AND MULCH, METHOD 2 TOPSOIL FURNISH AND PLACE, 6"
 - TEMPORARY DITCH CHECKS



PRELIMINARY
 NOT FOR CONSTRUCTION

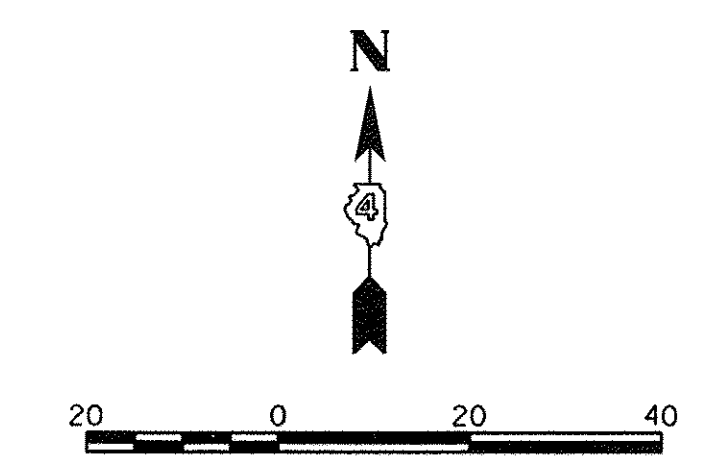
STATE OF ILLINOIS DEPARTMENT OF TRANSPORTATION		EAST MAIN STREET EROSION CONTROL PLAN		F.A.U. RTE. 6800	SECTION 05-00500-19-GS	COUNTY KNOX	TOTAL SHEETS 221	SHEET NO. 40
SCALE: 1"=20'		SHEET NO. OF SHEETS		STA. 106+50.00 TO STA. 112+50.00		FED. ROAD DIST. NO. ILLINOIS FED. AID PROJECT		CONTRACT NO. 89417

FILE NAME = c:\pwise-work\do_not_delete\0273754\0409105-eros024.dgn
 USER NAME = andr-00846
 DESIGNED - RLA
 DRAWN - MGD
 CHECKED - MPB
 DATE - 9/9/2015
 PLOT SCALE = 20,0000' / in.
 PLOT DATE = 9/8/2015



- LEGEND**
- PERIMETER EROSION BARRIER
 - INLET FILTER/INLET AND PIPE PROTECTION
 - TOPSOIL FURNISH AND PLACE, 6" SEEDING, CLASS 1 AND MULCH, METHOD 2
 - TOPSOIL FURNISH AND PLACE, 6" SODDING, SALT TOLERANT
 - TOPSOIL FURNISH AND PLACE, 6" SODDING
 - SPECIAL EXCAVATION, 6" DEPTH SEEDING, CLASS 1 AND MULCH, METHOD 2
TOPSOIL FURNISH AND PLACE, 6"
 - TEMPORARY DITCH CHECKS

REMOVE TOP 6 INCHES OF GROUND AND GRADE TO DRAIN, REPLACE WITH TOPSOIL FURNISH AND PLACE 6"



PRELIMINARY
 NOT FOR CONSTRUCTION

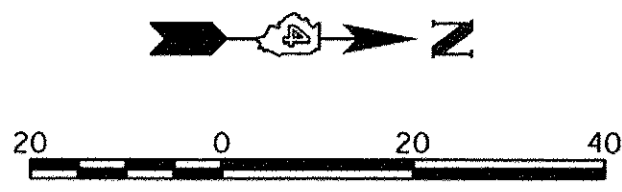
LAYOUT	2/11/14
DRAWN	5/27/15
REVIEWED	5/28/15

STATE OF ILLINOIS
DEPARTMENT OF TRANSPORTATION

EAST MAIN STREET
EROSION CONTROL PLAN

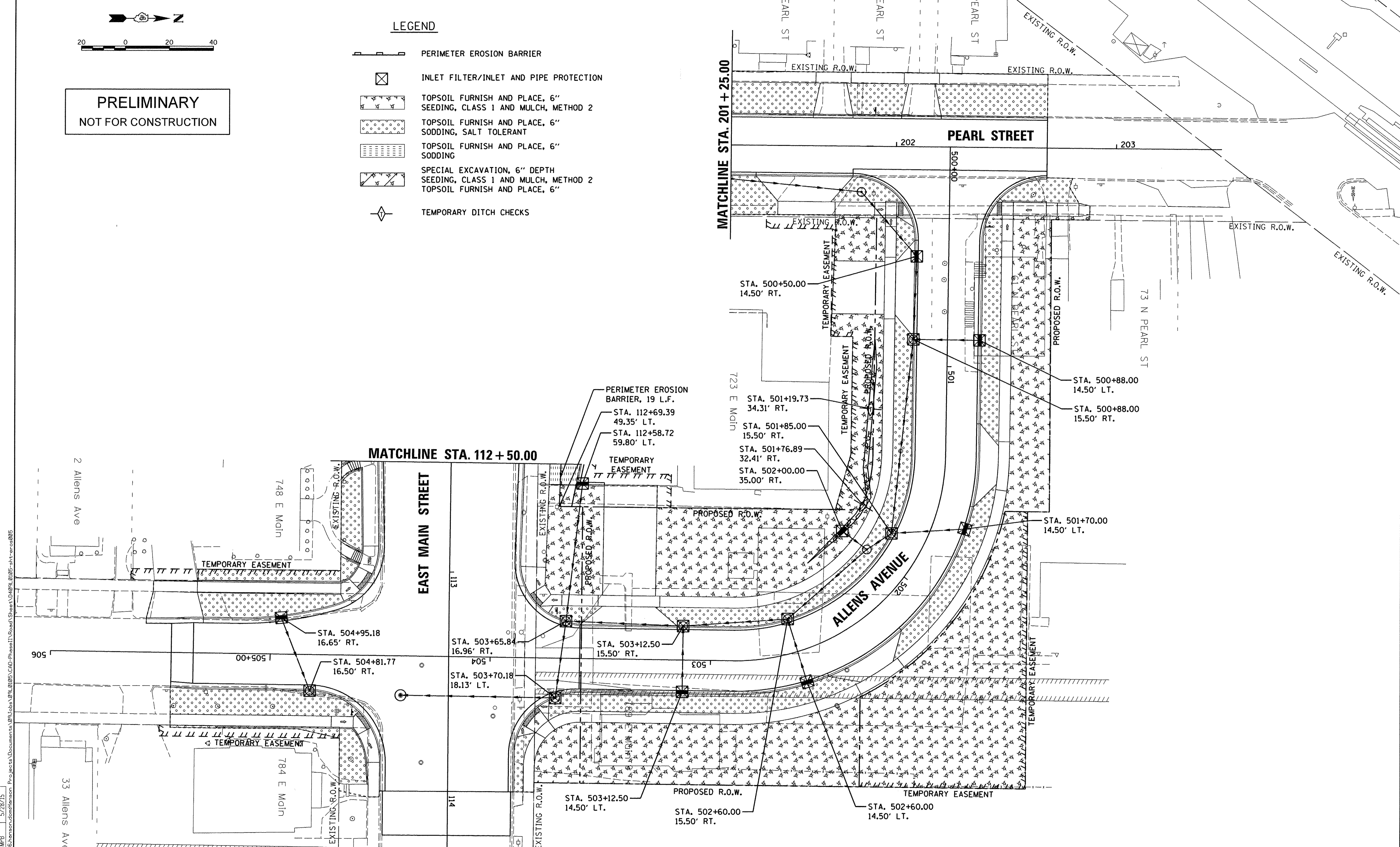
SCALE: 1"=20'
 SHEET NO. OF SHEETS STA. 106+50.00 TO STA. 112+50.00

F.A.U. RTE.	SECTION	COUNTY	TOTAL SHEETS	SHEET NO.
6800	05-00500-19-GS	KNOX	221	41
50VB		CONTRACT NO.89417		
FED. ROAD DIST. NO.		ILLINOIS FED. AID PROJECT		



PRELIMINARY
NOT FOR CONSTRUCTION

- LEGEND**
- PERIMETER EROSION BARRIER
 - INLET FILTER/INLET AND PIPE PROTECTION
 - TOPSOIL FURNISH AND PLACE, 6" SEEDING, CLASS 1 AND MULCH, METHOD 2
 - TOPSOIL FURNISH AND PLACE, 6" SODDING, SALT TOLERANT
 - TOPSOIL FURNISH AND PLACE, 6" SODDING
 - SPECIAL EXCAVATION, 6" DEPTH SEEDING, CLASS 1 AND MULCH, METHOD 2 TOPSOIL FURNISH AND PLACE, 6"
 - TEMPORARY DITCH CHECKS



© Copyright Hanson Professional Services Inc. 2015
HANSON
 Hanson Professional Services Inc.

LAYOUT	2/11/14
RLA	
DRAWN	5/27/15
MGD	
REVIEWED	5/28/15
MPB	

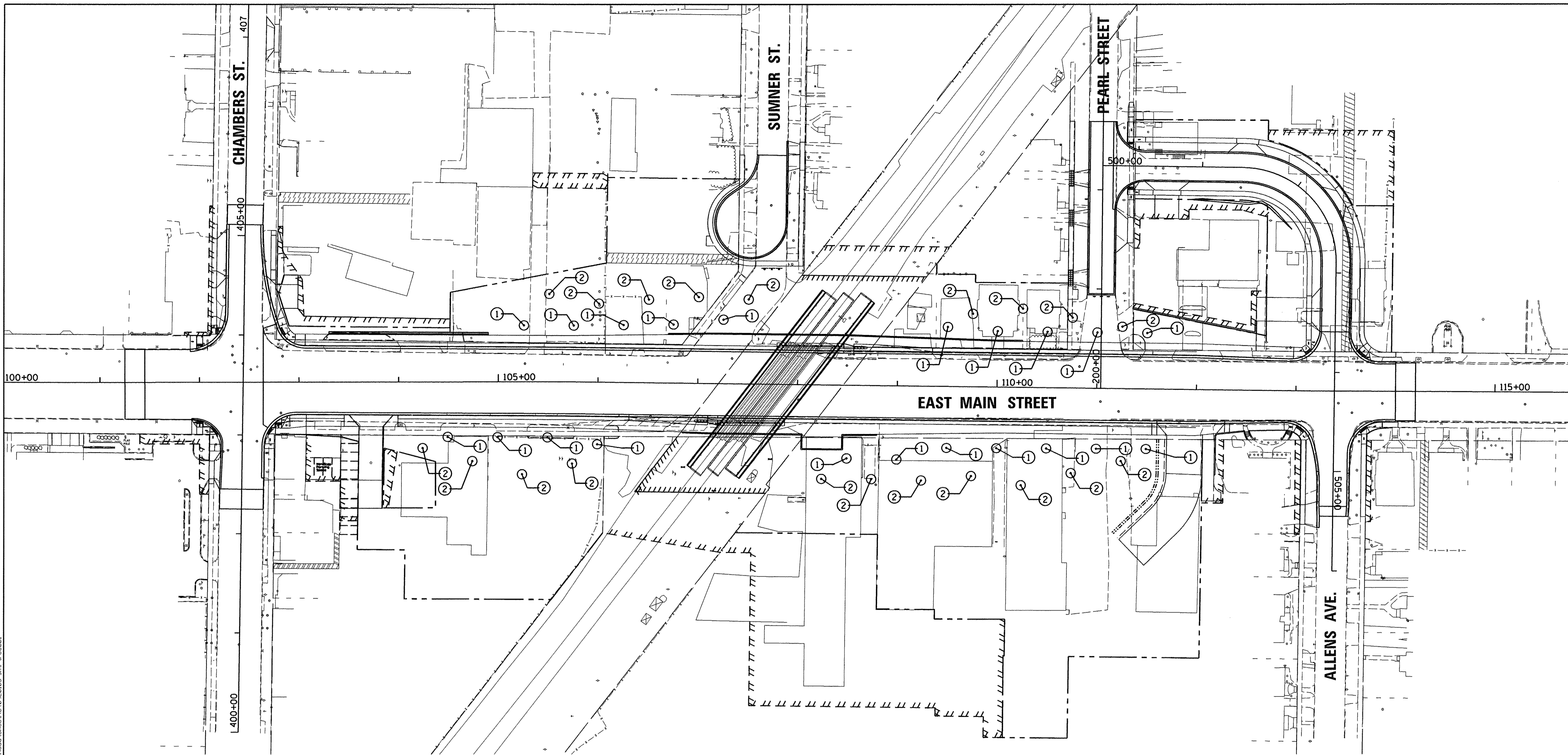
FILE NAME =	USER NAME =	DESIGNED -	REVISED -
cs:\pwise\work\do_not_delete\8273754\049\0105-sht-eros005.dgn	ander00846	RLA	
		DRAWN -	REVISED -
		MGD	
		CHECKED -	REVISED -
		MPB	
		DATE -	REVISED -
		9/9/2015	

STATE OF ILLINOIS
DEPARTMENT OF TRANSPORTATION

EAST MAIN STREET
EROSION CONTROL PLAN

SCALE: 1"=20' SHEET NO. OF SHEETS STA. 112+50.00 TO STA. 201+25.00

F.A.U. RTE.	SECTION	COUNTY	TOTAL SHEETS	SHEET NO.
6800	05-00500-19-GS	KNOX	221	42
	50VB		CONTRACT NO.89417	
FED. ROAD DIST. NO.	ILLINOIS FED. AID PROJECT			



TREE, CERCIS CANADENSIS (EASTERN REDBUD), 2" CALIPER, TREE FORM, BALLED AND BURLAPPED (B2001116)		
NO.	STATION	OFFSET
1	104+49.23	55.26' RT.
1	104+99.23	55.61' RT.
1	105+25.77	56.38' LT.
1	105+49.23	55.96' RT.
1	105+75.00	56.26' LT.
1	106+00.00	62.50' RT.
1	106+25.00	57.42' LT.
1	106+75.00	58.59' LT.
1	107+25.00	64.21' LT.
1	108+50.00	73.85' RT.
1	109+00.00	74.36' RT.

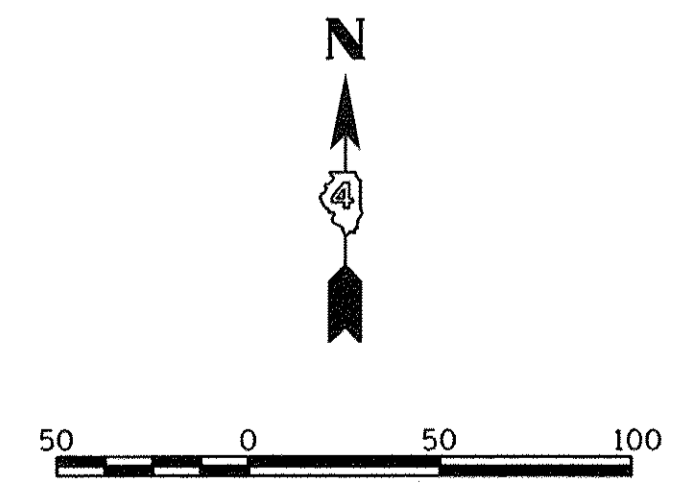
TREE, CERCIS CANADENSIS (EASTERN REDBUD), 2" CALIPER, TREE FORM, BALLED AND BURLAPPED (B2001116)		
NO.	STATION	OFFSET
1	109+50.00	61.95' RT.
1	109+50.00	59.66' LT.
1	110+00.00	61.59' RT.
1	110+00.00	56.08' LT.
1	110+50.00	61.23' RT.
1	110+50.00	56.08' LT.
1	111+00.00	60.88' RT.
1	111+00.00	56.08' LT.
1	111+50.00	60.52' RT.
1	111+50.00	56.08' LT.

TREE, MALUS PRAIRIFIRE (PRAIRIFIRE CRABAPPLE), 2" CALIPER, TREE FORM, BALLED AND BURLAPPED (B2004116)		
NO.	STATION	OFFSET
2	104+24.07	66.63' RT.
2	104+73.89	79.99' RT.
2	105+23.71	93.35' RT.
2	105+51.21	88.16' LT.
2	105+75.00	82.48' RT.
2	106+00.00	78.75' LT.
2	106+50.00	83.53' LT.
2	107+00.00	86.68' LT.
2	107+50.00	84.94' LT.
2	108+25.00	94.77' RT.

TREE, MALUS PRAIRIFIRE (PRAIRIFIRE CRABAPPLE), 2" CALIPER, TREE FORM, BALLED AND BURLAPPED (B2004116)		
NO.	STATION	OFFSET
2	108+75.00	94.46' RT.
2	109+25.00	95.16' RT.
2	109+75.00	90.09' RT.
2	109+75.00	73.29' LT.
2	110+25.00	98.69' RT.
2	110+25.10	79.10' LT.
2	110+75.00	85.92' RT.
2	110+75.00	70.64' LT.
2	111+25.00	73.15' RT.
2	111+25.00	62.18' LT.

- LEGEND**
- ① TREE, CERCIS CANADENSIS (EASTERN REDBUD), 2" CALIPER, TREE FORM, BALLED AND BURLAPPED
 - ② TREE, MALUS PRAIRIFIRE (PRAIRIFIRE CRABAPPLE), 2" CALIPER, TREE FORM, BALLED AND BURLAPPED

**PRELIMINARY
NOT FOR CONSTRUCTION**



LAYOUT	2/11/14
DRAWN	5/27/15
REVIEWED	5/28/15

FILE NAME =	USER NAME = andr08846	DESIGNED - RLA	REVISED -
c:\pwise_work\do_not_delete\d0273754\04910105-sht-tree001.dgn		DRAWN - MGD	REVISED -
plot:\sp\svr\306\hanson\dom\hanson\Projects\Documents\05\Jobs\01\005\CAD-Phase1\Road\Sheet\04\005-sht-trees001		CHECKED - MPB	REVISED -
		DATE - 9/9/2015	REVISED -

DESIGNED - RLA	REVISED -
DRAWN - MGD	REVISED -
CHECKED - MPB	REVISED -
DATE - 9/9/2015	REVISED -

**STATE OF ILLINOIS
DEPARTMENT OF TRANSPORTATION**

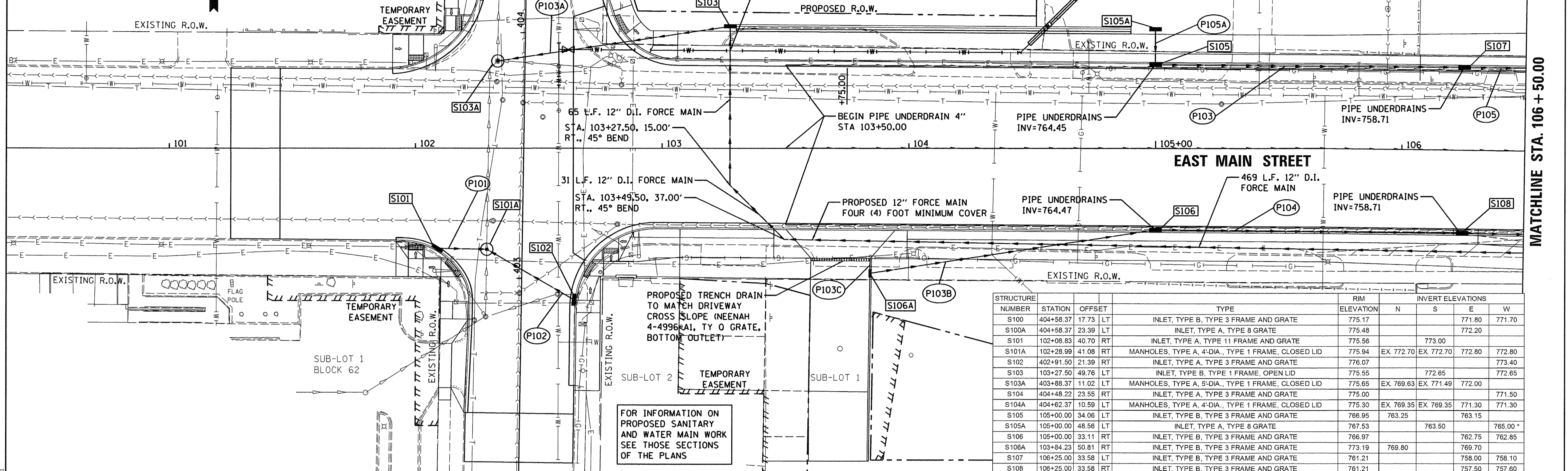
EAST MAIN STREET TREE REPLACEMENT PLAN			
SCALE: 1"=50'	SHEET NO.	OF SHEETS	STA. TO STA.

F.A.U. RTE.	SECTION	COUNTY	TOTAL SHEETS	SHEET NO.
6800	05-00500-19-GS	KNOX	221	43
50VB		CONTRACT NO.89417		
FED. ROAD DIST. NO. [ILLINOIS] FED. AID PROJECT				

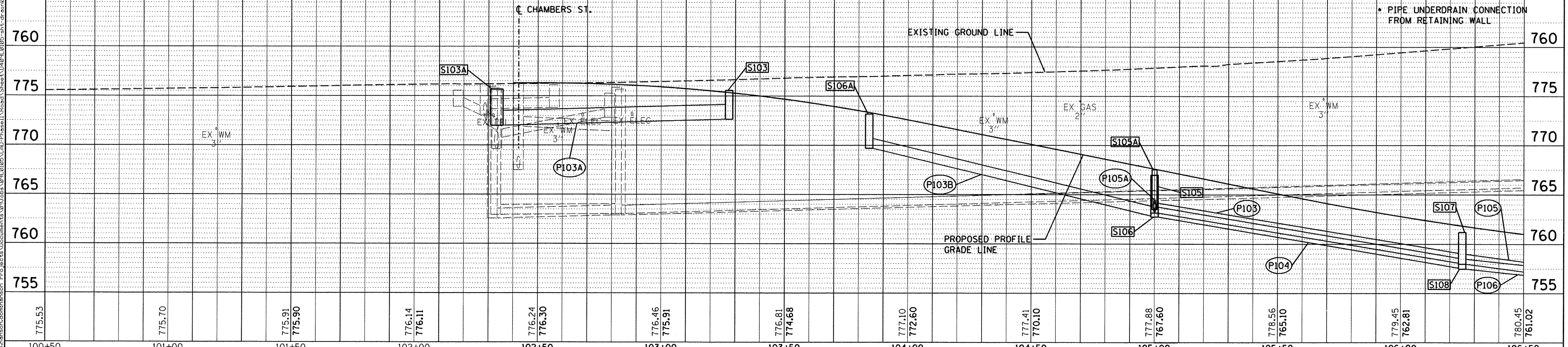
**PRELIMINARY
NOT FOR CONSTRUCTION**



PIPE NUMBER	FROM STRUCTURE	U/S INVERT	TO STRUCTURE	D/S INVERT	CLASS/TYPE	DIAMETER	LENGTH	SLOPE	TRENCH BACKFILL
P100	S100	771.80	S104A	771.30	STORM SEWERS, CLASS A, TYPE 1	12	3.5	14.29%	1
P100A	S100A	772.20	S100	771.70	STORM SEWERS, CLASS A, TYPE 1	12	3	16.67%	1
P101	S101	773.00	S101A	772.80	STORM SEWERS, CLASS A, TYPE 1	12	17	1.18%	3
P102	S102	773.40	S101A	772.80	STORM SEWERS, TYPE 1 (WATER MAIN QUALITY PIPE)	12	38	1.58%	7
P103	S105	783.15	S107	758.10	STORM SEWERS, CLASS A, TYPE 1	12	122	4.14%	16
P103A	S103	772.65	S103A	772.00	STORM SEWERS, TYPE 1 (WATER MAIN QUALITY PIPE)	18	91.5	0.71%	10
P103B	S106A	769.70	S106	762.85	STORM SEWERS, CLASS A, TYPE 1	12	114	6.01%	12
P103C	TRENCH	770.00	S106A	769.80	PIPE DRAINS	6	4	5.00%	0
P104	S106	762.75	S108	757.60	STORM SEWERS, CLASS A, TYPE 1	12	121	4.26%	13
P104A	S104	771.50	S104A	771.30	STORM SEWERS, TYPE 1 (WATER MAIN QUALITY PIPE)	12	32.5	0.62%	8
P105	S107	758.00	S109	756.60	STORM SEWERS, CLASS A, TYPE 1	12	72	1.94%	10
P105A	S105A	763.50	S105	763.25	STORM SEWERS, CLASS A, TYPE 1	12	12	2.08%	2



STRUCTURE NUMBER	STATION	OFFSET	TYPE	RIM ELEVATION				INVERT ELEVATIONS					
				N	S	E	W	N	S	E	W		
S100	404+58.37	17.73	INLET, TYPE B, TYPE 3 FRAME AND GRATE	775.17				771.80	771.70				
S100A	404+58.37	23.39	INLET, TYPE A, TYPE 8 GRATE	775.48				772.20					
S101	102+08.83	40.70	INLET, TYPE A, TYPE 11 FRAME AND GRATE	775.56		773.00							
S101A	102+28.99	41.08	MANHOLES, TYPE A, 4'-DIA., TYPE 1 FRAME, CLOSED LID	775.94	EX 772.70	EX 772.70		772.80	772.80				
S102	402+91.50	21.39	INLET, TYPE A, TYPE 3 FRAME AND GRATE	776.07				773.40					
S103	103+27.50	49.76	INLET, TYPE B, TYPE 1 FRAME, OPEN LID	775.55			772.85		772.65				
S103A	403+88.37	11.02	MANHOLES, TYPE A, 5'-DIA., TYPE 1 FRAME, CLOSED LID	775.65	EX 769.63	EX 771.49		772.00					
S104	404+48.22	23.55	INLET, TYPE A, TYPE 3 FRAME AND GRATE	775.00				771.50					
S104A	404+62.37	10.59	MANHOLES, TYPE A, 4'-DIA., TYPE 1 FRAME, CLOSED LID	775.30	EX 769.35	EX 769.35		771.30	771.30				
S105	105+00.00	34.06	INLET, TYPE B, TYPE 3 FRAME AND GRATE	766.95	763.25		763.15						
S105A	105+00.00	48.56	INLET, TYPE A, TYPE 8 GRATE	767.53			763.50		765.00 *				
S106	105+00.00	33.11	INLET, TYPE B, TYPE 3 FRAME AND GRATE	766.97			762.75		762.85				
S106A	103+84.23	50.81	INLET, TYPE B, TYPE 3 FRAME AND GRATE	773.19	769.80		769.70		758.00				
S107	106+25.00	33.58	INLET, TYPE B, TYPE 3 FRAME AND GRATE	761.21			758.00		758.10				
S108	106+25.00	33.58	INLET, TYPE B, TYPE 3 FRAME AND GRATE	761.21			757.50		757.60				



DATE	BY
SURVEYED	PLANNED
NOTED	NOTED
NO.	NO.

HANSON
Professional Services Inc.

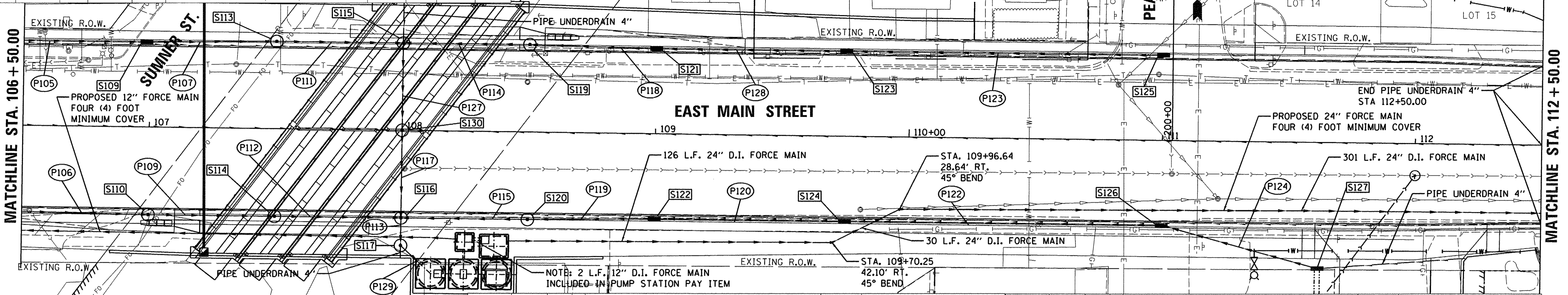
DATE	BY
SURVEYED	PLANNED
NOTED	NOTED
NO.	NO.

DATE	BY
SURVEYED	PLANNED
NOTED	NOTED
NO.	NO.

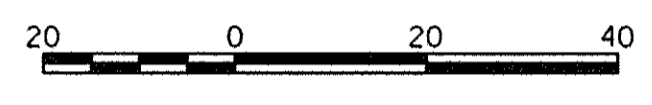
PRELIMINARY
NOT FOR CONSTRUCTION

PIPE NUMBER	FROM STRUCTURE	U/S INVERT	TO STRUCTURE	D/S INVERT	CLASS/TYPE	DIAMETER	LENGTH	SLOPE	TRENCH BACKFILL
P106	S108	757.50	S110	755.60	STORM SEWERS, CLASS A, TYPE 1	12	71	2.68%	9
P107	S109	756.50	S113	755.10	STORM SEWERS, CLASS A, TYPE 1	12	48.5	2.89%	6
P109	S110	755.50	S114	754.80	STORM SEWERS, CLASS A, TYPE 1	15	46	1.52%	6
P111	S113	755.00	S115	754.60	STORM SEWERS, CLASS A, TYPE 1	15	46	0.87%	6
P112	S114	754.70	S116	753.20	STORM SEWERS, CLASS A, TYPE 1	15	46	3.26%	8
P113	S116	753.10	S117	752.90	STORM SEWERS, CLASS A, TYPE 2	24	7	2.86%	2
P114	S119	754.20	S115	754.00	STORM SEWERS, CLASS A, TYPE 1	15	46	0.43%	7
P115	S120	753.70	S116	753.20	STORM SEWERS, CLASS A, TYPE 2	15	46	1.09%	10
P117	S130	753.50	S116	753.20	STORM SEWERS, CLASS A, TYPE 2	18	30.5	0.98%	8
P118	S121	756.00	S119	754.30	STORM SEWERS, CLASS A, TYPE 1	12	47	3.62%	6

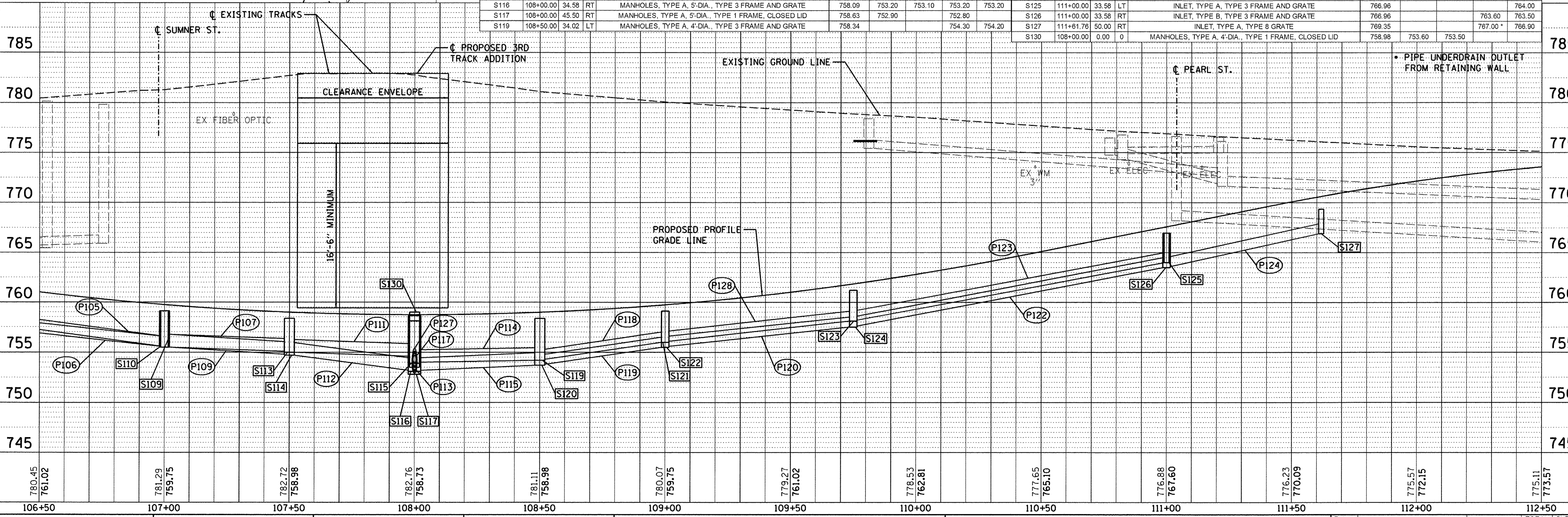
PIPE NUMBER	FROM STRUCTURE	U/S INVERT	TO STRUCTURE	D/S INVERT	CLASS/TYPE	DIAMETER	LENGTH	SLOPE	TRENCH BACKFILL
P119	S122	755.50	S120	753.80	STORM SEWERS, CLASS A, TYPE 1	12	46	3.70%	7
P120	S124	757.50	S122	755.60	STORM SEWERS, CLASS A, TYPE 1	12	71	2.68%	9
P122	S126	763.50	S124	757.60	STORM SEWERS, CLASS A, TYPE 1	12	121	4.88%	16
P123	S125	764.00	S123	758.10	STORM SEWERS, CLASS A, TYPE 1	12	65	9.08%	9
P124	S127	766.90	S126	763.60	STORM SEWERS, TYPE 2 (WATER MAIN QUALITY PIPE)	12	60.5	5.45%	8
P127	S115	753.90	S130	753.60	STORM SEWERS, CLASS A, TYPE 2	18	30.5	0.98%	4
P128	S123	758.00	S121	756.10	STORM SEWERS, CLASS A, TYPE 1	12	30.5	6.23%	4
P129	S117	752.80	Pump Sta	752.60	STORM SEWERS, CLASS A, TYPE 2	24	9.5	2.11%	1



FOR INFORMATION ON PROPOSED SANITARY AND WATER MAIN WORK SEE THOSE SECTIONS OF THE PLANS



STRUCTURE NUMBER	STATION	OFFSET	TYPE	RIM ELEVATION				STRUCTURE NUMBER	STATION	OFFSET	TYPE	INVERT ELEVATIONS					
				N	S	E	W					N	S	E	W		
S109	107+00.00	33.58	LT	759.11				S120	108+50.00	34.58	RT	758.34				753.80	753.70
S110	107+00.00	34.58	RT	759.11				S121	109+00.00	33.58	LT	759.11				756.10	756.00
S113	107+50.00	34.58	LT	758.34				S122	109+00.00	33.58	RT	759.11				755.60	755.50
S114	107+50.00	34.02	RT	758.34				S123	109+75.00	33.58	LT	761.21				758.10	758.00
S115	108+00.00	34.02	LT	758.09		753.90		S124	109+75.00	33.58	RT	761.21				757.60	757.50
S116	108+00.00	34.58	RT	758.09		753.20		S125	111+00.00	33.58	LT	766.96				763.60	764.00
S117	108+00.00	45.50	RT	758.63		752.90		S126	111+00.00	33.58	RT	766.96				763.60	763.50
S119	108+50.00	34.02	LT	758.34			754.20	S127	111+61.76	50.00	RT	769.35				767.00*	766.90
								S130	108+00.00	0.00	0	758.98		753.60	753.50		



DATE	
BY	
PLAN	
NO. _____	
DATE	
BY	
PLAN	
NO. _____	

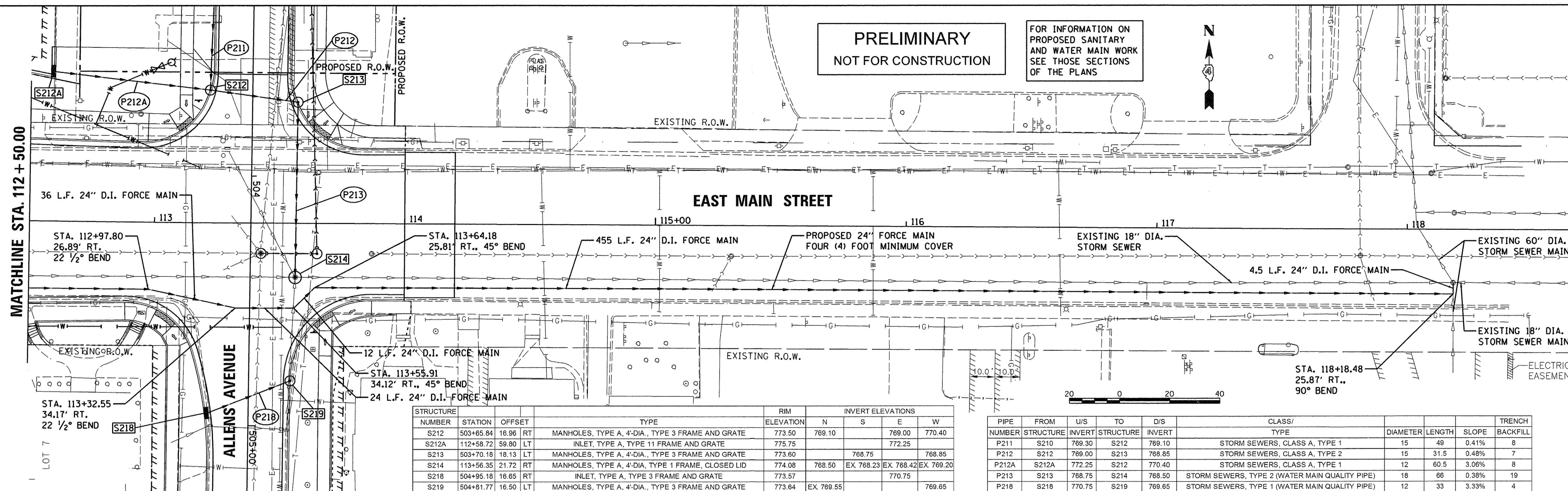
FOR INFORMATION ON PROPOSED SANITARY AND WATER MAIN WORK SEE THOSE SECTIONS OF THE PLANS

DATE	
BY	
PROFILE	
NO. _____	
DATE	
BY	
PROFILE	
NO. _____	

DATE	2/11/14
BY	MPB
DATE	5/27/15
BY	MPB
DATE	5/28/15
BY	MPB

**PRELIMINARY
NOT FOR CONSTRUCTION**

FOR INFORMATION ON
PROPOSED SANITARY
AND WATER MAIN WORK
SEE THOSE SECTIONS
OF THE PLANS



STRUCTURE NUMBER	STATION	OFFSET	TYPE	RIM ELEVATION	INVERT ELEVATIONS			
					N	S	E	W
S212	503+65.84	16.96 RT	MANHOLES, TYPE A, 4'-DIA., TYPE 3 FRAME AND GRATE	773.50	769.10		769.00	770.40
S212A	112+58.72	59.80 LT	INLET, TYPE A, TYPE 11 FRAME AND GRATE	775.75			772.25	
S213	503+70.18	18.13 LT	MANHOLES, TYPE A, 4'-DIA., TYPE 3 FRAME AND GRATE	773.60		768.75		768.85
S214	113+56.35	21.72 RT	MANHOLES, TYPE A, 4'-DIA., TYPE 1 FRAME, CLOSED LID	774.08	788.50	EX. 768.23	EX. 768.42	EX. 769.20
S218	504+95.18	16.65 RT	INLET, TYPE A, TYPE 3 FRAME AND GRATE	773.57			770.75	
S219	504+81.77	16.50 LT	MANHOLES, TYPE A, 4'-DIA., TYPE 3 FRAME AND GRATE	773.64	EX. 769.55			769.65

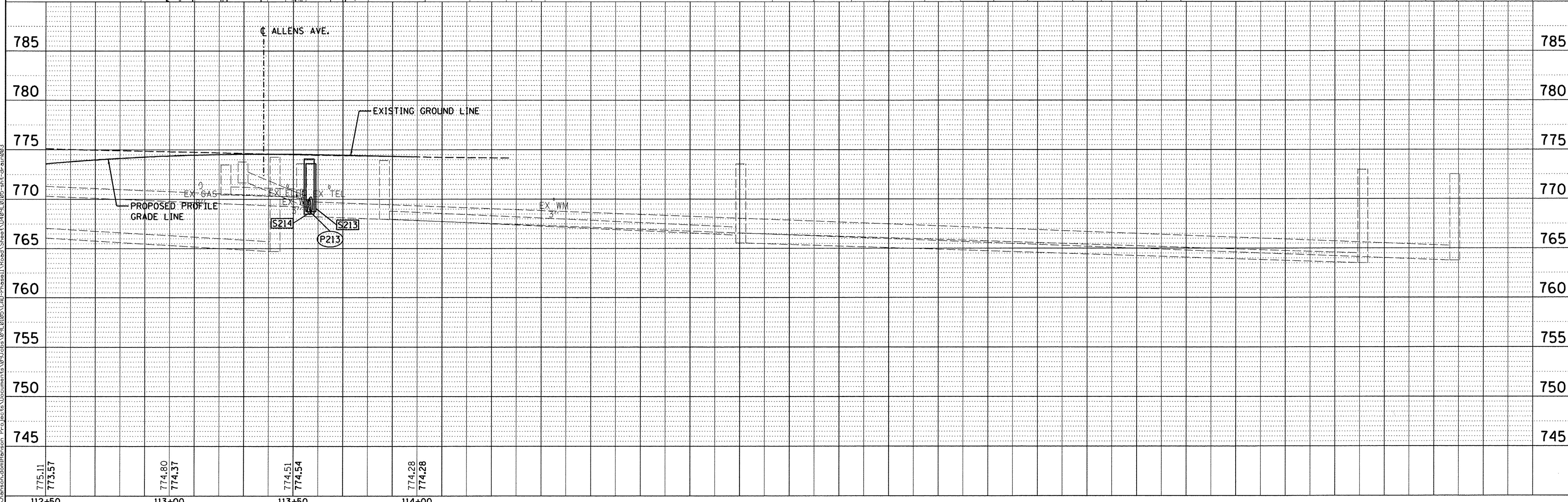
PIPE NUMBER	FROM STRUCTURE	U/S INVERT	TO STRUCTURE	D/S INVERT	CLASS/TYPE	DIAMETER	LENGTH	SLOPE	TRENCH BACKFILL
P212	S212	769.00	S213	768.85	STORM SEWERS, CLASS A, TYPE 2	15	31.5	0.48%	7
P212A	S212A	772.25	S212	770.40	STORM SEWERS, CLASS A, TYPE 1	12	60.5	3.06%	8
P213	S213	768.75	S214	768.50	STORM SEWERS, TYPE 2 (WATER MAIN QUALITY PIPE)	18	66	0.38%	19
P218	S218	770.75	S219	769.65	STORM SEWERS, TYPE 1 (WATER MAIN QUALITY PIPE)	12	33	3.33%	4

PLAN
DATE: _____
BY: _____
SURVEYED: _____
PLOTTED: _____
NOTE BOOK NO.: _____
ALIGNED: _____
RT. OF WAY CHECKED: _____
CAD FILE NAME: _____

HANSON
Professional Services Inc.
© Copyright Hanson Professional Services Inc. 2015

PROFILE
DATE: _____
BY: _____
SURVEYED: _____
PLOTTED: _____
NOTE BOOK NO.: _____
STRUCTURE NOTATIONS: CRKD

LAYOUT
DATE: 2/11/14
DRAWN: MPB
REVIEWED: MPB
DATE: 5/27/15



FILE NAME =	USER NAME = ande@0846	DESIGNED - RLA	REVISED -
c:\pwise\work\do_not_delete\0273754\0409	0105-sht-drain003.dgn	DRAWN - MPB	REVISED -
	PLOT SCALE = 20.0000' / in.	CHECKED - MPB	REVISED -
	PLOT DATE = 9/9/2015	DATE - 9/9/2015	REVISED -

**STATE OF ILLINOIS
DEPARTMENT OF TRANSPORTATION**

**EAST MAIN STREET
DRAINAGE PLAN AND PROFILE**

SCALE: 1"=20' SHEET NO. OF SHEETS STA. 111+00.00 TO STA. 114+00.00

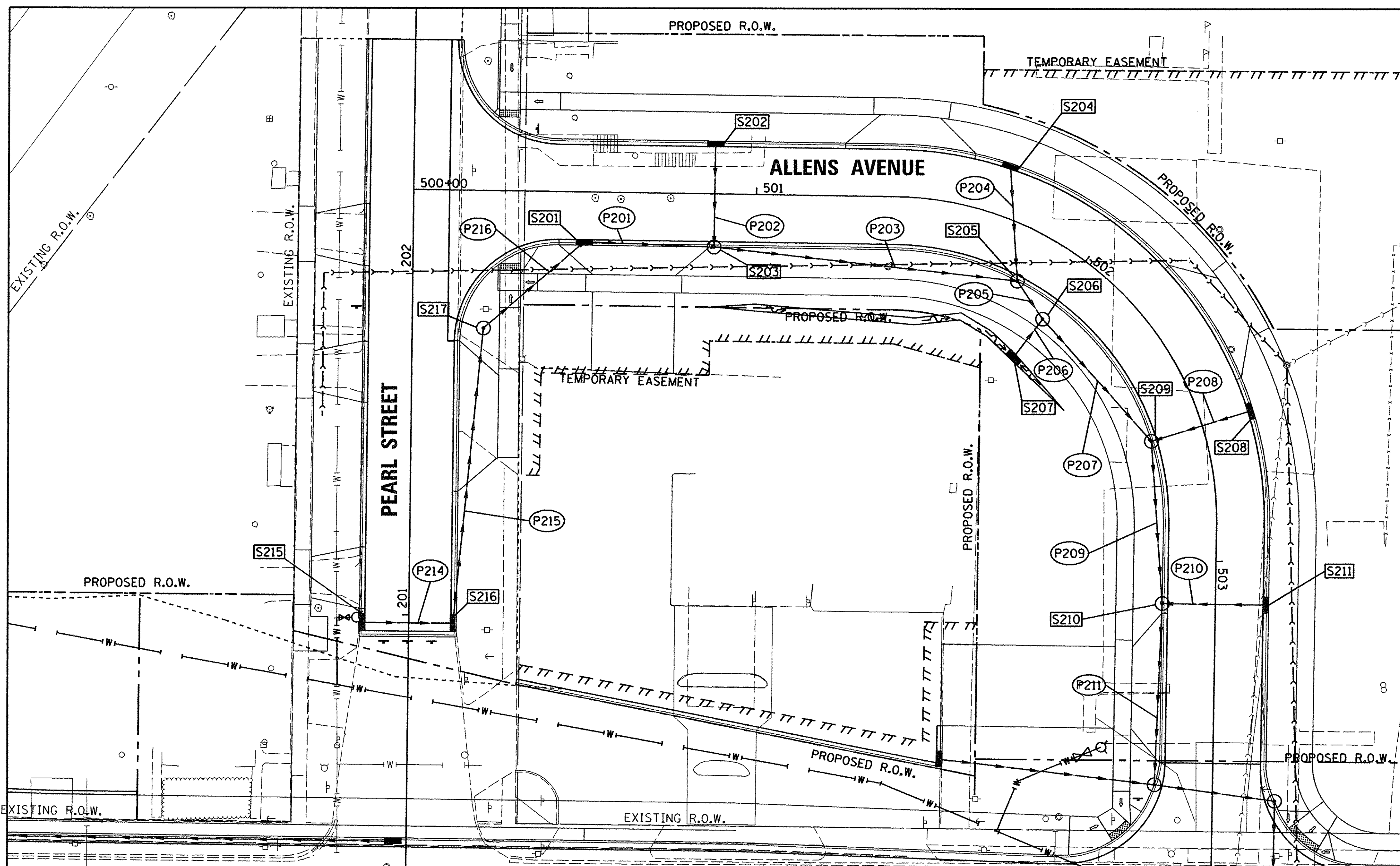
F.A.U. RTE. 6800	SECTION 05-00500-19-GS	COUNTY KNOX	TOTAL SHEETS 221	SHEET NO. 46
50VB			CONTRACT NO.89417	
ILLINOIS FED. AID PROJECT				

DATE	
BY	
PLANNED	
DESIGNED	
DRAWN	
CHECKED	
REVIEWED	

© Copyright Hanson Professional Services, Inc. 2015
HANSON
 Hanson Professional Services Inc.

DATE	
BY	
PROFILING	
DESIGNED	
DRAWN	
CHECKED	
REVIEWED	

DATE	2/11/14
BY	MPB
DATE	5/21/15
BY	MPB
DATE	5/28/15
BY	MPB

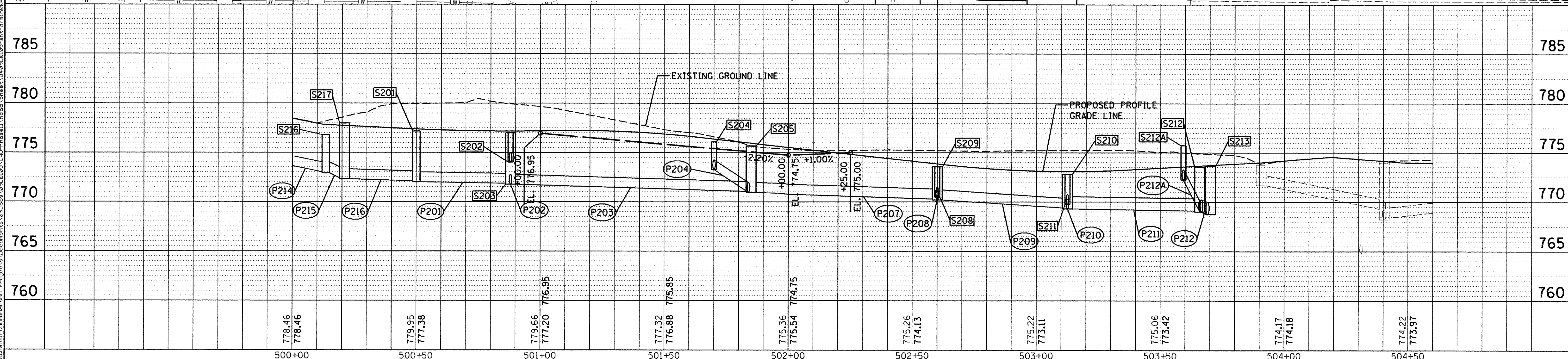
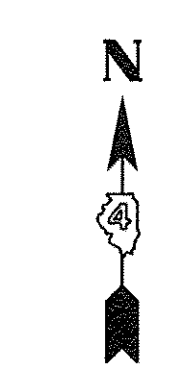


STRUCTURE NUMBER	STATION	OFFSET	TYPE	RIM ELEVATION	INVERT ELEVATIONS		
					N	S	E
S201	500+50.00	14.50	RT	INLET, TYPE B, TYPE 11 FRAME AND GRATE	777.18		
S202	500+88.00	14.50	LT	INLET, TYPE A, TYPE 11 FRAME AND GRATE	777.00		
S203	500+88.00	15.50	RT	MANHOLES, TYPE A, 4'-DIA, TYPE 11 FRAME AND GRATE	777.00	771.85	771.75
S204	501+70.00	14.50	LT	INLET, TYPE A, TYPE 11 FRAME AND GRATE	776.10		
S205	501+85.00	15.50	RT	MANHOLES, TYPE A, 4'-DIA, TYPE 11 FRAME AND GRATE	775.68	771.05	770.95
S206	502+00.00	21.02	RT	MANHOLES, TYPE A, 4'-DIA, TYPE 1 FRAME, CLOSED LID	775.88		
S207	502+00.00	35.00	RT	INLET, TYPE A, TYPE 8 GRATE	774.75	771.75	
S208	502+60.00	14.50	LT	INLET, TYPE A, TYPE 11 FRAME AND GRATE	773.56		
S209	502+60.00	15.50	RT	MANHOLES, TYPE A, 4'-DIA, TYPE 11 FRAME AND GRATE	773.56	770.30	770.30
S210	503+12.50	15.50	RT	MANHOLES, TYPE A, 4'-DIA, TYPE 11 FRAME AND GRATE	772.79	769.40	769.40
S211	503+12.50	14.50	LT	INLET, TYPE A, TYPE 11 FRAME AND GRATE	772.79		
S215	200+97.71	13.44	LT	INLET, TYPE A, TYPE 11 FRAME AND GRATE	777.10		
S216	200+97.68	12.89	RT	INLET, TYPE B, TYPE 11 FRAME AND GRATE	776.80	772.90	
S217	201+84.29	20.80	RT	MANHOLES, TYPE A, 4'-DIA, TYPE 1 FRAME, CLOSED LID	777.59	772.30	772.40

PIPE NUMBER	FROM STRUCTURE	U/S INVERT	TO STRUCTURE	D/S INVERT	CLASS/TYPE	DIAMETER	LENGTH	SLOPE	TRENCH BACKFILL
P201	S201	772.00	S203	771.85	STORM SEWERS, CLASS A, TYPE 2	12	34	0.44%	10
P202	S202	774.00	S203	771.85	STORM SEWERS, CLASS A, TYPE 1	12	27	7.96%	5
P203	S203	771.75	S205	771.05	STORM SEWERS, CLASS A, TYPE 2	12	85	0.82%	24
P204	S204	773.25	S205	771.05	STORM SEWERS, CLASS A, TYPE 1	12	30.5	7.21%	5
P205	S205	770.95	S206	770.85	STORM SEWERS, CLASS A, TYPE 2	12	9.5	1.05%	3
P206	S207	771.75	S206	770.85	STORM SEWERS, CLASS A, TYPE 1	12	12	7.50%	2
P207	S206	770.75	S209	770.30	STORM SEWERS, CLASS A, TYPE 1	12	44	1.02%	9
P208	S208	770.50	S209	770.30	STORM SEWERS, CLASS A, TYPE 1	12	27	0.74%	4
P209	S209	770.20	S210	769.40	STORM SEWERS, CLASS A, TYPE 1	12	43.5	1.84%	6
P210	S211	769.75	S210	769.40	STORM SEWERS, CLASS A, TYPE 1	12	27	1.30%	4
P211	S210	769.30	S212	769.10	STORM SEWERS, CLASS A, TYPE 1	15	49	0.41%	8
P214	S215	774.25	S216	773.00	STORM SEWERS, TYPE 1 (WATER MAIN QUALITY PIPE)	12	24	5.21%	5
P215	S216	772.90	S217	772.40	STORM SEWERS, CLASS A, TYPE 1	12	83.5	0.60%	28
P216	S217	772.30	S201	772.10	STORM SEWERS, CLASS A, TYPE 2	12	35	0.57%	22

FOR INFORMATION ON PROPOSED SANITARY AND WATER MAIN WORK SEE THOSE SECTIONS OF THE PLANS

PRELIMINARY
NOT FOR CONSTRUCTION



FILE NAME =	USER NAME =	DESIGNED -	REVISED -	STATE OF ILLINOIS DEPARTMENT OF TRANSPORTATION		ALLENS AVENUE DRAINAGE PLAN AND PROFILE		F.A.U. RTE.	SECTION	COUNTY	TOTAL SHEETS	SHEET NO.
al\pwise\work\do_not_delete\0273754\0409\0105-sht-drain004.dgn	ender00846	DRAWN -	REVISED -					6800	05-00500-19-GS	KNOX	221	47
Default	PLLOT SCALE = 20.0000' / 1"	CHECKED -	REVISED -	SCALE: 1"=20'	SHEET OF SHEETS STA. 402+70.00 TO STA. 405+05.83		50VB		CONTRACT NO.89417			
	PLLOT DATE = 9/9/2015	DATE -	REVISED -	ILLINOIS FED. AID PROJECT								

GENERAL NOTES:

1. FINAL SITE GRADING SHALL OCCUR ONLY AFTER ALL IMPROVEMENTS HAVE BEEN COMPLETED.
2. THERE ARE THREE (3) DRAINAGE STRUCTURES, NO. 1. EACH IS IDENTICAL WITH EXCEPTION OF THE INVERTS, HATCHES, AND THE PIPES ENTERING AND EXITING THEM. THEY WILL BE BID PER EACH.

EXCAVATION AND BACKFILL NOTES:

1. THE CONTRACTOR SHALL SUBMIT AN EXCAVATION PLAN SEALED BY A PROFESSIONAL ENGINEER PRIOR TO COMMENCING WORK.
2. ALL EXCAVATION, SHORING, AGGREGATE OR CONCRETE BASE, CONCRETE PRECAST MANHOLE SECTIONS, FLAT SLAB TOP, ACCESS HATCHES, LOCKING MECHANISM, MASTIC, SEALANT, WATERPROOFING GROUT, AND BACKFILL SHALL BE INCLUDED IN THE CONTRACT UNIT PRICE FOR DRAINAGE STRUCTURES, NO. 1.
3. THE DRAINAGE STRUCTURE SHALL BE CHECKED AFTER THE INSTALLATION OF EACH SECTION TO ENSURE A TRUE VERTICAL INSTALLATION. IF THE ALIGNMENT IS OFF, THE CONTRACTOR SHALL TAKE CORRECTIVE ACTION TO SHIM THE STRUCTURE BACK INTO LEVEL.

DRAINAGE STRUCTURE PIPE CONNECTION NOTES:

1. THE THREE DRAINAGE STRUCTURES, NO. 1 SHALL BE CONNECTED BY 36" DIAMETER CLASS 52 DUCTILE IRON PIPE.
2. ALL MATERIAL AND LABOR ASSOCIATED WITH EXCAVATING FOR AND INSTALLING THE 36" DIAMETER PIPE SHALL BE PAID FOR AT THE CONTRACT UNIT PRICE FOR STORM SEWER CONNECTION.

PUMPING STATION NOTES:

1. THE VALVE VAULT, PUMPS, PUMP BASES, RAILS AND LIFTING CHAINS SHALL ALL BE PAID FOR AT THE CONTRACT UNIT PRICE FOR PUMPING STATION.
2. ALL PIPING, FITTINGS, VALVES AND PIPE SUPPORT BRACKETS FROM THE PUMP BASE, THROUGH THE VALVE VAULT TO TWO FEET OUTSIDE THE VALVE VAULT SHALL BE PAID FOR UNDER PUMP STATION MECHANICAL WORK.
3. ALL VALVES AND FITTINGS IN THE VALVE VAULT SHALL BE SUPPORTED ON STEEL PIPE SUPPORTS.
4. THE 2" SCHEDULE 40 DRAIN AND CHECK VALVE SHALL BE PAID FOR AT THE CONTRACT UNIT PRICE FOR PUMP STATION MECHANICAL WORK.

FORCEMAIN NOTES:

1. THE FORCEMAIN SHALL BE DUCTILE IRON CLASS 52 PIPE CONFORMING TO AWWA C-150 WITH PUSH ON JOINTS.
2. FITTINGS SHALL BE DUCTILE IRON COMPACT MECHANICAL JOINT CONFORMING TO AWWA C-153. ALL FITTING SHALL USE LOCKING GLANDS IN LIEU OF STANDARD GLANDS.
3. THE FORCEMAIN SHALL BE INSTALLED AND TESTED IN ACCORDANCE WITH SECTION 41 OF THE STANDARD SPECIFICATIONS FOR WATER AND SEWER MAIN CONSTRUCTION IN ILLINOIS.
4. THE FORCEMAIN SHALL UTILIZE A GRANULAR BEDDING, HAUNCHING AND INITIAL BACKFILL WHICH WILL BE CONSIDERED INCIDENTAL TO THE COST OF THE FORCEMAIN.
5. FORCEMAIN SHALL INCLUDE ALL EFFORTS OF INSTALLATION INCLUDING EXCAVATION, INSTALLATION, INITIAL BEDDING, HAUNCHING AND INITIAL BACKFILL, FITTINGS, CONNECTIONS, AND TESTING. WHERE INDICATED, FINAL GRANULAR BACKFILL WILL BE PAID FOR SEPARATELY.
5. THE FORCEMAIN SHALL BE PAID FOR AT THE CONTRACT UNIT PRICE PER FOOT FOR DUCTILE IRON WATER MAIN OF THE SIZE INDICATED ON THE PLANS.

DRAINAGE STRUCTURES AND VALVE VAULT NOTES:

1. THE ACCESS HATCHES CAST INTO THE LIDS OF DRAINAGE STRUCTURES, NO. 1 SHALL BE INCLUDED IN THE CONTRACT UNIT PRICE FOR DRAINAGE STRUCTURES, NO. 1.
2. THE VALVE VAULTS AND ASSOCIATED EXCAVATION AND BACKFILL SHALL BE INCLUDED IN THE CONTRACT UNIT PRICE FOR PUMPING STATION.
3. THE VALVE VAULTS SHALL CONFORM TO ASTM C-913. THE STRUCTURE SHALL BE DESIGNED FOR EARTH LOADS AND HS-20 LIVE LOAD FOR VEHICULAR TRAFFIC.
4. THE PRECAST LID FOR DRAINAGE STRUCTURES, NO. 1 SHALL BE SEALED TO THE TOP RING SECTION WITH A DOUBLE ROW OF BUTYL MASTIC. THE LID SHALL HAVE A CAST IN PLACE ALUMINUM ACCESS FRAME AND HATCH. THE HATCH SHALL BE HINGED WITH A FLUSH LOCKING MECHANISM 36" X 36" MINIMUM CLEAR OPENING. THE TOP OF THE HATCH SHALL BE A MINIMUM 1/4" ALUMINUM DIAMOND TREAD PLATE.
5. THE PRECAST CONCRETE LID FOR DRAINAGE STRUCTURES, NO. 1 SHALL BE SEALED TO THE TOP BARREL SECTION WITH TWO ROWS OF BUTYL MASTIC. THE LID SHALL HAVE A FABRICATED GALVANIZED STEEL FRAME AND HATCH SYSTEM PER THE PLANS. ORIENTATION OF THE HATCH SYSTEM SHALL BE COORDINATED WITH THE PUMP MANUFACTURER.
6. AFTER INSTALLATION IS COMPLETE, IF THERE ARE WATER LEAKS AT JOINTS, THE CONTRACTOR SHALL WATERPROOF THE LEAKS USING DRILLED PORTS AROUND THE LEAK AND A HYDROPHILIC GROUT. IF REQUIRED, IT SHALL BE INCLUDED IN THE CONTRACT UNIT PRICE FOR DRAINAGE STRUCTURES, NO. 1.
7. ALL PENETRATIONS THROUGH THE WALLS OF THE DRAINAGE STRUCTURES SHALL BE RUBBER GASKETED CONNECTIONS CAST INTO THE CONCRETE STRUCTURE SUCH AS A-LOK, PRESS SEAL OR APPROVED EQUAL.
8. DRAINAGE STRUCTURES SHALL BE CHECKED DURING INSTALLATION AND GROUTING TO ENSURE A TRUE VERTICAL INSTALLATION. IF THE ALIGNMENT IS OFF, THE CONTRACTOR SHALL TAKE CORRECTIVE MEASURES TO SHIM THE STRUCTURE BACK TO LEVEL.
9. THE ELEVATIONS OF THE VALVE VAULT LIDS ARE POSITIONED BELOW THE FINISHED SIDEWALK ELEVATION WITH ROUGH OPENINGS CAST FOR HATCHES. THE CONTRACTOR SHALL INSTALL THE ALUMINUM HATCHES FLUSH WITH THE PROPOSED SIDEWALK GRADE AND GROUT AS NECESSARY AROUND THE ROUGH OPENING TO PROVIDE A WATERPROOF SEAL.

DRAINAGE STRUCTURES PRECAST CONCRETE MANHOLE:

1. DRAINAGE STRUCTURES SHALL BE PRECAST REINFORCED CONCRETE MANHOLES CONFORMING TO SECTION 1042 OF THE STANDARD SPECIFICATIONS. STRUCTURES SHALL BE WATER TIGHT.
2. THE EXTERIOR AND BOTTOM OF THE BASE OF THE STRUCTURES SHALL RECEIVE TWO COATS OF ASPHALT EMULSION WATERPROOFING IN ACCORDANCE WITH SECTION 503.18 OF THE STANDARD SPECIFICATIONS.
3. THE DRAINAGE STRUCTURE SECTIONS SHALL BE A MINIMUM OF 4-FT TALL WITH THE EXCEPTION OF THE FINAL SECTION. EACH SECTION SHALL BE SEALED WITH TWO (2) STRIPS OF BUTYL RUBBER SEALANT. JOINTS IN THE BUTYL RUBBER SEALANT SHALL BE OVERLAPPED TO PREVENT GAPS.

LAYOUT	LJB
DRAWN	EJM
REVIEWED	LJB

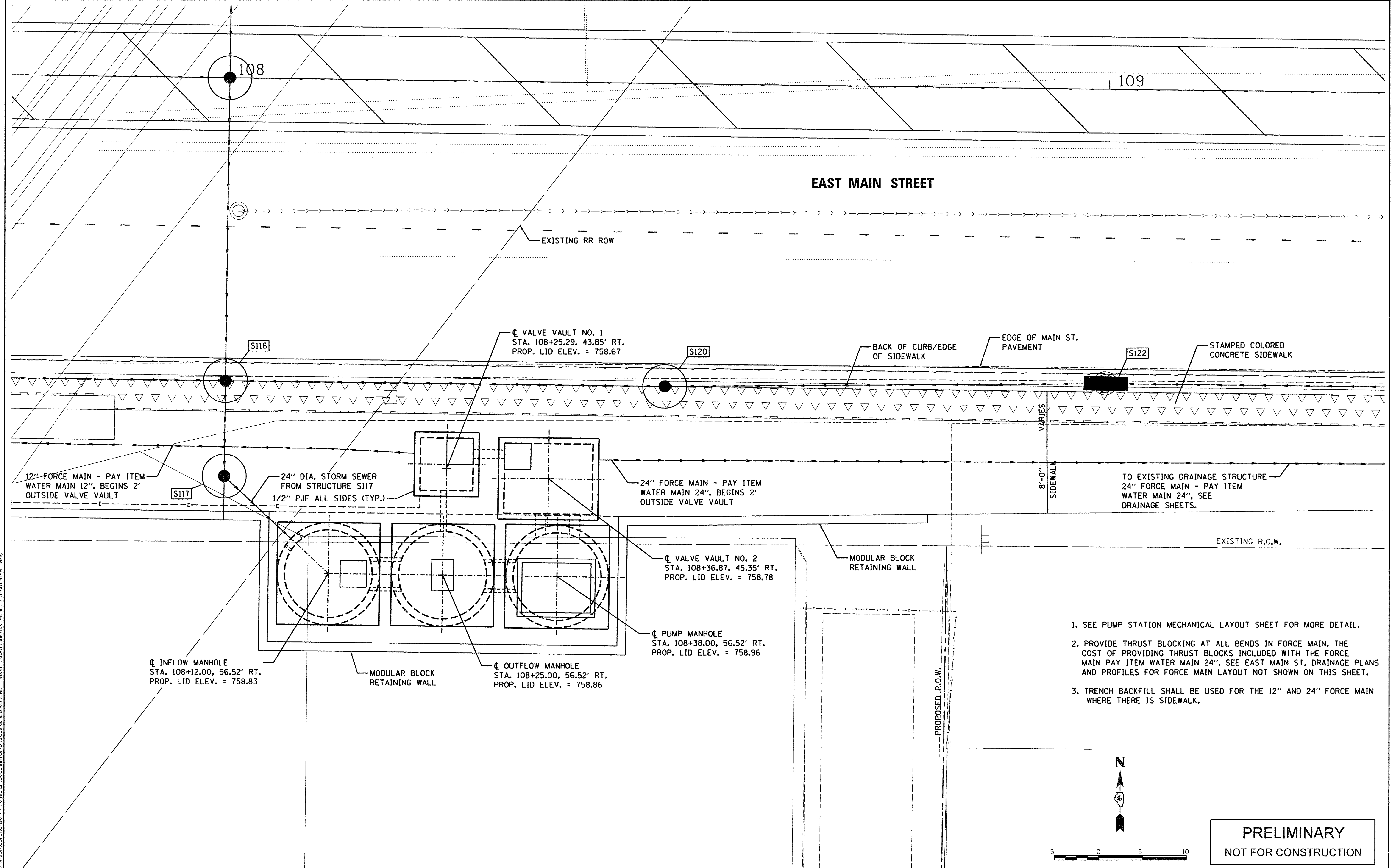
FILE NAME =	USER NAME = andr00846	DESIGNED - LJB	REVISED -
c:\pwise_work\do_not_delete\0273754\0449\0105-shit-drain005.dgn		DRAWN - EJM	REVISED -
	PLOT SCALE = 5.0000 // in.	CHECKED - LJB	REVISED -
	PLOT DATE = 9/8/2015	DATE - 9/9/2015	REVISED -

**STATE OF ILLINOIS
DEPARTMENT OF TRANSPORTATION**

EAST MAIN STREET PUMP STATION - GENERAL NOTES			
SCALE: N/A	SHEET NO.	OF SHEETS	STA. TO STA.

F.A.U. RTE.	SECTION	COUNTY	TOTAL SHEETS	SHEET NO.
6800	05-00500-19-GS	KNOX	221	48
50VB			CONTRACT NO.89417	
FED. ROAD DIST. NO. ILLINOIS FED. AID PROJECT				

P:\pwise\svr\306\hanson\dom\Hanson Projects\Documents\05\Jobs\09\0105\CAD-Phase1\Road\Sheet\0449\0105-shit-drain005



1. SEE PUMP STATION MECHANICAL LAYOUT SHEET FOR MORE DETAIL.
2. PROVIDE THRUST BLOCKING AT ALL BENDS IN FORCE MAIN. THE COST OF PROVIDING THRUST BLOCKS INCLUDED WITH THE FORCE MAIN PAY ITEM WATER MAIN 24". SEE EAST MAIN ST. DRAINAGE PLANS AND PROFILES FOR FORCE MAIN LAYOUT NOT SHOWN ON THIS SHEET.
3. TRENCH BACKFILL SHALL BE USED FOR THE 12" AND 24" FORCE MAIN WHERE THERE IS SIDEWALK.

PRELIMINARY
 NOT FOR CONSTRUCTION

LAYOUT	RLA
DRAWN	MGD
REVIEWED	LJB

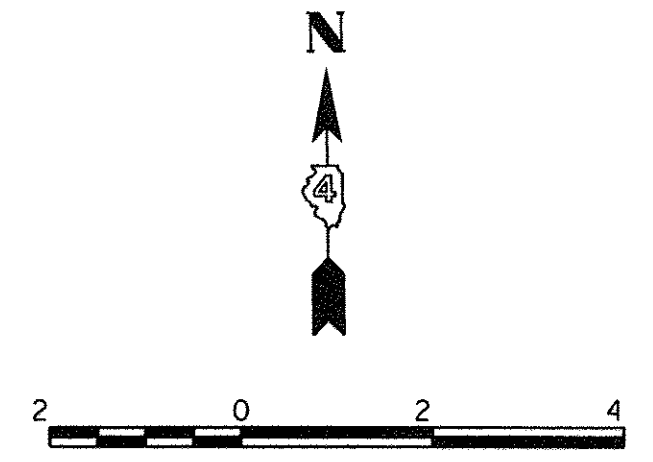
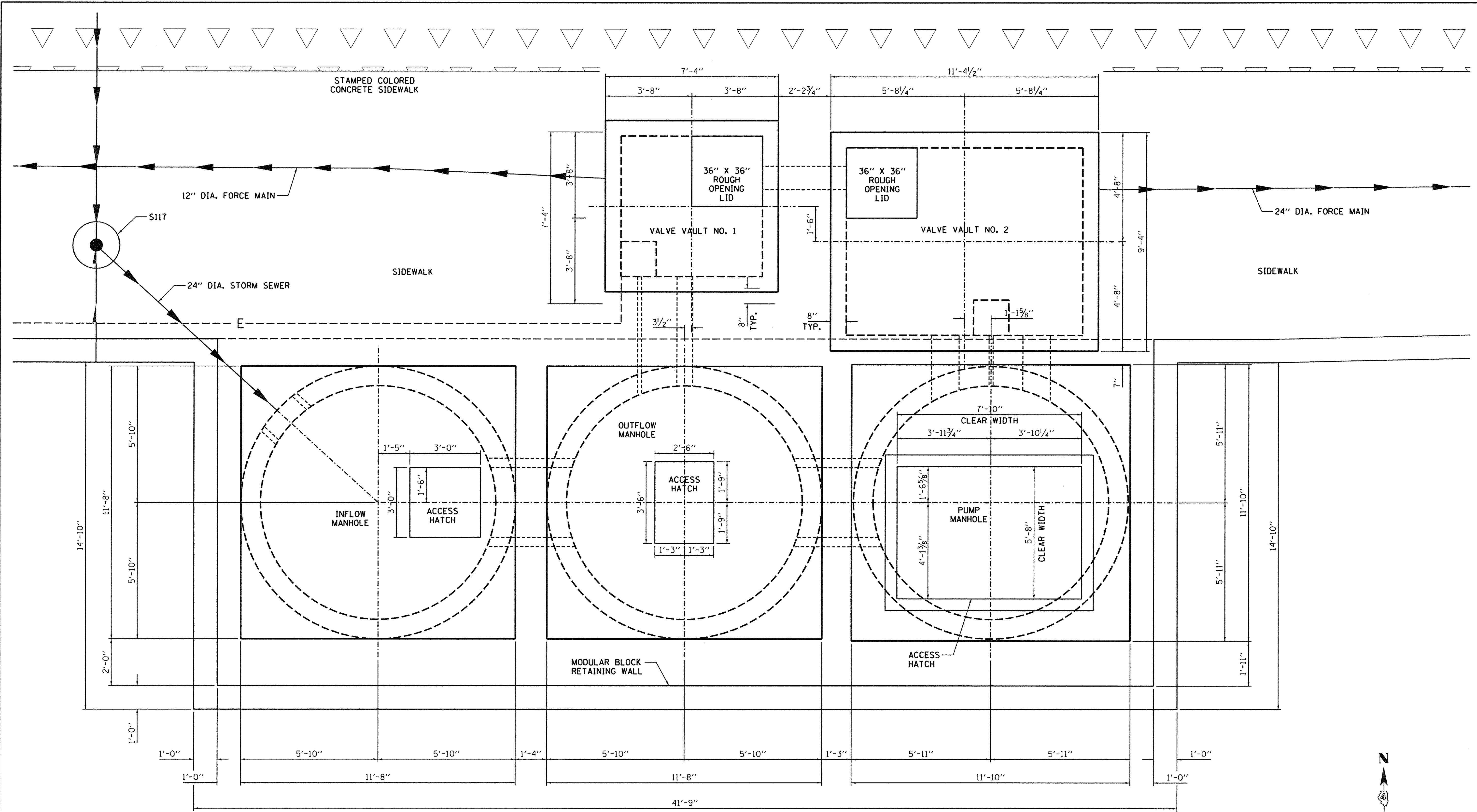
FILE NAME =	USER NAME = nder-00846	DESIGNED - RLA	REVISED -
drawn	drawn	DRAWN - MGD	REVISED -
checked	checked	CHECKED - LJB	REVISED -
date	date	DATE - 9/9/2015	REVISED -

STATE OF ILLINOIS
DEPARTMENT OF TRANSPORTATION

EAST MAIN STREET
PUMP STATION - PLAN

SCALE: 1"=5' SHEET NO. OF SHEETS STA. 500+00.00 TO STA. 503+59.40

F.A.U. RTE.	SECTION	COUNTY	TOTAL SHEETS	SHEET NO.
6800	05-00500-19-GS	KNOX	221	49
50VB		CONTRACT NO.89417		
FED. ROAD DIST. NO. ILLINOIS FED. AID PROJECT				



PRELIMINARY
 NOT FOR CONSTRUCTION

LAYOUT	LJB
DRAWN	EJM
REVIEWED	LJB

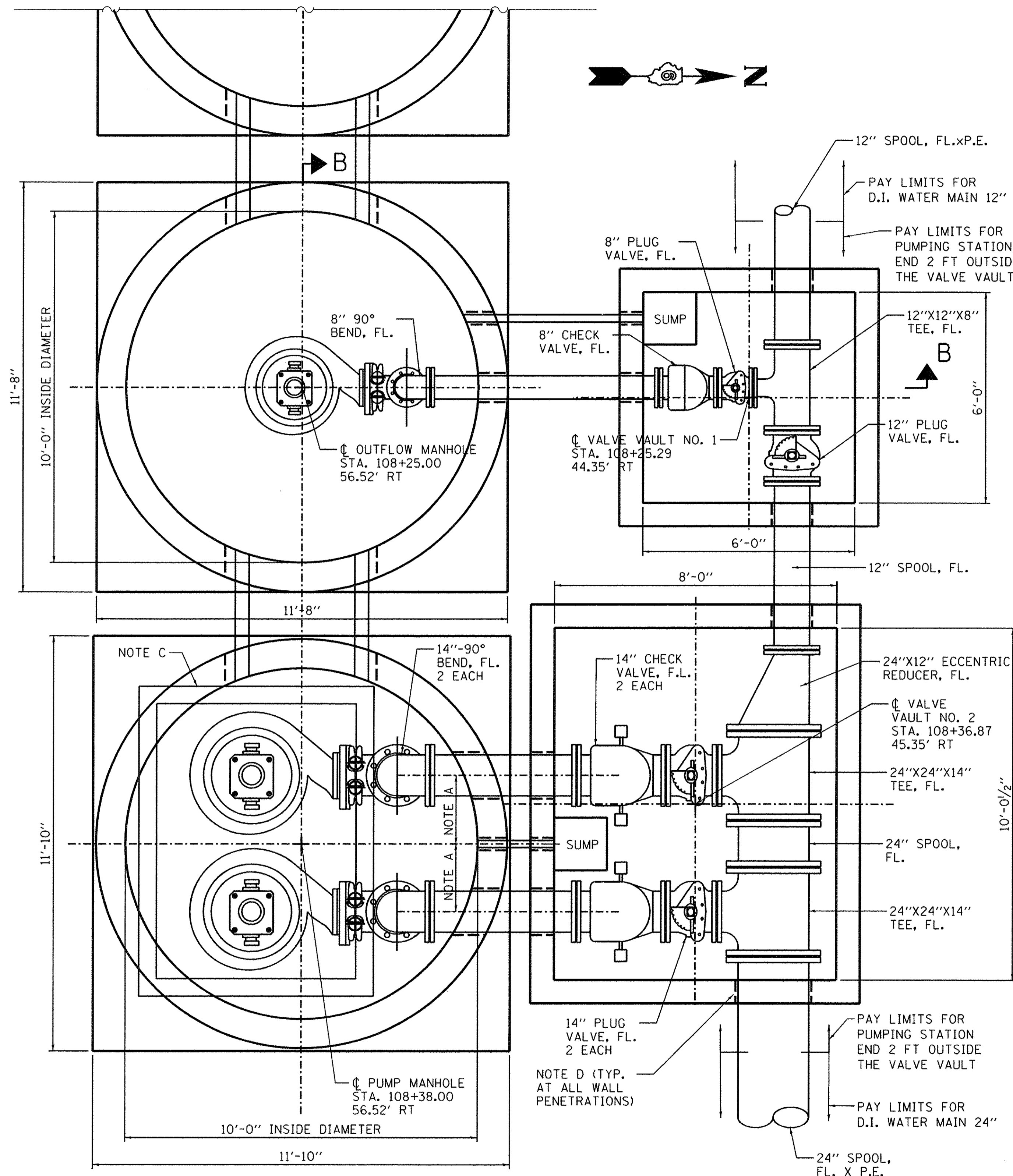
DESIGNED - LJB	REVISED -
DRAWN - EJM	REVISED -
CHECKED - LJB	REVISED -
DATE - 9/9/2015	REVISED -

STATE OF ILLINOIS
DEPARTMENT OF TRANSPORTATION

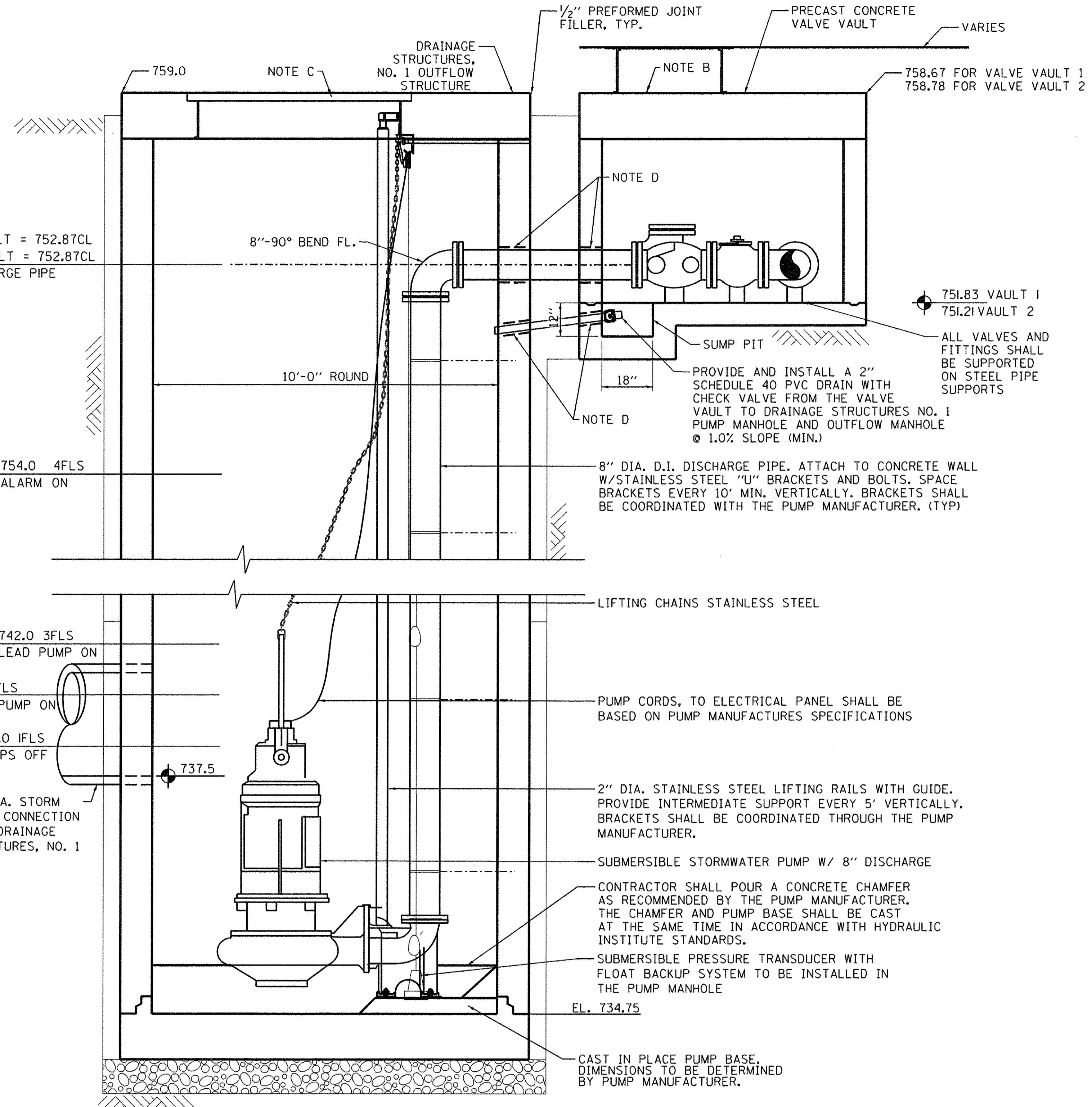
EAST MAIN STREET
PUMP STATION - PARTIAL PLAN

SCALE: 1"=2" SHEET NO. OF SHEETS STA. TO STA.

F.A.U. RTE. 6800	SECTION 05-00500-19-GS	COUNTY KNOX	TOTAL SHEETS 221	SHEET NO. 50
50VB		CONTRACT NO. 89417		
FED. ROAD DIST. NO. [ILLINOIS] FED. AID PROJECT				

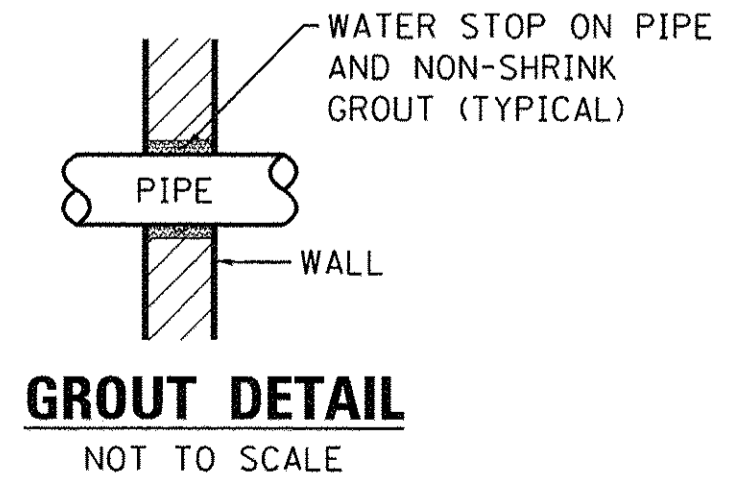


**MECHANICAL LAYOUT
 DRAINAGE STRUCTURES, NO. 1 AND VALVE VAULTS PLAN**
 NOT TO SCALE AND SHOWN WITH THE PRC LAYOUT



**MECHANICAL LAYOUT
 SECTION B-B**
 NOT TO SCALE AND SHOWN WITH THE PRC LAYOUT

- NOTES**
- A. 1.933' - CONTRACTOR TO VERIFY DIMENSION WITH PUMP MANUFACTURER FOR MINIMUM PUMP SPACING
 - B. 36" X 36" OPENING IN THE CONCRETE LID.
 - C. CUSTOM HATCH SYSTEM. SEE PUMP STATION LID DETAILS SHEET.
 - D. CAST IN PLACE RUBBER GASKET SYSTEM.
 - E. MINIMUM DISTANCE FROM FLANGE TO WALL SHALL BE 4".
 - F. UTILIZE A FLANGE ADAPTER FOR THIS JOINT.



LAYOUT	LJB
DRAWN	EJM
REVIEWED	LJB

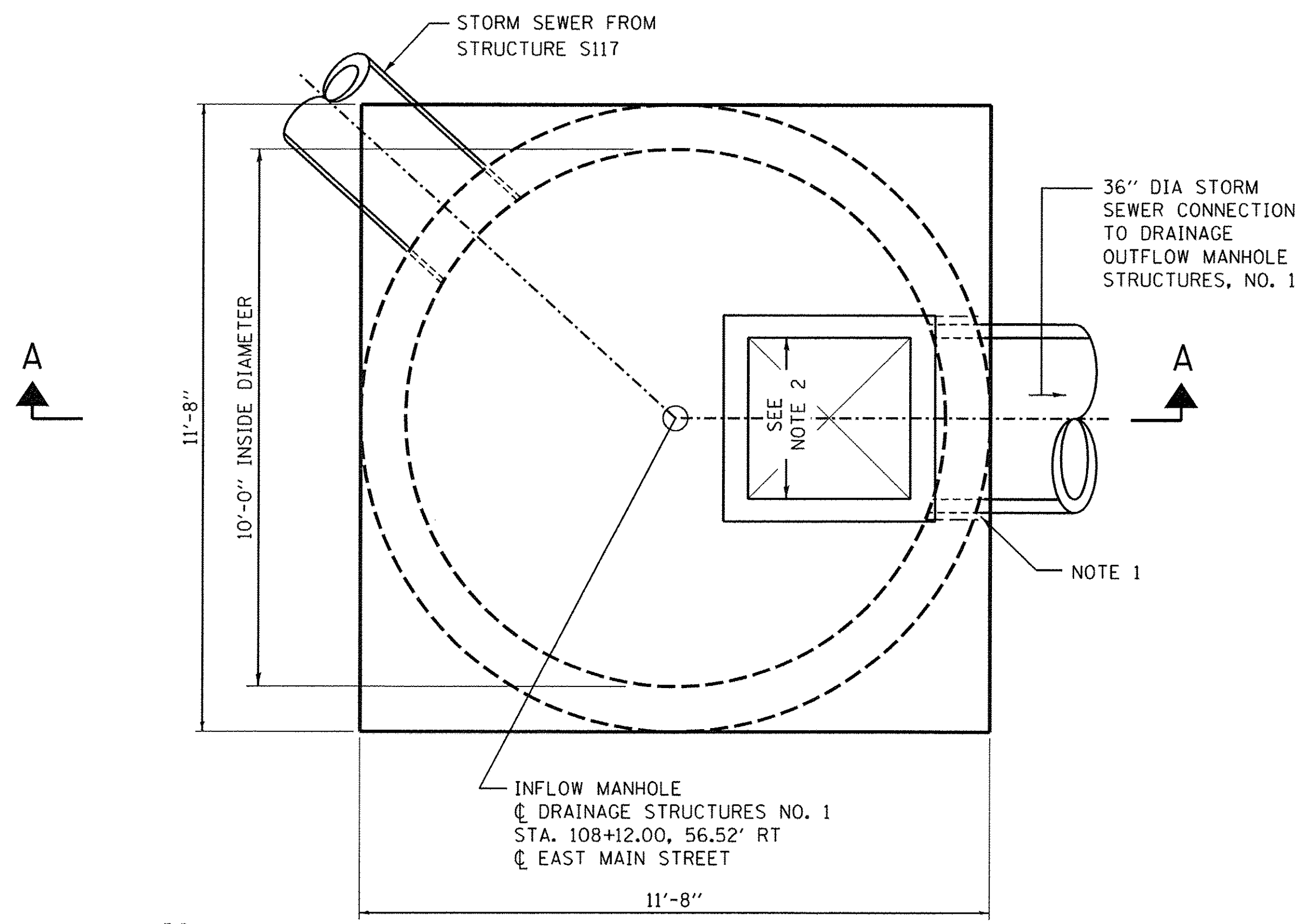
FILE NAME =	USER NAME = andr00846	DESIGNED - LJB	REVISED -
c:\pwise_work\do_not_delete\0273754\049\9L0105-shr-drain009.dgn		DRAWN - EJM	REVISED -
PLOT SCALE = 2.0000 ' / in.		CHECKED - LJB	REVISED -
PLOT DATE = 9/8/2015		DATE - 9/9/2015	REVISED -

**STATE OF ILLINOIS
 DEPARTMENT OF TRANSPORTATION**

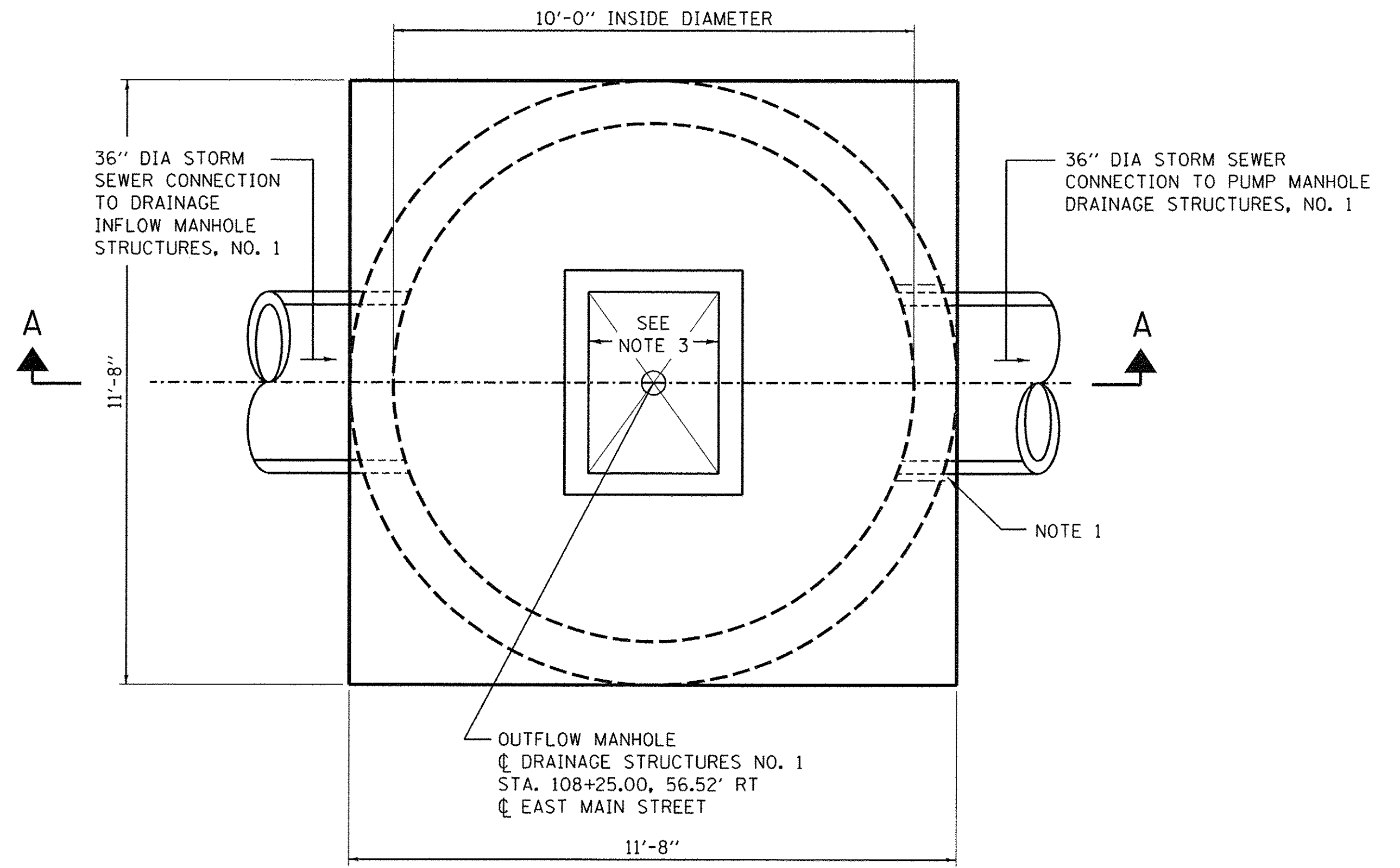
**EAST MAIN STREET
 PUMP STATION - MECHANICAL LAYOUT**

SCALE: N/A SHEET NO. OF SHEETS STA. TO STA.

F.A.U. RTE.	SECTION	COUNTY	TOTAL SHEETS	SHEET NO.
6800	05-00500-19-GS	KNOX	221	52
50VB		CONTRACT NO.89417		
FED. ROAD DIST. NO. [ILLINOIS] FED. AID PROJECT				



**INFLOW MANHOLE
 DRAINAGE STRUCTURES, NO. 1**
 PRECAST REINFORCED CONCRETE MANHOLE SECTIONS
 NOT TO SCALE
 SEE PRC PUMP STATION DETAILS SHEET FOR SECTION A-A



**OUTFLOW MANHOLE
 DRAINAGE STRUCTURES, NO. 1**
 PRECAST REINFORCED CONCRETE MANHOLE SECTIONS
 NOT TO SCALE
 SEE PRC PUMP STATION DETAILS SHEET FOR SECTION A-A

NOTES:

1. GROUT TYPICAL, SEE DETAIL ON PUMP STATION MECHANICAL LAYOUT SHEET.
2. 36" X 36" ALUMINUM ACCESS FRAME AND HATCH.
3. 42" X 30" ALUMINUM ACCESS FRAME AND HATCH.

LAYOUT	LJB
DRAWN	EJM
REVIEWED	LJB

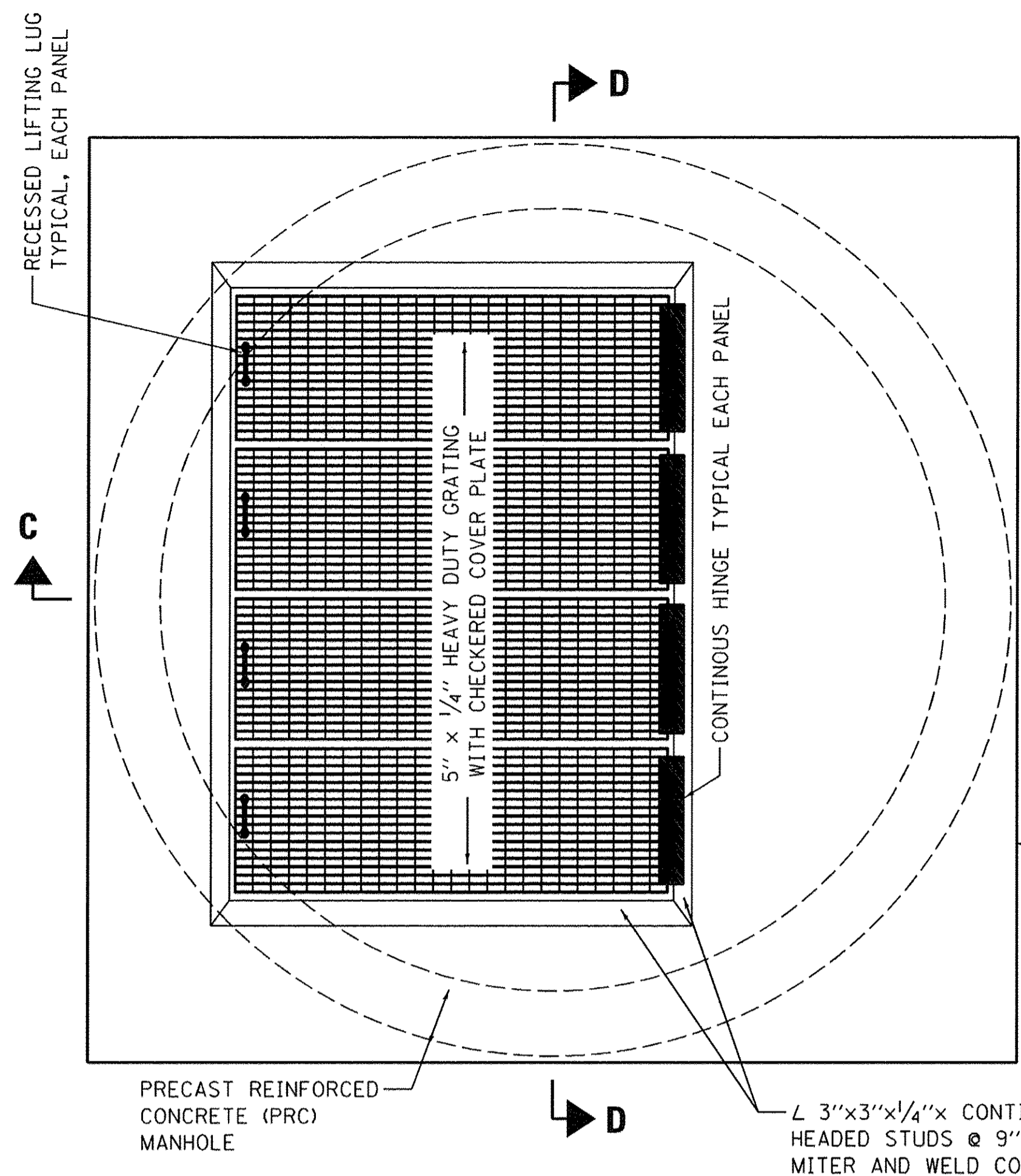
FILE NAME =	USER NAME = andr-00846
ct:\pwise_work\do_not_delete\d0273754\04	9L0105-shd-drain010.dgn
PLOT SCALE = 2.0000' / in.	CHECKED - LJB
PLOT DATE = 9/9/2015	DATE - 9/9/2015

DESIGNED - LJB	REVISED -
DRAWN - EJM	REVISED -
CHECKED - LJB	REVISED -
DATE - 9/9/2015	REVISED -

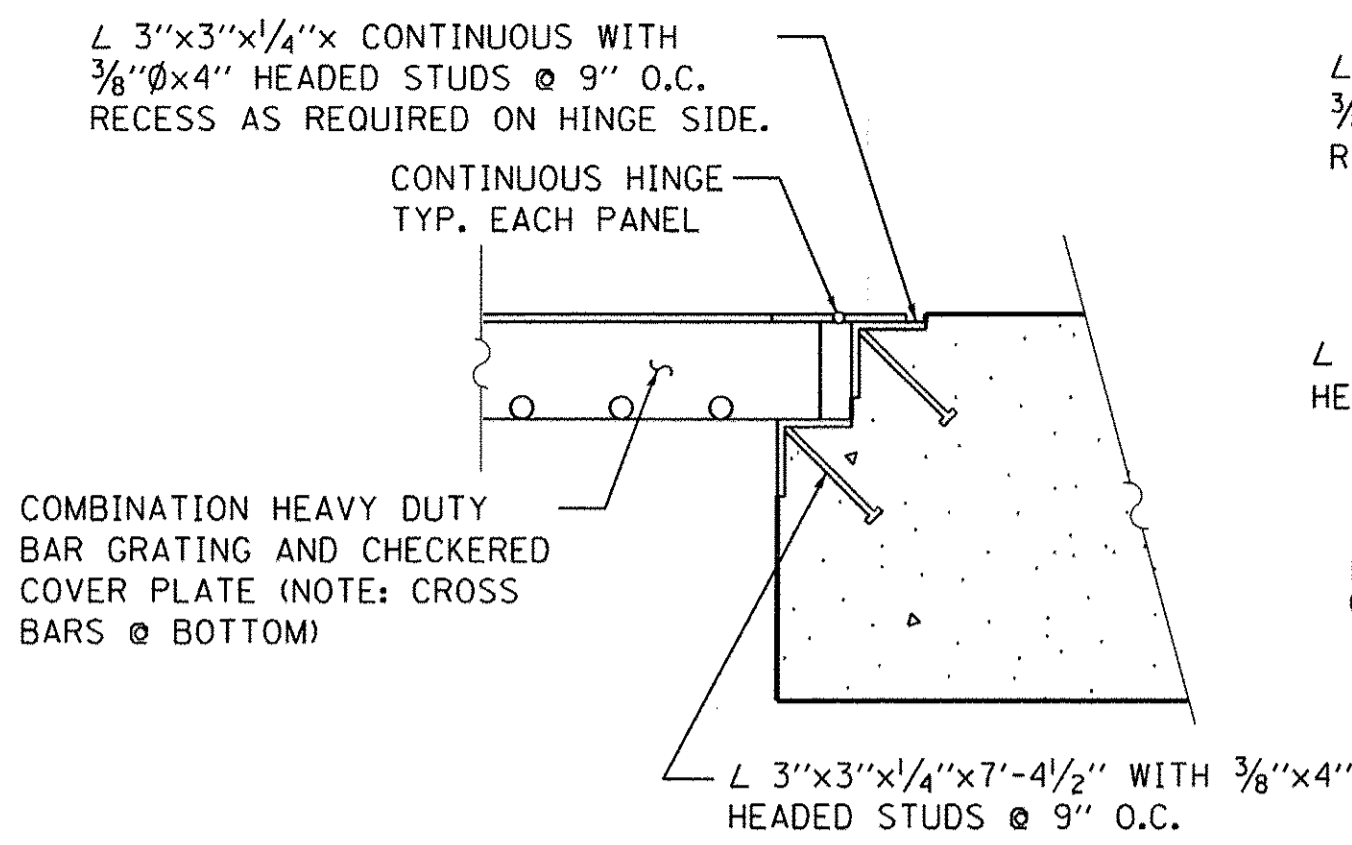
**STATE OF ILLINOIS
 DEPARTMENT OF TRANSPORTATION**

EAST MAIN STREET PUMP STATION - LID DETAILS			
SCALE: N/A	SHEET NO.	OF SHEETS	STA. TO STA.

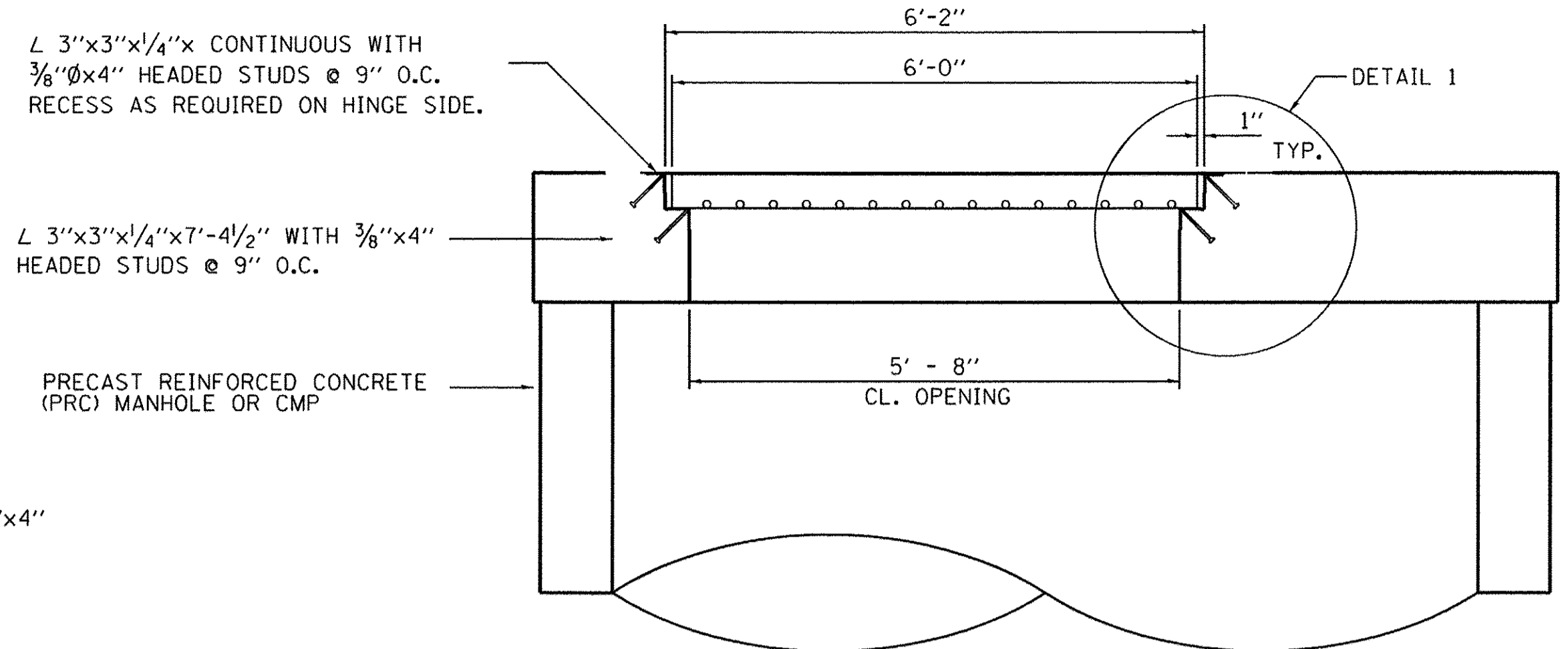
F.A.U. RTE.	SECTION	COUNTY	TOTAL SHEETS	SHEET NO.
6800	05-00500-19-GS	KNOX	221	53
50VB		CONTRACT NO.89417		
FED. ROAD DIST. NO. ILLINOIS FED. AID PROJECT				



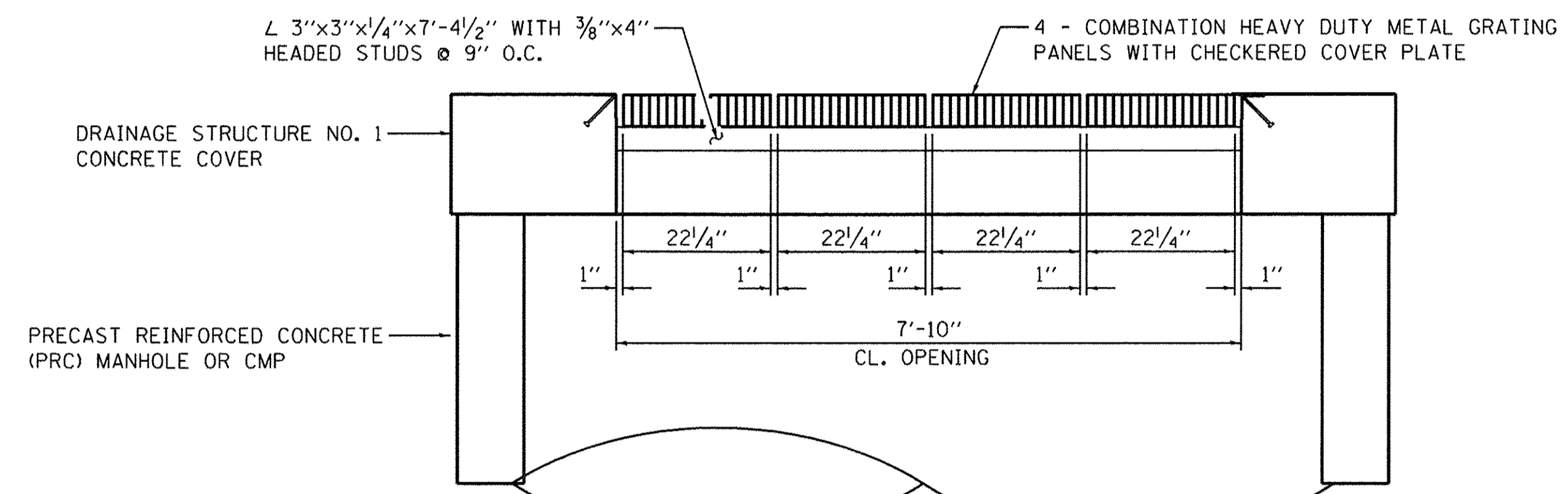
**PUMP MANHOLE
 DRAINAGE STRUCTURES, NO. 1
 PLAN**
 NOT TO SCALE



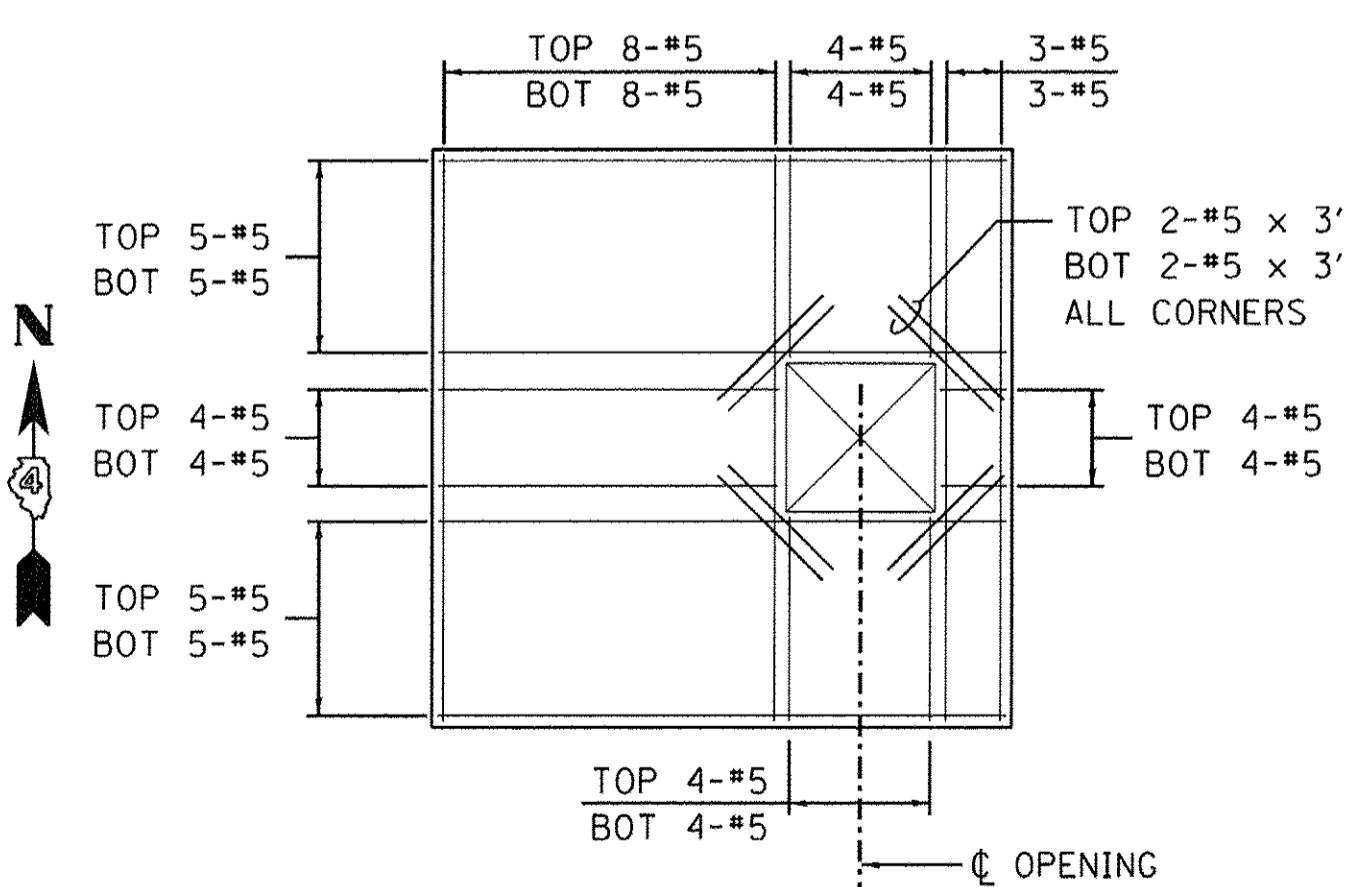
DETAIL 1



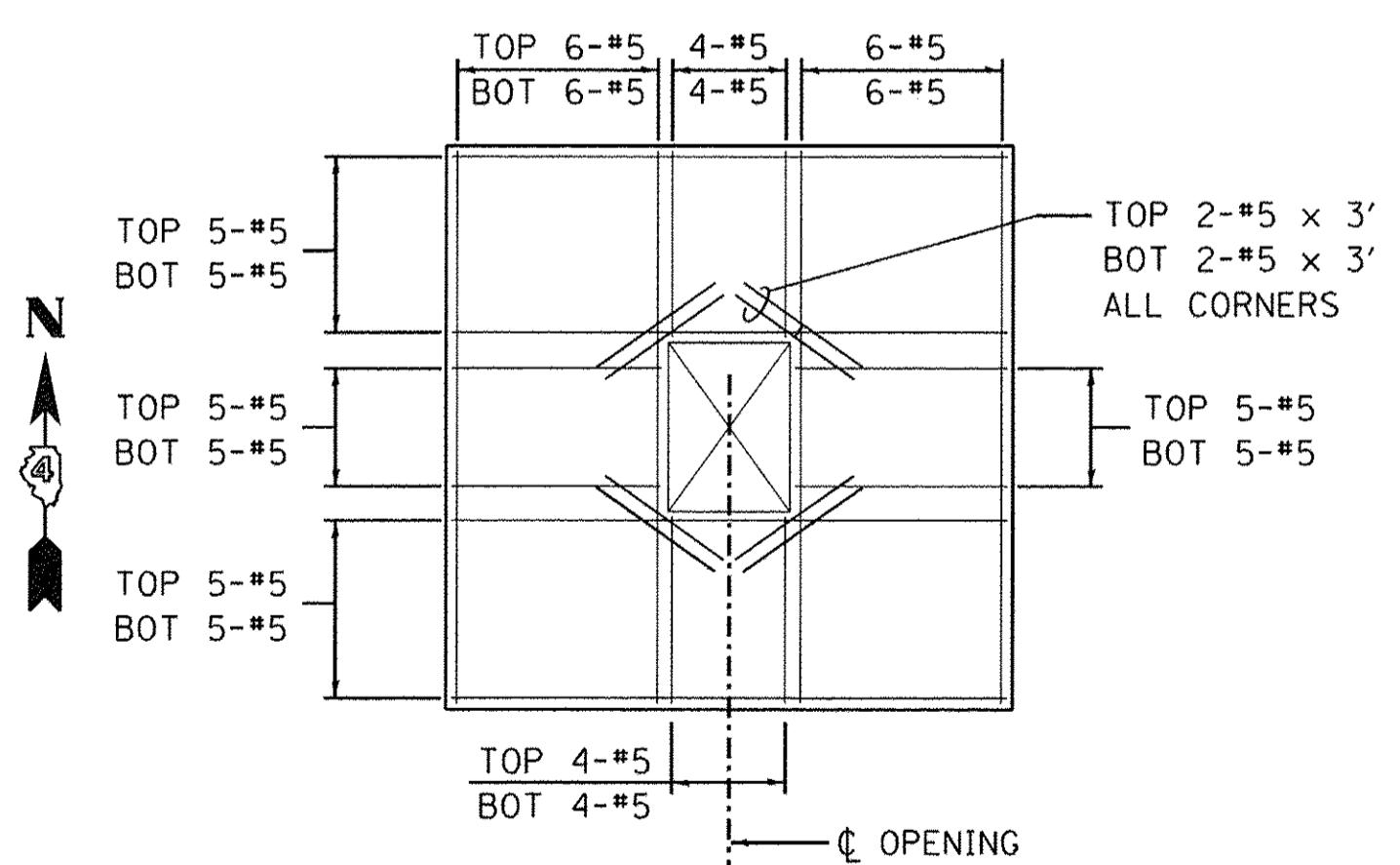
SECTION C-C
 NOT TO SCALE



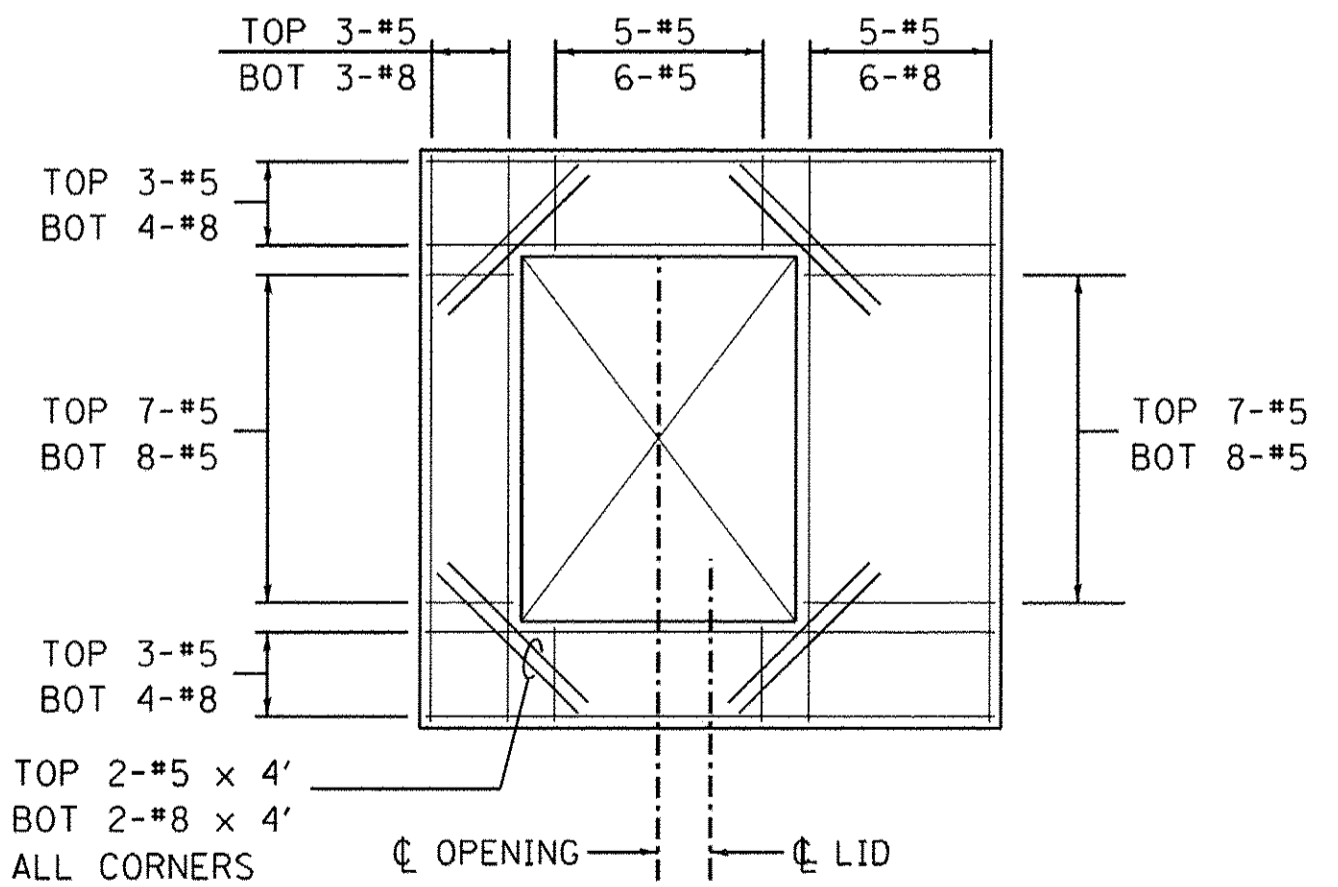
SECTION D-D
 NOT TO SCALE



NOTE: 1/2" CLEAR COVER ON ALL REINFORCEMENT
**DRAINAGE STRUCTURES, NO. 1
 INFLOW MANHOLE
 LID REINFORCING PLAN**
 NOT TO SCALE



NOTE: 1/2" CLEAR COVER ON ALL REINFORCEMENT
**DRAINAGE STRUCTURES, NO. 1
 OUTFLOW MANHOLE
 LID REINFORCING PLAN**
 NOT TO SCALE



NOTE: 1/2" CLEAR COVER ON ALL REINFORCEMENT
**DRAINAGE STRUCTURES, NO. 1
 PUMP MANHOLE LID REINFORCING PLAN**
 NOT TO SCALE

DRAINAGE STRUCTURES, NO. 1 GRATING COVER NOTES:

1. LOADING: LIVE LOAD= AASHTO HL-93 TRUCK LOAD AND ALTERNATE TANDEM LOAD.
2. COMBINATION HEAVY DUTY WELDED STEEL W-SERIES GRATING AND WELDED 1/4" CHECKERED COVERED PLATE.
3. 22-W-4 GRATING; 5" X 1/4" PLAIN BEARING BARS @ 1 3/8" O.C. AND CROSS BARS @ 4" O.C.
4. GALVANIZED FINISH FOR GRATING, PLATE AND ACCESSORIES.
5. STEEL PLATE, BAR, AND ANGLES; AASHTO M270/ASTM A709, GRADE 36.
6. HEADED STUDS: AASHTO M169/ASTM A108, GRADE 1015, 1018, OR 1020 AUTOMATIC END WELDED TO BASE METAL.
7. WELD METAL: AWS D1.5
8. PROVIDE LIFTING LUG AND HINGE CONNECTION AT OPPOSITE ENDS OF EACH PANEL PER GRATING MANUFACTURERS STANDARD DETAILS CAPABLE OF SUPPORTING THE WEIGHT OF THE COMBINATION GRATING AND COVER PLATE, AND CAPABLE OF OPENING 180°.
9. LOCATION AND ARRANGEMENT OF THE HATCH TO BE COORDINATED WITH THE PUMP MANUFACTURER

LAYOUT	LJB
DRAWN	EJM
REVIEWED	LJB

FILE NAME =	USER NAME = nder00846	DESIGNED - LJB	REVISED -
ct:\pwise_work\do_not_delete\0273754\0409\0105-shd-drain011.dgn		DRAWN - EJM	REVISED -
PLT SCALE = 5.0000 ' / 1"		CHECKED - LJB	REVISED -
PLT DATE = 9/9/2015		DATE - 9/9/2015	REVISED -

**STATE OF ILLINOIS
 DEPARTMENT OF TRANSPORTATION**

EAST MAIN STREET PUMP STATION - LID DETAILS			
SCALE: N/A	SHEET NO.	OF SHEETS	STA. TO STA.

F.A.U. RTE.	SECTION	COUNTY	TOTAL SHEETS	SHEET NO.
6800	05-00500-19-GS	KNOX	221	54
50VB		CONTRACT NO.89417		
FED. ROAD DIST. NO. [ILLINOIS] FED. AID PROJECT				

GENERAL LEGEND

PLAN

ONE-LINE

	SINGLE POLE SWITCH
	TWO POLE SWITCH
	THREE WAY SWITCH
	FOUR WAY SWITCH
	FRACTIONAL H.P. MANUAL STARTER
	WEATHERPROOF SWITCH
	MOMENTARY CONTACT SINGLE POLE DOUBLE THROW SWITCH
	SIMPLEX RECEPTACLE
	EXPLOSION PROOF SIMPLEX RECEPTACLE
	DUPLEX RECEPTACLE
	WEATHERPROOF DUPLEX RECEPTACLE
	DUPLEX RECEPTACLE W/GROUND FAULT INTERRUPTOR
	QUADRUPLEX RECEPTACLE
	SPECIAL PURPOSE OUTLET (IDENTIFIED ON PLANS)
	PLUG
	JUNCTION BOX (LINE GOES TO BOX)
	EXPLOSION PROOF JUNCTION BOX (LINE GOES TO BOX)
	GROUND ROD
	DISCONNECT SWITCH. * = AMPERAGE RATING.
	POWER POLE OR RISER POLE
	LIGHT FIXTURE. * = TYPE
	EXPLOSION PROOF LIGHT FIXTURE * = TYPE
	CONDUIT (EXPOSED)
	CONDUIT (CONCEALED OR BURIED)
	OVERHEAD ELECTRIC
	* 12 THWN UNLESS OTHERWISE SPECIFIED. LONG AND SHORT HASH LINES DENOTE NUMBER OF CURRENT CARRYING WIRES. G = SEPARATE GROUND WIRE.
	LIGHTING PANEL
	POWER PANEL
	PANEL OR ENCLOSURE

	SURGE PROTECTOR/TVSS DEVICE
	ELECTRIC UTILITY SERVICE METER AND BASE
	CAPACITOR
	TRANSFORMER
	CABLE TERMINAL OR LUGS
	GENERATOR
	COMBINATION CIRCUIT BREAKER/STARTER WITH OVERLOAD PROTECTION. * = NEMA SIZE NO.
	GROUND - GROUND ROD, CHASSIS, BUS, OR AT EARTH POTENTIAL
	MOTOR
	EXPLOSION PROOF MOTOR
	MOTOR, * = HORSEPOWER
	CIRCUIT BREAKER
	ADJUSTABLE MOTOR CIRCUIT PROTECTOR TYPE BREAKER
	THERMAL-MAGNETIC CIRCUIT BREAKER
	FUSE
	DISCONNECT SWITCH
	FUSIBLE DISCONNECT SWITCH
	THERMAL OVERLOAD PROTECTION
	EXPLOSION PROOF CONDUIT SEAL-OFF FITTING
	TRANSFER SWITCH
	JUNCTION BOX WITH SPLICE
	GROUND BUS OR LUG
	NEUTRAL BUS
	PANELBOARD WITH MAIN BREAKER
	PANELBOARD WITH MAIN MAIN LUGS

ELECTRICAL ABBREVIATIONS	
A.F.F.	ABOVE FINISHED FLOOR
A, AMP	AMPERES
ATS	AUTOMATIC TRANSFER SWITCH
AWG	AMERICAN WIRE GAUGE
BKR	BREAKER
C	CONDUIT
CB	CIRCUIT BREAKER
CKT	CIRCUIT
CR	CONTROL RELAY
CU	COPPER
DPDT	DOUBLE POLE DOUBLE THROW
DPST	DOUBLE POLE SINGLE THROW
EM	EMERGENCY
EMT	ELECTRICAL METALLIC TUBING
ENCL	ENCLOSURE
EP	EXPLOSION PROOF
ES	EMERGENCY STOP
ETL	INTERTEK - ELECTRICAL TESTING LABS
ETM	ELAPSE TIME METER
GFCI	GROUND FAULT CIRCUIT INTERRUPTER
GFI	GROUND FAULT INTERRUPTER
GND	GROUND
GRSC	GALVANIZED RIGID STEEL CONDUIT
HID	HIGH INTENSITY DISCHARGE
HOA	HAND OFF AUTOMATIC
HP	HORSEPOWER
HPS	HIGH PRESSURE SODIUM
J	JUNCTION BOX
KVA	KILOVOLT AMPERE(S)
KW	KILOWATTS
LC	LIGHTING CONTACTOR
LTFMC	LIQUID TIGHT FLEXIBLE METAL CONDUIT (UL LISTED)
LTG	LIGHTING
LP	LIGHTING PANEL
MAX	MAXIMUM
MCB	MAIN CIRCUIT BREAKER
MCM	THOUSAND CIRCULAR MIL
MDP	MAIN DISTRIBUTION PANEL
MFR	MANUFACTURER
MH	METAL HALIDE
MIN	MINIMUM
MLO	MAIN LUGS ONLY
NEC	NATIONAL ELECTRICAL CODE (NFPA 70)
NC	NORMALLY CLOSED
NO	NORMALLY OPEN
NTS	NOT TO SCALE
OHE	OVERHEAD ELECTRIC
OL	OVERLOAD

ELECTRICAL ABBREVIATIONS (CONTINUED)	
PB	PULL BOX
PC	PHOTO CELL
PDB	POWER DISTRIBUTION BLOCK
PNL	PANEL
RCPT	RECEPTACLE
R	RELAY
S	STARTER
SPD	SURGE PROTECTION DEVICE
SPST	SINGLE POLE SINGLE THROW
TVSS	TRANSIENT VOLTAGE SURGE SUPPRESSOR
TYP	TYPICAL
UG	UNDERGROUND
UGE	UNDERGROUND ELECTRIC
UL	UNDERWRITER'S LABORATORIES
V	VOLTS
W/	WITH
W/O	WITHOUT
WP	WEATHER PROOF
XFER	TRANSFER
XFMR	TRANSFORMER

NOTES:

- CONTRACTOR SHALL EXAMINE THE SITE TO DETERMINE EXISTING SITE CONDITIONS.
- ALL ELECTRICAL EQUIPMENT AND MATERIALS SHALL BE INSTALLED IN CONFORMANCE WITH NFPA 70 - NATIONAL ELECTRICAL CODE (NEC) MOST CURRENT ISSUE IN FORCE, THE RESPECTIVE EQUIPMENT MANUFACTURER'S DIRECTIONS AND ALL OTHER APPLICABLE LOCAL CODES, LAWS, ORDINANCES, AND REQUIREMENTS IN FORCE. ANY INSTALLATIONS WHICH VOID THE U.L. LISTING, INTERTEK TESTING SERVICES VERIFICATION/ETL LISTING (OR OTHER THIRD PARTY LISTING) AND/OR THE MANUFACTURER'S WARRANTY OF A DEVICE WILL NOT BE PERMITTED.
- ALL WORK, POWER OUTAGES, AND/OR SHUT DOWN OF EXISTING SYSTEMS SHALL BE COORDINATED WITH THE OWNER. ONCE SHUT DOWN, THE CIRCUITS SHALL BE LABELED AS SUCH TO PREVENT ACCIDENTAL ENERGIZING OF THE RESPECTIVE CIRCUITS. ALL PERSONNEL SHALL FOLLOW U.S. DEPARTMENT OF LABOR OCCUPATIONAL SAFETY & HEALTH ADMINISTRATION (OSHA) 29 CFR PART 1910 OCCUPATIONAL SAFETY & HEALTH STANDARDS FOR ELECTRICAL SAFETY AND LOCKOUT/TAGOUT PROCEDURES INCLUDING, BUT NOT LIMITED TO, 29 CFR SECTION 1910.147 THE CONTROL OF HAZARDOUS ENERGY (LOCKOUT/TAGOUT).

480Y/277 VAC, 3 PHASE, 4 WIRE
 PHASE A BROWN
 PHASE B ORANGE
 PHASE C YELLOW
 NEUTRAL GRAY
 GROUND GREEN

120/240 VAC, 1 PHASE, 3 WIRE
 PHASE A BLACK
 PHASE B RED
 NEUTRAL WHITE
 GROUND GREEN
- LTFMC DENOTES LIQUID TIGHT FLEXIBLE METAL CONDUIT UL LISTED, SUNLIGHT RESISTANT, & SUITABLE FOR GROUNDING. LIQUID TIGHT FLEXIBLE METAL CONDUIT AND ASSOCIATED FITTINGS SHALL BE UL LISTED TO MEET THE REQUIREMENTS OF NEC 350.6. LIQUID TIGHT FLEXIBLE METAL CONDUIT THAT IS USED FOR FLEXIBILITY (INCLUDING CONNECTIONS TO ENGINE GENERATOR SET & TRANSFORMERS) SHALL REQUIRE AN EXTERNAL BONDING JUMPER OR INTERNAL EQUIPMENT GROUNDING CONDUCTOR PER NEC 350.60. DO NOT INSTALL LTFMC THAT IS NOT UL LISTED. CONFIRM LTFMC BEARS THE UL LABEL PRIOR TO INSTALLATION.
- ALL ENCLOSURES RATED NEMA 4, 4X SHALL HAVE WATERTIGHT HUBS AT CONDUIT ENTRANCES U.L. LISTED NEMA 4, 4X FOR THE RESPECTIVE ENCLOSURE, TO MAINTAIN THE NEMA 4, 4X RATING.
- INTRINSICALLY SAFE CONDUCTORS SHALL MAINTAIN SEPARATION FROM POWER WIRING AND NON-INTRINSICALLY SAFE CONDUCTORS IN ACCORDANCE WITH NEC 504.30 "SEPARATION OF INTRINSICALLY SAFE CONDUCTORS."

© Copyright Hanson Professional Services Inc. 2015
HANSON
 Hanson Professional Services Inc.

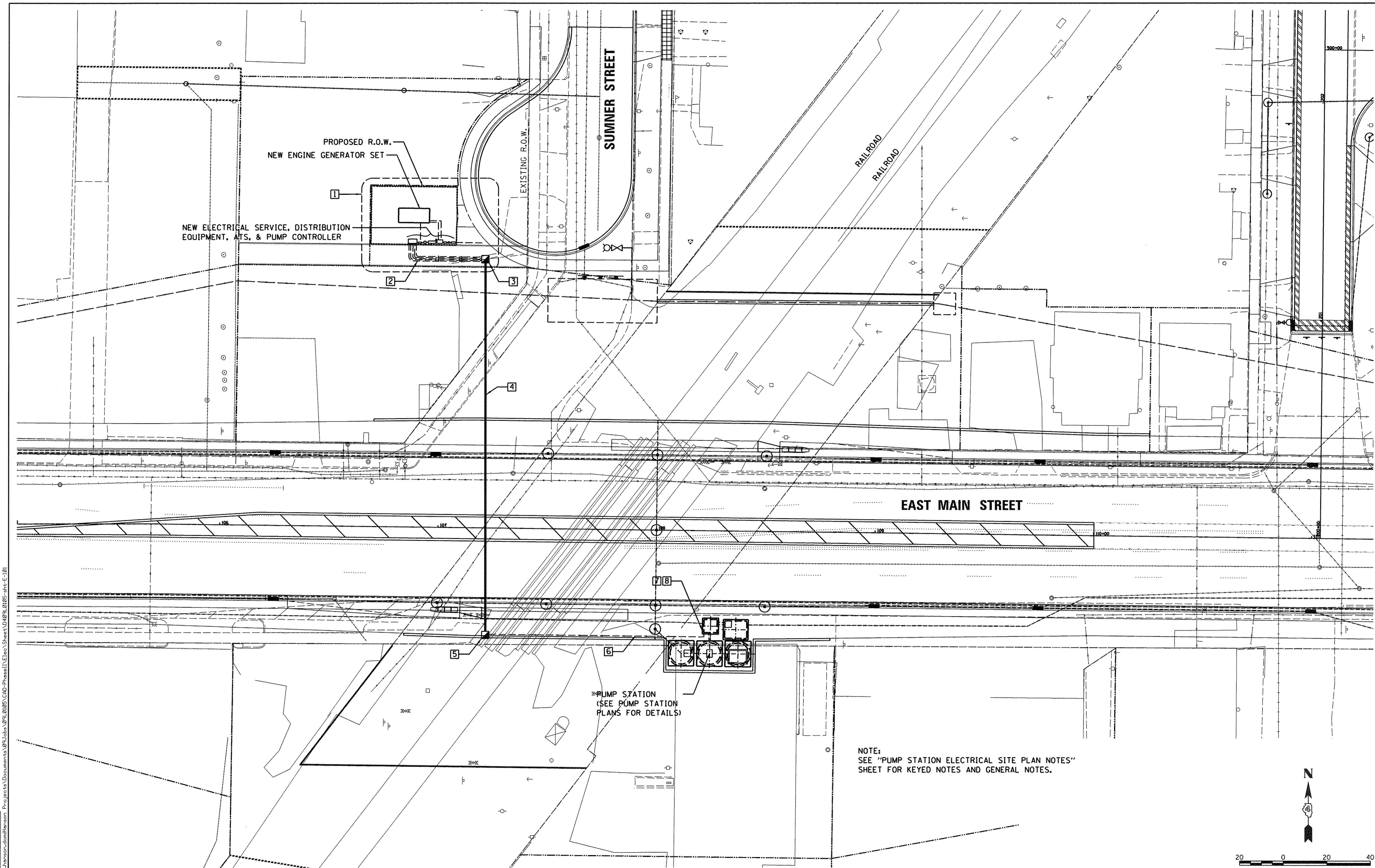
LAYOUT: KNL
 DRAWN: EJM
 REVIEWED: RDN/KNL
 FILE NAME: c:\pwise_work\do_not_delete\10273649\1049\9L0105-sh-t-E-001.dgn
 USER NAME: nder00846
 DESIGNED: KNL
 DRAWN: EJM
 CHECKED: RDN/KNL
 PLOT DATE: 9/8/2015
 PLOT SCALE: 1.0000' / 1 in.
 DATE: 9/9/2015

**STATE OF ILLINOIS
DEPARTMENT OF TRANSPORTATION**

**EAST MAIN STREET
ELECTRICAL LEGEND, ABBREVIATIONS, & NOTES**

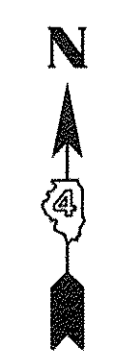
F.A.U. RTE.	SECTION	COUNTY	TOTAL SHEETS	SHEET NO.
6800	05-00500-19-GS	KNOX	221	55
50VB		CONTRACT NO.89417		
FED. ROAD DIST. NO.	ILLINOIS FED. AID PROJECT			

SCALE: N/A SHEET NO. OF SHEETS STA. TO STA.



*PUMP STATION
 (SEE PUMP STATION
 PLANS FOR DETAILS)

NOTE:
 SEE "PUMP STATION ELECTRICAL SITE PLAN NOTES"
 SHEET FOR KEYED NOTES AND GENERAL NOTES.



LAYOUT	KNL
DRAWN	EJM
REVIEWED	RDN/KNL

FILE NAME =	USER NAME = andr00846
	PL0105-sht-E-101.dgn
	PLOT SCALE = 20.0000' / 1"
	PLOT DATE = 9/8/2015

DESIGNED -	KNL	REVISED -	
DRAWN -	EJM	REVISED -	
CHECKED -	RDN/KNL	REVISED -	
DATE -	9/9/2015	REVISED -	

**STATE OF ILLINOIS
 DEPARTMENT OF TRANSPORTATION**

**EAST MAIN STREET
 PUMP STATION ELECTRICAL SITE PLAN**

SCALE: 1"=20' SHEET NO. OF SHEETS STA. TO STA.

F.A.U. RTE.	SECTION	COUNTY	TOTAL SHEETS	SHEET NO.
6800	05-00500-19-GS	KNOX	221	56
	50VB		CONTRACT NO.89417	
FED. ROAD DIST. NO.	ILLINOIS FED. AID PROJECT			

KEYED NOTES:

1. SEE ELECTRIC SERVICE AND GENERATOR SITE PLAN FOR EQUIPMENT LAYOUT. COORDINATE ELECTRIC SERVICE WITH THE SERVING ELECTRIC UTILITY COMPANY. VERIFY ELECTRIC SERVICE UTILITY TRANSFORMER LOCATIONS WITH THE SERVING ELECTRIC UTILITY COMPANY; AMEREN, PHONE: 1-888-659-4540, AND THE AMEREN CUSTOMER SERVICE REP; MS. JULIE CONE, PHONE: 309-345-5169, CELL PHONE: 309-368-6248.
2. 3-3 INCH SCHEDULE 40 PVC CONDUITS WITH PUMP MOTOR CONDUCTORS, 1-2 INCH GRSC WITH PUMP STATION SUBMERSIBLE LEVEL TRANSDUCER CABLES, 1-2 INCH SCHEDULE 40 PVC CONDUITS WITH FLOAT SWITCH INTRINSICALLY SAFE WIRING FROM PUMP CONTROL PANEL TO ELECTRICAL MANHOLE #1. TRANSITION TO GRSC WHERE EMERGING FROM GRADE. INCLUDE EQUIPMENT GROUND WIRE(S) WITH EACH CIRCUIT. EXTEND CABLES, WIRING AND CONDUCTORS TO THE PUMP STATION WET WELL.
3. ELECTRICAL MANHOLE NO. 1. SEE DETAILS.
4. 6-WAY CONCRETE ENCASED DUCT BANK FROM ELECTRICAL MANHOLE NO. 1 TO ELECTRICAL MANHOLE NO. 2. 6-WAY DUCT BANK SHALL INCLUDE 4 -4 INCH SCHEDULE 40 PVC DUCTS, 1-2 INCH SCHEDULE 40 PVC DUCT, AND 1-2 INCH GALVANIZED RIGID STEEL DUCT. SEE DETAILS FOR DUCT BANK.
5. ELECTRICAL MANHOLE NO. 2. SEE DETAILS.
6. 3-3 INCH SCHEDULE 40 PVC CONDUITS WITH PUMP MOTOR CONDUCTORS, 1-2 INCH PVC COATED GRSC WITH PUMP STATION SUBMERSIBLE LEVEL TRANSDUCER CABLES, 1-2 INCH SCHEDULE 40 PVC CONDUITS WITH FLOAT SWITCH INTRINSICALLY SAFE WIRING FROM ELECTRICAL MANHOLE #2 TO RESPECTIVE JUNCTION BOXES AT PUMP STATION WET WELL. TRANSITION TO PVC COATED GRSC WHERE EMERGING FROM GRADE AT THE PUMP STATION.
7. PROVIDE NEMA 4X STAINLESS STEEL JUNCTION BOX FOR EACH SET OF SUBMERSIBLE PUMP MOTOR CABLES. SPLICE PUMP MOTOR CABLES TO PUMP MOTOR CONDUCTORS IN EACH RESPECTIVE JUNCTION BOX. INCLUDE STAINLESS STEEL STRUT SUPPORT AND MOUNTING HARDWARE. SEE DETAILS.
8. PROVIDE NEMA 4X STAINLESS STEEL JUNCTION BOX FOR FLOAT SWITCH CABLES AND PUMP STATION SUBMERSIBLE LEVEL TRANSDUCER CABLE. INTRINSICALLY SAFE CONDUCTORS SHALL MAINTAIN SEPARATION FROM POWER AND NON-INTRINSICALLY SAFE CONDUCTORS IN ACCORDANCE WITH NEC 504.30 "SEPARATION OF INTRINSICALLY SAFE CONDUCTORS". INTRINSICALLY SAFE CONDUCTORS FOR FLOAT SWITCH WIRING SHALL HAVE LIGHT BLUE COLORED INSULATION IN ACCORDANCE WITH NEC 504.80 (C). SEE DETAILS.

GENERAL NOTES:

1. ALL ELECTRICAL WORK SHALL COMPLY WITH THE REQUIREMENTS OF NFPA 70 - NATIONAL ELECTRICAL CODE (NEC), MOST CURRENT ISSUE IN FORCE, AND ALL OTHER APPLICABLE LOCAL CODES, LAWS, ORDINANCES, AND REQUIREMENTS IN FORCE. ELECTRICAL EQUIPMENT AND MATERIALS SHALL BE INSTALLED IN CONFORMANCE WITH THE RESPECTIVE MANUFACTURER'S DIRECTIONS AND RECOMMENDATIONS FOR THE RESPECTIVE APPLICATION. ANY INSTALLATIONS WHICH VOID THE UL LISTING, ETL LISTING, FM APPROVAL, OR OTHER THIRD PARTY LISTING, AND/OR THE MANUFACTURER'S WARRANTY OF A DEVICE WILL NOT BE PERMITTED.
2. CONTRACTOR SHALL EXAMINE THE SITE TO DETERMINE THE EXTENT OF THE WORK. CONTRACTOR SHALL FIELD VERIFY EXISTING SITE CONDITIONS.
3. CONTRACTOR SHALL COORDINATE WORK AND ANY POWER OUTAGES WITH THE OWNER'S REPRESENTATIVE. ANY SHUTDOWN OF EXISTING SYSTEMS SHALL BE SCHEDULED WITH AND APPROVED BY THE OWNER'S REPRESENTATIVE. PRIOR TO SHUTDOWN. ONCE SHUT DOWN, THE CIRCUITS SHALL BE LABELED AS SUCH TO PREVENT ACCIDENTAL ENERGIZING OF THE RESPECTIVE CIRCUITS. ALL PERSONNEL SHALL FOLLOW U.S. DEPARTMENT OF LABOR OCCUPATIONAL SAFETY & HEALTH ADMINISTRATION (OSHA) 29 CFR PART 1910 OCCUPATIONAL SAFETY AND HEALTH STANDARDS FOR ELECTRICAL SAFETY AND LOCKOUT/TAGOUT PROCEDURES INCLUDING, BUT NOT LIMITED TO, 29 CFR SECTION 1910.147 THE CONTROL OF HAZARDOUS ENERGY (LOCKOUT/TAGOUT).
4. CONTRACTOR SHALL COMPLY WITH THE APPLICABLE REQUIREMENTS OF NFPA 70E - STANDARD FOR ELECTRICAL SAFETY IN THE WORKPLACE.
5. THE LOCATION, SIZE, AND TYPE OF MATERIAL OF EXISTING UNDERGROUND AND/OR ABOVEGROUND UTILITIES INDICATED ON THE PLANS ARE NOT REPRESENTED AS BEING ACCURATE, SUFFICIENT, OR COMPLETE. NEITHER THE OWNER NOR THE ENGINEER ASSUMES ANY RESPONSIBILITY WHATSOEVER IN RESPECT TO THE ACCURACY, COMPLETENESS, OR SUFFICIENCY OF THE INFORMATION. THERE IS NO GUARANTEE, EITHER EXPRESSED OR IMPLIED, THAT THE LOCATIONS, SIZE, AND TYPE OF MATERIAL OF EXISTING UNDERGROUND UTILITIES INDICATED ARE REPRESENTATIVE OF THOSE TO BE ENCOUNTERED IN THE CONSTRUCTION. IT SHALL BE THE CONTRACTOR'S RESPONSIBILITY TO DETERMINE THE ACTUAL LOCATION OF ALL SUCH FACILITIES, INCLUDING SERVICE CONNECTIONS TO UNDERGROUND UTILITIES. PRIOR TO CONSTRUCTION, THE CONTRACTOR SHALL NOTIFY THE UTILITY COMPANIES OF HIS OPERATIONAL PLANS, AND SHALL OBTAIN FROM THE RESPECTIVE UTILITY COMPANIES DETAILED INFORMATION AND ASSISTANCE RELATIVE TO THE LOCATION OF THEIR FACILITIES AND THE WORKING SCHEDULE OF THE COMPANIES FOR REMOVAL OR ADJUSTMENT, WHERE REQUIRED. IN THE EVENT AN UNEXPECTED UTILITY INTERFERENCE IS ENCOUNTERED DURING CONSTRUCTION, THE CONTRACTOR SHALL IMMEDIATELY NOTIFY THE UTILITY COMPANY OF JURISDICTION. THE OWNER'S REPRESENTATIVE AND/OR THE RESIDENT ENGINEER/RESIDENT PROJECT REPRESENTATIVE SHALL ALSO BE IMMEDIATELY NOTIFIED. ANY DAMAGE TO SUCH MAINS AND SERVICES SHALL BE RESTORED TO SERVICE AT ONCE AND PAID FOR BY THE CONTRACTOR AT NO ADDITIONAL COST TO THE CONTRACT. ALL UTILITY CABLES AND LINES SHALL BE LOCATED BY THE RESPECTIVE UTILITY. CONTACT JULIE (JOINT UTILITY LOCATION INFORMATION FOR EXCAVATORS) FOR UTILITY INFORMATION, PHONE: 1-800-892-0123.
6. CONTRACTOR SHALL COORDINATE INSTALLATION OF ELECTRICAL WORK WITH THE ROADWAY WORK.

LAYOUT	KNL
DRAWN	STP
REVIEWED	RDN/KNL

FILE NAME = c:\pwise_work\do_not_delete\0273649\049\010105-sht-E-102.dgn

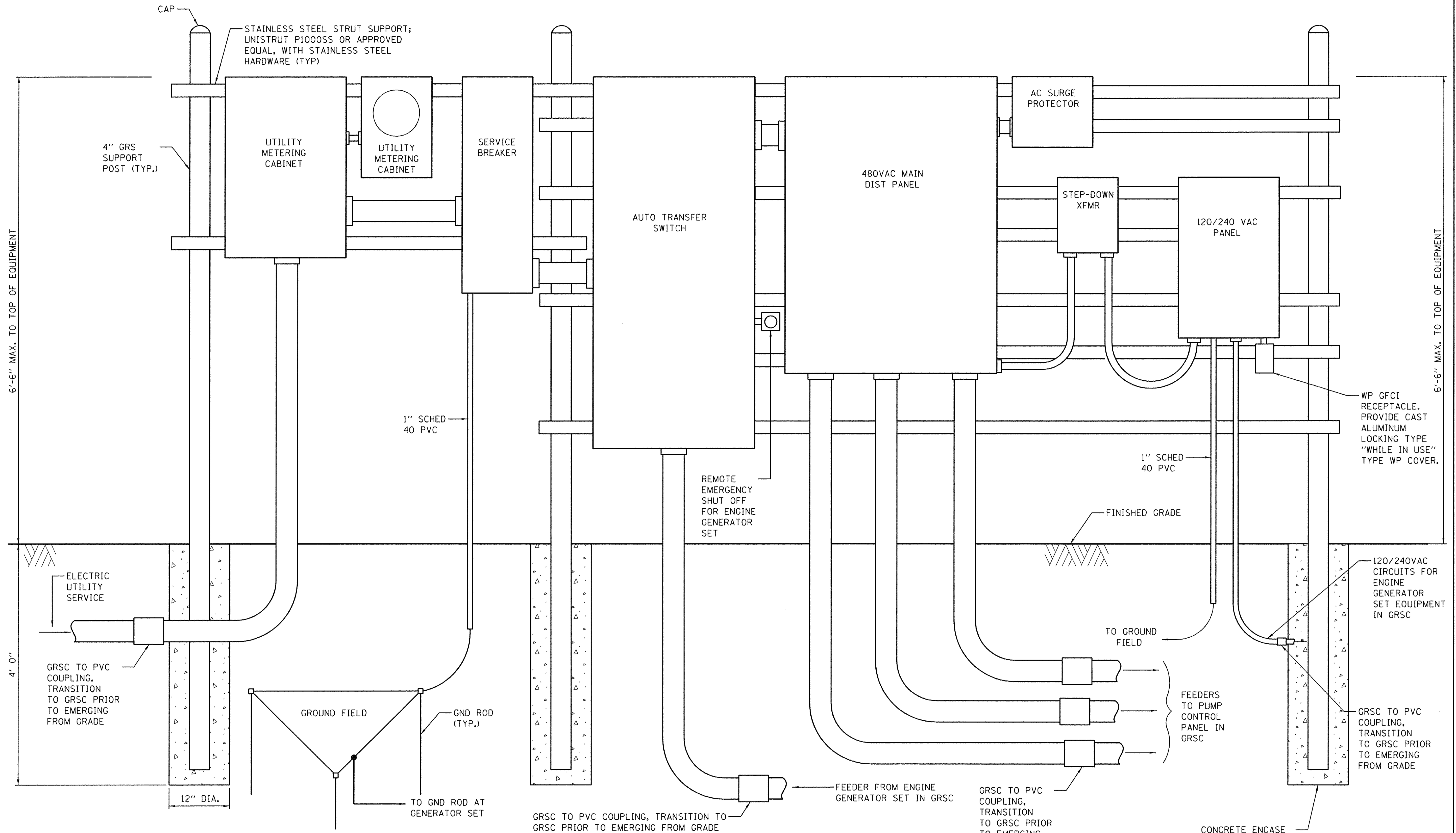
USER NAME = andr00846	DESIGNED - KNL	REVISED -
PLOT SCALE = 1.0000' / 1"	DRAWN - STP	REVISED -
PLOT DATE = 9/8/2015	CHECKED - RDN/KNL	REVISED -
	DATE - 9/9/2015	REVISED -

**STATE OF ILLINOIS
 DEPARTMENT OF TRANSPORTATION**

**EAST MAIN STREET
 PUMP STATION ELECTRICAL SITE PLAN NOTES**

SCALE: N/A SHEET NO. OF SHEETS STA. TO STA.

F.A.U. RTE.	SECTION	COUNTY	TOTAL SHEETS	SHEET NO.
6800	05-00500-19-GS	KNOX	221	57
50VB		CONTRACT NO.89417		
FED. ROAD DIST. NO. ILLINOIS FED. AID PROJECT				



ELECTRIC SERVICE & DISTRIBUTION EQUIPMENT ELEVATION

NOT TO SCALE

LAYOUT	KNL
DRAWN	SIP
REVIEWED	RDN/KNL

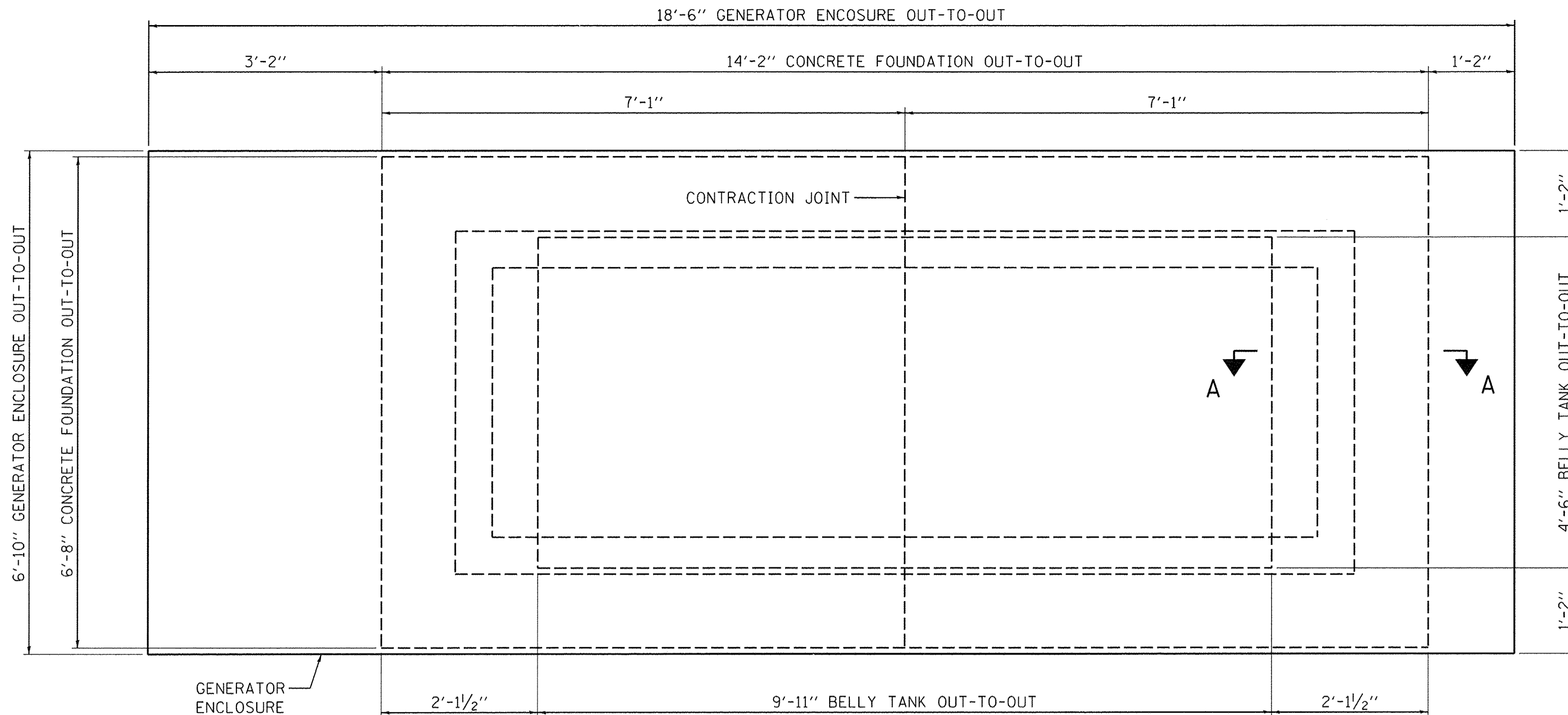
FILE NAME =	USER NAME = andr00846	DESIGNED - KNL	REVISED -
c:\pwise_work\do_not_delete\d0273649\049L0105-sht-E-201.dgn		DRAWN - SIP	REVISED -
	PLOT SCALE = 1,0000 ' / in.	CHECKED - RDN/KNL	REVISED -
	PLOT DATE = 9/8/2015	DATE - 9/9/2015	REVISED -

**STATE OF ILLINOIS
 DEPARTMENT OF TRANSPORTATION**

**EAST MAIN STREET
 ELECTRICAL EQUIPMENT ELEVATION**

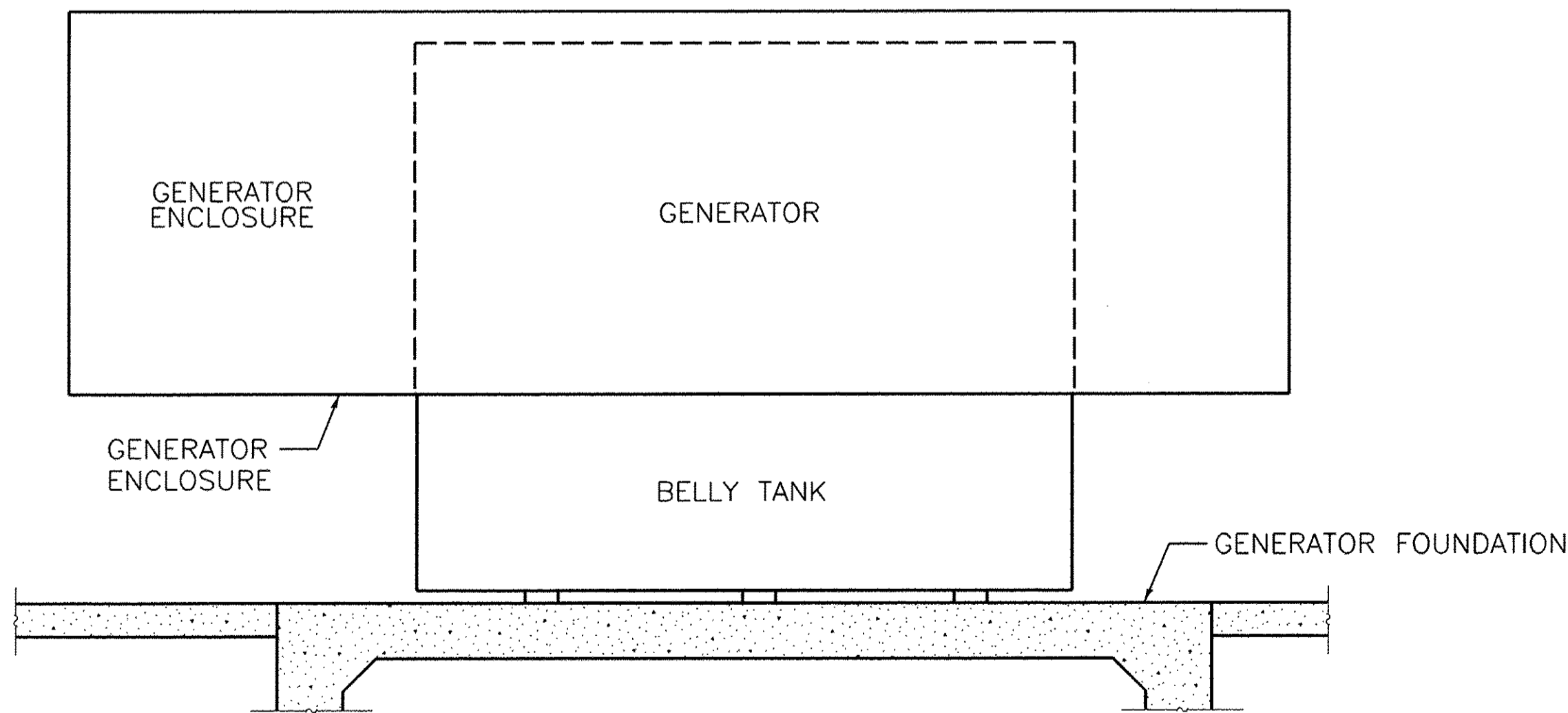
SCALE: N/A SHEET NO. OF SHEETS STA. TO STA.

F.A.U. RTE.	SECTION	COUNTY	TOTAL SHEETS	SHEET NO.
6800	05-00500-19-GS	KNOX	221	59
50VB		CONTRACT NO.89417		
FED. ROAD DIST. NO.		ILLINOIS FED. AID PROJECT		



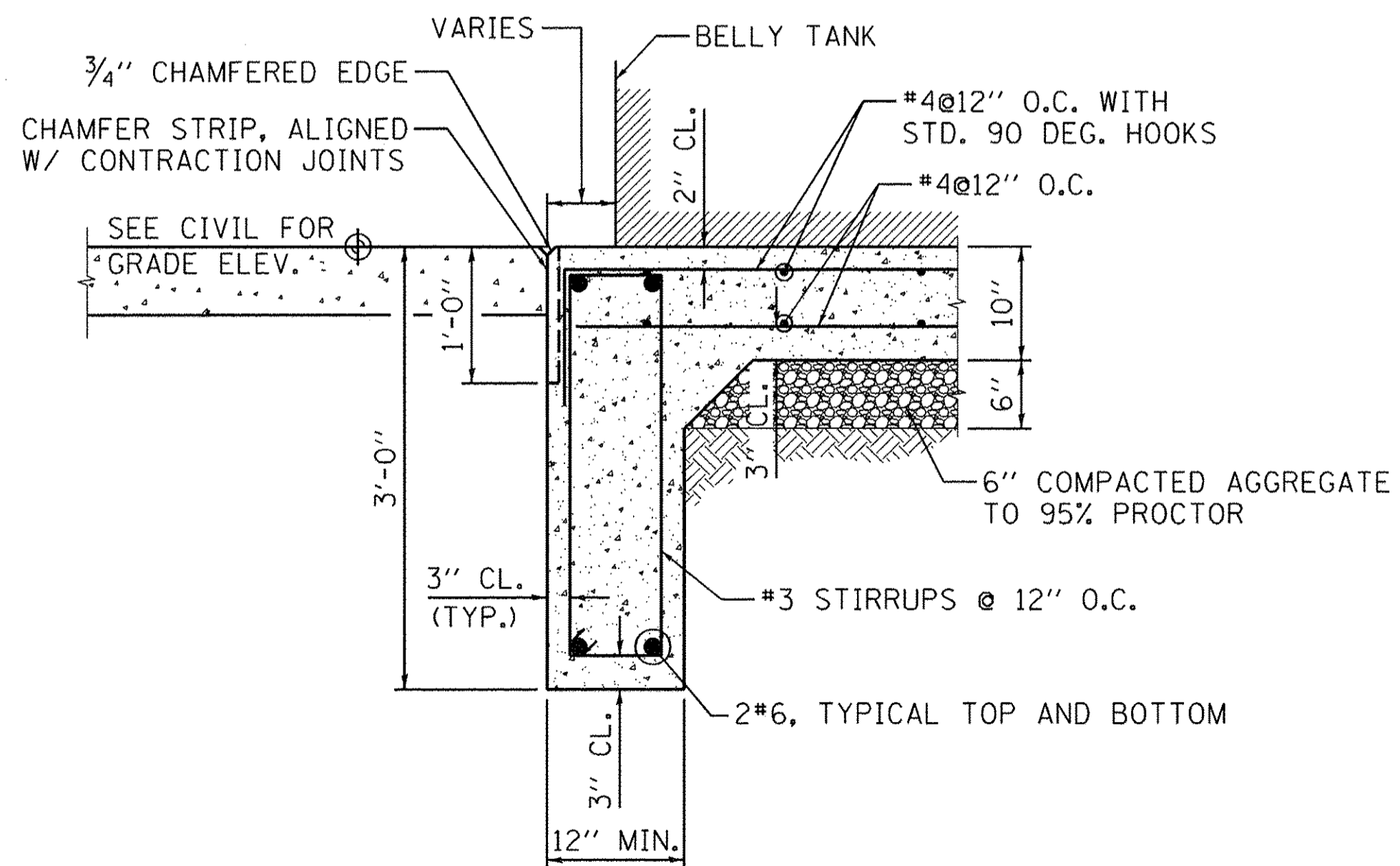
GENERATOR FOUNDATION & ENCLOSURE PLAN

SCALE: 1"=1'-0"



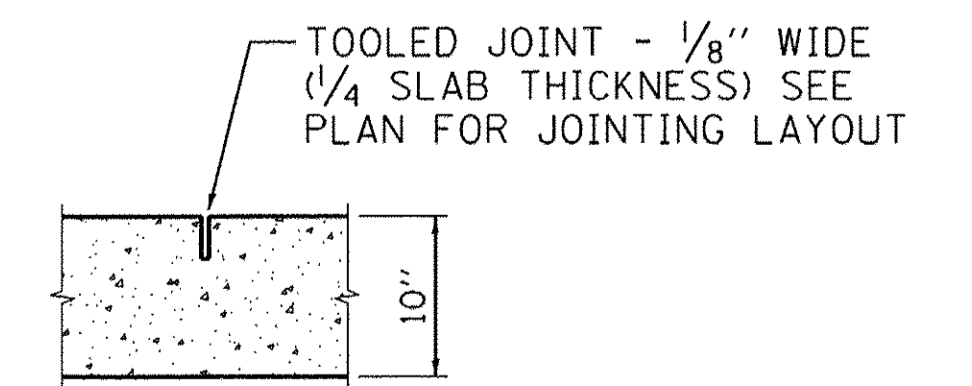
GENERATOR ELEVATION

SCALE: 1/2"=1'-0"



SECTION A-A - TYPICAL GENERATOR FOUNDATION SECTION

SCALE: 1"=1'-0"



CONTRACTION JOINT

SCALE: 1"=1'-0"

NOTES:

- PAD MOUNTING BOLTS BY CONTRACTOR ACCORDING TO MANUFACTURER'S RECOMMENDATIONS FOR ITS ENCLOSURE, HOUSING, AND/OR BASE MOUNTED FUEL TANK.
- MINIMUM CONCRETE COVERAGE OVER REBAR TO BE 3" UNLESS OTHERWISE NOTED.
- PAD DIMENSIONS ARE BASED ON ENGINE GENERATOR SET AND FUEL TANK FROM ONE OF THE RESPECTIVE ENGINE GENERATOR MFRS.; CUMMINS POWER GENERATION, ENGINE GENERATOR SETS MANUFACTURED BY CATERPILLAR, CUMMINS POWER GENERATION OR APPROVED EQUAL, MAY HAVE DIMENSIONS THAT VARY BETWEEN MFRS. AND/OR BETWEEN MODELS BY THE SAME MFR. ADJUST AND/OR INCREASE PAD TO ACCOMMODATE THE RESPECTIVE ENGINE GENERATOR SET FURNISHED.
- CONTRACTOR SHALL BE RESPONSIBLE FOR LOCATING AND INSTALLING ALL NECESSARY ELECTRICAL PENETRATIONS AND SLEEVES FOR CONDUITS THROUGH THE GENERATOR FOUNDATION.
- FINAL CONDUIT CONNECTIONS TO THE ENGINE GENERATOR SET SHALL BE WITH U.S. LISTED LIQUID-TIGHT FLEXIBLE METAL CONDUIT.

LAYOUT	KNL
DRAWN	EJM
REVIEWED	RDN/KNL

FILE NAME =	c:\pwise_work\do_not_delete\0273649\0499\0105-sht-E-504.dgn
USER NAME =	ander0046
DESIGNED -	KNL
DRAWN -	EJM
CHECKED -	RDN/KNL
DATE -	9/9/2015
REVISD -	
REVISD -	
REVISD -	
REVISD -	
PLOT SCALE =	1.0000 ' / in.
PLOT DATE =	9/8/2015

DESIGNED -	KNL
DRAWN -	EJM
CHECKED -	RDN/KNL
DATE -	9/9/2015
REVISD -	
REVISD -	
REVISD -	
REVISD -	
PLOT SCALE =	1.0000 ' / in.
PLOT DATE =	9/8/2015

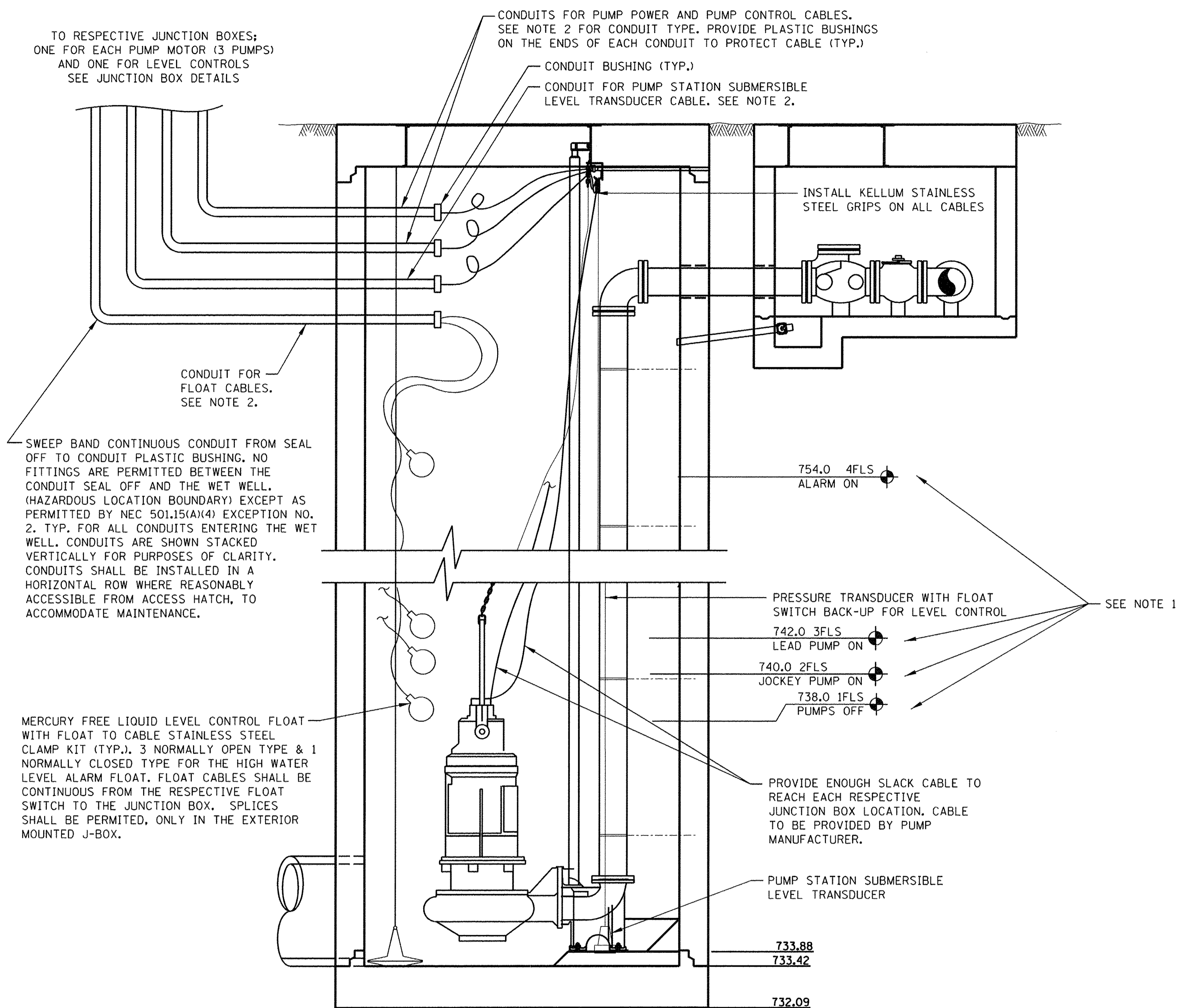
DESIGNED -	KNL
DRAWN -	EJM
CHECKED -	RDN/KNL
DATE -	9/9/2015
REVISD -	
REVISD -	
REVISD -	
REVISD -	
PLOT SCALE =	1.0000 ' / in.
PLOT DATE =	9/8/2015

DESIGNED -	KNL
DRAWN -	EJM
CHECKED -	RDN/KNL
DATE -	9/9/2015
REVISD -	
REVISD -	
REVISD -	
REVISD -	
PLOT SCALE =	1.0000 ' / in.
PLOT DATE =	9/8/2015

STATE OF ILLINOIS DEPARTMENT OF TRANSPORTATION	
---	--

EAST MAIN STREET ELECTRICAL GENERATOR DETAILS				
SCALE: N/A	SHEET NO.	OF SHEETS	STA.	TO STA.

F.A.U. RTE.	SECTION	COUNTY	TOTAL SHEETS	SHEET NO.
6800	05-00500-19-GS	KNOX	221	60
50VB			CONTRACT NO.89417	
FED. ROAD DIST. NO. ILLINOIS FED. AID PROJECT				



ELECTRICAL ELEVATION
 NOT TO SCALE

- NOTES:**
1. VERIFY LEVEL SWITCH ELEVATIONS AND CABLE HANGER LOCATIONS WITH ENGINEER AND PUMP MANUFACTURER REPRESENTATIVE. FLOAT SWITCHES AND LEVEL CONTROL TRANSDUCER TO BE LOCATED IN THE WET WELL FOR THE JOCKEY PUMP.

GENERAL NOTES:

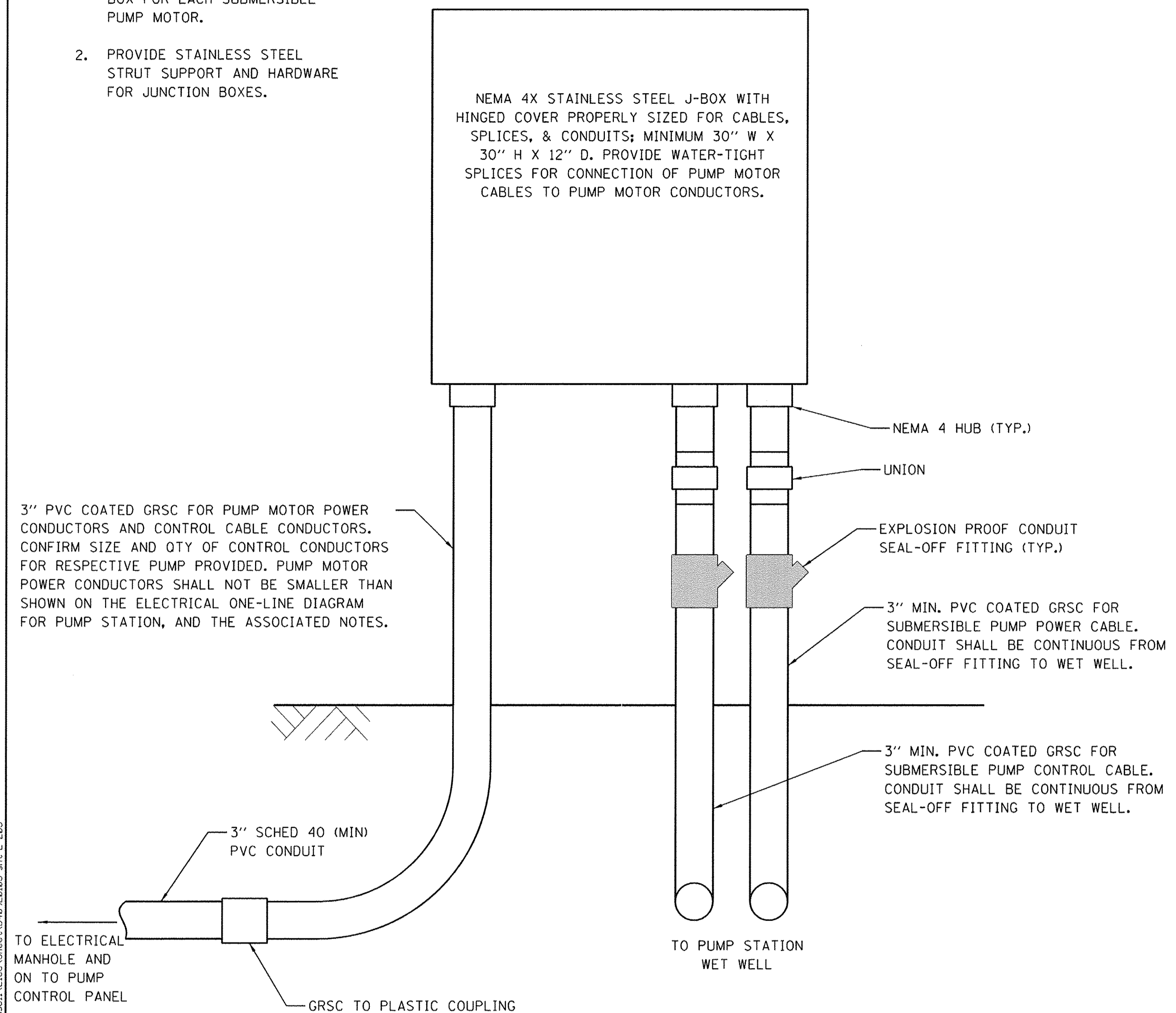
1. ALL ELECTRICAL EQUIPMENT INSTALLED IN THE WET WELL SHALL BE SUITABLE FOR USE IN CLASS I, DIV. 1, GROUP D HAZARDOUS LOCATION AND SHALL CONFORM TO THE APPLICABLE SECTIONS OF NEC ARTICLES 500, 501, & 504 AS WELL AS ALL LOCAL CODES, ORDINANCES AND REQUIREMENTS.
2. CONDUITS FROM JUNCTION BOXES (AT EXTERIOR) TO WET WELL SHALL BE PVC COATED RIGID STEEL OR PVC COATED RIGID ALUMINUM.
3. CONTRACTOR SHALL COORDINATE INSTALLATION OF ELECTRICAL EQUIPMENT, AND WORK WITH RESPECT TO PLUMBING, MECHANICAL, CONCRETE, EXCAVATION AND ALL OTHER WORK. COORDINATE THE INSTALLATION OF CONDUITS INTO THE WET WELL. USE NON-SHRINK GROUT AS REQUIRED TO SEAL CONDUIT PENETRATIONS.
4. ALL CONDUIT TERMINATIONS & OPENINGS IN ENCLOSURES SHALL BE SEALED WITH DUCT SEAL OR EQUAL.
5. LEVEL SENSING PRESSURE TRANSDUCER & BACK-UP FLOATS SHALL HAVE AN FM LISTED OR UL LISTED INTRINSICALLY SAFE BARRIER (SWITCHING AMPLIFIER) SUPPLIED FOR UNIT. INTRINSICALLY SAFE WIRING SHALL HAVE LIGHT BLUE COLORED INSULATION AND KEPT PHYSICALLY ISOLATED FROM OTHER CONDUCTORS. INTRINSICALLY SAFE WIRING AND EQUIPMENT SHALL BE INSTALLED PER ANSI/ISA RP12.6, UL 698A, AND NEC 504. CONDUITS WITH INTRINSICALLY SAFE WIRING SHALL TERMINATE IN THE CONTROL PANEL AT THE INTRINSICALLY SAFE WIRING SECTION.
6. METAL CONDUIT IN DIRECT CONTACT WITH EARTH OR CONCRETE SHALL BE PVC COATED FOR CORROSION PROTECTION.
7. ALL CONDUIT ENTRANCES INTO NEMA 4 ENCLOSURES SHALL HAVE WATER TIGHT THREADED HUBS, UL LISTED NEMA 4, 4X FOR RESPECTIVE ENCLOSURE.
8. ALL BUSHINGS, HUBS, & FITTINGS BETWEEN CONDUITS OF DISSIMILAR METALS AND/OR BETWEEN CONDUITS AND ENCLOSURES OF A DISSIMILAR METAL SHALL BE SUITABLE FOR SUCH APPLICATIONS TO ELIMINATE THE POSSIBILITY OF GALVANIC ACTION.
9. CONDUIT SHALL BE SIZED FOR 25% MAXIMUM FILL TO CONFORM TO EXPLOSION PROOF CONDUIT SEAL REQUIREMENTS. ADJUST (ENLARGE) AS REQUIRED.
10. EXPLOSION PROOF CONDUIT SEAL SHALL BE SUITABLE FOR CLASS I, DIVISION 1, GROUP D HAZARDOUS LOCATION, CROUSE HINDS EYS, APPLETON EYS, ESU, EY, KILLARK ENY, EY EYS OR O-Z GEDNEY EYA, EY, OR EZS SERIES, REQUIRED FOR ALL CONDUITS ENTERING OR LEAVING THE WET WELL OR VALVE VAULT INSTALLED IN CONFORMANCE WITH NEC 501 & MANUFACTURER'S DIRECTIONS. NOTE CONDUIT SEALS SHALL BE SIZED AS REQUIRED FOR THE RESPECTIVE CABLE FILL. CABLE FILL SHALL NOT EXCEED 25% FOR CONDUIT SEAL APPLICATION. CONDUIT SEALS SHALL BE THE FIRST FITTING AFTER THE CONDUIT LEAVES THE WET WELL AND EMERGES FROM GRADE & THE FIRST FITTING AFTER CONDUIT ENTERS THE VALVE VAULT.
11. PROVIDE HEAVY DUTY STAINLESS STEEL CABLE RACK ADEQUATELY SIZED FOR THE RESPECTIVE PUMP & LEVEL CABLES OR HEAVY DUTY NYLON SADDLE RACKS (CABLE HANGER WITH 3" THROAT OPENING), UNDERGROUND DEVICES CAT. NO. 3SR1. MOUNT AT IMMEDIATELY INSIDE ACCESS HATCH WITH STAINLESS STEEL STRUT SUPPORT & STAINLESS STEEL HARDWARE. PROVIDE SUFFICIENT RACKS FOR EACH PUMP CABLE & LEVEL CABLES. EACH PUMP MOTOR SHALL HAVE 10' MINIMUM SLACK CABLE TO ALLOW FOR FUTURE REMOVAL AND REINSTALLATION. LOOP SLACK CABLES AROUND SADDLE RACK AND SECURE WITH CABLE TIES.
12. SUBMERSIBLE PUMP CABLE SHALL BE SUPPLIED BY PUMP MANUFACTURER. VERIFY EACH PUMP MOTOR HAS A MINIMUM OF 10 FEET OF SLACK CABLE.
13. CONDUIT HOLES SHALL BE CORED THROUGH THE STRUCTURE WALLS OR PREFORMED DURING CASTING.

LAYOUT DRAWN REVIEWED	KNL EJM RDN/KNL	FILE NAME =	USER NAME = andr00846	DESIGNED - KNL	REVISED -	STATE OF ILLINOIS DEPARTMENT OF TRANSPORTATION	EAST MAIN STREET PUMP STATION ELEVATION			F.A.U. RTL	SECTION	COUNTY	TOTAL SHEETS	SHEET NO.
		at:\pwise_work\do_not_delete\0273649\049\0105-sht-E-202.dgn	PLOT SCALE = 1.0000' / 1" / in.	CHECKED - RDN/KNL	REVISED -		6800	05-00500-19-GS	KNOX	221	61			
		PLOT DATE = 9/8/2015	DATE = 9/9/2015	REVISED -	REVISED -	SCALE: N/A	SHEET NO.	OF SHEETS	STA.	TO STA.	50VB CONTRACT NO.89417			
										FED. ROAD DIST. NO.		ILLINOIS FED. AID PROJECT		

FILE NAME = c:\pwise_work\do_not_delete\d0273649\0491\0105-sht-E-203.dgn
 USER NAME = nder-00846
 DESIGNED - KNL
 DRAWN - SIP
 CHECKED - RDN/KNL
 DATE - 9/9/2015
 REVISIONS:
 REVISED -
 REVISED -
 REVISED -
 REVISED -

NOTES:

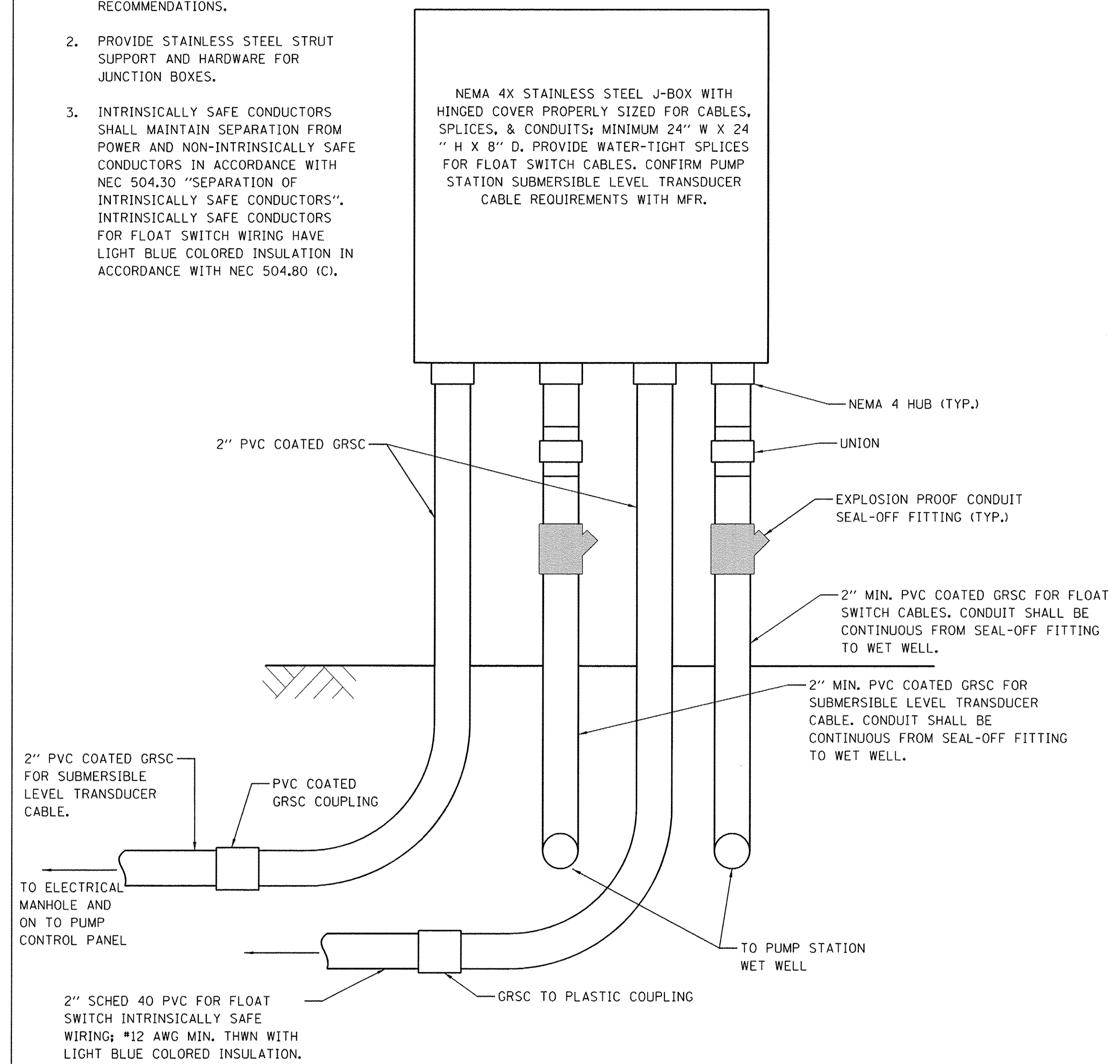
1. PROVIDE A SEPARATE SPLICE BOX FOR EACH SUBMERSIBLE PUMP MOTOR.
2. PROVIDE STAINLESS STEEL STRUT SUPPORT AND HARDWARE FOR JUNCTION BOXES.



SUBMERSIBLE PUMP MOTOR CABLE SPLICE BOX

NOTES:

1. SUBMERSIBLE LEVEL TRANSDUCER CABLE TO BE INSTALLED IN GRSC FOR SHIELDING PROTECTION PER MFR RECOMMENDATIONS.
2. PROVIDE STAINLESS STEEL STRUT SUPPORT AND HARDWARE FOR JUNCTION BOXES.
3. INTRINSICALLY SAFE CONDUCTORS SHALL MAINTAIN SEPARATION FROM POWER AND NON-INTRINSICALLY SAFE CONDUCTORS IN ACCORDANCE WITH NEC 504.30 "SEPARATION OF INTRINSICALLY SAFE CONDUCTORS". INTRINSICALLY SAFE CONDUCTORS FOR FLOAT SWITCH WIRING HAVE LIGHT BLUE COLORED INSULATION IN ACCORDANCE WITH NEC 504.80 (C).



FLOAT SWITCH & LEVEL CONTROLLER CABLE SPLICE BOX

LAYOUT	KNL
DRAWN	SIP
REVIEWED	RDN/KNL

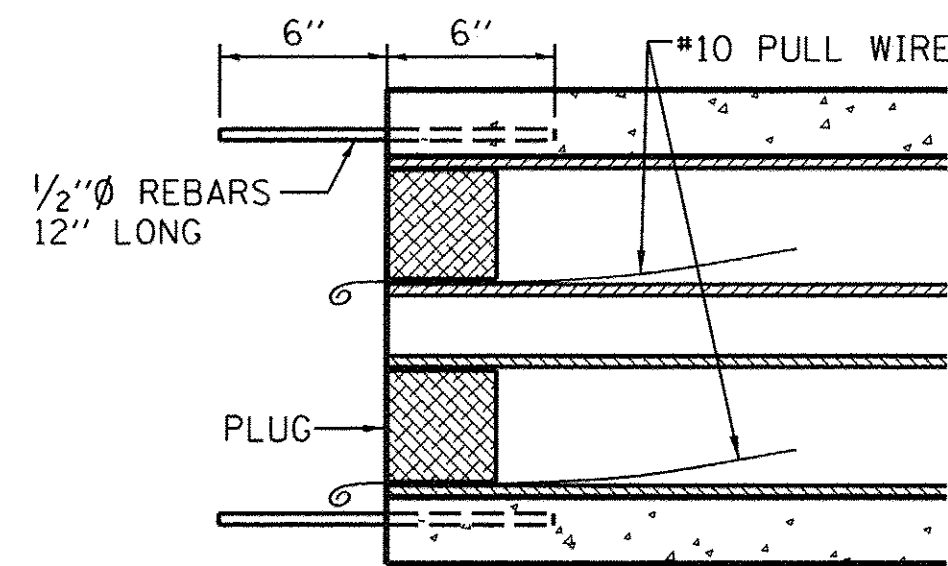
FILE NAME =	USER NAME = nder-00846	DESIGNED - KNL	REVISED -
c:\pwise_work\do_not_delete\d0273649\0491\0105-sht-E-203.dgn		DRAWN - SIP	REVISED -
	PLOT SCALE = 1.0000 "/> <td>CHECKED - RDN/KNL</td> <td>REVISED -</td>	CHECKED - RDN/KNL	REVISED -
	PLOT DATE = 9/9/2015	DATE - 9/9/2015	REVISED -

**STATE OF ILLINOIS
 DEPARTMENT OF TRANSPORTATION**

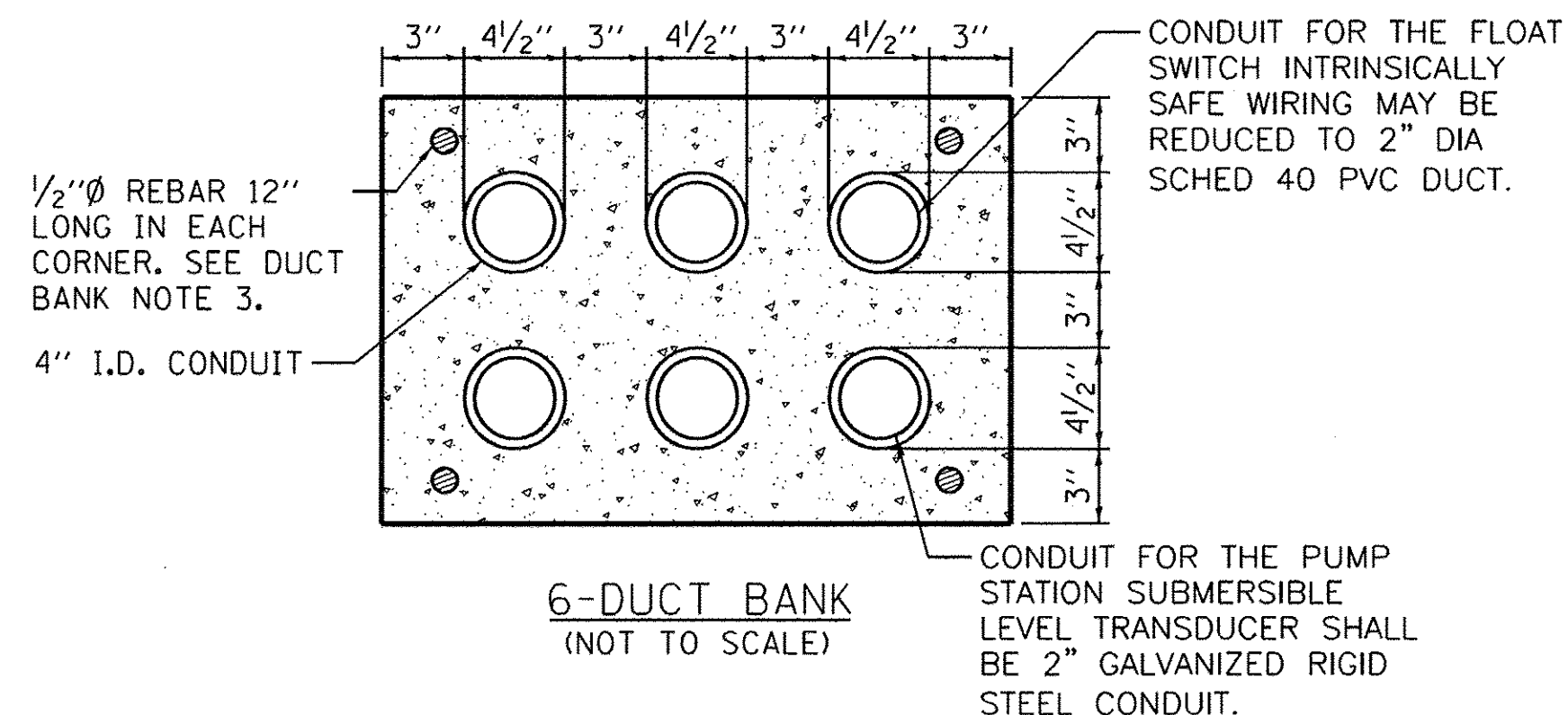
**EAST MAIN STREET
 JUNCTION BOX DETAILS FOR PUMP STATION**

F.A.U. RTE.	SECTION	COUNTY	TOTAL SHEETS	SHEET NO.
6800	05-00500-19-GS	KNOX	221	62
50VB		CONTRACT NO.89417		
FED. ROAD DIST. NO. [ILLINOIS] FED. AID PROJECT				

SCALE: N/A SHEET NO. OF SHEETS STA. TO STA.

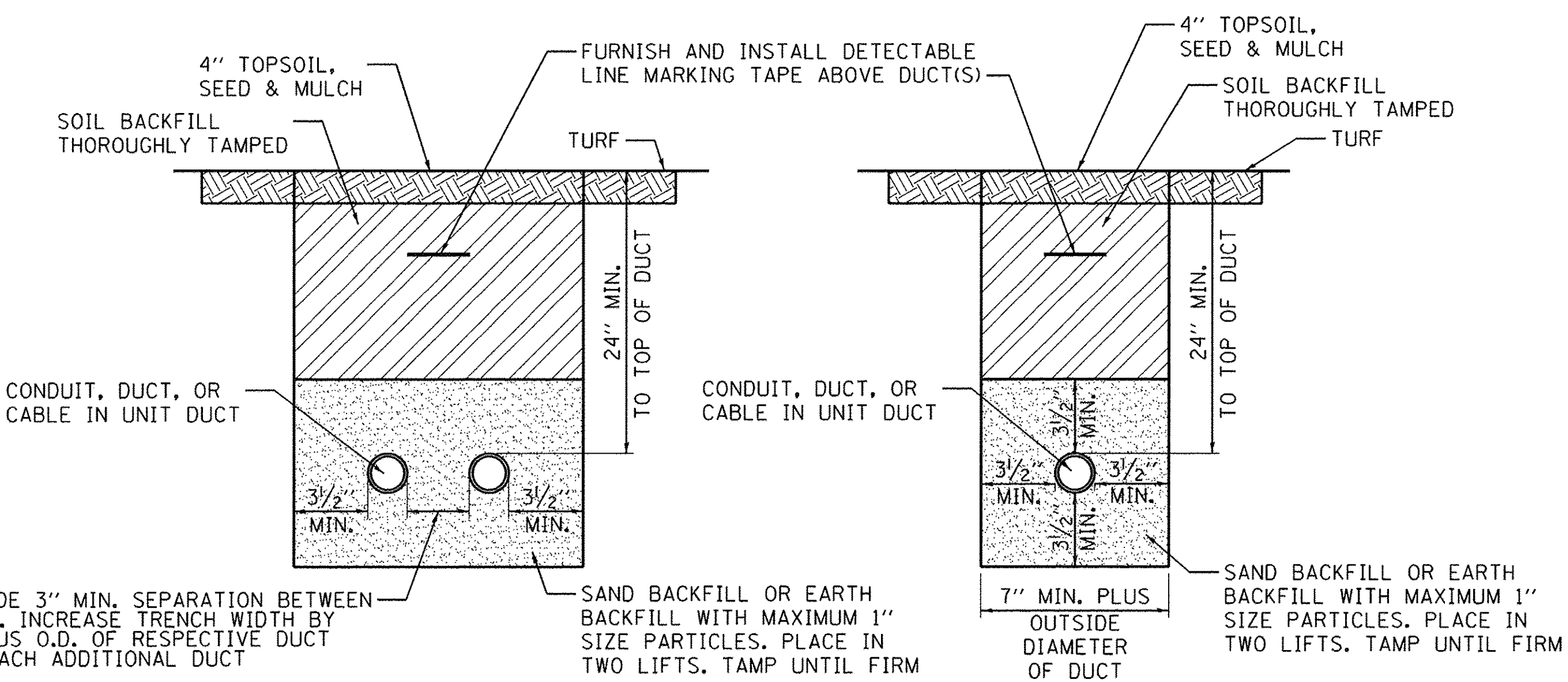


TYPICAL SECTION
(NOT TO SCALE)



6-DUCT BANK
(NOT TO SCALE)

DUCT BANK DETAIL



CONDUIT IN TRENCH - NON-PAVEMENT AREAS
(NOT TO SCALE)

DUCT BANK NOTES:

- ALL DIMENSIONS ARE MINIMUM.
- INCLUDE DUCT SPACERS AS MANUFACTURED BY UNDERGROUND DEVICES INC., TO MAINTAIN PROPER SEPARATION OF CONDUITS.
- PROVIDE REBAR WHERE APPLICABLE TO ACCOMMODATE INTERFACE TO HANDHOLES AND MANHOLES AT DUCT BANK TERMINATIONS. COORDINATE WITH MANHOLE INSTALLATIONS. REBAR SHALL CONFORM TO THE REQUIREMENTS OF ASTM A706 GRADE 60 OR ASTM A615 GRADE 60.
- CONDUITS FOR CONCRETE ENCASEMENT SHALL BE SCHEDULE 40 (MINIMUM) PVC, UL-LISTED, RATED FOR 90°C CABLE, CONFORMING TO NEMA STANDARD TC-2 AND UL 651, LISTED SUITABLE FOR CONCRETE ENCASEMENT. SEE NOTE 5 FOR CONDUIT REQUIREMENTS FOR PUMP STATION SUBMERSIBLE LEVEL TRANSDUCER CABLES.
- CONDUITS AND DUCTS FOR THE PUMP STATION SUBMERSIBLE LEVEL TRANSDUCER CABLES SHALL BE GALVANIZED RIGID STEEL CONDUIT. RIGID STEEL CONDUIT AND FITTINGS SHALL BE HOT-DIPPED, GALVANIZED, UL-LISTED, AND PRODUCED IN ACCORDANCE WITH UL STANDARD 6; RIGID METAL CONDUIT AND ANSI C80.1; RIGID STEEL CONDUIT, ZINC COATED. COUPLINGS, CONNECTORS, AND FITTINGS FOR RIGID STEEL CONDUIT SHALL BE THREADED, GALVANIZED STEEL OR GALVANIZED, MALLEABLE IRON, SPECIFICALLY DESIGNED AND MANUFACTURED FOR THE PURPOSE. FITTINGS SHALL CONFORM TO ANSI C80.4; FITTINGS RIGID METAL CONDUIT AND EMT AND UL 514B; CONDUIT, TUBING, AND CABLE FITTINGS. SET SCREW TYPE FITTINGS ARE NOT ACCEPTABLE. STEEL USED TO MANUFACTURE CONDUITS SHALL BE 100 PERCENT DOMESTIC STEEL. CONTRACTOR SHALL PROVIDE CERTIFICATION THAT THE RESPECTIVE STEEL CONDUITS USED ON THIS PROJECT ARE MANUFACTURED FROM 100 PERCENT DOMESTIC STEEL.
- MINIMUM DEPTH OF TOP OF DUCT ENCASEMENT SHALL BE 24" BELOW FINISHED GRADE. DEPTH OF TOP OF DUCT ENCASEMENT SHALL BE 42" MINIMUM TO FINISHED GRADE IN AREAS UNDER ROADWAYS. ADJUST DEPTHS TO ACCOMMODATE SITE CONDITIONS AND/OR TO AVOID INTERFERENCES WITH OTHER UTILITIES AND LINES.
- BELOW GRADE PVC CONDUITS SHALL TRANSITION TO GALVANIZED RIGID STEEL CONDUIT WHERE EMERGING FROM GRADE TO COMPLY WITH CITY OF GALESBURG, IL ELECTRICAL CODE AND ORDINANCES. CONDUITS EMERGING FROM GRADE AT THE PUMP STATION SHALL BE PVC COATED RIGID STEEL CONDUIT.
- THE WIRING ASSOCIATED WITH EACH SUBMERSIBLE PUMP MOTOR SHALL BE RUN IN A DEDICATED DUCT.
- THE WIRING ASSOCIATED WITH THE PUMP STATION SUBMERSIBLE LEVEL TRANSDUCER CABLES SHALL BE RUN IN A DEDICATED GALVANIZED RIGID STEEL DUCT.
- THE INTRINSICALLY SAFE WIRING ASSOCIATED WITH THE PUMP STATION FLOAT SWITCHES SHALL BE RUN IN A SEPARATE DEDICATED DUCT. INTRINSICALLY SAFE CONDUCTORS SHALL MAINTAIN SEPARATION FROM POWER AND NON-INTRINSICALLY SAFE CONDUCTORS IN ACCORDANCE WITH NEC 504.30 "SEPARATION OF INTRINSICALLY SAFE CONDUCTORS". COORDINATE DUCT INTERFACE TO MANHOLES AND SECURING CABLES FOR PROPER SEPARATION.
- WHERE CONCRETE ENCASED DUCT INTERFACES TO AN ELECTRICAL HANDHOLE OR MANHOLE, THE CONCRETE ENCASEMENT SHALL BE INSTALLED UP TO THE RESPECTIVE HANDHOLE OR MANHOLE. PROVIDE BUSHINGS OR BELLS AT CONDUIT TERMINATIONS IN ELECTRICAL HANDHOLES AND MANHOLES.
- A PULL WIRE SHALL BE INSTALLED IN EACH CONDUIT OR DUCT TO BE LEFT VACANT.
- COORDINATE CONDUIT AND DUCT INTERFACE WITH THE HANDHOLE AND/OR MANHOLE INSTALLATION. FIELD CUT OPENINGS FOR CONDUITS AND DUCTS ACCORDING TO THE RESPECTIVE HANDHOLE AND/OR MANHOLE MANUFACTURER'S RECOMMENDATIONS. CORE DRILL AND/OR CUT WALL OF HANDHOLE AND/OR MANHOLE WITH A TOOL DESIGNED FOR THE MATERIAL TO BE CUT AND SUITABLE FOR THE RESPECTIVE APPLICATION. SIZE HOLES FOR TERMINATION FITTINGS TO BE USED AND SEAL AROUND PENETRATIONS AFTER FITTINGS ARE INSTALLED.
- INSTALL DUCT BANKS WITH SLOPE TO DRAIN WHERE TERMINATION IN MANHOLES OR HANDHOLES.
- THE LOCATION, SIZE, AND TYPE OF MATERIAL OF EXISTING UNDERGROUND AND/OR ABOVEGROUND UTILITIES INDICATED ON THE PLANS ARE NOT REPRESENTED AS BEING ACCURATE, SUFFICIENT, OR COMPLETE. NEITHER THE OWNER NOR THE ENGINEER ASSUMES ANY RESPONSIBILITY WHATSOEVER IN RESPECT TO THE ACCURACY, COMPLETENESS, OR SUFFICIENCY OF THE INFORMATION. THERE IS NO GUARANTEE, EITHER EXPRESSED OR IMPLIED, THAT THE LOCATIONS, SIZE, AND TYPE OF MATERIAL OF EXISTING UNDERGROUND UTILITIES INDICATED ARE REPRESENTATIVE OF THOSE TO BE ENCOUNTERED IN THE CONSTRUCTION. IT SHALL BE THE CONTRACTOR'S RESPONSIBILITY TO DETERMINE THE ACTUAL LOCATION OF ALL SUCH FACILITIES, INCLUDING SERVICE CONNECTIONS TO UNDERGROUND UTILITIES. PRIOR TO CONSTRUCTION, THE CONTRACTOR SHALL NOTIFY THE UTILITY COMPANIES OF HIS OPERATIONAL PLANS, AND SHALL OBTAIN FROM THE RESPECTIVE UTILITY COMPANIES DETAILED INFORMATION AND ASSISTANCE RELATIVE TO THE LOCATION OF THEIR FACILITIES AND THE WORKING SCHEDULE OF THE COMPANIES FOR REMOVAL OR ADJUSTMENT, WHERE REQUIRED. IN THE EVENT AN UNEXPECTED UTILITY INTERFERENCE IS ENCOUNTERED DURING CONSTRUCTION, THE CONTRACTOR SHALL IMMEDIATELY NOTIFY THE UTILITY COMPANY OF JURISDICTION. THE OWNER'S REPRESENTATIVE AND/OR THE RESIDENT ENGINEER/RESIDENT PROJECT REPRESENTATIVE SHALL ALSO BE IMMEDIATELY NOTIFIED. ANY DAMAGE TO SUCH MAINS AND SERVICES SHALL BE RESTORED TO SERVICE AT ONCE AND PAID FOR BY THE CONTRACTOR AT NO ADDITIONAL COST TO THE CONTRACT. ALL UTILITY CABLES AND LINES SHALL BE LOCATED BY THE RESPECTIVE UTILITY. CONTACT JULIE (JOINT UTILITY LOCATION INFORMATION FOR EXCAVATORS) FOR UTILITY INFORMATION, PHONE: 1-800-892-0123.

NOTES:

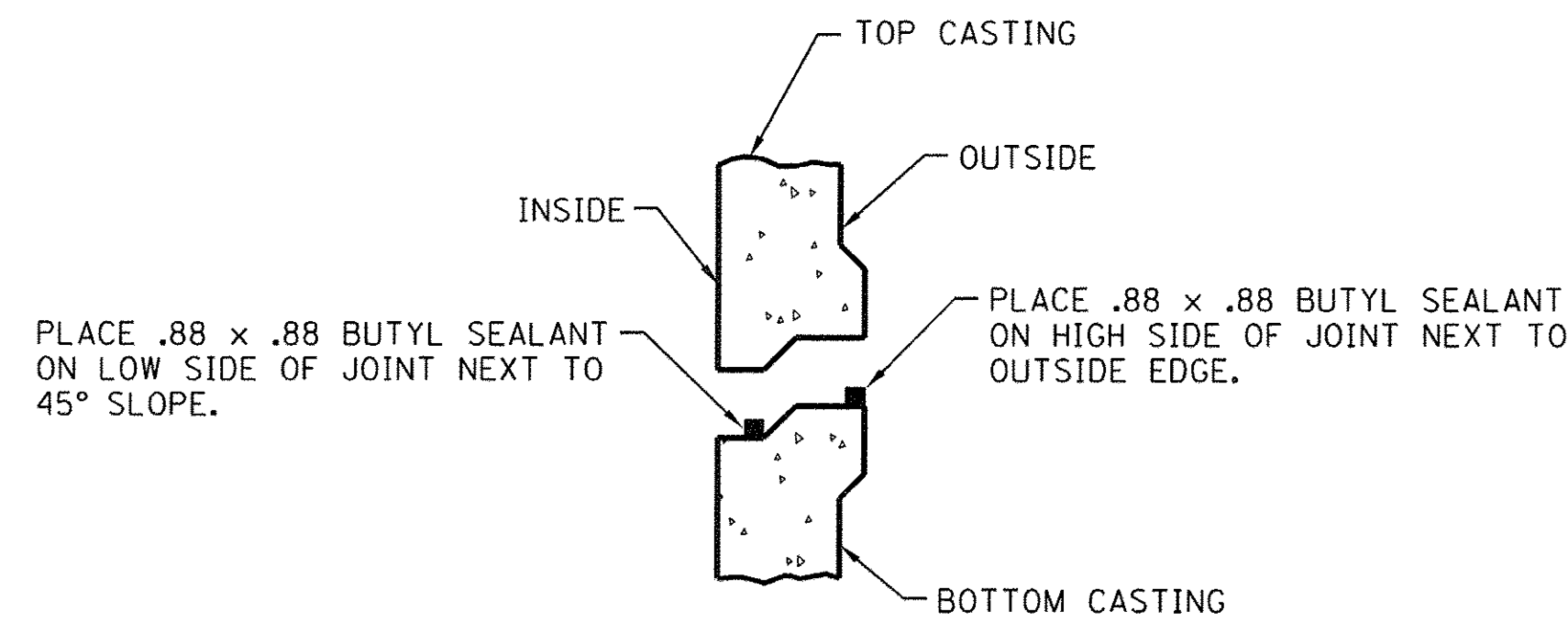
- DIMENSIONS FOR COVERAGE AND SEPARATION BETWEEN DUCTS ARE MINIMUM.
- TRENCHES WITH MORE THAN TWO DUCTS OR CABLE IN UNIT DUCTS SHALL BE INCREASED 3" IN WIDTH PLUS DIAMETER OF RESPECTIVE DUCT FOR EACH ADDITIONAL CONDUIT, DUCT, OR CABLE IN UNIT DUCT; IF SPECIFIED ON PLANS TWO PARALLEL TRENCHES MAY BE CONSTRUCTED.
- DEPTH OF TRENCHES SHALL BE AS SHOWN ABOVE UNLESS OTHERWISE SPECIFIED ON THE PLANS. MINIMUM COVER REQUIREMENTS FOR CABLES AND DUCTS SHALL BE 24 INCHES. COVER IS DEFINED AS THE SHORTEST DISTANCE IN INCHES MEASURED BETWEEN A POINT ON THE TOP SURFACE OF ANY DIRECT-BURIED CONDUCTOR, CABLE, CONDUIT, OR OTHER RACEWAY AND THE TOP SURFACE OF FINISHED GRADE, CONCRETE OR SIMILAR COVER.
- ALL DISTURBED SURFACES SHALL BE RESTORED TO THEIR ORIGINAL CONDITION. COST IS INCIDENTAL TO TRENCH.

LAYOUT	KNL
DRAWN	SIP
REVIEWED	RDN/KNL

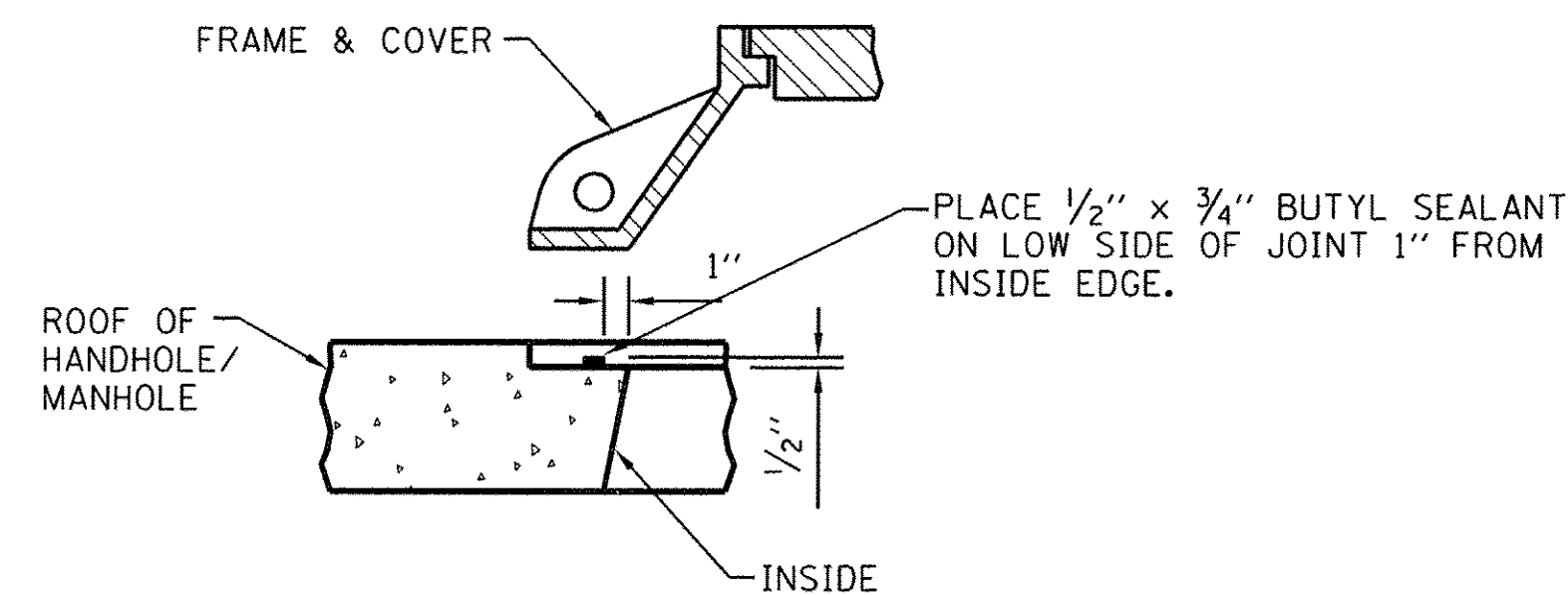
FILE NAME =	USER NAME =	DESIGNED -	REVISED -
c:\pwise_work\do_not_delete\0273649\0491\0105-sh-t-E-501.dgn	ender00846	KNL	
PLOT SCALE = 1.0000' / 1in.	CHECKED -	REVISED -	
PLOT DATE = 9/8/2015	RDN/KNL		
	DATE -	REVISED -	
	9/9/2015		

F.A.U. RTE.	SECTION	COUNTY	TOTAL SHEETS	SHEET NO.
6800	05-00500-19-GS	KNOX	221	63
50VB		CONTRACT NO.89417		
FED. ROAD DIST. NO. ILLINOIS FED. AID PROJECT				

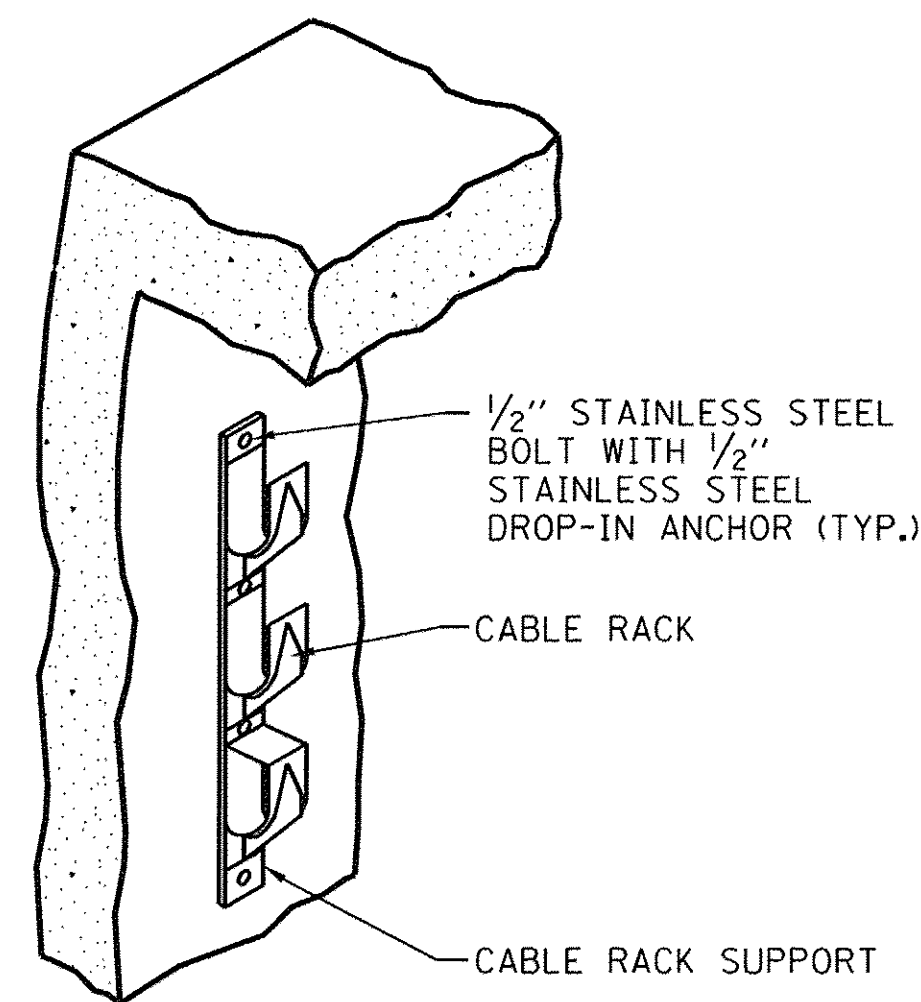
c:\pw\se_work\do_not_delete\0273649\049\9L0105-sh-t-E-502.dgn
 p:\p\se\svr\306\hanson\dom\hanson_projects\Documents\091\05\CAD-Phase1\Elec\Sheet\0105-sh-t-E-502



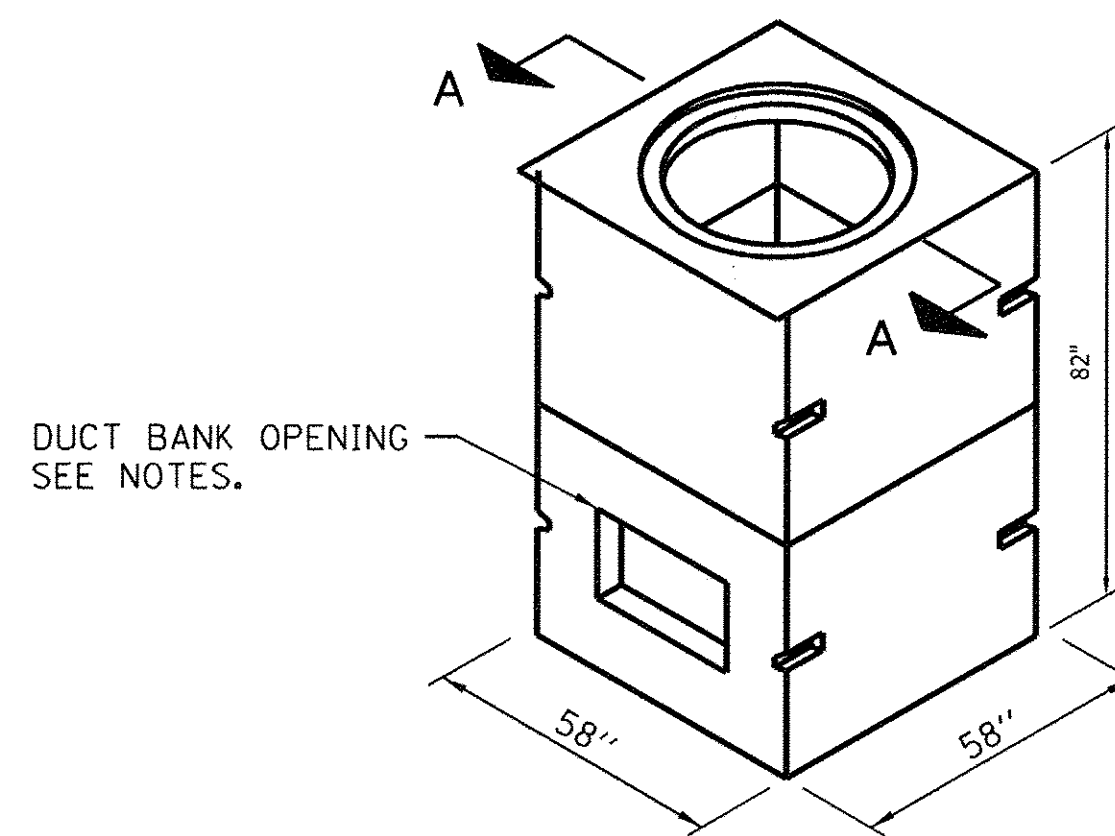
DETAIL B
(NOT TO SCALE)



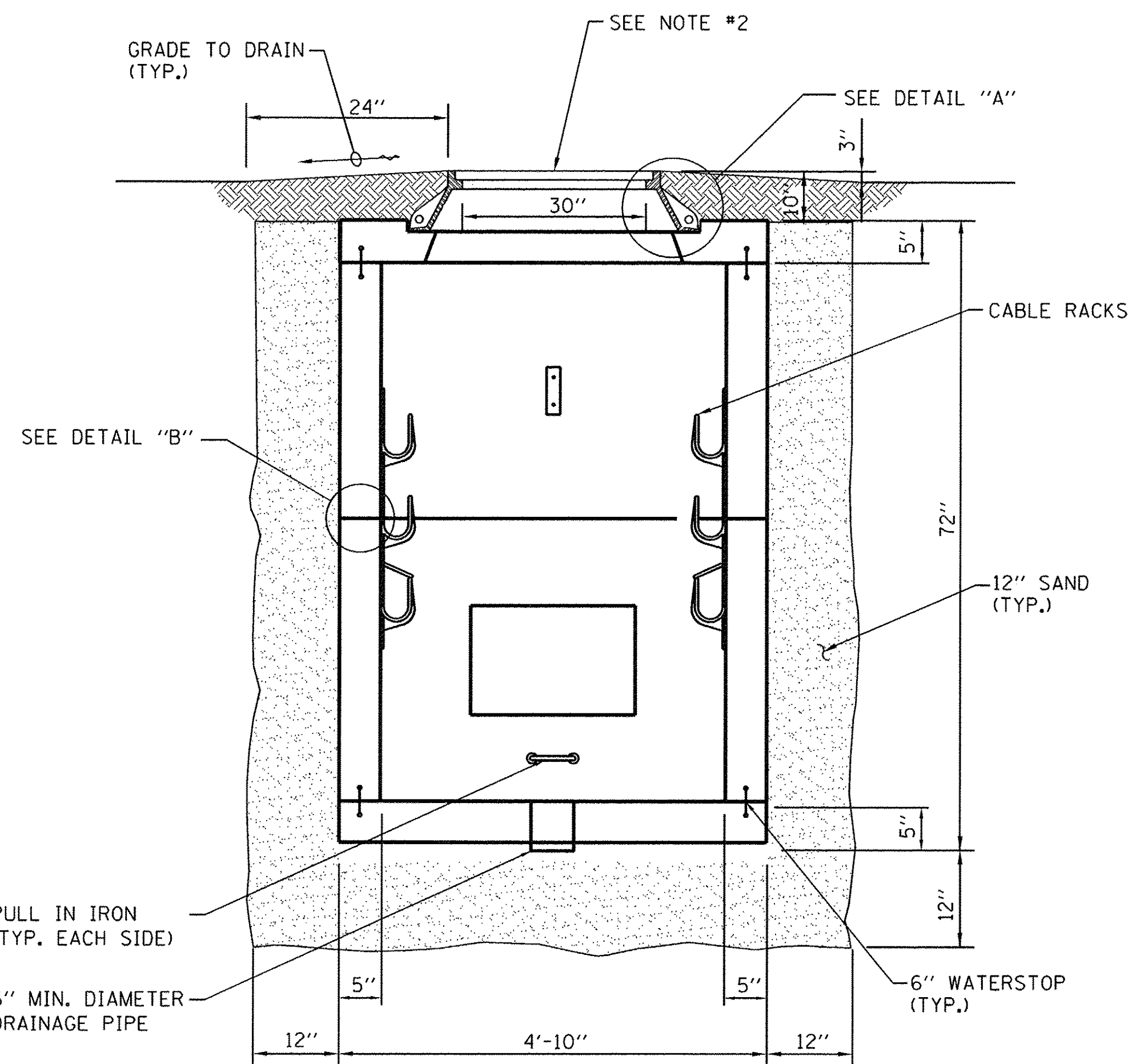
DETAIL A
(NOT TO SCALE)



CABLE RACK
(NOT TO SCALE)



PRECAST 4'x4'x6' MANHOLE
(NOT TO SCALE)



SECTION A

PRECAST 4' x 4' x 6' MANHOLE DETAILS
(NOT TO SCALE)

PRECAST 4'x4'x6' ELECTRICAL MANHOLE NOTES

1. 4'x4'x6' ELECTRICAL MANHOLE SHALL BE CONSTRUCTED TO MEET THE FOLLOWING:

- DESIGN CRITERIA:
- 1) DESIGN SPECIFICATION: ACI 318, AASHTO LOAD FACTOR DESIGN METHOD, AND ASTM C858
 - 2) DESIGN LOADING: AASHTO HS20 (32,000 LB/AXLE)
 - 3) LIVE LOAD SURCHARGE: .5% OF THE WHEEL LOADING APPLIED TO 8'-0" OF DEPTH.
 - 4) CONCRETE COMPRESSIVE STRENGTH: $F'_c = 4500$ PSI
 - 5) REINFORCING STEEL: ASTM A706, $F_y = 60000$ PSI

- DESIGN ASSUMPTIONS:
- 1) GROUND WATER LEVEL: 3'-6" BELOW GRADE.
 - 2) EARTH COVER: 2'-0" MINIMUM TO 5'-0" MAXIMUM
 - 3) LIVE LOAD IMPACT: 2'-0" $I = 20\%$
 2'-1" TO 2'-11" $I = 10\%$
 3'-0" TO 5'-0" $I = 0\%$
 - 4) COEFFICIENT OF ACTIVE EARTH PRESSURE: $K_a = 0.3$
 - 5) SPECIFIC WEIGHT OF STD. AGGREGATE CONCRETE: 150 PCF
 - 6) SPECIFIC WEIGHT OF DRY EARTH: 100 PCF
 - 7) SPECIFIC WEIGHT OF SATURATED EARTH: 120 PCF
 - 8) EQUIVALENT FLUID PRESSURE OF DRY EARTH: 30 PSF
 - 9) EQUIVALENT FLUID PRESSURE OF SATURATED EARTH: 80 PSF

THE SUPPLIER SHALL PROVIDE CERTIFICATION THAT THE PRECAST MANHOLES MEET OR EXCEED THESE REQUIREMENTS PRIOR TO INSTALLATION.

2. MANHOLE FRAME & LID SHALL BE CAPABLE OF WITHSTANDING MINIMUM 50,000 POUND LOADS. MANHOLE FRAME & LID SHALL BE NEENAH CATALOG NO. R-1640-C OR APPROVED EQUAL. LID FOR MANHOLE CONTAINING LOW VOLTAGE CIRCUITS (600 VOLTS AND BELOW) SHALL BE LABELED "ELECTRIC".
3. COORDINATE DUCT BANK INTERFACE & OPENINGS WITH THE MANHOLE MFR. CONTRACTOR SHALL SLOPE DUCT BANK TO PRECAST MANHOLE OPENINGS. ALL OPENINGS SHALL BE SEALED WATERTIGHT AFTER DUCT BANK INSTALLATION.
4. 4'x4'x6' MANHOLE SHALL BE MANUFACTURED BY A CONCRETE ELECTRICAL MANHOLE PRODUCER ON THE ILLINOIS DEPARTMENT OF TRANSPORTATION APPROVED LIST OF CERTIFIED PRECAST CONCRETE PRODUCERS.
5. INTRINSICALLY SAFE CONDUCTORS SHALL MAINTAIN SEPARATION FROM POWER WIRING AND NON-INTRINSICALLY SAFE CONDUCTORS IN ACCORDANCE WITH NEC 504.30 "SEPARATION OF INTRINSICALLY SAFE CONDUCTORS". COORDINATE DUCT INTERFACE TO MANHOLES AND SECURING CABLES FOR PROPOER SEPARATION.
6. CABLE RACKS SHALL BE HEAVY DUTY CORROSION RESISTANT NYLON MATERIAL WITH CORROSION RESISTANT STAINLESS STEEL MOUNTING HARDWARE; UNDERGROUND DEVICES, INC. CAT. NO. 3SRIN, 3SR2N OR 3SR3N OR EQUAL. PROVIDE AT LEAST TWO TRIPLE HOOK CABLE RACKS ON EACH MANHOLE WALL, SPACED TO SUPPORT RESPECTIVE CABLES.
7. COORDINATE INSTALLATION OF MANHOLES WITH RESPECTIVE FINISHED GRADE ELEVATIONS.
8. INCLUDE FLOOR SUMP OR DRAINAGE PIPE.
9. ALL CORING, INTERFACE AND LABOR ASSOCIATED WITH DUCT, CONDUIT, AND/OR CABLE ENTRIES WILL BE CONSIDERED INCIDENTAL TO THE INSTALLATION OF THE MANHOLE AND OTHER ASSOCIATED WORK AND NO ADDITIONAL COMPENSATION WILL BE ALLOWED.

LAYOUT	KNL
DRAWN	SIP
REVIEWED	RDN/KNL

FILE NAME =	USER NAME = ander00846	DESIGNED - KNL	REVISED -
c:\pw\se_work\do_not_delete\0273649\049\9L0105-sh-t-E-502.dgn		DRAWN - SIP	REVISED -
	PLOT SCALE = 1.0000' / 1"	CHECKED - RDN/KNL	REVISED -
	PLOT DATE = 9/8/2015	DATE - 9/9/2015	REVISED -

STATE OF ILLINOIS DEPARTMENT OF TRANSPORTATION	
---	--

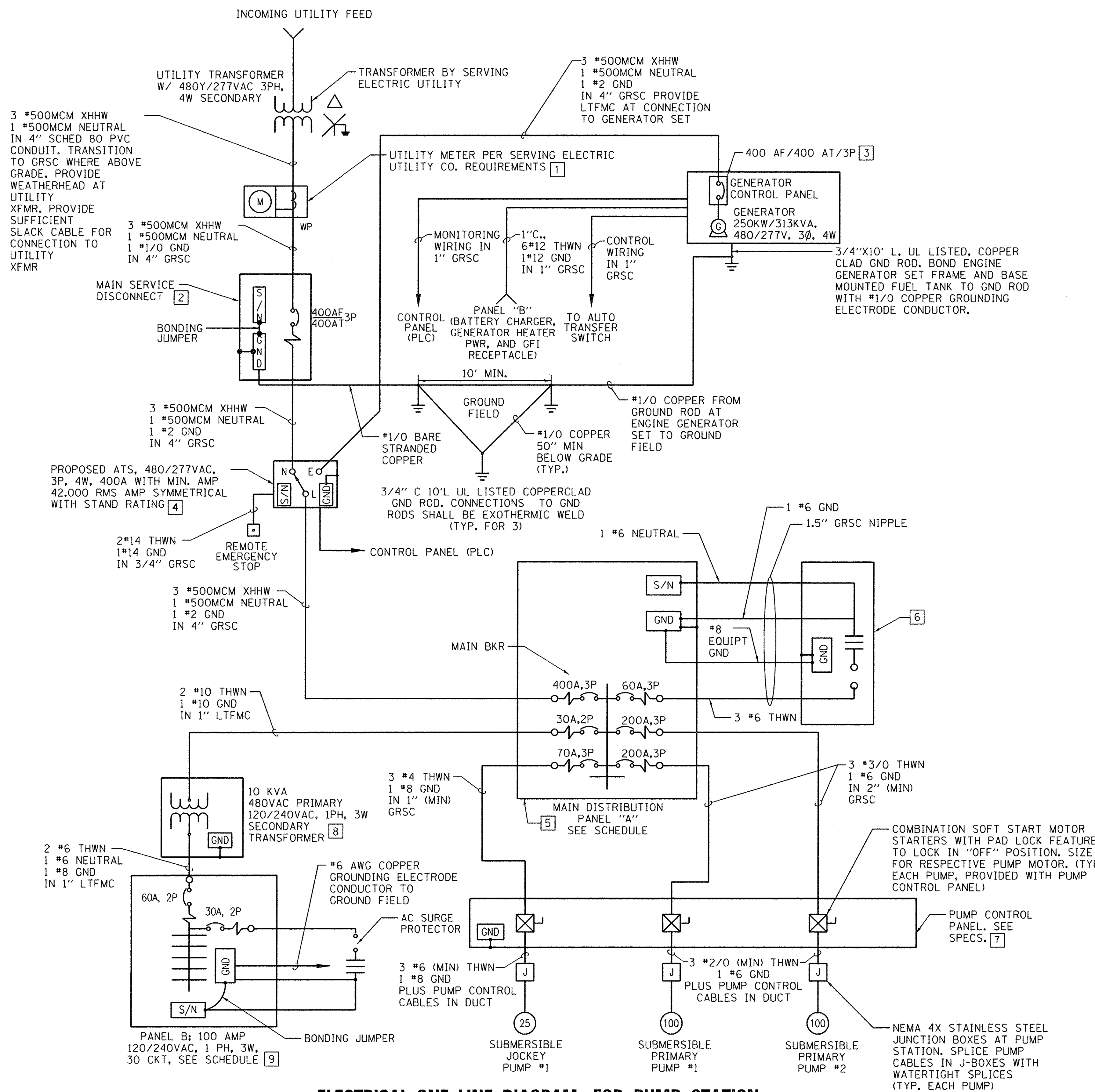
EAST MAIN STREET 4' X 4' X 6' ELECTRICAL MANHOLE			
SCALE: N/A	SHEET NO.	OF SHEETS	STA. TO STA.

F.A.U. RTE.	SECTION	COUNTY	TOTAL SHEETS	SHEET NO.
6800	05-00500-19-GS	KNOX	221	64
50VB		CONTRACT NO.89417		
FED. ROAD DIST. NO.		ILLINOIS FED. AID PROJECT		



© Copyright Hanson Professional Services Inc. 2015
Hanson Professional Services Inc.

PROJECT: s:\projects\documents\09\005\GAD-Phase1\Elec\Sheet\0105-sht-E-601



ELECTRICAL ONE-LINE DIAGRAM FOR PUMP STATION

ELECTRICAL KEYED NOTES:

- 1 CONFIRM UTILITY METERING REQUIREMENTS WITH THE SERVING ELECTRIC UTILITY COMPANY. FURNISH AND INSTALL UTILITY METER BASE PER THE SERVING ELECTRIC UTILITY COMPANY REQUIREMENTS.
- 2 600 VAC, 400 AMP, 3-POLE CIRCUIT BREAKER WITH 42,000 AIC (MIN.) AT 480 VAC IN A NEMA 4X STAINLESS STEEL ENCLOSURE UL LISTED SUITABLE FOR SERVICE ENTRANCE. CIRCUIT BREAKER SHALL BE SELECTED TO MAINTAIN THE WITHSTAND AND CLOSING RATINGS OF THE TRANSFER SWITCH OF 42,000 AMPS (MIN). INCLUDE SOLID NEUTRAL AND EQUIPMENT GROUND BAR KIT. CIRCUIT BREAKER ENCLOSURE SHALL BE PAD LOCKABLE IN THE "OFF" POSITION.
- 3 COORDINATE GENERATOR CIRCUIT BREAKER SELECTION TO MAINTAIN THE WITHSTAND AND CLOSING RATINGS OF THE TRANSFER SWITCH OF 42,000 AMPS (MIN). CIRCUIT BREAKER ENCLOSURE SHALL BE PAD LOCKABLE IN THE "OFF" POSITION.
- 4 400 AMP, 3-POLE 480/277 VAC, 3 PHASE, 4-WIRE, AUTO TRANSFER SWITCH IN A NEMA 4X STAINLESS STEEL ENCLOSURE WITH HINGED COVER. SEE SPECS.
- 5 400 AMP, 480/277 VAC, 3 PHASE, 4-WIRE, MAIN DISTRIBUTION PANELBOARD "A" IN A NEMA 3R, 5, AND 12 ENCLOSURE WITH HINGED COVER. SEE PANELBOARD "A" SCHEDULE FOR REQUIREMENTS.
- 6 AC SURGE PROTECTOR SUITABLE FOR 480/277 VAC, 3 PHASE, 4-WIRE PLUS GROUND SYSTEM WITH A SURGE CURRENT RATING OF 240 KA, 8 X 20 MICROSECOND WAVE PER MODE AND STATUS INDICATION LIGHTS IN A NEMA 4X STAINLESS STEEL ENCLOSURE ; LIGHTNING PROTECTION CORPORATION MODEL 2070-8U-G WITH NEMA 4X STAINLESS STEEL ENCLOSURE OR APPROVED EQUAL. AC SURGE PROTECTOR SHALL BE INSTALLED ON THE SAME SIDE OF THE PANELBOARD AS THE RESPECTIVE BREAKER CONNECTING TO THE SURGE PROTECTOR. MAINTAIN LEADS AS SHORT AND AS STRAIGHT AS POSSIBLE FROM THE PANELBOARD TO THE AC SURGE PROTECTOR DEVICE. PROVIDE DUCT SEAL AT CONDUIT TERMINATIONS.
- 7 PUMP CONTROL PANEL IN A NEMA 4X STAINLESS STEEL ENCLOSURE. EACH MOTOR STARTER SHALL BE A COMBINATION SOFT START TYPE PROPERLY SIZED FOR THE RESPECTIVE PUMP MOTOR AND SHALL HAVE PROVISIONS TO PAD LOCK THE STARTER IN THE "OFF" POSITION. SEE SPECS.
- 8 10 KVA, 480 VAC SINGLE PHASE PRIMARY, 120/240 VAC, SINGLE PHASE, 3-WIRE SECONDARY STEP-DOWN TRANSFORMER IN A NEMA 3R WEATHERPROOF ENCLOSURE. SEE SPECS.
- 9 100 AMP, 120/240 VAC, 1 PHASE, 3-WIRE, PANELBOARD "B" WITH 60 AMP, 2-POLE MAIN BREAKER IN A NEMA 3R, 5, AND 12 ENCLOSURE WITH HINGED COVER. SEE PANELBOARD "B" SCHEDULE FOR REQUIREMENTS.

ELECTRICAL GENERAL NOTES:

1. ALL ELECTRICAL EQUIPMENT AND MATERIALS SHALL BE INSTALLED IN CONFORMANCE WITH NFPA 70 NATIONAL ELECTRICAL CODE (NEC) MOST CURRENT ISSUE IN FORCE, THE RESPECTIVE EQUIPMENT MANUFACTURER'S RECOMMENDATIONS, AND ALL OTHER APPLICABLE LOCAL CODES, LAWS, ORDINANCES, AND REQUIREMENTS IN FORCE. ANY INSTALLATIONS WHICH VOID THE U.L. LISTING, ETL/INTERTEK TESTING SERVICES VERIFICATION LISTING, FM APPROVAL, (OR OTHER THIRD PARTY LISTING) AND/OR THE MANUFACTURER'S WARRANTY OF A DEVICE WILL NOT BE PERMITTED.
2. COORDINATE ELECTRIC SERVICE WORK WITH THE SERVING ELECTRIC UTILITY COMPANY:
AMEREN ILLINOIS
ATTN MS. JULIE CONE
1824 KNOX HIGHWAY 9
GALESBURG, IL. 61401
PHONE: 309-345-5169
CELL PHONE: 309-368-6248
3. PUMP MOTOR SIZES MAY VARY DEPENDING UPON MANUFACTURER. CIRCUIT BREAKERS, MOTOR STARTERS, CONDUITS AND WIRING SHALL BE SIZED FOR THE RESPECTIVE PUMP MOTORS FURNISHED. VERIFY REQUIREMENTS WITH THE RESPECTIVE PUMP MOTOR MANUFACTURER.
4. BATTERY, BATTERY CHARGER, AND ALL GEN. SET CONTROL AND INDICATOR PANELS SHALL BE INSTALLED INSIDE THE ENGINE GENERATOR SET HOUSING. INCLUDE 120 VAC, 20 AMP, GFCI CONVENIENCE RECEPTACLE WITH FS BOX TO BE INSTALLED IN THE GEN SET HOUSING.
5. ALL METAL CONDUITS ENTERING SERVICE ENTRANCE EQUIPMENT AND/OR THE TRANSFER SWITCH SHALL BE GROUNDED USING GROUNDING BUSHING/GROUNDING HUBS WITH GROUND CONDUCTOR FROM BUSHING TO RESPECTIVE ENCLOSURE GROUND BUS.
6. METAL CONDUIT IN DIRECT CONTACT WITH EARTH OR CONCRETE SHALL BE PVC COATED GRSC. METAL CONDUIT ENTERING THE SEWAGE PUMP STATION WET WELL SHALL BE PVC COATED GRSC OR PVC COATED RIGID ALUMINUM.
7. PROVIDE NEMA 4 HUBS FOR ALL CONDUIT ENTERING EXTERIOR ENCLOSURES THAT ARE RATED NEMA 4 OR NEMA 4X TO MAINTAIN THE NEMA 4, 4X RATING OF THE ENCLOSURE. PROVIDE NEMA 4 HUBS FOR ALL CONDUITS ENTERING THE PANELBOARD ENCLOSURE.
8. ALL CONDUCTORS/WIRING SHALL BE COPPER.

LAYOUT	KNL
DRAWN	EJM
REVIEWED	RDN/KNL

FILE NAME =	USER NAME = andr00846	DESIGNED - KNL	REVISED -
c:\pwise_work\do_not_delete\d0273649\049\0105-sht-E-601.dgn		DRAWN - EJM	REVISED -
	PLOT SCALE = 1:0000 / 1 in.	CHECKED - RDN/KNL	REVISED -
	PLOT DATE = 9/9/2015	DATE - 9/9/2015	REVISED -

**STATE OF ILLINOIS
DEPARTMENT OF TRANSPORTATION**

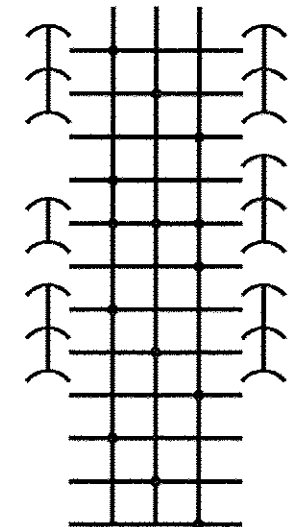
**EAST MAIN STREET
ELECTRICAL ONE-LINE DIAGRAM FOR PUMP STATION**

SCALE: N/A SHEET NO. OF SHEETS STA. TO STA.

F.A.U. RTE.	SECTION	COUNTY	TOTAL SHEETS	SHEET NO.
6800	05-00500-19-GS	KNOX	221	65
50VB		CONTRACT NO.89417		
FED. ROAD DIST. NO.	ILLINOIS FED. AID PROJECT			

MAIN DISTRIBUTION PANEL "A" SCHEDULE

CKT #	DUTY	SIZE	SIZE	DUTY	CKT #
1	MAIN DISCONNECT	400A, 3P	60A, 3P	AC SURGE PROTECTOR	2
	SPACE FOR MAIN SERVICE BKR	---	---		
3	TRANSFORMER PRIMARY DISCONNECT	30A, 2P	200A, 3P	PRIMARY PUMP #1	4
5	JOCKEY PUMP	70A, 3P	200A, 3P	PRIMARY PUMP #2	6
	1.5" SPACE	---	1.5" SPACE		---
	1.5" SPACE	---	1.5" SPACE		---
	1.5" SPACE	---	1.5" SPACE		---



GND

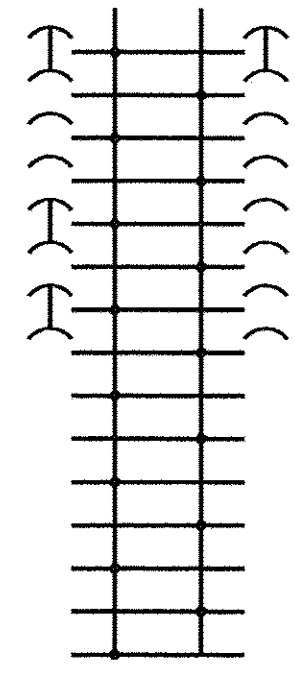
400AMP, 480/277 VAC, 3 PHASE, 4 WIRE PANELBOARD WITH 400AMP, 3 POLE MAIN BREAKER (REVERSE FEED AMIN BREAKER IS ACCEPTABLE) IN A NEMA 3R & 12 ENCLOSURE UL LISTED SUITABLE FOR SERVICE ENTRANCE. ENCLOSURE SHALL HAVE A HINGED COVER. PANEL SHALL HAVE 36" MINIMUM OF CIRCUIT BREAKER MOUNTING SPACE FOR BREAKERS. PANELBOARD SHALL ACCOMMODATE BRANCH/FEEDER BREAKERS UP TO 400 AMP FRAME SIZE. PANELBOARD SHALL BE SQUARE D I-LINE HCP SERIES WITH NEMA 3R & 12 ENCLOSURE, OR APPROVED EQUAL.

NOTES:

- PANELBOARD SHALL BE BRACED FOR 35,000 AMPS SYMMETRICAL MINIMUM AT 480VAC.
- PANEL SHALL HAVE COPPER BUS, COPPER NEUTRAL & COPPER EQUIPMENT GROUND BAR.
- ALL FEEDER & BRANCH BREAKERS SHALL HAVE AN INTERRUPTING RATING OF 35,000 AIC MINIMUM AT 480VAC.
- INCLUDE PHENOLIC ENGRAVED LEGEND PLATE LABELED "MAIN DISTRIBUTION PANEL "A" 480/277 VAC, 3 PHASE, 4-WIRE.
- INCLUDE PHENOLIC ENGRAVED LEGEND PLATES TO IDENTIFY EACH BREAKER.
- CIRCUIT BREAKERS AND WIRING SHALL BE SIZED FOR THE ACTUAL EQUIPMENT FURNISHED IN CONFORMANCE WITH THE RESPECTIVE MANUFACTURER'S RECOMMENDATION AND N.E.C. CONTRACTOR SHALL ADJUST CIRCUIT BREAKER SIZES & WIRING WHERE APPLICABLE TO CONFORM WITH THE MANUFACTURER'S RECOMMENDATIONS AND N.E.C.

120/240V PANELBOARD "B" SCHEDULE

CKT #	DUTY	SIZE	SIZE	DUTY	CKT #
1	MAIN BREAKER	60A, 2P	30A, 2P	AC SURGE PROTECTOR	2
3		---	---		4
5	BATTERY CHARGER	20A, 1P	20A, 1P	CONVENIENCE RECEPT	6
7	CONV. RECEPT FOR GENERATOR	20A, 1P	15A, 1P	CONTROL POWER FOR PUMPS	8
9	BLOCK HEATER	15A, 2P	15A, 1P	SPARE	10
11	---	---	20A, 1P	SPARE	12
13	SPARE	20A, 2P	25A, 1P	SPARE	14
15	---	---	30A, 1P	SPARE	16
17	BLANK			BLANK	18
19	BLANK			BLANK	20
21	BLANK			BLANK	22
23	BLANK			BLANK	24
25	BLANK			BLANK	26
27	BLANK			BLANK	28
29	BLANK			BLANK	30



S/N

GND

100AMP, 120/240VAC, 1 PHASE, 3 WIRE 30 CIRCUIT PANELBOARD WITH 60AMP, 2 POLE MAIN BREAKER RATED 10,000 AIC AT 240VAC IN A NEMA 3R, 5 & 12 ENCLOSURE WITH HINGED COVER. PANELBOARD SHALL ACCOMMODATE FEEDER AND BRACH BREAKER UP TO 100AMP, 2 POLE FRAME & TRIP RATING. PANELBOARD SHALL BE SQUARE D CAT. NO. N030LIC WITH COPPER NEUTRAL & COPPER GROUND BAR KIT, AND CAT NO. MH32WP ENCLOSURES OR APPROVED EQUAL.

NOTES:

- PANELBOARD BUSES SHALL BE COPPER. NEUTRAL SHALL BE COPPER. EQUIPMENT GROUND BAR SHALL BE COPPER.
- ALL BRANCH CIRCUIT & FEEDER BREAKERS SHALL BE BOLT-ON TYPE WITH 10,000 AIC AT 120/240 VAC.
- INCLUDE ENGRAVED, PHENOLIC OR PLASTIC LEGEND PLATE LABELED "PANEL B, 120/240 VAC, 1PH, 3W".
- CIRCUIT BREAKERS AND WIRING SHALL BE SIZED FOR THE ACTUAL EQUIPMENT FURNISHED IN CONFORMANCE WITH THE RESPECTIVE MANUFACTURER'S RECOMMENDATION AND N.E.C. CONTRACTOR SHALL ADJUST CIRCUIT BREAKER SIZES & WIRING WHERE APPLICABLE TO CONFORM WITH THE MANUFACTURER'S RECOMMENDATIONS AND N.E.C.
- FURNISH AND INSTALL A 20 AMP, 125VAC, GFCI SPEC GRADE RECEPTACLE WITH CAST WEATHERPROOF OUTLET BOX AND WEATHERPROOF COVER. FURNISH AND CAST ALUMINUM LOCKING TYPE "WHILE IN USE" AND INSTALL 1 *12 THWN, 1 *12 NEUTRAL, 1 *12 GND IN 3/4 INCH GRSC NIPPLE FROM 20 AMP, 1P BRANCH BREAKER TO RECEPTACLE.
- FURNISH AND INSTALL AN AC SURGE PROTECTOR SUITABLE FOR 120/240VAC, 1 PHASE, 3-WIRE PLUS GROUND SYSTEM WITH SURGE CURRENT RATING NOT LESS THAN 40KA, 8x20 MICROSECOND WAVE, PER MODE, SQUARE D CAT. NO. TVSI20XR50S, JOSLYN MODEL 1265-21, OR APPROVED EQUAL.

LAYOUT	KNL
DRAWN	SIP
REVIEWED	RDN/KNL

LEGEND PLATE SCHEDULE	
DEVICE	LABEL
SERVICE DISCONNECT FOR PUMP STATION	SERVICE DISCONNECT 480/277 VAC, 3 PH, 4-W
SERVICE DISCONNECT FOR PUMP STATION	NOTE ELECTRIC SERVICE IS BACKED UP BY AN ENGINE GENERATOR SET LOCATED ON SITE
SERVICE DISCONNECT FOR PUMP STATION	WARNING SHOCK HAZARD EXISTS IF GROUNDING ELECTRODE CONDUCTOR OR BONDING JUMPER CONNECTION IN THIS EQUIPMENT IS REMOVED WHILE ALTERNATIVE SOURCE IS ENERGIZED
SERVICE DISCONNECT FOR PUMP STATION Note: The fault current will need to be calculated and/or provided by the serving electric utility and the date of the calculation recorded for the nameplate to comply with NEC 110.24(A) "Field Marking".	MAX AVAILABLE FAULT CURRENT CALCULATED TO BE ___ AMPS LINE TO LINE AND ___ AMPS LINE TO NEUTRAL ON _____
MAIN BREAKER FOR ENGINE GENERATOR SET	GENERATOR DISCONNECT 480/277 VAC, 3 PH, 4-W
AUTO TRANSFER SWITCH	AUTO TRANSFER SWITCH 480/277 VAC, 3 PH, 4-W
MAIN DISTRIBUTION PANELBOARD "A"	MAIN DISTRIBUTION PANEL A 480/277 VAC, 3 PH, 4-W
MAIN DISTRIBUTION PANELBOARD "A"	THIS PANELBOARD IS POWERED BY THE SERVICE DISCONNECT AND THE ENGINE GENERATOR SET THROUGH THE TRANSFER SWITCH
MAIN BREAKER IN MAIN DISTRIBUTION PANEL "A"	MAIN DISCONNECT
CIRCUIT BREAKER FOR AC SURGE PROTECTOR IN MAIN DISTRIBUTION PANEL "A"	SURGE PROTECTOR
CIRCUIT BREAKER FOR STEP DOWN TRANSFORMER IN MAIN DISTRIBUTION PANEL "A"	STEP-DOWN TRANSFORMER
CIRCUIT BREAKER FOR JOCKEY PUMP IN MAIN DISTRIBUTION PANEL "A"	JOCKEY PUMP
CIRCUIT BREAKER FOR PRIMARY PUMP NUMBER 1 IN MAIN DISTRIBUTION PANEL "A"	PRIMARY PUMP #1
CIRCUIT BREAKER FOR PRIMARY PUMP NUMBER 2 IN MAIN DISTRIBUTION PANEL "A"	PRIMARY PUMP #2
JUNCTION BOX FOR JOCKEY PUMP WIRING	JOCKEY PUMP
JUNCTION BOX FOR PRIMARY PUMP #1	PRIMARY PUMP #1
JUNCTION BOX FOR PRIMARY PUMP #2	PRIMARY PUMP #2
JUNCTION BOX FOR LEVEL TRANSDUCER & FLOAT SWITCH WIRING	LEVEL CONTROL WIRING INTRINSICALLY SAFE
PUMP CONTROL PANEL	NOTE PUMP CONTROL PANEL HAS MULTIPLE FEEDER AND BRANCH CIRCUITS, DISCONNECT POWER BEFORE SERVICING

CABLE TAG SCHEDULE	
DEVICE	LABEL
JOCKEY PUMP CIRCUIT CABLES	JOCKEY PUMP
PRIMARY PUMP NUMBER 1 CIRCUIT CONDUCTORS	PRIMARY PUMP #1
PRIMARY PUMP NUMBER 2 CIRCUIT CONDUCTORS	PRIMARY PUMP #2
PUMP CONTROL SUBMERSIBLE LEVEL TRANSDUCER CABLE	TRANSDUCER
FLOAT SWITCH PUMP CONTROL CONDUCTORS	FLOAT SWITCHES

GENERAL NOTES:

1. LEGEND PLATES SHALL BE WEATHERPROOF ENGRAVED PLASTIC OR PHENOLIC MATERIAL, 1/4" HIGH WHITE LETTERS ON A RED BACKGROUND UNLESS NOTED OTHERWISE. SECURE WITH WEATHERPROOF ADHESIVE AND MACHINE SCREWS, FURNISH ADDITIONAL LEGEND PLATES WHERE REQUIRED BY CODE, FOR ADDITIONAL EQUIPMENT AS DETAILED HEREIN ON THE PLANS, AND AS NOTED IN THE SPECIAL PROVISION SPECIFICATIONS.
2. LEGEND PLATES FOR EQUIPMENT THAT IS NOT BACKED UP BY THE ENGINE GENERATOR SET SHALL HAVE 1/4" HIGH BLACK LETTERS ON A WHITE BACKGROUND. (FOR EXAMPLE THE SERVICE DISCONNECT)
3. FURNISH & INSTALL A WEATHERPROOF WARNING LABEL FOR EACH SAFETY SWITCH, PANELBOARD, LOAD CENTER, CUTOFF, & CONTROL PANEL TO WARN PERSONS OF POTENTIAL ELECTRIC ARC FLASH HAZARDS, PER THE REQUIREMENTS OF NEC 110.16 "ARC-FLASH HAZARD WARNING". LABELS SHALL BE HAZARD COMMUNICATION SYSTEMS, LLC (190 OLD MILFORD RD., BOX 1174, MILFORD, PA 18337, PHONE: 1-877-748-0244) PART NO. H6010-9VWHBJ OR APPROVED EQUAL.
4. ALL POWER AND CONTROL CABLES IN HANDHOLES, MANHOLES, AND JUNCTION BOXES SHALL BE TAGGED TO IDENTIFY THE RESPECTIVE CABLE. A MINIMUM OF TWO TAGS SHALL BE PROVIDED ON EACH CABLE IN A MANHOLE; ONE AT THE CABLE ENTRANCE AND ONE AT THE CABLE EXIT. CABLE TAGS SHALL BE STAMPED BRASS TAGS OR OTHER WEATHERPROOF/WATERPROOF CORROSION RESISTANT MATERIAL.
5. FAULT CURRENT INFORMATION TO BE PROVIDED BY SERVING ELECTRIC UTILITY COMPANY. CONTACT PROJECT ENGINEER TO CONFIRM FAULT CURRENT CALCULATIONS.

LAYOUT	KNL
DRAWN	SIP
REVIEWED	RDN/KNL

**STATE OF ILLINOIS
 DEPARTMENT OF TRANSPORTATION**

**EAST MAIN STREET
 LEGEND PLATE SCHEDULES**

SCALE: N/A SHEET NO. OF SHEETS STA. TO STA.

F.A.J. RTE.	SECTION	COUNTY	TOTAL SHEETS	SHEET NO.
6800	05-00500-19-GS	KNOX	221	67
50VB		CONTRACT NO.89417		
FED. ROAD DIST. NO.		ILLINOIS FED. AID PROJECT		

! WARNING		
Arc-Flash and Shock Hazard Appropriate PPE Required		
Equipment Name	Main Service Disconnect	
Voltage	480V	
Fed From	Utility Xfmr	
Arc-Flash Protection		
Hazard/Risk Category	2	
Working Distance	1'-6"	(45.7 cm)
Incident Energy	7.96 cal/cm ²	(33.28 J/cm ²)
Arc-Flash Protection Boundary		
Distance	4'-9"	(1.45 m)
Energy	1.2 cal/cm ²	(5.02 J/cm ²)
Shock Protection		
Limited Approach Boundary	3'-6"	(1 m)
Restricted Approach Boundary	1'	(0.3 m)
Prohibited Approach Boundary	1"	(25 mm)

MAIN SERVICE DISCONNECT LABEL

! WARNING		
Arc-Flash and Shock Hazard Appropriate PPE Required		
Equipment Name	Emergency Generator	
Voltage	480V	
Fed From	UTILITY	
Arc-Flash Protection		
Hazard/Risk Category	1	
Working Distance	1'-6"	(45.7 cm)
Incident Energy	2.79 cal/cm ²	(11.67 J/cm ²)
Arc-Flash Protection Boundary		
Distance	2'-6"	(76.4 cm)
Energy	1.2 cal/cm ²	(5.02 J/cm ²)
Shock Protection		
Limited Approach Boundary	3'-6"	(1 m)
Restricted Approach Boundary	1'	(0.3 m)
Prohibited Approach Boundary	1"	(25 mm)

ENGINE GENERATOR LABEL

! WARNING		
Arc-Flash and Shock Hazard Appropriate PPE Required		
Equipment Name	ATS-1	
Voltage	480V	
Fed From	Main Service Disconnect / Emergency Generator	
Arc-Flash Protection		
Hazard/Risk Category	2	
Working Distance	1'-6"	(45.7 cm)
Incident Energy	7.85 cal/cm ²	(32.83 J/cm ²)
Arc-Flash Protection Boundary		
Distance	4'-9"	(1.44 m)
Energy	1.2 cal/cm ²	(5.02 J/cm ²)
Shock Protection		
Limited Approach Boundary	3'-6"	(1 m)
Restricted Approach Boundary	1'	(0.3 m)
Prohibited Approach Boundary	1"	(25 mm)

TRANSFER SWITCH LABEL

! WARNING		
Arc-Flash and Shock Hazard Appropriate PPE Required		
Equipment Name	MDP-A	
Voltage	480V	
Fed From	ATS-1	
Arc-Flash Protection		
Hazard/Risk Category	2	
Working Distance	1'-6"	(45.7 cm)
Incident Energy	7.76 cal/cm ²	(32.46 J/cm ²)
Arc-Flash Protection Boundary		
Distance	4'-8"	(1.43 m)
Energy	1.2 cal/cm ²	(5.02 J/cm ²)
Shock Protection		
Limited Approach Boundary	3'-6"	(1 m)
Restricted Approach Boundary	1'	(0.3 m)
Prohibited Approach Boundary	1"	(25 mm)

480V MAIN DIST. PANEL LABEL

! WARNING		
Arc-Flash and Shock Hazard Appropriate PPE Required		
Equipment Name	XFMR B	
Voltage	240V	
Fed From	MDP-A	
Arc-Flash Protection		
Hazard/Risk Category	1	
Working Distance	1'-6"	(45.7 cm)
Incident Energy	1.21 cal/cm ²	(5.07 J/cm ²)
Arc-Flash Protection Boundary		
Distance	1'-6"	(46 cm)
Energy	1.2 cal/cm ²	(5.02 J/cm ²)
Shock Protection		
Limited Approach Boundary	3'-6"	(1 m)
Restricted Approach Boundary	Avoid contact	
Prohibited Approach Boundary	Avoid contact	

480V TO 120/240V STEP-DOWN XFMR LABEL

! WARNING		
Arc-Flash and Shock Hazard Appropriate PPE Required		
Equipment Name	Panel B	
Voltage	240V	
Fed From	XFMR B	
Arc-Flash Protection		
Hazard/Risk Category	0	
Working Distance	1'-6"	(45.7 cm)
Incident Energy	1.18 cal/cm ²	(4.95 J/cm ²)
Arc-Flash Protection Boundary		
Distance	1'-6"	(45.3 cm)
Energy	1.2 cal/cm ²	(5.02 J/cm ²)
Shock Protection		
Limited Approach Boundary	3'-6"	(1 m)
Restricted Approach Boundary	Avoid contact	
Prohibited Approach Boundary	Avoid contact	

120/240V PANEL B LABEL

NOTES:
 PROVIDE ARC-FLASH AND SHOCK HAZARD WARNING LABELS FOR EQUIPMENT AS DETAILED ON THIS SHEET AND IN ACCORDANCE WITH NEC 110.16 ARC-FLASH HAZARD WARNING, AND NEC 110.21 MARKING.

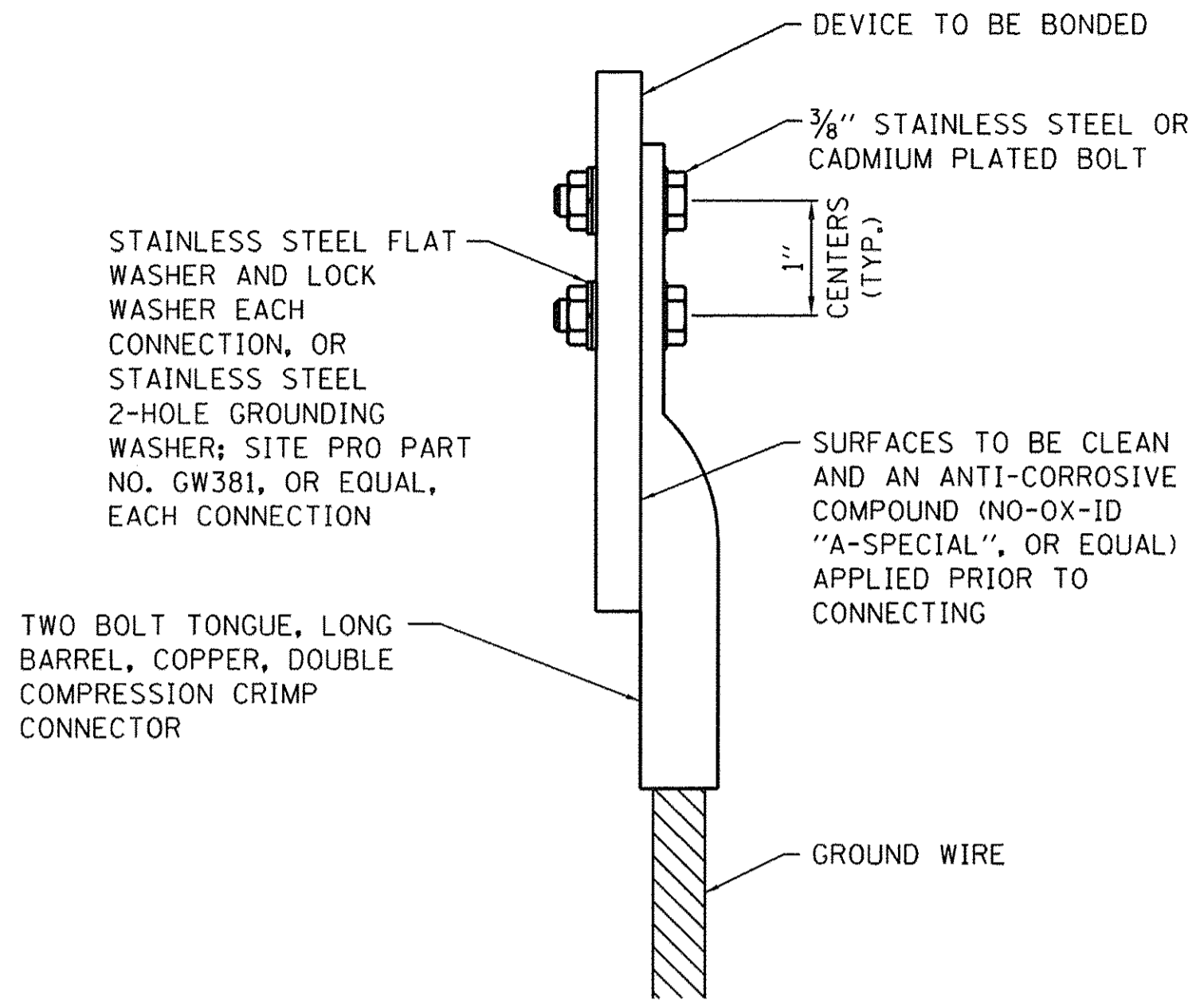
LAYOUT	KNL
DRAWN	SIP
REVIEWED	RDN/KNL

FILE NAME =	USER NAME =	DESIGNED -	REVISED -
cr:\pwise_work\do_not_delete\0273649\049\010105-sht-E-604.dgn	ender00846	KNL	-
		DRAWN -	REVISED -
		SIP	-
		CHECKED -	REVISED -
		RDN/KNL	-
		DATE -	REVISED -
		9/9/2015	-

STATE OF ILLINOIS DEPARTMENT OF TRANSPORTATION	
---	--

EAST MAIN STREET ARC-FLASH WARNING LABELS			
SCALE: N/A	SHEET NO.	OF SHEETS	STA. TO STA.

F.A.U. RTE.	SECTION	COUNTY	TOTAL SHEETS	SHEET NO.
6800	05-00500-19-GS	KNOX	221	68
50VB		CONTRACT NO.89417		
FED. ROAD DIST. NO.		ILLINOIS FED. AID PROJECT		

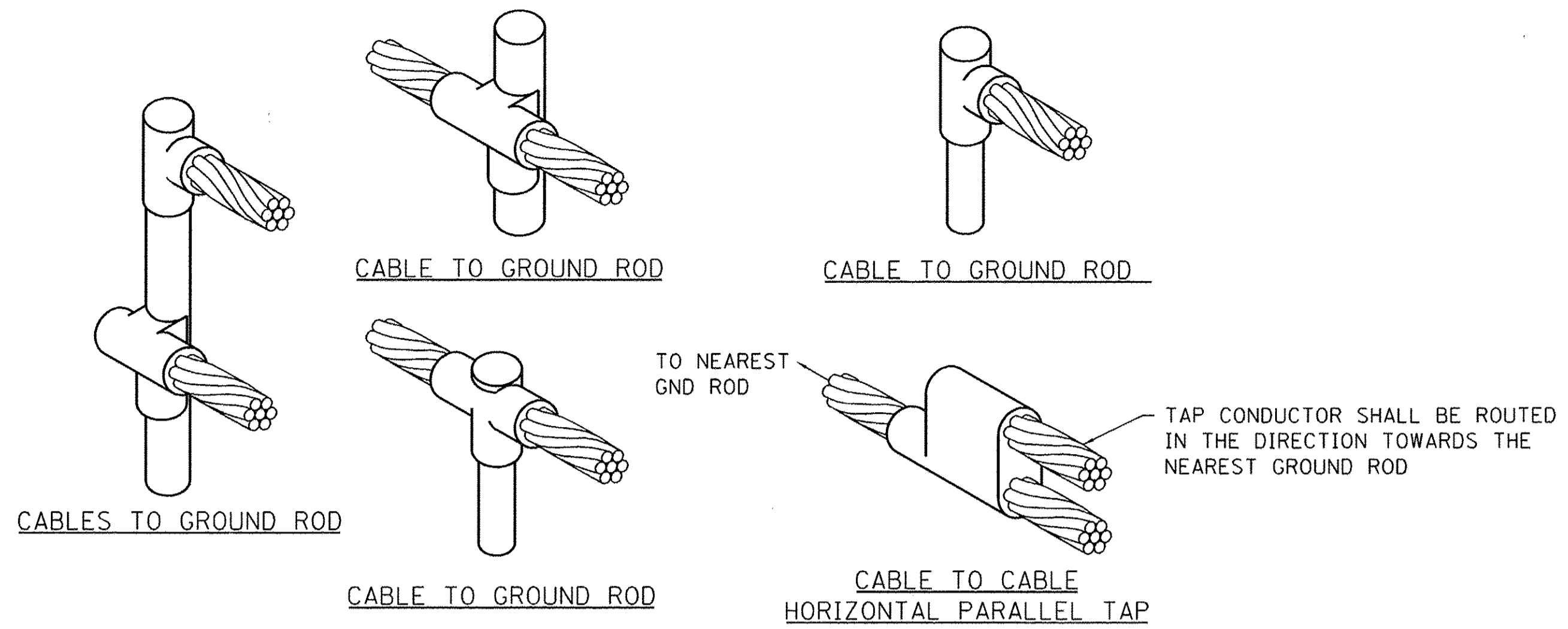


2 HOLE LONG BARREL COMPRESSION LUG TABLE			
WIRE SIZE	BURNDY CAT. NO.	THOMAS & BETTS CAT. NO.	PENN-UNION CAT. NO.
#8 AWG STRANDED	YA8C-2TC38	256-30695-1157	BBLU-8D-2TC38
#6 AWG SOLID	YA8C-2TC38 OR YGA6C-2TC38E2G1		
#6 AWG STRANDED	YA6C-2TC38	256-30695-1158	BBLU-6D-2TC38
#4 AWG STRANDED	YA4C-2TC38	256-30695-1159	BBLU-4D-2TC38
#2 AWG STRANDED	YA2C-2TC38	256-30695-1160	BBLU-2D-2TC38
#2 AWG SOLID	YA3C-2TC38	256-30695-1160	BBLU-3D-2TC38
#1/0 AWG STRANDED	YA25-2TC38	256-30695-1162	BBLU-1/0D-2TC38
#2/0 AWG STRANDED	YA26-2TC38	256-30695-1116	BBLU-2/0D-2TC38
#3/0 AWG STRANDED	YA27-2TC38	54816BE	BBLU-3/0D-2TC38
#4/0 AWG STRANDED	YA28-2TC38	256-30695-1117	BBLU-4/0D-2TC38

NOTES

- ALL CONNECTIONS TO GROUND BUS BAR SHALL BE WITH 2 HOLE TONGUE LONG BARREL COMPRESSION LUGS BOLTED TO THE BUS BAR.
- GROUND WIRE CONNECTIONS TO EQUIPMENT SHALL BE WITH 2 HOLE TONGUE LONG BARREL COMPRESSION LUGS BOLTED TO THE DEVICE OR WITH THE RESPECTIVE EQUIPT MANUFACTURER'S LUG OR TERMINAL WHERE APPLICABLE.
- GROUNDING ELECTRODE CONDUCTORS, BONDING JUMPERS, & INDIVIDUAL GROUND WIRES SHALL NOT BE INSTALLED IN METAL CONDUIT. WHERE PLASTIC CONDUIT IS USED FOR INDIVIDUAL GROUND WIRES, DO NOT COMPLETELY ENCIRCLE THE CONDUIT WITH FERROUS AND/OR MAGNETIC MATERIALS. WHERE METAL CLAMPS ARE INSTALLED USE NYLON BOLTS, NUTS, WASHERS, & SPACERS TO INTERRUPT A COMPLETE METALLIC PATH FROM ENCIRCLING THE CONDUIT.
- ALL CONNECTIONS SHALL BE COATED WITH A CORROSION PREVENTATIVE COMPOUND (SANCHEM INC. NO-OX-ID "A-SPECIAL", BURNDY PENETROX E, OR EQUAL) BEFORE JOINING. ALL COPPER BUS BARS SHALL BE CLEANED PRIOR TO MAKING CONNECTIONS TO REMOVE SURFACE OXIDATION. CLEAN SURFACES, OF RESPECTIVE DEVICES TO BE BONDED, TO BARE METAL, PER NEC 250-12.

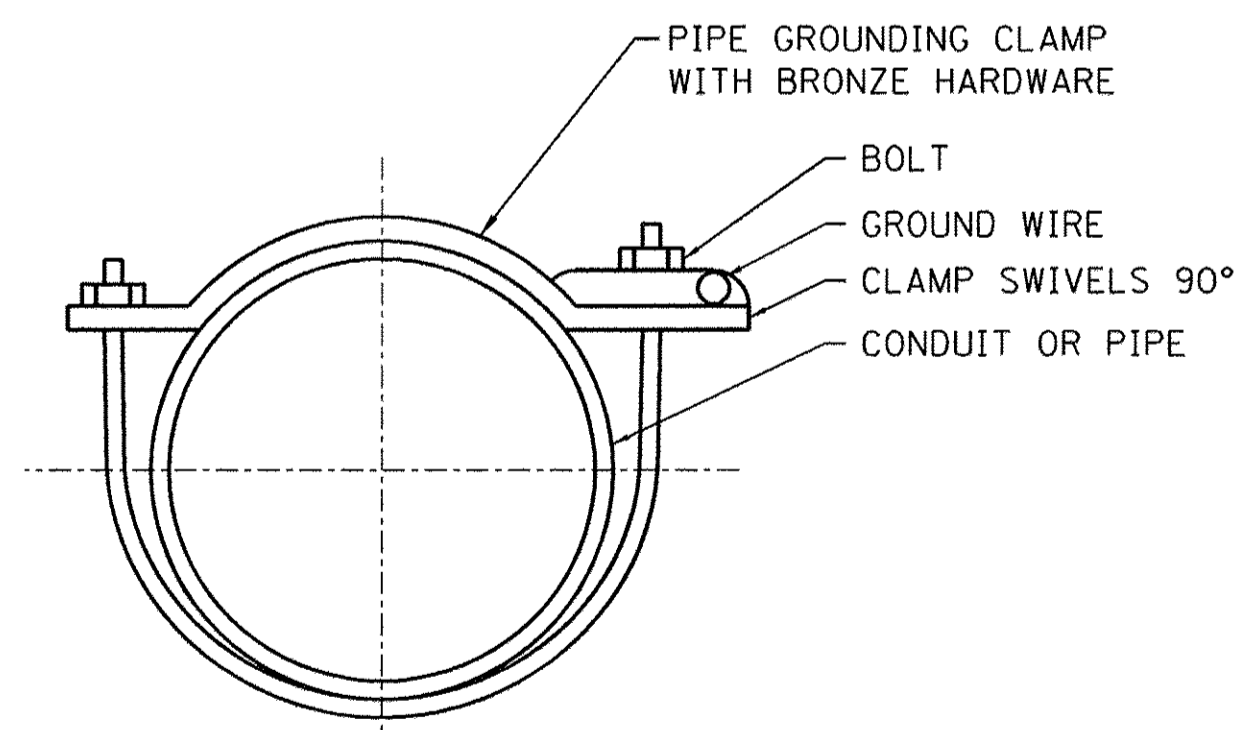
GROUNDING LUG CONNECTION DETAIL



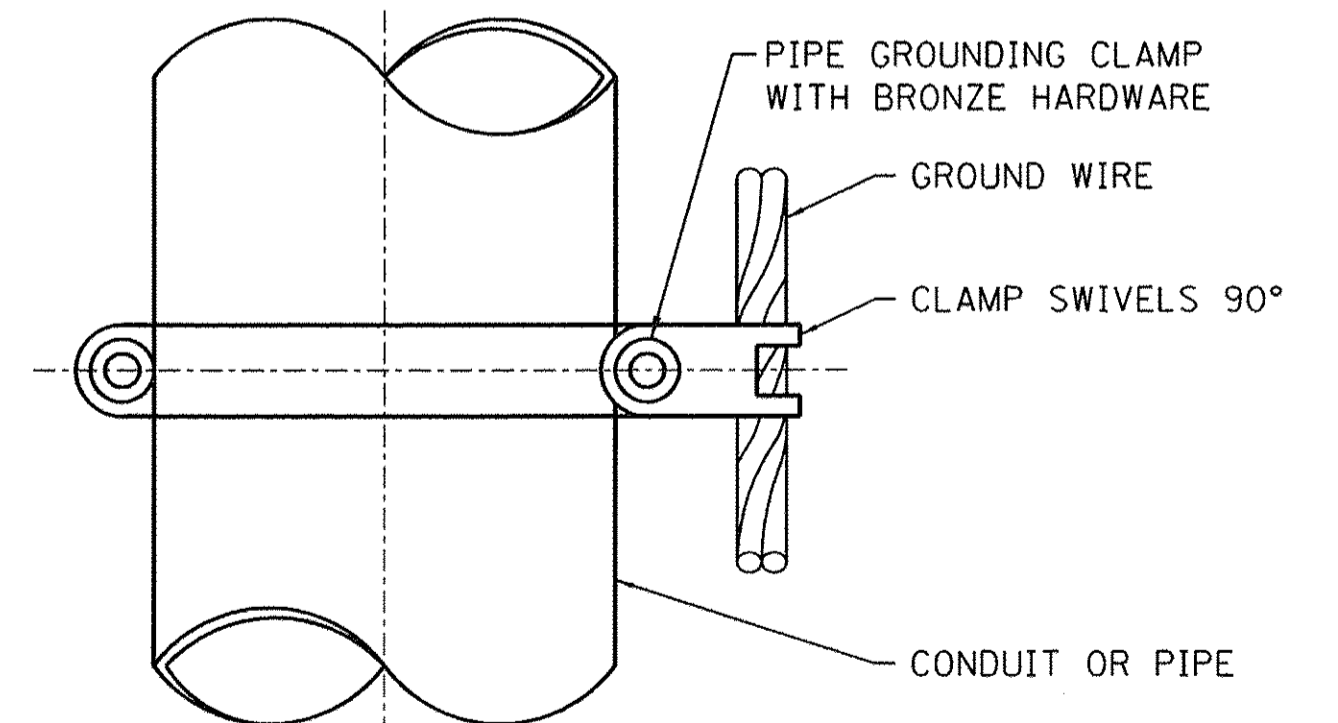
DETAIL NOTES

- ALL BELOW GRADE CONNECTIONS TO GROUND RODS & GROUND RING CONDUCTORS SHALL BE EXOTHERMIC WELD TYPE CONNECTIONS. EXOTHERMIC WELDS SHALL BE CADWELD AS MANUFACTURED BY ERICO PRODUCTS, SOLON, OHIO, ULTRAWELD AS MANUFACTURED BY HARGER LIGHTNING PROTECTION & GROUNDING EQUIPMENT, GRAYSLAKE, IL, THERMOWELD AS MANUFACTURED BY CONTINENTAL INDUSTRIES, TULSA, OKLAHOMA, OR APPROVED EQUAL. VERIFY PROPER SIZES, MOLDS, TYPES, AND REQUIREMENTS FOR THE RESPECTIVE APPLICATION WITH THE MANUFACTURER, AND INSTALL PER THEIR DIRECTIONS.
- FOR APPLICATIONS TO GALVANIZED STEEL OR PAINTED STEEL, REMOVE GALVANIZING AND/OR PAINT & CLEAN THE SURFACE TO EXPOSE BARE STEEL BEFORE MAKING EXOTHERMIC WELD CONNECTION.
- INDIVIDUAL GROUNDING ELECTRODE CONDUCTORS SHALL NOT BE INSTALLED IN METAL CONDUIT. INSTALL GROUNDING ELECTRODE CONDUCTORS IN SCHED 40 PVC CONDUIT AS REQUIRED IN FOUNDATIONS, FOR PROTECTION, WHERE ENTERING ENCLOSURES, ETC. WHERE PLASTIC CONDUIT IS USED FOR INDIVIDUAL GROUND WIRES, DO NOT COMPLETELY ENCIRCLE THE CONDUIT WITH FERROUS AND/OR MAGNETIC MATERIALS. WHERE METAL CLAMPS ARE INSTALLED USE NYLON BOLTS, NUTS, WASHERS, & SPACERS TO INTERRUPT A COMPLETE METALLIC PATH FROM ENCIRCLING THE CONDUIT.

EXOTHERMIC WELD DETAILS



PIPE GROUNDING CLAMP TABLE	
BURNDY CAT. NO.	PIPE SIZE
GAR3902-BU	1/2" - 1"
GAR3903-BU	1 1/4" - 2"
GAR3904-BU	2 1/2" - 3 1/2"
GAR3905-BU	4" - 5"
GAR3906-BU	6"



NOTES

- PIPE GROUNDING CLAMPS SHALL HAVE BRONZE HARDWARE, BE CORROSION RESISTANT, SUITABLE FOR DIRECT BURIAL IN EARTH OR CONCRETE, & UL467 LISTED.

PIPE/CONDUIT GROUNDING CLAMP DETAIL

LAYOUT	KNL
DRAWN	SIP
REVIEWED	RON/KNL

FILE NAME = o:\pwise_work\do_not_delete\0273649\044	USER NAME = andr00846	DESIGNED - KNL	REVISED -
9L0105-sht-E-503.dgn		DRAWN - SIP	REVISED -
PLOT SCALE = 1.0000 / in.		CHECKED - RON/KNL	REVISED -
PLOT DATE = 9/8/2015		DATE - 9/9/2015	REVISED -

**STATE OF ILLINOIS
 DEPARTMENT OF TRANSPORTATION**

**EAST MAIN STREET
 GROUNDING DETAILS**

SCALE: N/A SHEET NO. OF SHEETS STA. TO STA.

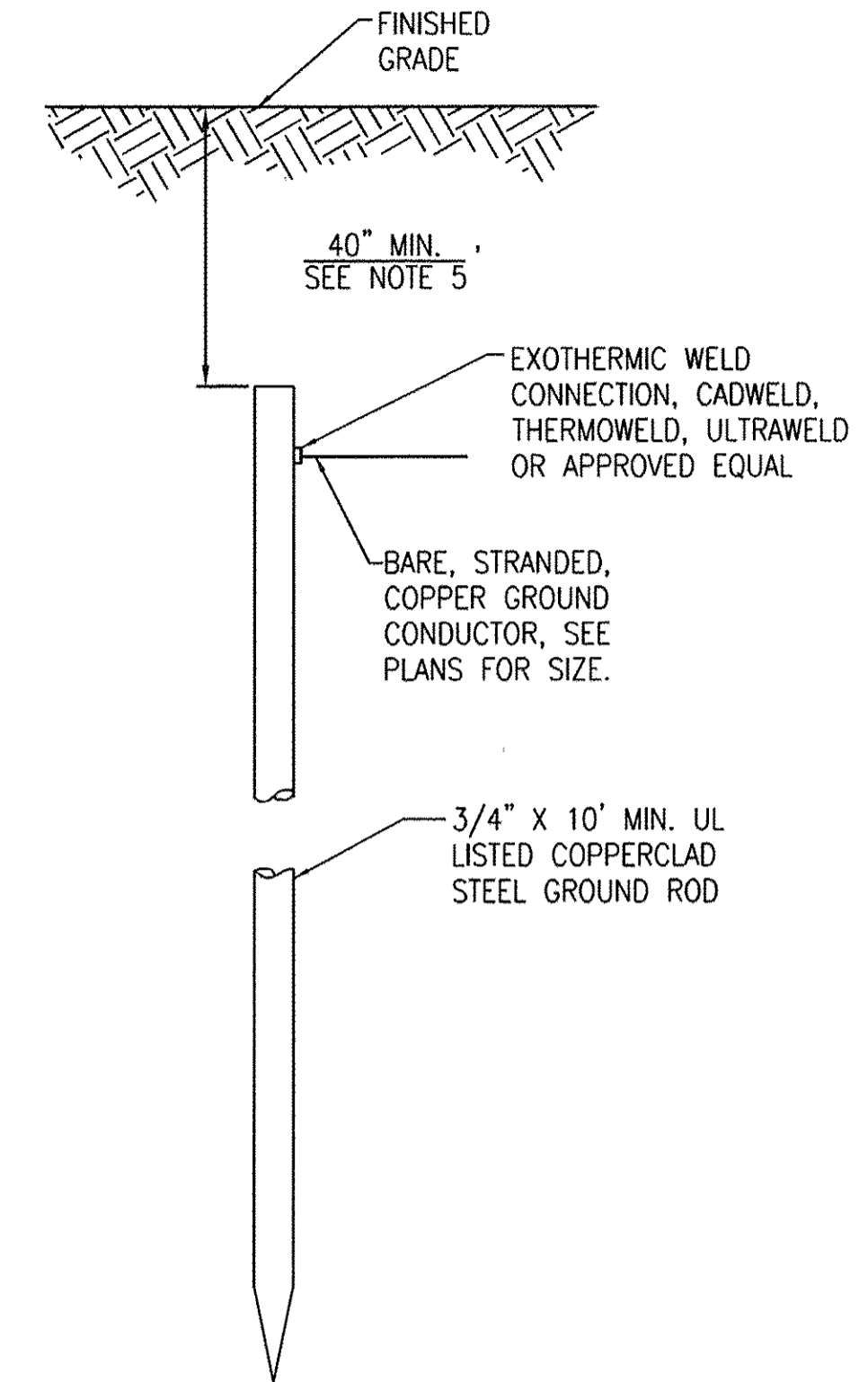
F.A.U. RTE.	SECTION	COUNTY	TOTAL SHEETS	SHEET NO.
6800	05-00500-19-GS	KNOX	221	69
50VB		CONTRACT NO.89417		
FED. ROAD DIST. NO.		ILLINOIS FED. AID PROJECT		

GROUNDING NOTES

- THE CONTRACTOR SHALL FURNISH AND INSTALL ALL GROUNDING AS MAY BE NECESSARY OR REQUIRED TO MAKE A COMPLETE GROUNDING SYSTEM AS REQUIRED BY THE LATEST NATIONAL ELECTRICAL CODE (NFPA 70) IN FORCE. THE RELIABILITY OF THE GROUNDING SYSTEM IS DEPENDENT ON CAREFUL, PROPER INSTALLATION AND CHOICE OF MATERIALS. IMPROPER PREPARATION OF SURFACES TO BE JOINED TO MAKE AN ELECTRICAL PATH, LOOSE JOINTS OR CORROSION CAN INTRODUCE IMPEDANCE THAT WILL SERIOUSLY IMPAIR THE ABILITY OF THE GROUND PATH TO PROTECT PERSONNEL AND EQUIPMENT AND TO ABSORB TRANSIENTS THAT CAN CAUSE NOISE IN COMMUNICATIONS CIRCUITS. THE FOLLOWING FUNCTIONS ARE PARTICULARLY IMPORTANT TO ENSURE A RELIABLE GROUND SYSTEM:
- FURNISH AND INSTALL GROUND RODS AS DETAILED HEREIN. GROUND RODS SHALL BE MINIMUM 3/4-IN. DIAMETER BY 10-FT LONG, UL-LISTED, COPPER CLAD STEEL WITH 10-MIL MINIMUM COPPER COATING. GROUND RODS SHALL BE SPACED OR AS DETAILED ON THE RESPECTIVE PLANS, AND IN NO CASE SPACED LESS THAN ONE ROD LENGTH APART. ALL CONNECTIONS TO GROUND RODS AND THE GROUND RING/GROUND FIELD SHALL BE MADE WITH EXOTHERMIC WELD TYPE CONNECTORS, CADWELD BY ERICO PRODUCTS, INC., SOLON, OHIO, (PHONE 1-800-248-9353), THERMOWELD BY CONTINENTAL INDUSTRIES, INC., TULSA, OKLAHOMA (PHONE 918-663-1440) OR ULTRAWELD BY HARGER, GRAYSLAKE, ILLINOIS (PHONE 1-800-842-7437) OR APPROVED EQUAL. EXOTHERMIC WELD CONNECTIONS SHALL BE INSTALLED IN CONFORMANCE WITH THE RESPECTIVE MANUFACTURER'S DIRECTIONS USING MOLDS AS REQUIRED FOR EACH RESPECTIVE APPLICATION. BOLTED CONNECTIONS WILL NOT BE PERMITTED AT GROUND RODS OR AT BURIED GROUNDING ELECTRODE CONDUCTORS.
- CONTRACTOR SHALL TEST EACH MADE ELECTRODE GROUND ROD/GROUND FIELD/GROUND RING WITH AN INSTRUMENT SPECIFICALLY DESIGNED FOR TESTING GROUND FIELD SYSTEMS. IF GROUND RESISTANCE EXCEEDS 25 OHMS, CONTACT THE PROJECT ENGINEER FOR FURTHER DIRECTION. COPIES OF GROUND ROD TEST RESULTS SHALL BE FURNISHED TO THE OWNER'S REPRESENTATIVE.
- ALL PRODUCTS ASSOCIATED WITH THE GROUNDING SYSTEM SHALL BE UL-LISTED AND LABELED.
- ALL BOLTED OR MECHANICAL CONNECTIONS SHALL BE COATED WITH A CORROSION PREVENTATIVE COMPOUND BEFORE JOINING, SANCHEM INC. "NO-OX-ID "A-SPECIAL" COMPOUND, BURNDY PENETROX E, OR EQUAL.
- METALLIC SURFACES TO BE JOINED SHALL BE PREPARED BY THE REMOVAL OF ALL NON-CONDUCTIVE MATERIAL, PER 2014 NATIONAL ELECTRICAL CODE ARTICLE 250-12. ALL COPPER BUS BARS MUST BE CLEANED PRIOR TO MAKING CONNECTIONS TO REMOVE SURFACE OXIDATION.
- METALLIC RACEWAY FITTINGS SHALL BE MADE UP TIGHT TO PROVIDE A PERMANENT LOW IMPEDANCE PATH FOR ALL CIRCUITS. METAL CONDUIT TERMINATIONS IN ENCLOSURES SHALL BE BONDED TO THE ENCLOSURE WITH UL-LISTED FITTINGS SUITABLE FOR GROUNDING. PROVIDE GROUNDING BUSHINGS WITH BONDING JUMPERS FOR ALL METAL CONDUITS ENTERING SERVICE EQUIPMENT (METER BASE, CT CABINET, MAIN SERVICE BREAKER ENCLOSURE, ETC.). PROVIDE GROUNDING BUSHINGS WITH BONDING JUMPERS FOR ALL METAL CONDUITS ENTERING AN ENCLOSURE THROUGH CONCENTRIC OR ECCENTRIC KNOCKOUTS THAT ARE PUNCHED OR OTHERWISE FORMED SO AS TO IMPAIR THE ELECTRICAL CONNECTION TO GROUND. STANDARD LOCKNUTS OR BUSHINGS SHALL NOT BE THE SOLE MEANS FOR BONDING WHERE A CONDUIT ENTERS AN ENCLOSURE THROUGH A CONCENTRIC OR ECCENTRIC KNOCKOUT
- ALL CONNECTIONS, LOCATED ABOVE GRADE, BETWEEN THE DIFFERENT TYPES OF GROUNDING CONDUCTORS SHALL BE MADE USING UL-LISTED DOUBLE COMPRESSION CRIMP TYPE CONNECTORS OR UL-LISTED BOLTED GROUND CONNECTORS. FOR GROUND CONNECTIONS TO ENCLOSURES, CASES AND FRAMES OF ELECTRICAL EQUIPMENT NOT SUPPLIED WITH GROUND LUGS THE CONTRACTOR SHALL DRILL REQUIRED HOLES FOR MOUNTING A BOLTED GROUND CONNECTOR. ALL BOLTED GROUND CONNECTORS SHALL BE BURNDY, THOMAS AND BETTS, OR EQUAL. TIGHTEN CONNECTIONS TO COMPLY WITH TIGHTENING TORQUES IN UL STANDARD 486A TO ASSURE PERMANENT AND EFFECTIVE GROUNDING.
- ALL METAL EQUIPMENT ENCLOSURES, CONDUITS, CABINETS, BOXES, RECEPTACLES, MOTORS, ETC. SHALL BE BONDED TO THE RESPECTIVE GROUNDING SYSTEM.
- PROVIDE ALL BOXES FOR PROPOSED OUTLETS, SWITCHES, CIRCUIT BREAKERS, ETC. WITH GROUNDING SCREWS. PROVIDE ALL PANELBOARD, SWITCHGEAR, ETC., ENCLOSURES WITH GROUNDING BARS WITH INDIVIDUAL SCREWS, LUGS, CLAMPS, ETC., FOR EACH OF THE GROUNDING CONDUCTORS THAT ENTER THEIR RESPECTIVE ENCLOSURES.
- EACH NEW FEEDER CIRCUIT AND/OR BRANCH CIRCUIT SHALL INCLUDE AN EQUIPMENT GROUND WIRE. METAL RACEWAY OR CONDUIT SHALL NOT MEET THIS REQUIREMENT. THE EQUIPMENT GROUND WIRE FROM EQUIPMENT SHALL NOT BE SMALLER THAN ALLOWED BY 2014 NEC TABLE 250-122 "MINIMUM SIZE CONDUCTORS OR GROUNDING RACEWAY AND EQUIPMENT." WHEN CONDUCTORS ARE ADJUSTED IN SIZE TO COMPENSATE FOR VOLTAGE DROP, EQUIPMENT-GROUNDING CONDUCTORS SHALL BE ADJUSTED PROPORTIONATELY ACCORDING TO CIRCULAR MIL AREA. ALL EQUIPMENT GROUND WIRES SHALL BE COPPER, EITHER BARE OR INSULATED GREEN IN COLOR. WHERE THE EQUIPMENT GROUNDING CONDUCTORS ARE INSULATED, THEY SHALL BE IDENTIFIED BY THE COLOR GREEN, AND SHALL BE THE SAME INSULATION TYPE AS THE PHASE CONDUCTORS.
- ALL EXTERIOR METAL CONDUIT, WHERE NOT ELECTRICALLY CONTINUOUS BECAUSE OF MANHOLES, HANDHOLES, NON-METALLIC JUNCTION BOXES, ETC., SHALL BE BONDED TO ALL OTHER METAL CONDUIT IN THE RESPECTIVE DUCT RUN, AND AT EACH END, WITH A

COPPER-BONDING JUMPER SIZED IN CONFORMANCE WITH 2014 NEC 250-102. WHERE METAL CONDUITS TERMINATE IN AN ENCLOSURE (SUCH AS A MOTOR CONTROL CENTER, SWITCHBOARD, ETC) WHERE THERE IS NOT ELECTRICAL CONTINUITY WITH THE CONDUIT AND THE RESPECTIVE ENCLOSURE, PROVIDE A BONDING JUMPER FROM THE RESPECTIVE ENCLOSURE GROUND BUS TO THE CONDUIT SIZED PER 2014 NEC 250-102.

- IT IS THE INTENT OF THIS SPECIFICATION THAT ALL MOTOR FRAMES, PUMP BASES ELECTRICAL EQUIPMENT ENCLOSURES, PANEL HOUSINGS, CONDUITS, BOXES, ETC. HAVE A CONTINUOUS COPPER WIRE GROUND CONNECTION AND SHALL BE POSITIVELY BONDED TO THE RESPECTIVE GROUNDING SYSTEM. CONDUIT CONNECTORS WILL NOT BE CONSIDERED AS ADEQUATE GROUNDING.
- PROVIDE A POSITIVE GROUND BOND FOR ALL OUTLET BOXES, ELECTRICAL EQUIPMENT ENCLOSURES, GROUNDING RECEPTACLES, TOGGLE SWITCHES, ETC. INSTALL A GROUNDING CONDUCTOR IN ALL WIRE AND CABLE RACEWAYS. GROUND CONDUCTOR TO HAVE 600-VOLT INSULATION AND BE IDENTIFIED BY A CONTINUOUS GREEN COLOR COATING. THEY SHALL BE USED SOLELY FOR GROUNDING PURPOSES AND BE ENTIRELY SEPARATE FROM WHITE GROUNDED NEUTRAL CONDUCTOR, EXCEPT AT SUPPLY SIDE OF SERVICE DISCONNECTING MEANS, WHERE GROUNDING AND NEUTRAL SYSTEMS ARE TO BE CONNECTED TO SERVICE GROUND.
- EACH AND ALL GROUNDED CASED AND METAL PARTS ASSOCIATED WITH ELECTRICAL EQUIPMENT SHALL BE TESTED FOR CONTINUITY OF CONNECTION WITH GROUND BUS SYSTEM BY CONTRACTOR IN PRESENCE OF OWNER'S REPRESENTATIVE.
- ALL CONNECTIONS BETWEEN THE DIFFERENT TYPES OF GROUNDING CONDUCTORS ABOVE GRADE SHALL BE MADE USING BOLTED GROUND CONNECTORS. GROUND LUGS SHALL BE PROVIDED IN ALL ENCLOSURES AND WIRING TERMINATION JUNCTION BOXES. EQUIPMENT GROUNDS AND GROUNDING CONDUCTOR SHALL BE CONNECTED TO THESE GROUND LUGS. FOR GROUND CONNECTIONS TO ENCLOSURES, CASES AND FRAMES OF ELECTRICAL EQUIPMENT NOT SUPPLIED WITH GROUND LUGS THE CONTRACTOR SHALL DRILL REQUIRED HOLES FOR MOUNTING A BOLTED GROUND CONNECTOR. ALL BOLTED GROUND CONNECTORS SHALL BE BURNDY, OR APPROVED EQUAL.
- BOND ALL NONCURRENT-CARRYING PARTS OF METAL EQUIPMENT TO GROUND SYSTEM.
- BUILDING STRUCTURAL STEEL SYSTEM SHALL BE BONDED TO ELECTRICAL GROUND SYSTEM.
- INSTALL GROUNDING ELECTRODE CONDUCTORS, LIGHTNING PROTECTION DOWN CONDUCTORS AND SEPARATE GROUND CONDUCTORS IN SCHEDULE 40 OR SCHEDULE 80 PVC CONDUIT OR EXPOSED WHERE ACCEPTABLE TO LOCAL CODES. WHERE GROUNDING ELECTRODE CONDUCTORS, LIGHTNING PROTECTION DOWN CONDUCTORS OR INDIVIDUAL GROUND CONDUCTORS ARE RUN IN PVC CONDUIT, DO NOT COMPLETELY ENCIRCLE CONDUIT WITH FERROUS AND/OR MAGNETIC MATERIALS. USE NON-METALLIC REINFORCED FIBERGLASS STRUT SUPPORT. WHERE METAL CONDUIT CLAMPS ARE INSTALLED, USE NYLON BOLTS, NUTS, WASHERS AND SPACERS TO INTERRUPT A COMPLETE METALLIC PATH FROM ENCIRCLING THE CONDUIT. THIS IS REQUIRED TO AVOID GIRDLING OF GROUND CONDUCTORS. GIRDLING OF A GROUND CONDUCTOR IS THE RESULT OF PLACING THE CONDUCTOR IN A RING OF MAGNETIC MATERIAL. THIS RING COULD BE A METALLIC CONDUIT, U-BOLT OR STRUT SUPPORT PIPE CLAMP, OR OTHER SUPPORT HARDWARE. THE RESULT OF GIRDLING GROUND CONDUCTORS SIGNIFICANTLY INCREASES THE INDUCTIVE IMPEDANCE OF THE GROUND CONDUCTOR. INDUCTIVE AND CAPACITIVE IMPEDANCE IS A TYPE OF RESISTANCE THAT OPPOSES THE FLOW OF ALTERNATING CURRENT. ANY INCREASE IN THE IMPEDANCE OF A GROUND CONDUCTOR REDUCES ITS ABILITY TO EFFECTIVELY MITIGATE RADIO FREQUENCY NOISE IN THE GROUND SYSTEM. THE CONDITION WHERE A GROUND CONDUCTOR IS GIRDLED DURING A LIGHTNING STRIKE RESULTS IN PHENOMENA KNOWN AS SURGE IMPEDANCE LOADING. SURGE IMPEDANCE LOADING IS A RESULT OF VOLTAGE AND CURRENT REACHING 500,000 VOLTS AND 10,000 AMPS FOR A SHORT DURATION. GIRDLING FURTHER INCREASES THE IMPEDANCE AT LIGHTNING FREQUENCIES OF 100 KILOHERTZ TO 100 MEGAHERTZ. AT THESE POWER AND FREQUENCY LEVELS ANY INCREASE IN THE IMPEDANCE OF THE GROUND CONDUCTOR MUST BE CONTROLLED. DURING LIGHTNING DISCHARGE CONDITIONS A LOW INDUCTIVE IMPEDANCE PATH IS MORE IMPORTANT THAN A LOW DC RESISTANCE PATH.
- IF LOCAL CODES DICTATE THAT INDIVIDUAL GROUNDING CONDUCTORS MUST BE RUN IN METAL CONDUIT OR RACEWAY, THEN THE CONDUIT OR RACEWAY MUST BE BONDED AT EACH END OF THE RUN WITH A BONDING JUMPER SIZED EQUAL TO THE INDIVIDUAL GROUNDING CONDUCTOR OR AS REQUIRED BY 2014 NEC 250-102. NOTE THIS DOES NOT APPLY TO AC EQUIPMENT GROUNDING CONDUCTORS RUN WITH AC CIRCUITS.
- WHERE A CONFLICT IS DETERMINED WITH RESPECT TO GROUNDING REQUIREMENTS PER MANUFACTURER INSTALLATION INSTRUCTIONS, NEC, AND/OR THE CONTRACT DOCUMENTS, CONTACT THE RESIDENT ENGINEER OR PROJECT ENGINEER FOR FURTHER DIRECTIONS.
- GROUND RODS SHALL BE MANUFACTURED IN THE UNITED STATES OF AMERICA FROM DOMESTIC STEEL TO COMPLY WITH APPLICABLE BUY AMERICAN REQUIREMENTS AND STATE REQUIREMENTS.



10 FT. GROUND ROD

NOTES

- TYPE AND MINIMUM NUMBER OF GROUND RODS SHALL BE AS SPECIFIED ON THE PLAN.
- THE RESISTANCE TO GROUND OF THE GROUNDING SYSTEM SHALL NOT EXCEED 25 OHMS.
- COST OF GROUND RODS IS INCIDENTAL TO THE ASSOCIATED ITEMS REQUIRING GROUNDING UNLESS OTHERWISE SPECIFIED.
- GROUND RODS SHALL BE SPACED AS DETAILED ON THE PLANS AND SHALL NOT BE SPACED LESS THAN ONE ROD LENGTH APART.
- TOP OF GROUND RODS SHALL BE 40" MINIMUM BELOW GRADE UNLESS DETAILED OTHERWISE HEREIN. GROUND RING AND/OR GROUND FIELD CONDUCTORS SHALL BE 50" MINIMUM BELOW GRADE TO BE BELOW FROST LINE (FOR KNOX COUNTY, ILLINOIS).

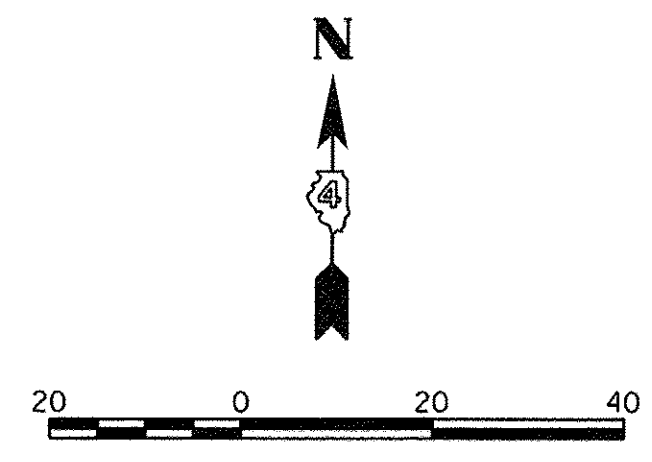
GROUND RODS
(NOT TO SCALE)

LAYOUT	KNL
DRAWN	SIP
REVIEWED	RDN/KNL

FILE NAME =	USER NAME =	DESIGNED -	REVISED -
c:\pwise_work\do_not_delete\8273649\49\9L0105-sh-t-E-002.dgn	andrew@08946	KNL	
		DRAWN -	REVISED -
		SIP	
		CHECKED -	REVISED -
		RDN/KNL	
		DATE -	REVISED -
		9/9/2015	

F.A.U. RTE.	SECTION	COUNTY	TOTAL SHEETS	SHEET NO.
6800	05-00500-19-GS	KNOX	221	70
50VB		CONTRACT NO.89417		
FED. ROAD DIST. NO.	ILLINOIS FED. AID PROJECT			

S.W. 1/4 OF SECTION 11, T.11N., R.1E. OF THE 4TH P.M.



**PRELIMINARY
NOT FOR CONSTRUCTION**

LEGEND

- EXISTING RIGHT-OF-WAY
- - - PROPOSED RIGHT-OF-WAY
- ||||| TEMPORARY EASEMENT
- ////// PERMANENT EASEMENT

© Copyright Hanson Professional Services Inc. 2015
HANSON
 Hanson Professional Services Inc.

ORIGINAL CITY OF GALESBURG
DOC. #1023922

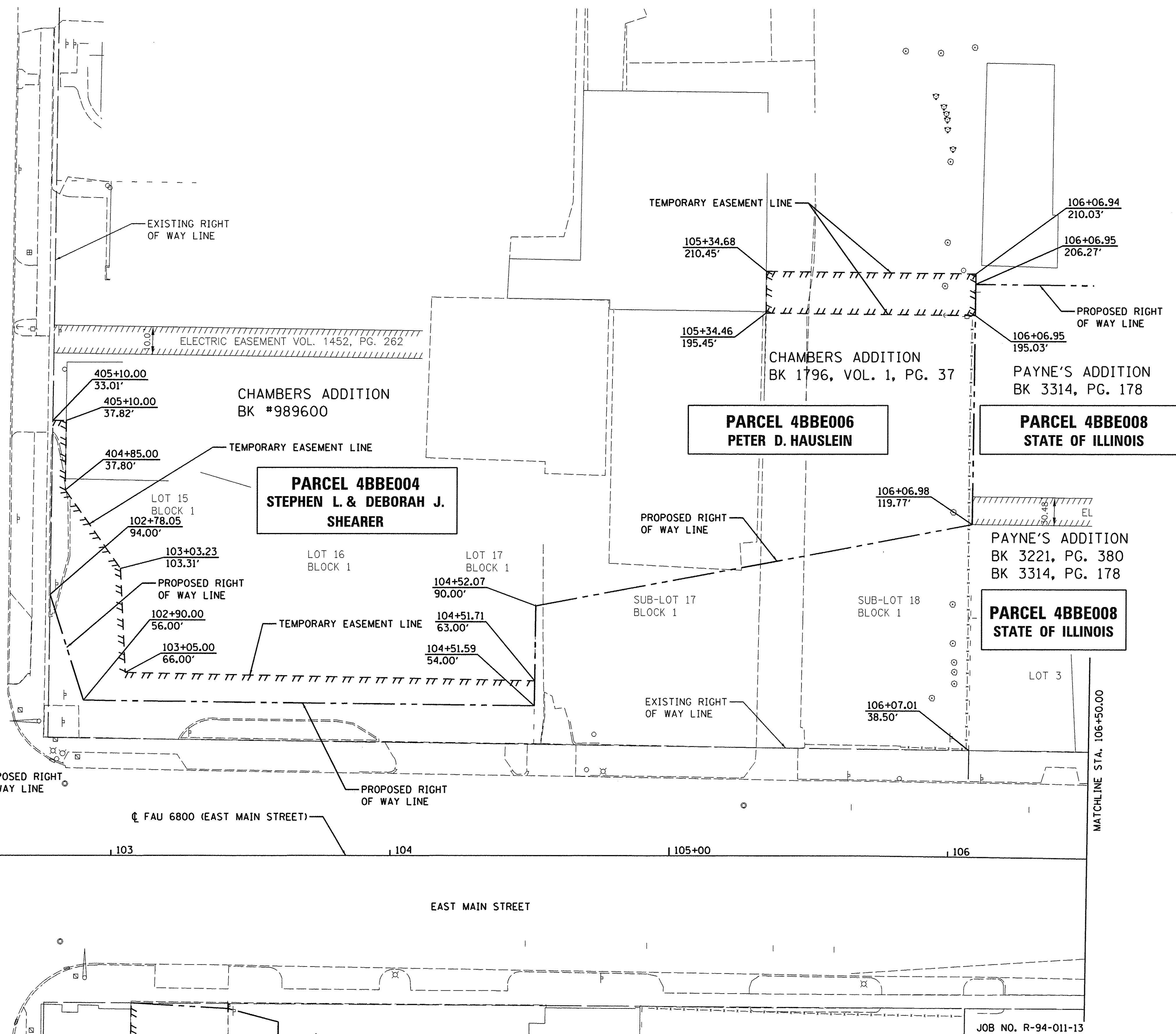
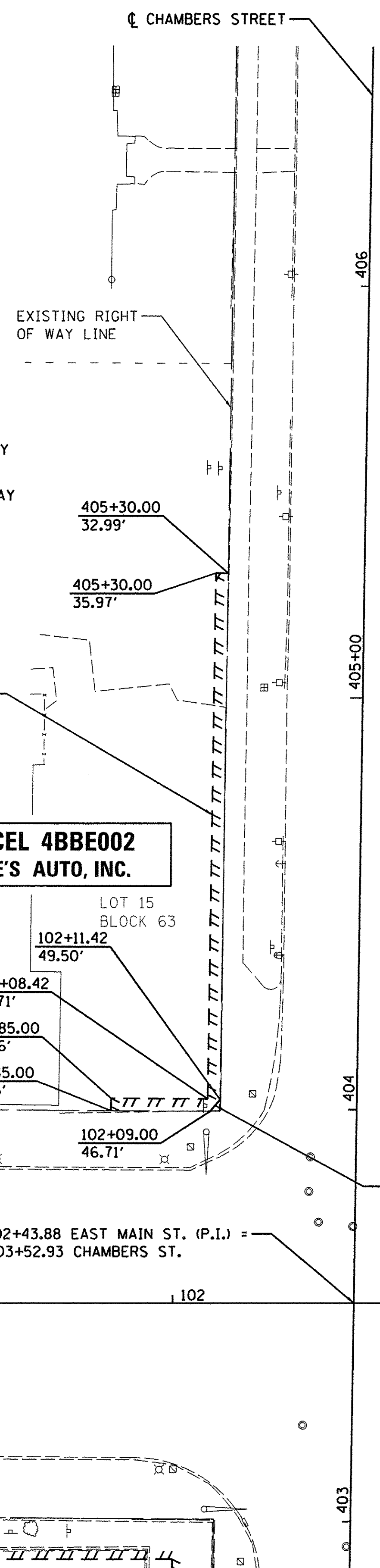
**PARCEL 4BBE002
BIG E'S AUTO, INC.**

**PARCEL 4BBE004
STEPHEN L. & DEBORAH J.
SHEARER**

**PARCEL 4BBE006
PETER D. HAUSLEIN**

**PARCEL 4BBE008
STATE OF ILLINOIS**

**PARCEL 4BBE008
STATE OF ILLINOIS**



STA. 102+43.88 EAST MAIN ST. (P.I.) =
STA. 403+52.93 CHAMBERS ST.

FAU 6800 (EAST MAIN STREET)

EAST MAIN STREET

JOB NO. R-94-011-13

LAYOUT	2/11/14
DRAWN	5/27/15
REVIEWED	5/28/15

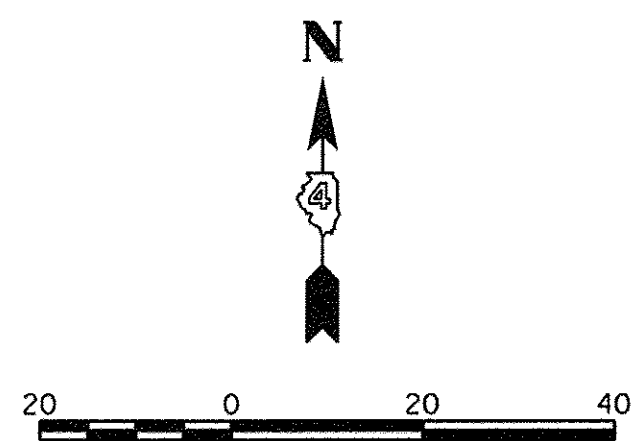
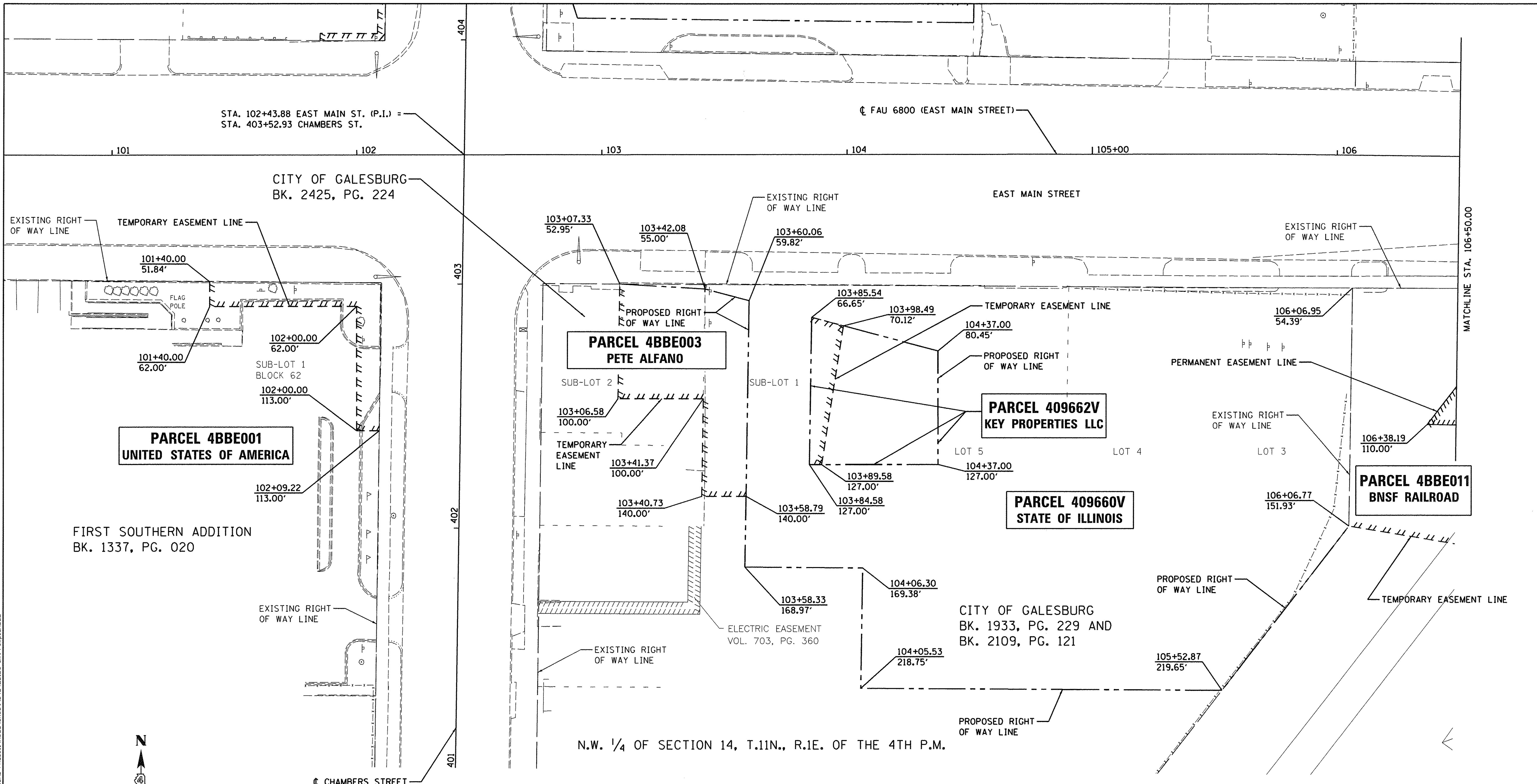
FILE NAME =	USER NAME = onder00846	DESIGNED - RLA	REVISED -
PROJECT WORK\do_not_delete\0273754\049\0105-shr-rwplan001.dgn		DRAWN - MGD	REVISED -
PLOT SCALE = 20.0000' / 1"		CHECKED - MPB	REVISED -
PLOT DATE = 9/8/2015		DATE - 9/9/2015	REVISED -

**STATE OF ILLINOIS
DEPARTMENT OF TRANSPORTATION**

**EAST MAIN STREET AND CHAMBERS STREET
R.O.W. PLAN**

SCALE: 1"=20' SHEET NO. OF SHEETS STA. 101+45.00 TO STA. 106+50.00

F.A.U. RTE.	SECTION	COUNTY	TOTAL SHEETS	SHEET NO.
6800	05-00500-19-GS	KNOX	221	71
50VB		CONTRACT NO. 89417		
FED. ROAD DIST. NO.		ILLINOIS FED. AID PROJECT		



PRELIMINARY
 NOT FOR CONSTRUCTION

LEGEND

- — — — — EXISTING RIGHT-OF-WAY
- - - - - PROPOSED RIGHT-OF-WAY
- ||||| TEMPORARY EASEMENT
- ////// PERMANENT EASEMENT

LAYOUT	RLA	2/11/14
DRAWN	MGD	5/27/15
REVIEWED	MPB	5/28/15

FILE NAME =	USER NAME = anderson00846	DESIGNED - RLA	REVISED -
c:\pwise_work\do_not_delete\0273754\049\0105-sht-rwp-plan02.dgn		DRAWN - MGD	REVISED -
		CHECKED - MPB	REVISED -
		DATE - 9/9/2015	REVISED -

STATE OF ILLINOIS
DEPARTMENT OF TRANSPORTATION

EAST MAIN STREET
R.O.W. PLAN

SCALE: 1"=20' SHEET NO. OF SHEETS STA. 101+45.00 TO STA. 106+50.00

JOB NO. R-94-011-13			
F.A.U. RTE.	SECTION	COUNTY	TOTAL SHEETS
6800	05-00500-19-GS	KNOX	221
	50VB	CONTRACT NO.	89417
FED. ROAD DIST. NO.	ILLINOIS	FED. AID PROJECT	

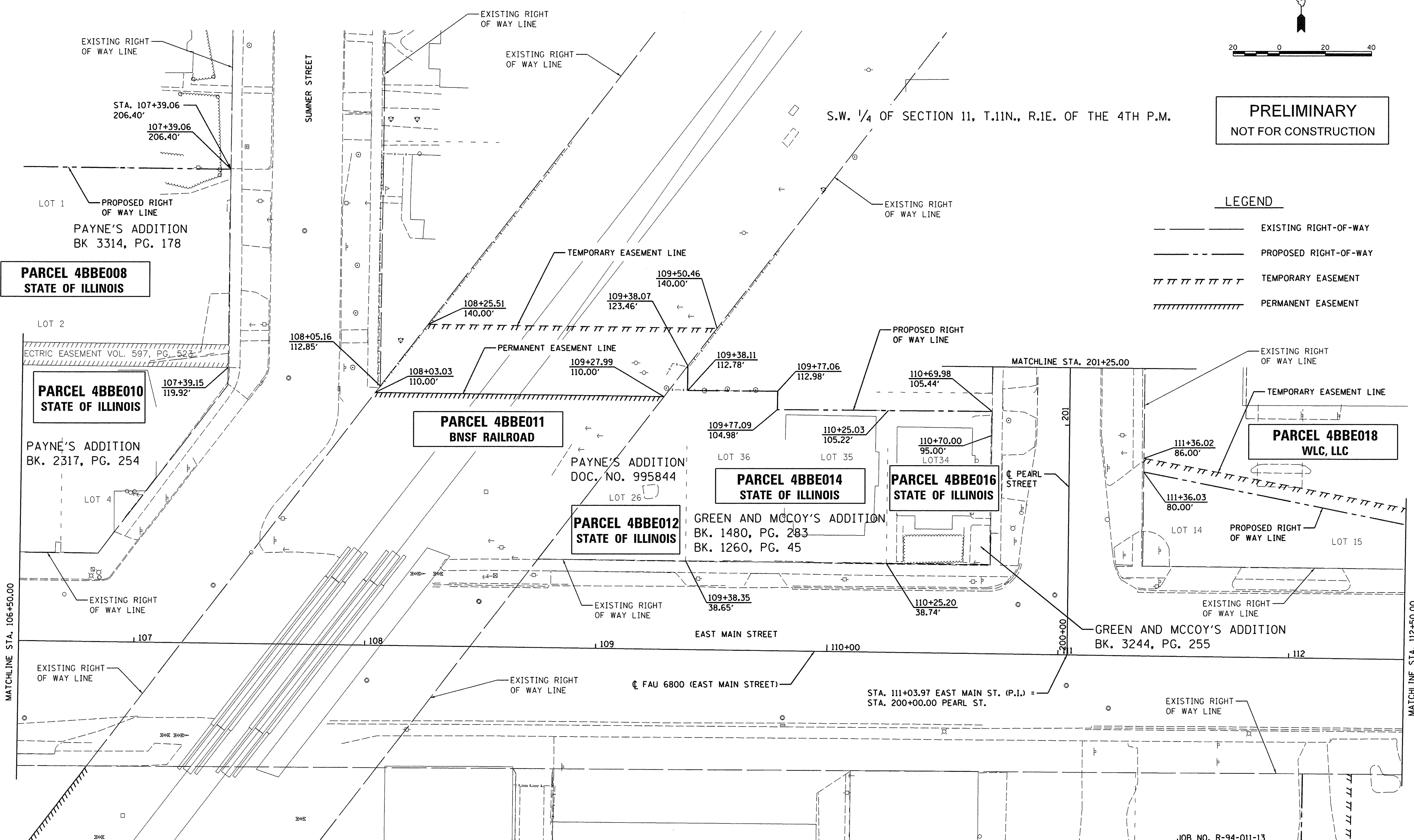


PRELIMINARY
NOT FOR CONSTRUCTION

LEGEND

- EXISTING RIGHT-OF-WAY
- - - - - PROPOSED RIGHT-OF-WAY
- ||||| TEMPORARY EASEMENT
- ||||| PERMANENT EASEMENT

S.W. 1/4 OF SECTION 11, T.11N., R.1E. OF THE 4TH P.M.



PARCEL 4BBE008
STATE OF ILLINOIS

PARCEL 4BBE010
STATE OF ILLINOIS

PARCEL 4BBE011
BNSF RAILROAD

PARCEL 4BBE014
STATE OF ILLINOIS

PARCEL 4BBE016
STATE OF ILLINOIS

PARCEL 4BBE012
STATE OF ILLINOIS

PARCEL 4BBE018
WLC, LLC

© Copyright Hanson Professional Services Inc. 2015
HANSON
Hanson Professional Services Inc.

FILE NAME = c:\pwise_work\do_not_delete\0273754\049\10105-sht-rowplan03.dgn
USER NAME = andr00846
DESIGNED - RLA
DRAWN - MGD
CHECKED - MPB
DATE - 9/9/2015
PLOT SCALE = 20.0000' / 1" IN.
PLOT DATE = 9/8/2015

STATE OF ILLINOIS
DEPARTMENT OF TRANSPORTATION

EAST MAIN STREET
R.O.W. PLAN

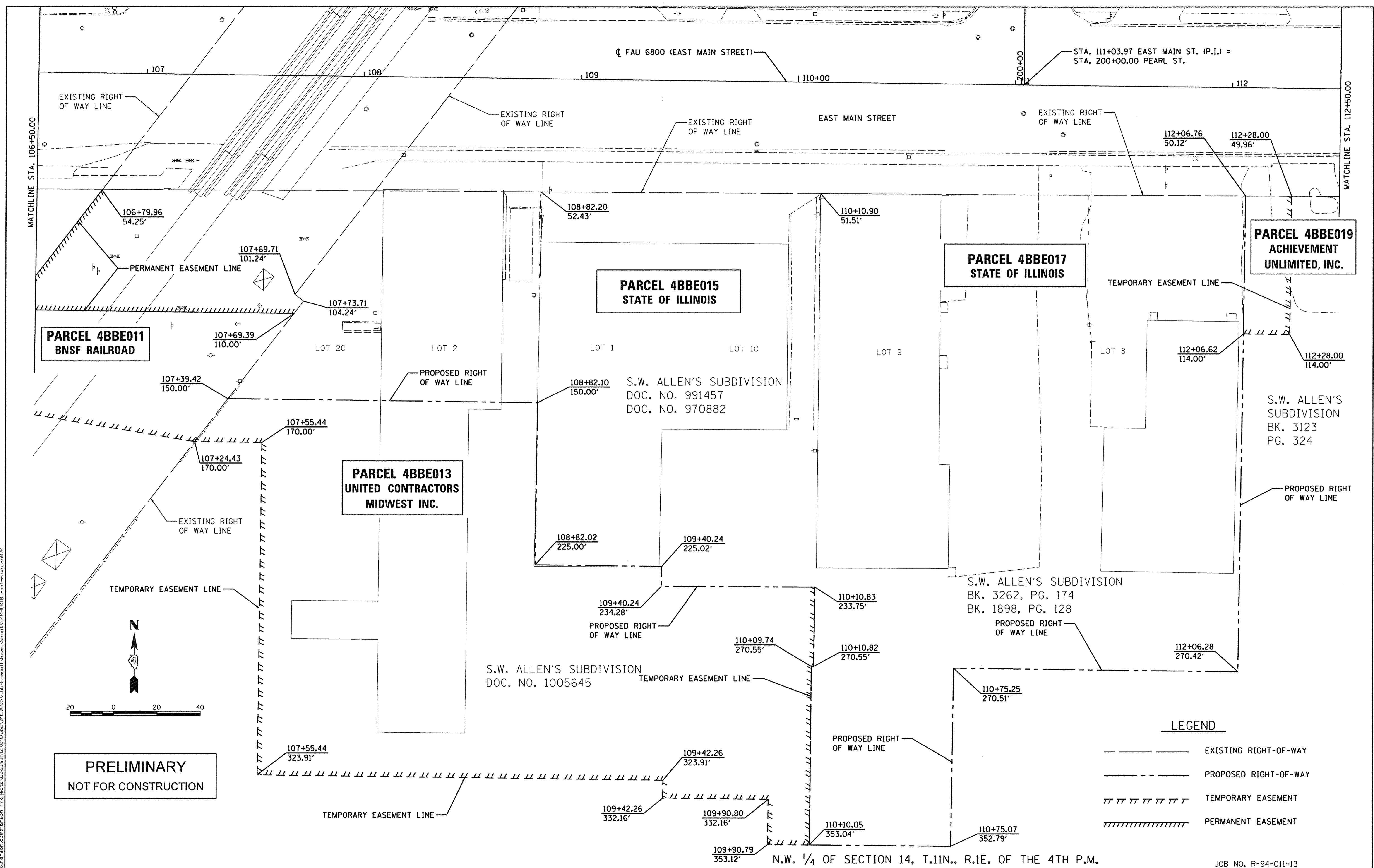
SCALE: 1"=20'
SHEET NO. OF SHEETS STA. 106+50.00 TO STA. 112+50.00

F.A.U. RTE.	SECTION	COUNTY	TOTAL SHEETS	SHEET NO.
6800	05-00500-19-GS	KNOX	221	73
50VB		CONTRACT NO.89417		
FED. ROAD DIST. NO.		ILLINOIS FED. AID PROJECT		

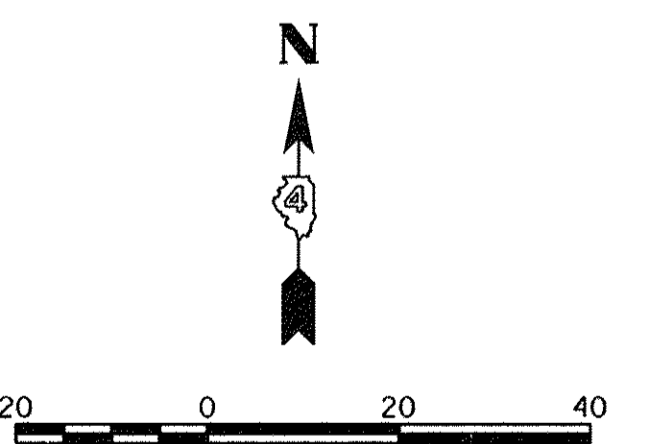
JOB NO. R-94-011-13

c:\pwise\work\do_not_delete\0273754\04\9L0105-sht-rowplan004.dgn
 c:\pwise\work\do_not_delete\0273754\04\9L0105-sht-rowplan004.dgn
 c:\pwise\work\do_not_delete\0273754\04\9L0105-sht-rowplan004.dgn

LAYOUT	RLA	2/11/14
DRAWN	MPB	5/27/15
REVIEWED	MPB	5/28/15



PRELIMINARY
 NOT FOR CONSTRUCTION



LEGEND

—————	EXISTING RIGHT-OF-WAY
- - - - -	PROPOSED RIGHT-OF-WAY
- - - - -	TEMPORARY EASEMENT
	PERMANENT EASEMENT

FILE NAME =	USER NAME = ender00846	DESIGNED - RLA	REVISED -
c:\pwise\work\do_not_delete\0273754\04\9L0105-sht-rowplan004.dgn	9L0105-sht-rowplan004.dgn	DRAWN - MGD	REVISED -
	PLOT SCALE = 20,0000' / in.	CHECKED - MPB	REVISED -
	PLOT DATE = 9/8/2015	DATE - 9/9/2015	REVISED -

STATE OF ILLINOIS
DEPARTMENT OF TRANSPORTATION

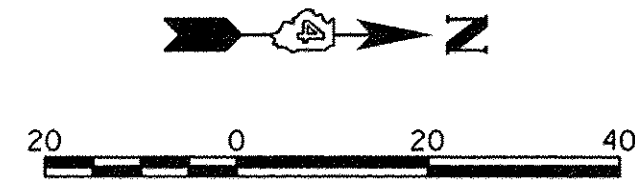
EAST MAIN STREET
R.O.W. PLAN

SCALE: 1"=20'
 SHEET NO. OF SHEETS STA. 106+50.00 TO STA. 112+50.00

F.A.U. RTE.	SECTION	COUNTY	TOTAL SHEETS	SHEET NO.
6800	05-00500-19-GS	KNOX	221	74
50VB		CONTRACT NO.89417		
FED. ROAD DIST. NO.		ILLINOIS FED. AID PROJECT		

JOB NO. R-94-011-13

N.W. 1/4 OF SECTION 14, T.11N., R.1E. OF THE 4TH P.M.



PRELIMINARY
 NOT FOR CONSTRUCTION

LEGEND

- EXISTING RIGHT-OF-WAY
- - - PROPOSED RIGHT-OF-WAY
- ||||| TEMPORARY EASEMENT
- /////// PERMANENT EASEMENT

N.W. 1/4 OF SECTION 14, T.11N., R.1E. OF THE 4TH P.M.

S.W. ALLEN'S
 SUBDIVISION
 BK. 3123
 PG. 324

STA. 113+38.55 EAST MAIN ST. =
 STA. 504+18.84 ALLENS AVE. (P.I.)

PARCEL 4BBE019
 ACHIEVEMENT UNLIMITED, INC.

GREEN AND MCCOY'S ADDITION
 BK. 3584, PG. 359

PARCEL 4BBE018
 WLC, LLC

PARCEL 4BBE021
 STATE OF ILLINOIS

GREEN AND MCCOY'S
 ADDITION DOC. NO.
 977035

S.W. 1/4 OF SECTION 11, T.11N., R.1E. OF THE 4TH P.M.

B.F. ARNOLD'S SUBDIVISION
 BK. 1127, PG. 190

PARCEL 4BBE020
 TERRY L. JOHNSON

PROP. CURVE ALL-001
 P.I. STA. = 502+35.54
 $\Delta = 90^\circ 00' 00''$ (RT)
 D = 60' 18" 41"
 R = 95.00'
 T = 95.00'
 L = 149.23'
 E = 39.35'
 P.C. STA = 501+40.54
 P.T. STA = 502+89.76

LAYOUT	RLA	2/11/14
DRAWN	MGD	5/27/15
REVIEWED	MPB	5/28/15

FILE NAME =	USER NAME =	DESIGNED -	REVISED -
c:\pwise\work\do_not_delete\0273754\04	ender@00846	RLA	
	9L0105-shr-rowplan005.dgn	DRAWN -	REVISED -
		MGD	
	PLOT SCALE = 20,0000 ' / in.	CHECKED -	REVISED -
		MPB	
	PLOT DATE = 9/8/2015	DATE -	REVISED -
		9/9/2015	

STATE OF ILLINOIS
DEPARTMENT OF TRANSPORTATION

ALLENS AVENUE
R.O.W. PLAN

SCALE: 1"=20' SHEET NO. OF SHEETS STA. 500+00.00 TO STA. 503+59.40

JOB NO. R-94-011-13

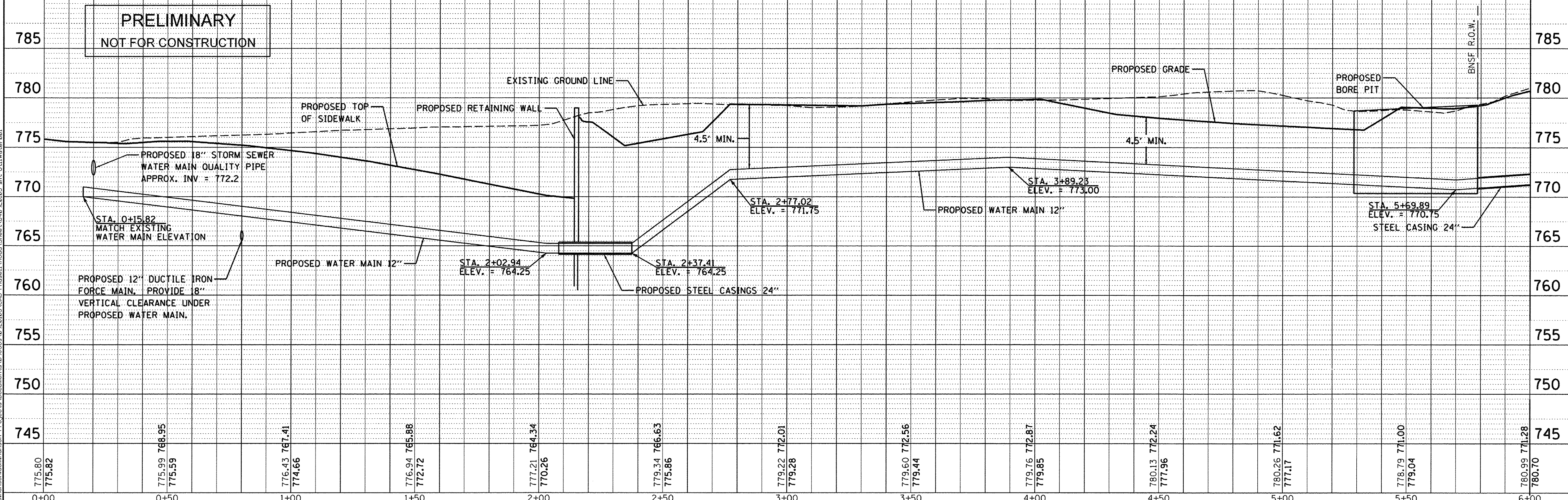
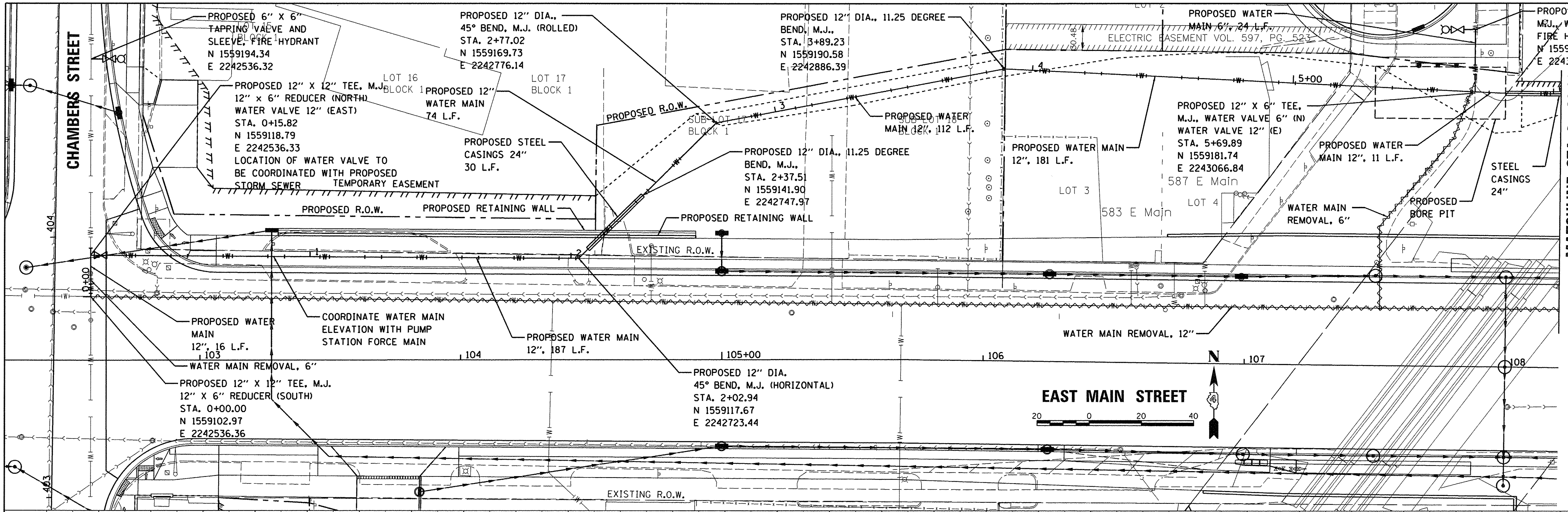
F.A.U. RTE.	SECTION	COUNTY	TOTAL SHEETS	SHEET NO.
6800	05-00500-19-GS	KNOX	221	75
50VB		CONTRACT NO.89417		
FED. ROAD DIST. NO.		ILLINOIS FED. AID PROJECT		

DATE	
BY	
PLANNING	
DESIGN	
CHECKED	
DATE	
BY	
NO.	

© Copyright Hanson Professional Services Inc. 2016
HANSON
 Hanson Professional Services Inc.

DATE	
BY	
PROFILE	
DESIGNED	
CHECKED	
DATE	
BY	
NO.	

DATE	2/11/14
BY	MPB
NO.	5/28/15



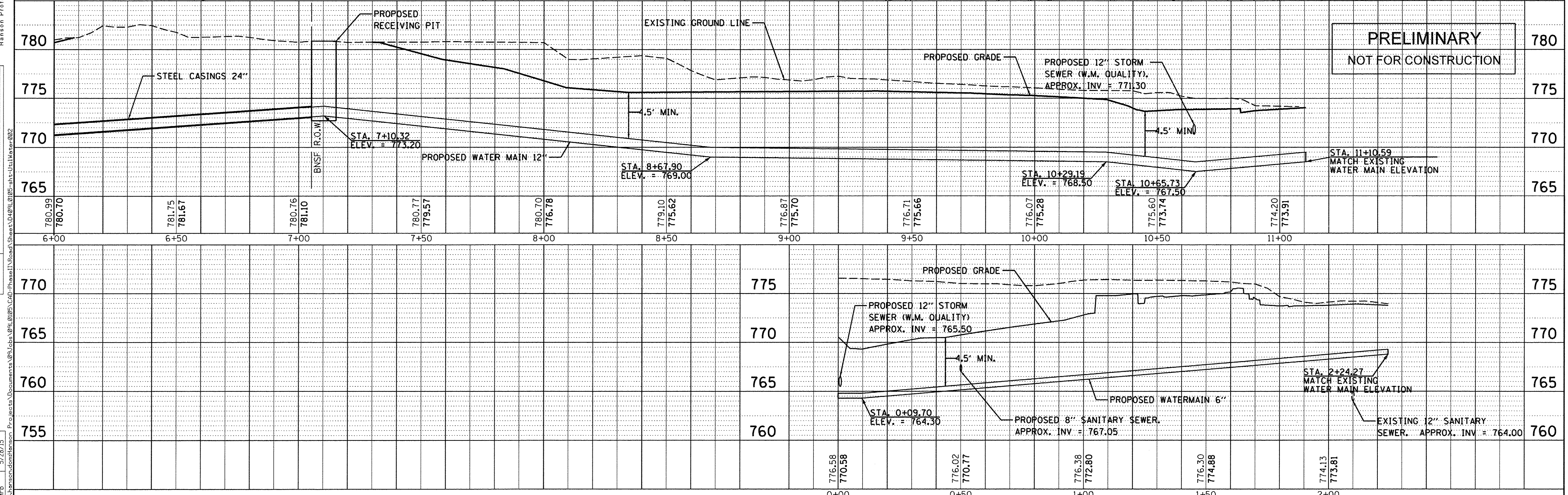
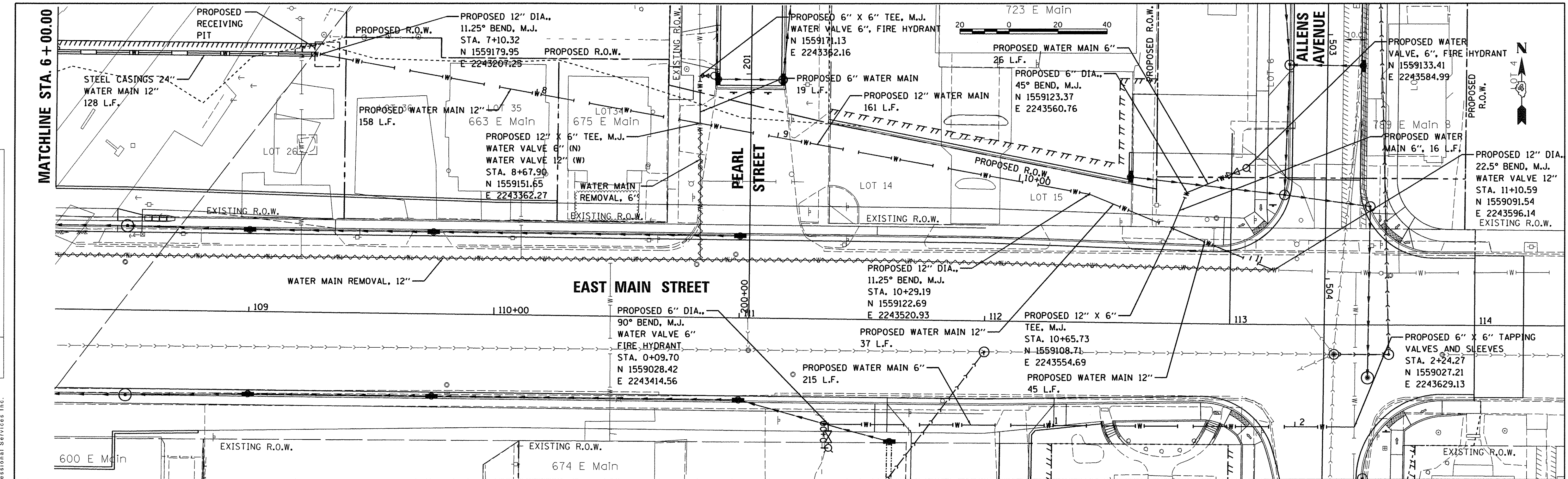
FILE NAME =	USER NAME = andr00846	DESIGNED - RLA	REVISED -	STATE OF ILLINOIS DEPARTMENT OF TRANSPORTATION				EAST MAIN STREET PROPOSED WATERMAIN PLANS				F.A.U. RTE.	SECTION	COUNTY	TOTAL SHEETS	SHEET NO.		
ct:\pwork\do_not_delete\0273754\0409	0105-sh-UtilWater-001.dgn	DRAWN - MGD	REVISED -									6800	05-00500-19-GS	KNOX	221	76		
PLOT SCALE = 20.0000' / 1"	CHECKED - MPB	REVISED -	SCALE: 1"=20'									SHEET NO.	OF	SHEETS	STA.	TO	STA.	ILLINOIS FED. AID PROJECT
PLOT DATE = 9/9/2015	DATE - 9/9/2015	REVISED -																

PLAN	DATE
SURVEYED	BY
ALIGNED	
CHECKED	
RTY. OF WAY CHECKED	
NO. OF WAY CHECKED	
NO.	
NO.	

© Copyright Hanson Professional Services Inc. 2015
HANSON
 Hanson Professional Services Inc.

PROFILE	DATE
SURVEYED	BY
PLOTTED	
CHECKED	
NO. OF WAY CHECKED	
NO.	
NO.	

LAYOUT	RLA	2/11/14
DRAWN	MGD	5/27/15
REVIEWED	MPB	5/28/15



FILE NAME =	USER NAME = ande0846	DESIGNED - RLA	REVISED -	STATE OF ILLINOIS DEPARTMENT OF TRANSPORTATION	EAST MAIN STREET PROPOSED WATERMAIN PLANS				F.A.U. RTE. 6800	SECTION 05-00500-19-G5	COUNTY KNOX	TOTAL SHEETS 221	SHEET NO. 77
cr:\pwise_work\do_not_delete\027354\02.dgn	0105-sht-UtlWater002.dgn	DRAWN - MGD	REVISED -		SCALE: 1"=20'	SHEET NO.	OF SHEETS	STA.	TO STA.	CONTRACT NO.89417			
PLOT SCALE = 20.0000' / in.		CHECKED - MPB	REVISED -							ILLINOIS FED. AID PROJECT			
PLOT DATE = 9/8/2015		DATE - 9/9/2015	REVISED -										

PRELIMINARY
NOT FOR CONSTRUCTION

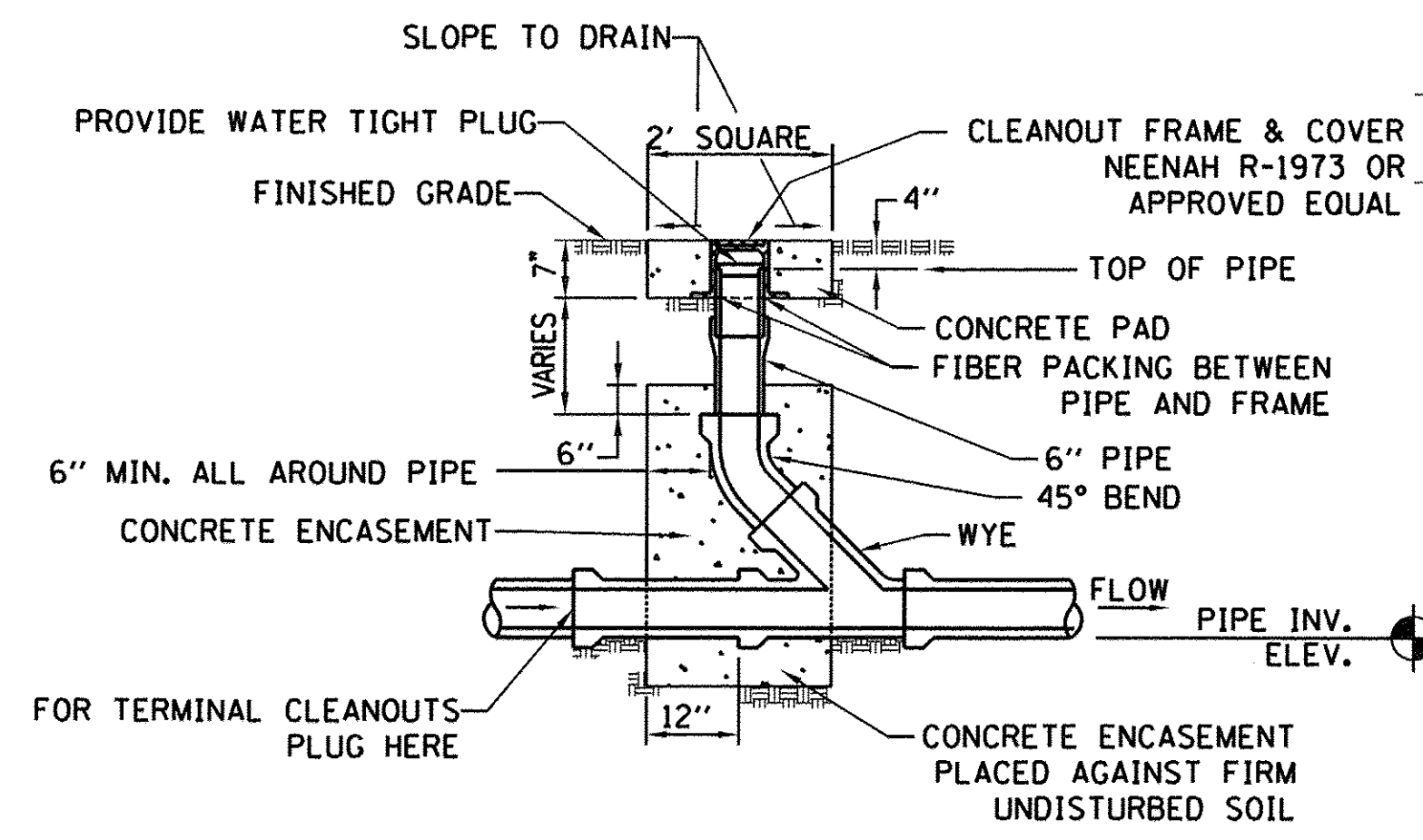
DATE	
BY	
REVIEWED	
PLANNED	
NOTED	
NO.	



DATE	
BY	
REVIEWED	
PLANNED	
NOTED	
NO.	

DATE	2/11/14
BY	RLA
REVIEWED	MCD
PLANNED	MPB
NOTED	
NO.	

FILE NAME = c:\pwise_work\do_not_delete\d0273754\0409\0105-shr-sanitary001.dgn
 USER NAME = ender00846
 DESIGNED - RLA
 DRAWN - MCD
 CHECKED - MPB
 DATE - 9/9/2015
 REVISIONS:
 REVISION NO. DATE BY DESCRIPTION
 1 9/9/2015 MCD
 2 9/9/2015 MPB
 3 9/9/2015 MCD
 4 9/9/2015 MCD
 5 9/9/2015 MCD
 6 9/9/2015 MCD
 7 9/9/2015 MCD
 8 9/9/2015 MCD
 9 9/9/2015 MCD
 10 9/9/2015 MCD
 11 9/9/2015 MCD
 12 9/9/2015 MCD
 13 9/9/2015 MCD
 14 9/9/2015 MCD
 15 9/9/2015 MCD
 16 9/9/2015 MCD
 17 9/9/2015 MCD
 18 9/9/2015 MCD
 19 9/9/2015 MCD
 20 9/9/2015 MCD
 21 9/9/2015 MCD
 22 9/9/2015 MCD
 23 9/9/2015 MCD
 24 9/9/2015 MCD
 25 9/9/2015 MCD
 26 9/9/2015 MCD
 27 9/9/2015 MCD
 28 9/9/2015 MCD
 29 9/9/2015 MCD
 30 9/9/2015 MCD
 31 9/9/2015 MCD
 32 9/9/2015 MCD
 33 9/9/2015 MCD
 34 9/9/2015 MCD
 35 9/9/2015 MCD
 36 9/9/2015 MCD
 37 9/9/2015 MCD
 38 9/9/2015 MCD
 39 9/9/2015 MCD
 40 9/9/2015 MCD
 41 9/9/2015 MCD
 42 9/9/2015 MCD
 43 9/9/2015 MCD
 44 9/9/2015 MCD
 45 9/9/2015 MCD
 46 9/9/2015 MCD
 47 9/9/2015 MCD
 48 9/9/2015 MCD
 49 9/9/2015 MCD
 50 9/9/2015 MCD
 51 9/9/2015 MCD
 52 9/9/2015 MCD
 53 9/9/2015 MCD
 54 9/9/2015 MCD
 55 9/9/2015 MCD
 56 9/9/2015 MCD
 57 9/9/2015 MCD
 58 9/9/2015 MCD
 59 9/9/2015 MCD
 60 9/9/2015 MCD
 61 9/9/2015 MCD
 62 9/9/2015 MCD
 63 9/9/2015 MCD
 64 9/9/2015 MCD
 65 9/9/2015 MCD
 66 9/9/2015 MCD
 67 9/9/2015 MCD
 68 9/9/2015 MCD
 69 9/9/2015 MCD
 70 9/9/2015 MCD
 71 9/9/2015 MCD
 72 9/9/2015 MCD
 73 9/9/2015 MCD
 74 9/9/2015 MCD
 75 9/9/2015 MCD
 76 9/9/2015 MCD
 77 9/9/2015 MCD
 78 9/9/2015 MCD
 79 9/9/2015 MCD
 80 9/9/2015 MCD
 81 9/9/2015 MCD
 82 9/9/2015 MCD
 83 9/9/2015 MCD
 84 9/9/2015 MCD
 85 9/9/2015 MCD
 86 9/9/2015 MCD
 87 9/9/2015 MCD
 88 9/9/2015 MCD
 89 9/9/2015 MCD
 90 9/9/2015 MCD
 91 9/9/2015 MCD
 92 9/9/2015 MCD
 93 9/9/2015 MCD
 94 9/9/2015 MCD
 95 9/9/2015 MCD
 96 9/9/2015 MCD
 97 9/9/2015 MCD
 98 9/9/2015 MCD
 99 9/9/2015 MCD
 100 9/9/2015 MCD



SANITARY SEWER SERVICE CLEANOUT
SCALE: NONE

NOTE: THE STANDARD SPECIFICATIONS FOR WATER AND SEWER MAIN CONSTRUCTION IN ILLINOIS (CURRENT EDITION) SHALL GOVERN THE SANITARY SEWER CONSTRUCTION.

NOTE: THE CONTRACTOR SHALL PROVIDE THE REQUIRED SEPARATION BETWEEN WATER MAINS AND SEWERS IN ACCORDANCE WITH SECTION 41-2.01A OF THE STANDARD SPECIFICATIONS FOR WATER AND SEWER MAIN CONSTRUCTION IN ILLINOIS (CURRENT EDITION).

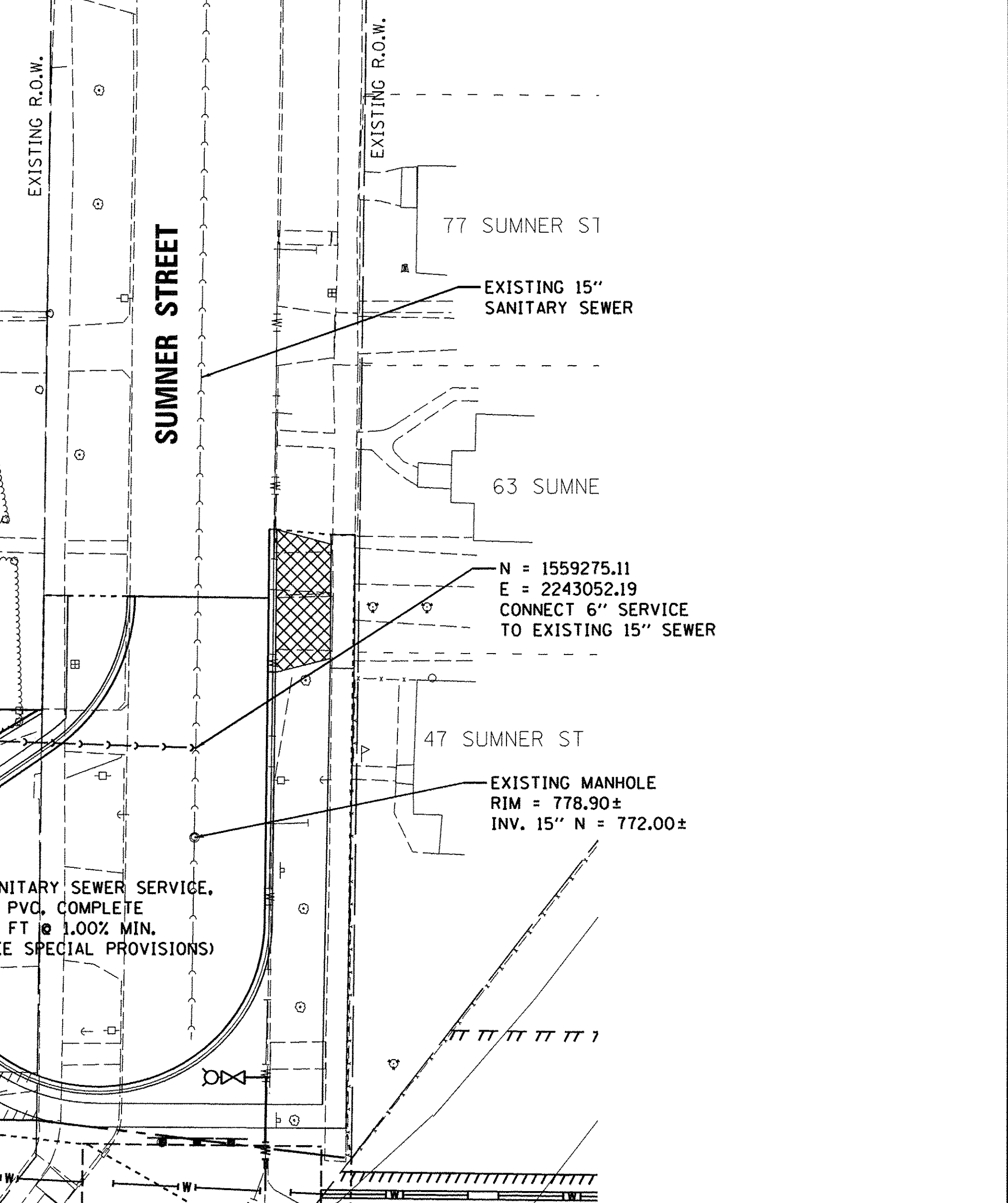
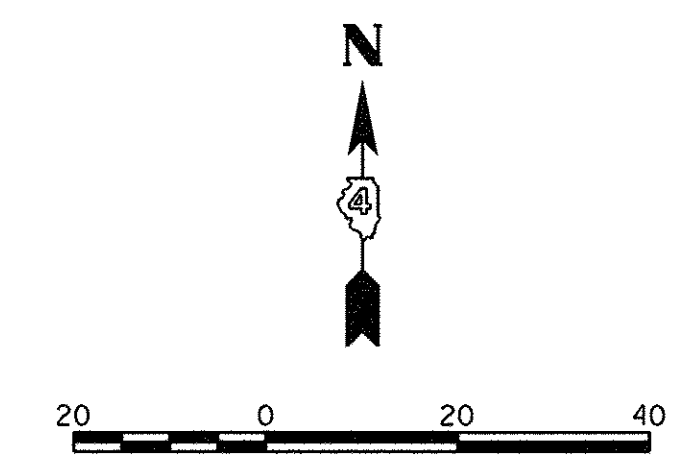
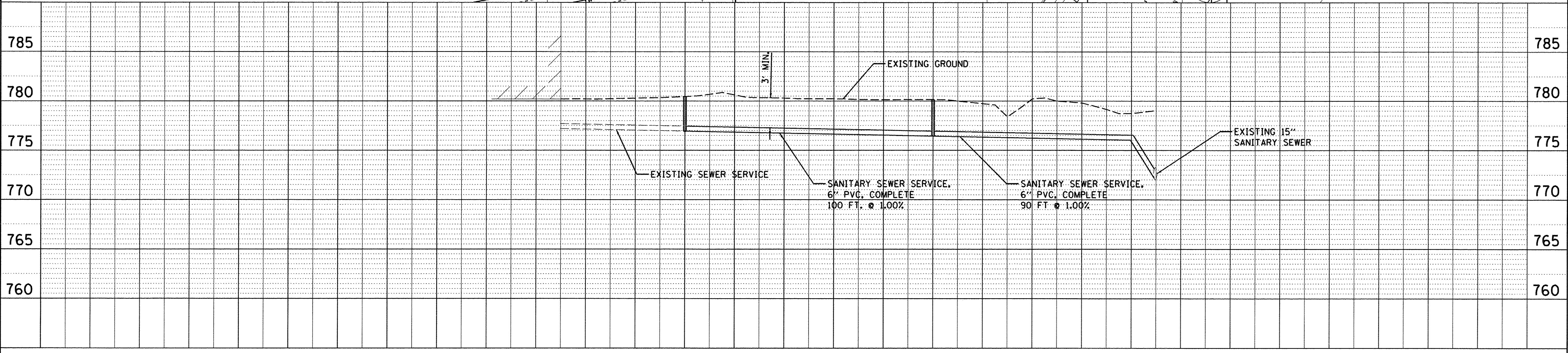
SERVICE PIPE DEPTH = 2.5' PER GALESBURG SANITARY DISTRICT RECORDS

PROPOSED SANITARY SEWER SERVICE CLEANOUT (SEE DETAIL THIS SHEET)
N = 1559281.12
E = 2242862.62

SANITARY SEWER SERVICE, 6" PVC, COMPLETE 100 FT. @ 1.00% MIN. (SEE SPECIAL PROVISIONS)

SANITARY SEWER SERVICE, 6" PVC, COMPLETE 90 FT. @ 1.00% MIN. (SEE SPECIAL PROVISIONS)

EXISTING SERVICE (TO BE ABANDONED FROM THE PROPOSED CLEANOUT TO THE SOUTH)



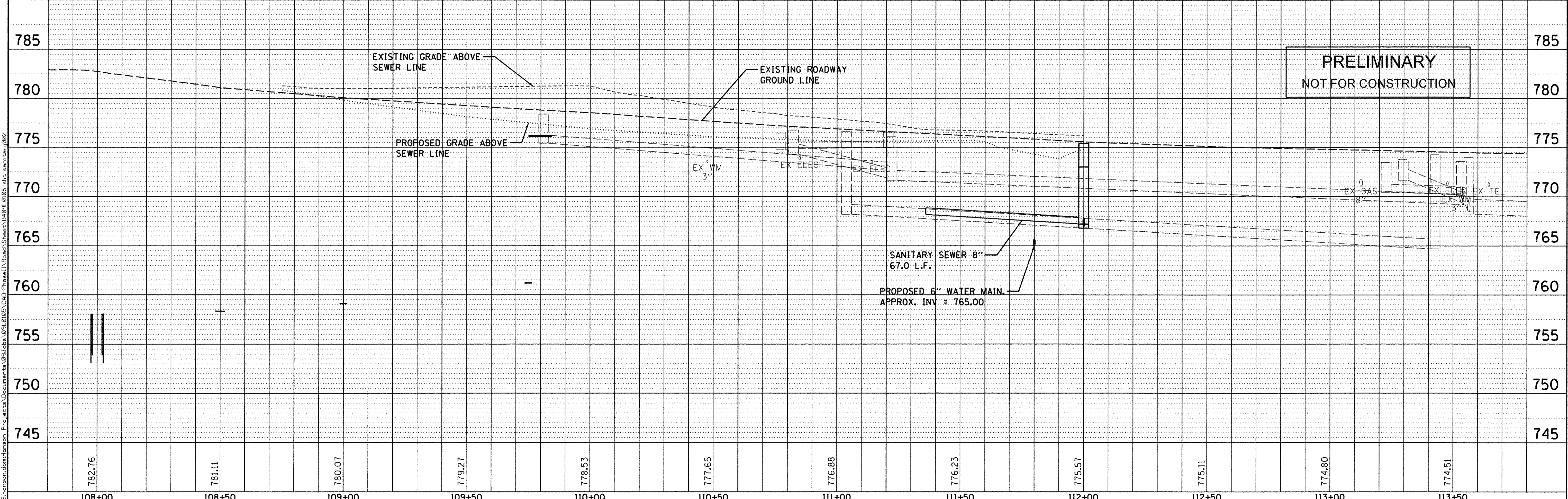
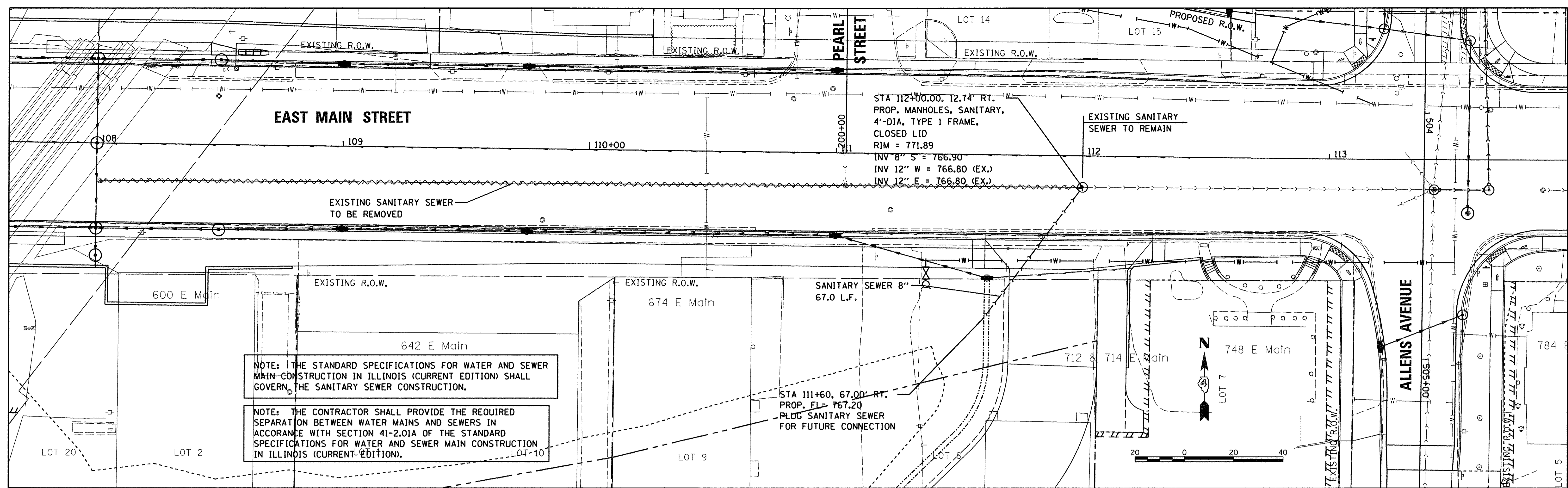
FILE NAME =	USER NAME =	DESIGNED -	REVISED -	STATE OF ILLINOIS DEPARTMENT OF TRANSPORTATION		EAST MAIN STREET SEWER SERVICE DETAIL - 571 EAST MAIN STREET		F.A.U. RTE.	SECTION	COUNTY	TOTAL SHEETS	SHEET NO.
		DRAWN -	REVISED -					6800	05-00500-19-GS	KNOX	221	78
		CHECKED -	REVISED -					50VB		CONTRACT NO.89417		
		DATE -	REVISED -					ILLINOIS FED. AID PROJECT				

DATE	
BY	
PLAN	
NO. 1	
NO. 2	
NO. 3	
NO. 4	
NO. 5	
NO. 6	
NO. 7	
NO. 8	
NO. 9	
NO. 10	
NO. 11	
NO. 12	
NO. 13	
NO. 14	
NO. 15	
NO. 16	
NO. 17	
NO. 18	
NO. 19	
NO. 20	
NO. 21	
NO. 22	
NO. 23	
NO. 24	
NO. 25	
NO. 26	
NO. 27	
NO. 28	
NO. 29	
NO. 30	
NO. 31	
NO. 32	
NO. 33	
NO. 34	
NO. 35	
NO. 36	
NO. 37	
NO. 38	
NO. 39	
NO. 40	
NO. 41	
NO. 42	
NO. 43	
NO. 44	
NO. 45	
NO. 46	
NO. 47	
NO. 48	
NO. 49	
NO. 50	
NO. 51	
NO. 52	
NO. 53	
NO. 54	
NO. 55	
NO. 56	
NO. 57	
NO. 58	
NO. 59	
NO. 60	
NO. 61	
NO. 62	
NO. 63	
NO. 64	
NO. 65	
NO. 66	
NO. 67	
NO. 68	
NO. 69	
NO. 70	
NO. 71	
NO. 72	
NO. 73	
NO. 74	
NO. 75	
NO. 76	
NO. 77	
NO. 78	
NO. 79	
NO. 80	
NO. 81	
NO. 82	
NO. 83	
NO. 84	
NO. 85	
NO. 86	
NO. 87	
NO. 88	
NO. 89	
NO. 90	
NO. 91	
NO. 92	
NO. 93	
NO. 94	
NO. 95	
NO. 96	
NO. 97	
NO. 98	
NO. 99	
NO. 100	



DATE	
BY	
PROFILE	
NO. 1	
NO. 2	
NO. 3	
NO. 4	
NO. 5	
NO. 6	
NO. 7	
NO. 8	
NO. 9	
NO. 10	
NO. 11	
NO. 12	
NO. 13	
NO. 14	
NO. 15	
NO. 16	
NO. 17	
NO. 18	
NO. 19	
NO. 20	
NO. 21	
NO. 22	
NO. 23	
NO. 24	
NO. 25	
NO. 26	
NO. 27	
NO. 28	
NO. 29	
NO. 30	
NO. 31	
NO. 32	
NO. 33	
NO. 34	
NO. 35	
NO. 36	
NO. 37	
NO. 38	
NO. 39	
NO. 40	
NO. 41	
NO. 42	
NO. 43	
NO. 44	
NO. 45	
NO. 46	
NO. 47	
NO. 48	
NO. 49	
NO. 50	
NO. 51	
NO. 52	
NO. 53	
NO. 54	
NO. 55	
NO. 56	
NO. 57	
NO. 58	
NO. 59	
NO. 60	
NO. 61	
NO. 62	
NO. 63	
NO. 64	
NO. 65	
NO. 66	
NO. 67	
NO. 68	
NO. 69	
NO. 70	
NO. 71	
NO. 72	
NO. 73	
NO. 74	
NO. 75	
NO. 76	
NO. 77	
NO. 78	
NO. 79	
NO. 80	
NO. 81	
NO. 82	
NO. 83	
NO. 84	
NO. 85	
NO. 86	
NO. 87	
NO. 88	
NO. 89	
NO. 90	
NO. 91	
NO. 92	
NO. 93	
NO. 94	
NO. 95	
NO. 96	
NO. 97	
NO. 98	
NO. 99	
NO. 100	

DATE	2/11/14
BY	MPB
PROFILE	
NO. 1	
NO. 2	
NO. 3	
NO. 4	
NO. 5	
NO. 6	
NO. 7	
NO. 8	
NO. 9	
NO. 10	
NO. 11	
NO. 12	
NO. 13	
NO. 14	
NO. 15	
NO. 16	
NO. 17	
NO. 18	
NO. 19	
NO. 20	
NO. 21	
NO. 22	
NO. 23	
NO. 24	
NO. 25	
NO. 26	
NO. 27	
NO. 28	
NO. 29	
NO. 30	
NO. 31	
NO. 32	
NO. 33	
NO. 34	
NO. 35	
NO. 36	
NO. 37	
NO. 38	
NO. 39	
NO. 40	
NO. 41	
NO. 42	
NO. 43	
NO. 44	
NO. 45	
NO. 46	
NO. 47	
NO. 48	
NO. 49	
NO. 50	
NO. 51	
NO. 52	
NO. 53	
NO. 54	
NO. 55	
NO. 56	
NO. 57	
NO. 58	
NO. 59	
NO. 60	
NO. 61	
NO. 62	
NO. 63	
NO. 64	
NO. 65	
NO. 66	
NO. 67	
NO. 68	
NO. 69	
NO. 70	
NO. 71	
NO. 72	
NO. 73	
NO. 74	
NO. 75	
NO. 76	
NO. 77	
NO. 78	
NO. 79	
NO. 80	
NO. 81	
NO. 82	
NO. 83	
NO. 84	
NO. 85	
NO. 86	
NO. 87	
NO. 88	
NO. 89	
NO. 90	
NO. 91	
NO. 92	
NO. 93	
NO. 94	
NO. 95	
NO. 96	
NO. 97	
NO. 98	
NO. 99	
NO. 100	



FILE NAME =	USER NAME =	DESIGNED -	REVISED -	STATE OF ILLINOIS		F.A.U. RTE.	SECTION	COUNTY	TOTAL SHEETS	SHEET NO.
0105-shr-sanitary002.dgn	ender00846	RLA	-	DEPARTMENT OF TRANSPORTATION		6800	05-00500-19-GS	KNOX	221	79
PLOT SCALE = 20.0000' / 1"	CHECKED -	MPB	-			50VB		CONTRACT NO.89417		
PLOT DATE = 9/8/2015	DATE -	9/9/2015	-			SCALE: 1"=20'		SHEET NO. OF SHEETS STA. TO STA.		ILLINOIS FED. AID PROJECT

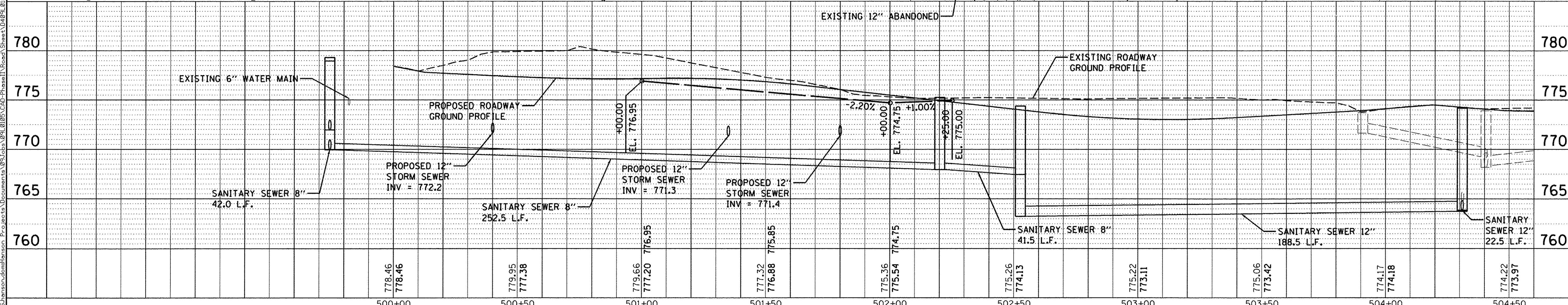
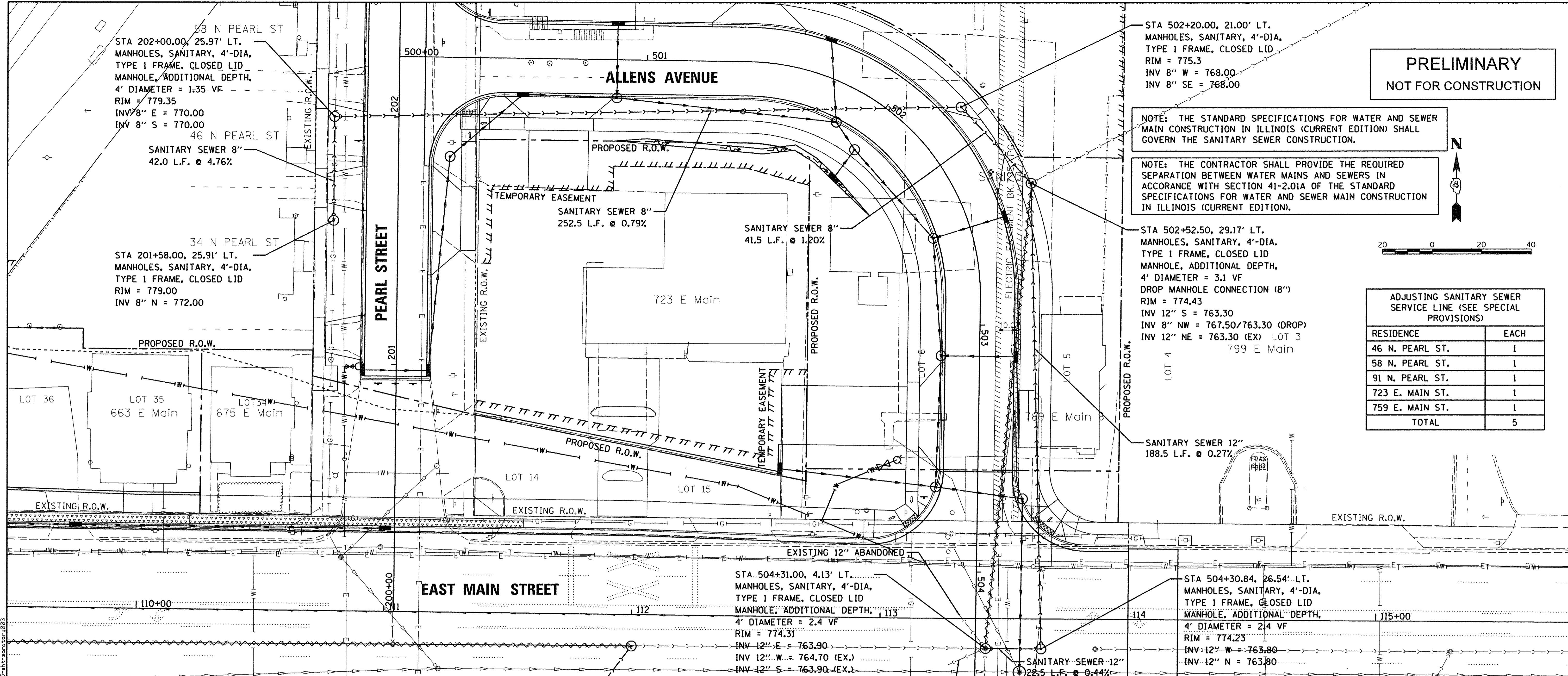
PRELIMINARY
NOT FOR CONSTRUCTION

NOTE: THE STANDARD SPECIFICATIONS FOR WATER AND SEWER MAIN CONSTRUCTION IN ILLINOIS (CURRENT EDITION) SHALL GOVERN THE SANITARY SEWER CONSTRUCTION.

NOTE: THE CONTRACTOR SHALL PROVIDE THE REQUIRED SEPARATION BETWEEN WATER MAINS AND SEWERS IN ACCORDANCE WITH SECTION 41-2.01A OF THE STANDARD SPECIFICATIONS FOR WATER AND SEWER MAIN CONSTRUCTION IN ILLINOIS (CURRENT EDITION).



ADJUSTING SANITARY SEWER SERVICE LINE (SEE SPECIAL PROVISIONS)	
RESIDENCE	EACH
46 N. PEARL ST.	1
58 N. PEARL ST.	1
91 N. PEARL ST.	1
723 E. MAIN ST.	1
759 E. MAIN ST.	1
TOTAL	5



PLAN	DATE
BY: _____	DATE: _____
NO. _____	DATE: _____

PROFILE	DATE
BY: _____	DATE: _____
NO. _____	DATE: _____

LAYOUT	DATE
BY: _____	DATE: _____
NO. _____	DATE: _____

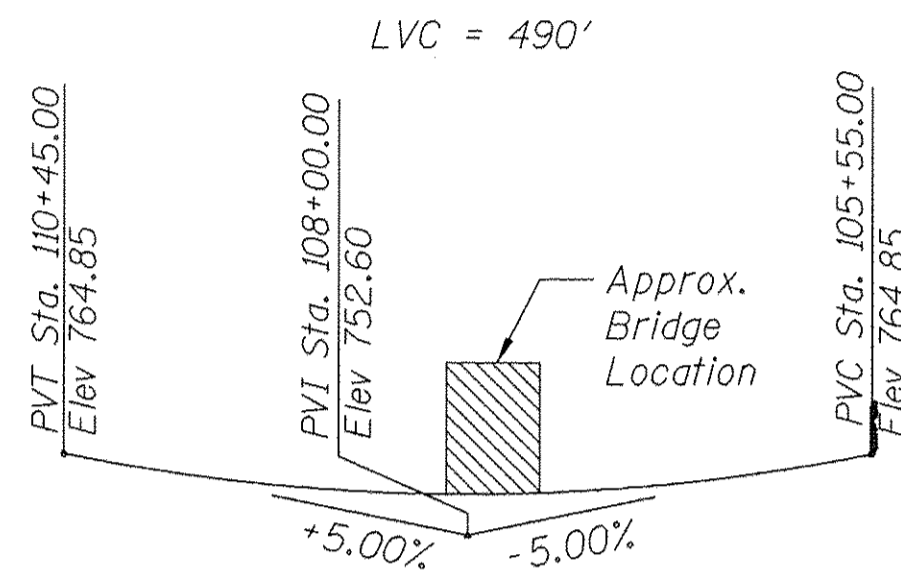
FILE NAME =	USER NAME = andr00846	DESIGNED - RLA	REVISED -	STATE OF ILLINOIS DEPARTMENT OF TRANSPORTATION	ALLENS AVENUE PROPOSED SANITARY SEWER PLANS	F.A.U. RTE.	SECTION	COUNTY	TOTAL SHEETS	SHEET NO.	
Default	0185-sht-sanitary003.dgn	DRAWN - MGD	REVISED -			6800	05-00500-19-GS	KNOX	221	80	
	PLOT SCALE = 20,0000 1/ in.	CHECKED - MPB	REVISED -			SCALE: 1"=20'		SHEET OF SHEETS		STA. TO STA.	
	PLOT DATE = 9/8/2015	DATE - 9/9/2015	REVISED -			ILLINOIS FED. AID PROJECT		CONTRACT NO.89417			

Benchmark:
 BM#225 - Chiseled square in Northeast corner of abandoned concrete sign foundation at the Northwest corner of E. Main St. and N. Chambers St.
 Elevation = 776.22

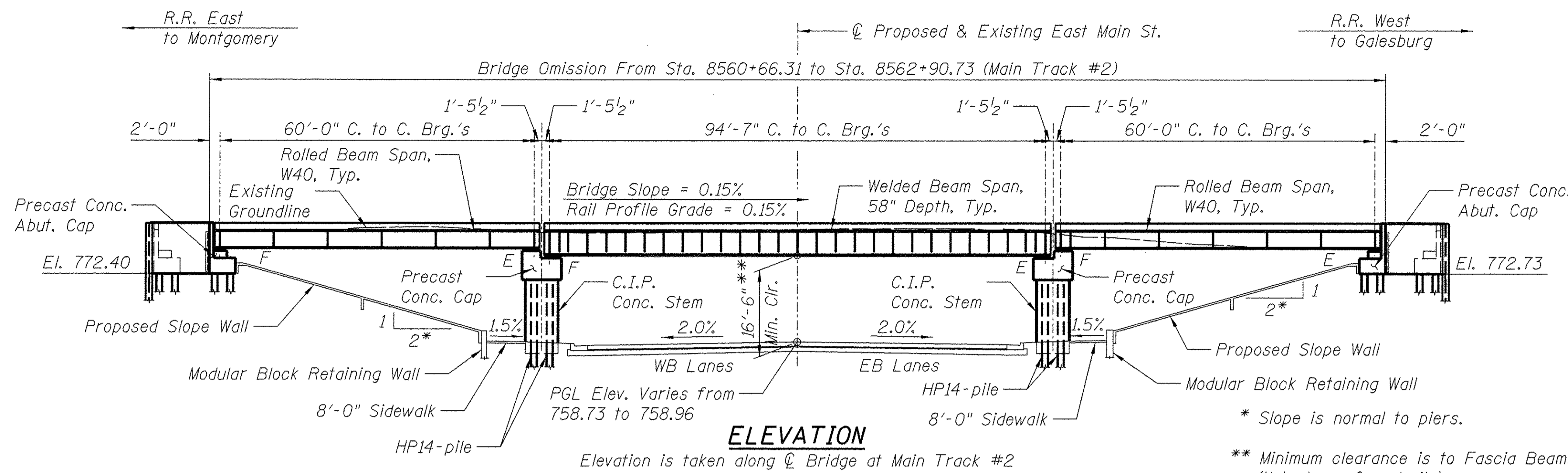
Existing Structure: None

Traffic Control:
 Minimum one lane of traffic in each direction on U.S. 150 during pile driving operations. Complete Road Closure during superstructure and roadway construction. Traffic is to be maintained by detouring onto an alternate route. Rail traffic to be maintained on all three tracks except for closure windows coordinated with BNSF.

Salvage: None
 Railroad utilities may exist within BNSF right-of-way. Prior to the start of any construction or excavation, utility relocations will have to be coordinated with the BNSF.



PROFILE GRADE
EAST MAIN ST. (U.S. 150)
 Along ϕ of East Main St.



ELEVATION
 Elevation is taken along ϕ Bridge at Main Track #2

LOADING COOPER E-80

Impact: Diesel Impact
 300 psf of Ballast Dead Load

DESIGN SPECIFICATIONS

2014 AREMA Specifications
 Live Load Deflection: L/640
 Composite Design for Deflection Requirements
 Design speed: 79 m.p.h.

DESIGN STRESSES

FIELD UNITS

f'_c = 4,000 psi (Pier Stems and Retaining Wall)
 f_y = 60,000 psi (Reinforcement)
 f_y = 50,000 psi (ASTM A709 Grade 50)

PRECAST UNITS

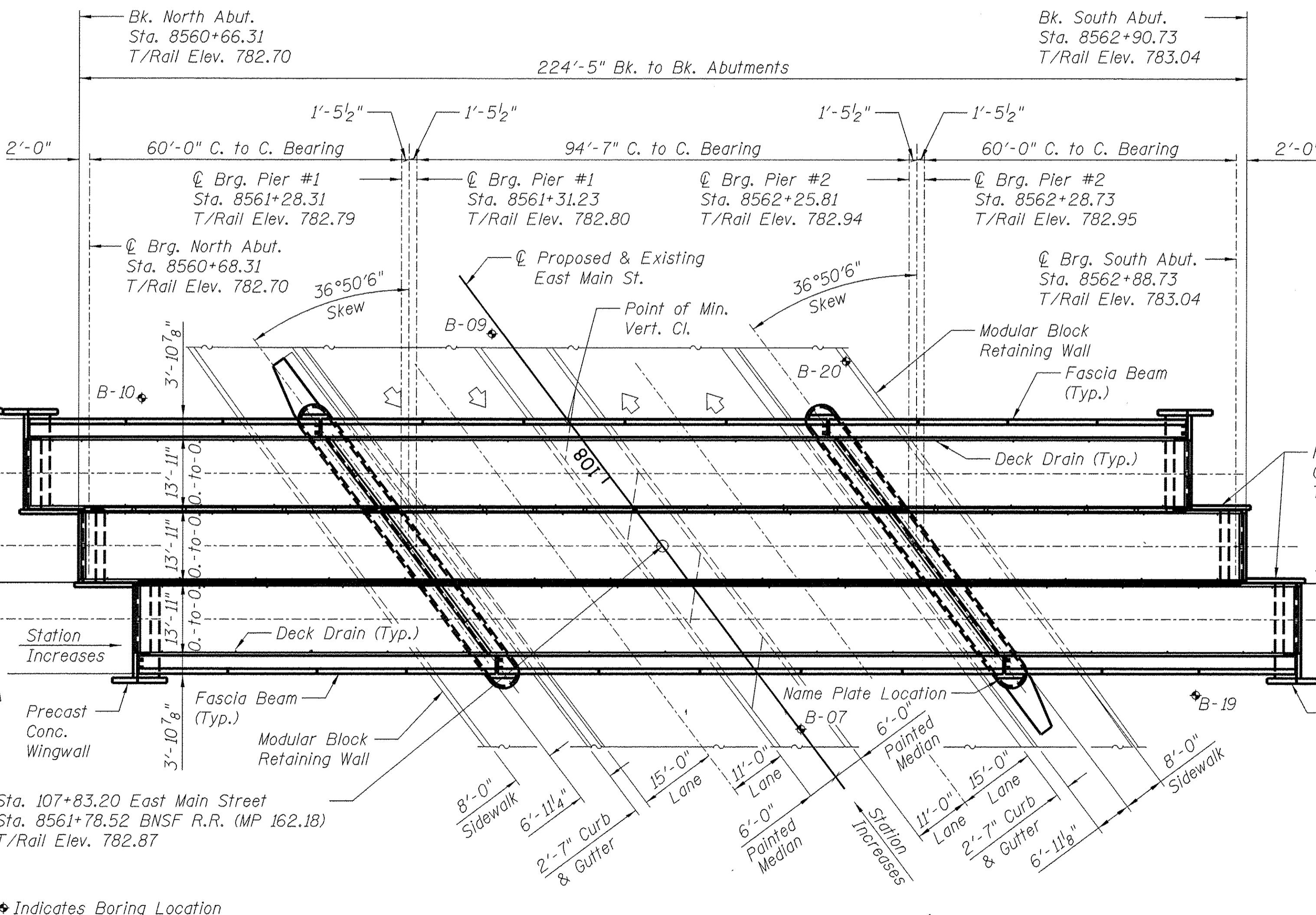
f'_c = 4,000 psi (Pier and Abutment Caps)
 f'_c = 6,500 psi (Fascia Beam)
 f'_{ci} = 5,000 psi (Fascia Beam)
 f_{pu} = 270,000 psi ($\frac{1}{2}$ " Dia. low lax strands)
 f_{pbt} = 202,500 psi ($\frac{1}{2}$ " Dia. low lax strands)

SEISMIC DATA

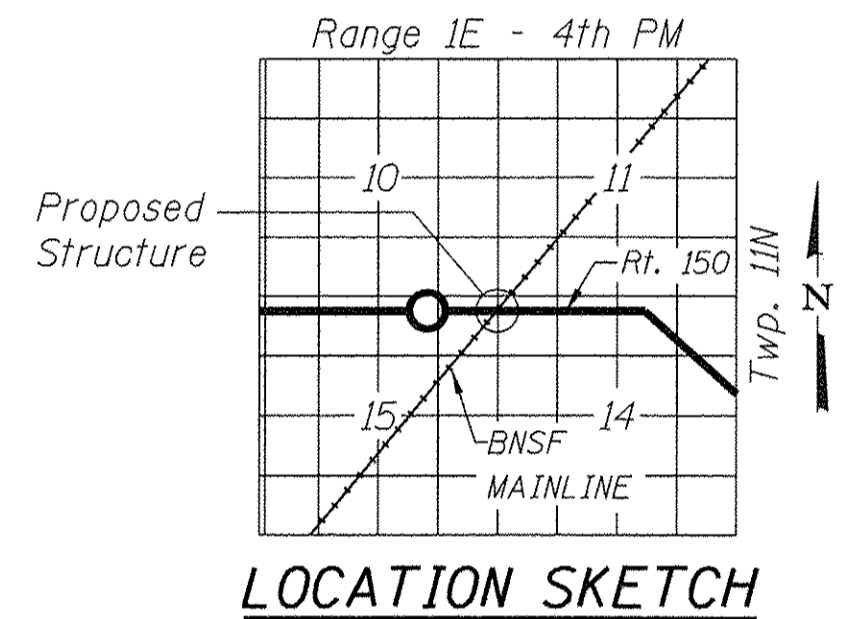
AREMA

Coefficient of Horiz. Acceleration, 100 Year (A_{100}) = < 0.04
 Coefficient of Horiz. Acceleration, 475 Year (A_{475}) = < 0.04
 Coefficient of Horiz. Acceleration, 2400 Year (A_{2400}) = 0.08
 Soil Site Coefficient (S) = 1.0

LVC = 490'



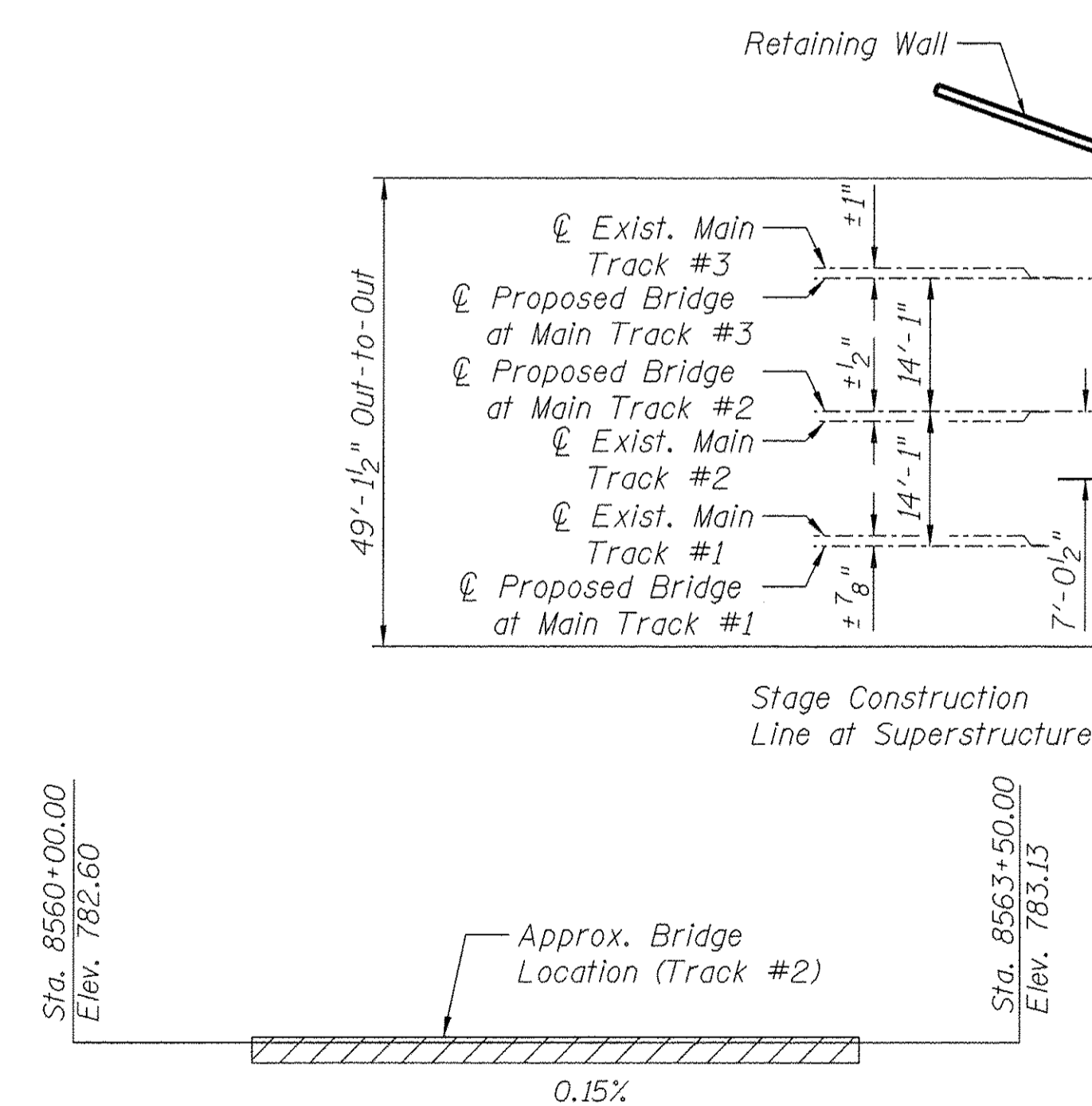
PLAN



LOCATION SKETCH



9/8/2015
 Exp. 11/30/2016



PROFILE GRADE
TOP OF RAIL PROFILE
PROPOSED BNSF MAINLINE TRACKS

MENDOTA SUBDIVISION, LINE SEGMENT 1, MILEPOST 162.18

GENERAL PLAN & ELEVATION
BNSF OVER EAST MAIN ST. (U.S. 150)
F.A.U. 6800-SECTION 05-00500-19-GS
KNOX COUNTY
STATION 107+83.20
STRUCTURE NO. 048-9928

DESIGNED	JEC	5-22-15
DRAWN	GTJ	5-22-15
REVIEWED	MAF	5-29-15

\\sp1\svr306\hanson.d\hanson\Projects\Documents\09\Jobs\09\0105\CAD-Phase11\Struct\Sheet\048\0105-GPE

USER NAME = andr-00846	DESIGNED - JEC	REVISD -
PLLOT SCALE = 16:0.0002 1" = 16'	CHECKED - MAF	REVISD -
PLLOT DATE = 9/8/2015	DRAWN - GTJ	REVISD -
	CHECKED - MAF	REVISD -

STATE OF ILLINOIS
DEPARTMENT OF TRANSPORTATION

GENERAL PLAN & ELEVATION
STRUCTURE 048-9928

SHEET NO. 1 OF 52 SHEETS

F.A.U. RTE.	SECTION	COUNTY	TOTAL SHEETS	SHEET NO.
6800	05-00500-19-GS	KNOX	221	81
CONTRACT NO.			89417	
ILLINOIS FED. AID PROJECT				

GENERAL NOTES

Fasteners shall be ASTM A325 Type 1, mechanically galvanized bolts.
Bolts 7/8 in. ϕ , holes 15/16 in. ϕ , unless otherwise noted.

Calculated weight of Structural Steel, ASTM A709, Gr. 50 = 2,209,800 lbs.

No field welding is permitted except as specified in the contract documents.

Reinforcement bars designated (E) shall be epoxy coated.

Bearing seat surfaces shall be constructed or adjusted to the designated elevations within a tolerance of 1/8 inch (0.01 ft.). Adjustment shall be made either by grinding the surface or by shimming the bearings.

Concrete Sealer shall be applied to the following surfaces:

Abutments - inside face of backwall, inside face of wingwall, inside face of closure wall, top of cap, top of step and faces of step in cap.

Pier - entire exposed pier cap surface and steps.

Superstructure - entire exposed surface of precast prestressed fascia beam & curb (except surfaces coated with surface color treatment).

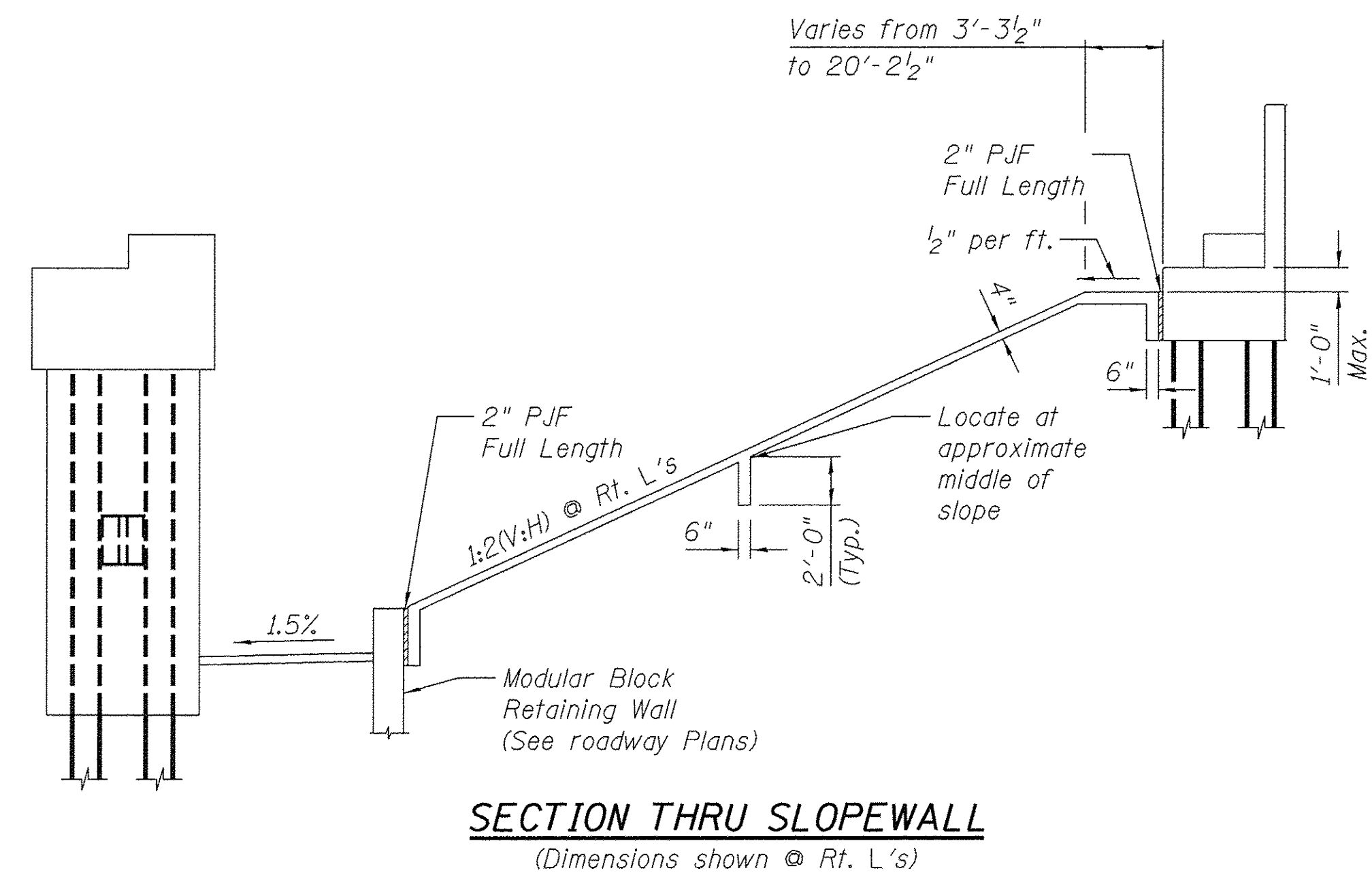
The organic Zinc Rich Primer / Epoxy / Urethane Paint System shall be used for painting of new structural steel except where otherwise noted. The entire system shall be shop applied. Masked off connection surfaces, field installed fasteners and damaged areas shall be touched up in the field. The color of the final finish coat for all interior and exterior steel surfaces shall be gray, Munsell No. 5B 7/1.

INDEX OF SHEETS

1. General Plan and Elevation
2. General Data
3. Foundation Layout Plan - North Side
4. Foundation Layout Plan - South Side
5. Construction Sequence Notes & Details
6. Construction Sequence Plan - Stage II & III
7. Construction Sequence Plan - Stage IV & V
8. Construction Sequence Staging Sections
9. Superstructure & Details
10. Ballast Pan Plan - Span #1 & #3
11. Ballast Pan Plan - Span #2
12. Framing Plan - Span #1
13. Framing Plan - Span #2
14. Framing Plan - Span #3
15. Framing Details - Span #1 & #3
16. Framing Details - Span #2
17. Precast Fascia Beam (Sheet 1 of 3)
18. Precast Fascia Beam (Sheet 2 of 3)
19. Precast Fascia Beam (Sheet 3 of 3)
20. Precast Fascia Beam Details
21. Anchor Bolt & Bearing Layout Plan
22. Bearing Details - Span #1 & #3
23. Bearing Details - Span #2
24. Waterproofing Details
25. Deck Drainage Plan - Span #1
26. Drain Line Profiles - Span #1
27. Deck Drainage Plan - Span #2 North Half
28. Deck Drainage Plan - Span #2 South Half
29. Drain Line Profiles - Span #2
30. Deck Drainage Plan - Span #3
31. Drain Line Profiles - Span #3
32. Deck Drainage System Details (Sheet 1 of 3)
33. Deck Drainage System Details (Sheet 2 of 3)
34. Deck Drainage System Details (Sheet 3 of 3)
35. Fence Details
36. Precast Abutment Cap - PC162.15-1
37. Precast Abutment Cap - PC162.15-2
38. Precast Abutment Cap - PC162.15-3
39. Precast Pier Cap - PC162.15-4
40. Precast Pier Cap - PC162.15-5
41. Precast Pier Cap - PC162.15-6
42. Precast Cap Details
43. Cast-In-Place Pier Stem Wall Details
44. Precast Closure Wall & Wingwall Details
45. Misc. Steel Details (Sheet 1 of 2)
46. Misc. Steel Details (Sheet 2 of 2)
47. Retaining Wall Details
48. Abutment Backfill Details
49. HP Pile Details
50. Fascia Beam Aesthetic Details
51. Soil Borings (1 of 2)
52. Soil Borings (2 of 2)

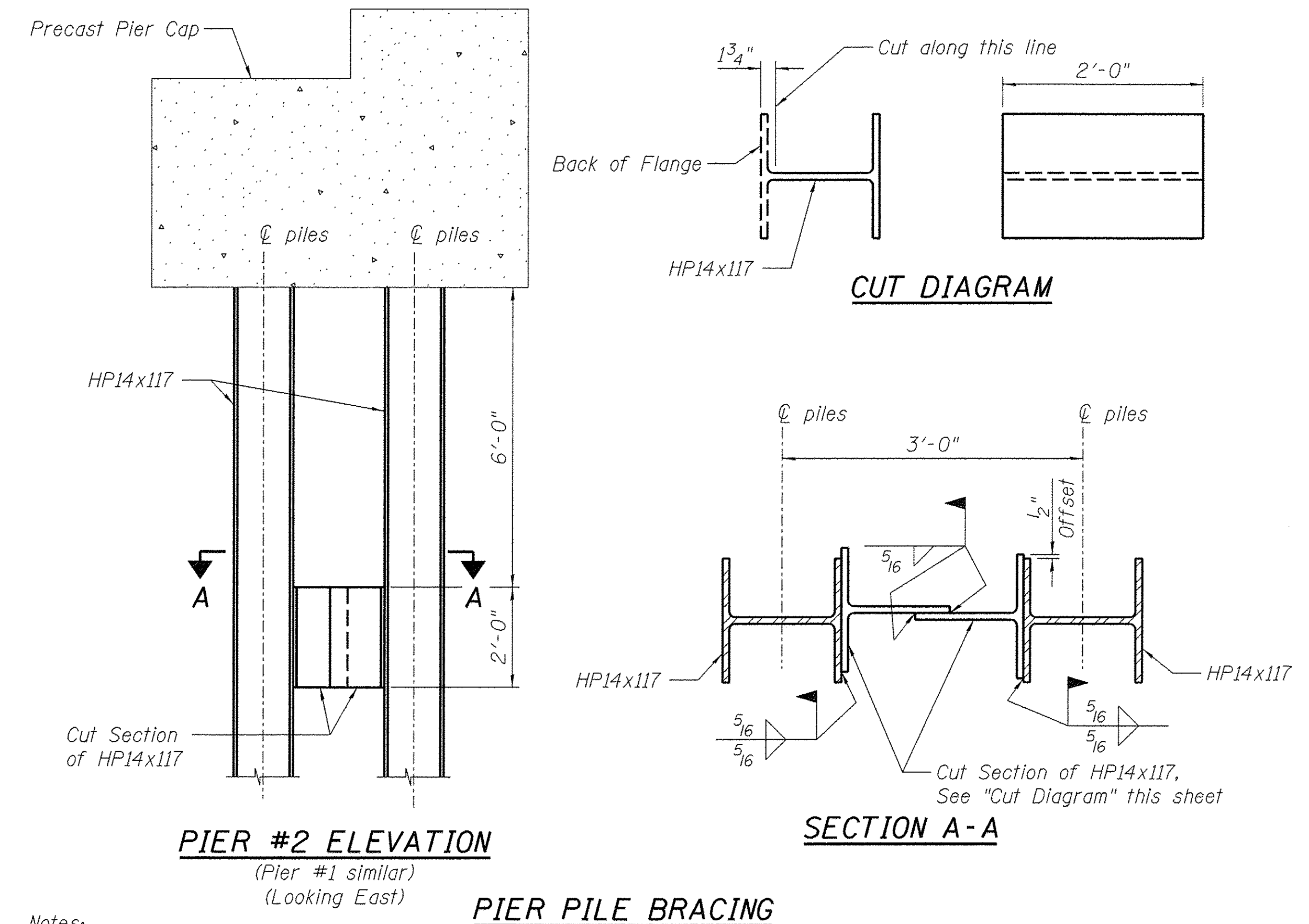
TOTAL BILL OF MATERIAL

ITEM	UNIT	SUPER	SUB	TOTAL
Structure Excavation	Cu. Yd.	-	5,620	5,620
Concrete Structures	Cu. Yd.	-	350.7	350.7
Form Liner Textured Surface	Sq. Ft.	-	2,650	2,650
Furnishing and Erecting Structural Steel	L. Sum	1	-	1
Stud Shear Connectors	Each	-	48	48
Reinforcement Bars, Epoxy Coated	Pound	-	16,290	16,290
Slope Wall 4 Inch	Sq. Yd.	-	580	580
Furnishing Steel Piles HP14x117	Foot	-	12,543	12,543
Driving Piles	Foot	-	11,322	11,322
Test Pile Steel HP14x117	Each	-	4	4
Name Plates	Each	-	1	1
Membrane Waterproofing	Sq. Ft.	10,480	-	10,480
Concrete Sealer	Sq. Ft.	7,230	2,360	9,590
Geocomposite Wall Drain	Sq. Yd.	-	180	180
Controlled Low-Strength Material	Cu. Yd.	-	120	120
Driving Soldier Piles	Foot	-	175	175
Concrete Surface Color Treatment	Sq. Ft.	60	-	60
Drainage System	L. Sum	1	-	1
Precast Concrete Substructure	L. Sum	-	1	1
Granular Backfill for Structures	Cu. Yd.	-	370	370
Untreated Timber Lagging	Sq. Ft.	-	80	80
Furnishing Soldier Piles (HP Section)	Foot	-	175	175
Pipe Underdrains for Structures, 4"	Foot	-	240	240
Temporary Soil Retention System	Sq. Ft.	-	2,170	2,170
Fence (Special)	Foot	446	-	446
Precast Prestressed Concrete Fascia Beam	Foot	446	-	446
Track Monitoring	L. Sum	1	-	1



Notes:

1. Slope wall shall be reinforced with galvanized welded wire fabric, 6 in. x 6 in. - W4.0 x W4.0, weighing 58 lbs. per 100 sq. ft.
2. Slope wall shall extend 2 ft. beyond the extended vertical face of the Fascia Beams.
3. Cost of furnishing and placing of any additional subgrade material necessary for grading beneath slope wall and pre-molded joint filler is included in the unit price of "Slope Wall 4 Inch".



Notes:

1. Bracing should be installed between each pier pile pair at a distance of 6'-0" below the precast pier cap.
2. Bracing shall be installed within 24 hours of excavation to bottom of brace.
3. Cost to furnish and install bracing shall be included in the cost of "Driving Piles".
4. Welding should be performed by a certified welder.

BNSF RAILWAY
BUILT 20... BY
CITY OF GALESBURG
F.A.U. RT. 6800 SEC. 05-00500-19-GS
STATION 107+83.20
LOADING COOPER E-80
STR. NO. 048-9928

NAME PLATE
See Std. 515001

DESIGNED	JEC	5-22-15
DRAWN	GTJ	5-22-15
REVIEWED	MAF	5-29-15

p:\sp1-svr\306.hanson.dom\hanson_projects\Documents\09Jobs\09L0105\CA0-PhaseII\Struct\Sheet\048-9928-General_Data

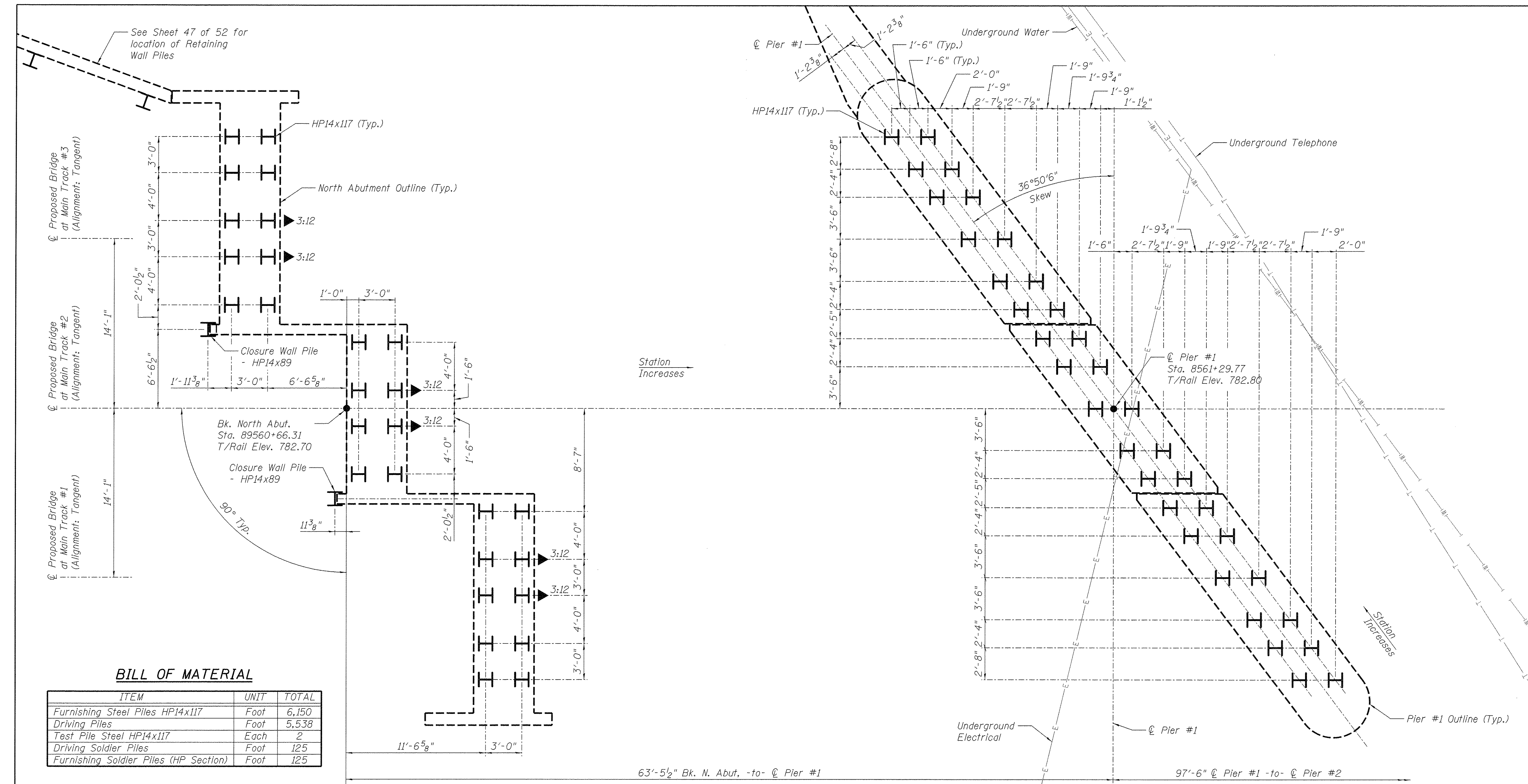
USER NAME = ande-00846	DESIGNED - JEC	REVISD -
	CHECKED - MAF	REVISD -
PLOT SCALE = 01.0000 "1" / in.	DRAWN - GTJ	REVISD -
PLOT DATE = 9/8/2015	CHECKED - MAF	REVISD -

STATE OF ILLINOIS
DEPARTMENT OF TRANSPORTATION

GENERAL DATA
STRUCTURE 048-9928

SHEET NO. 2 OF 52 SHEETS

F.A.U. RT. 6800	SECTION 05-00500-19-GS	COUNTY KNOX	TOTAL SHEETS 221	SHEET NO. 82
CONTRACT NO. 89417			ILLINOIS FED. AID PROJECT	



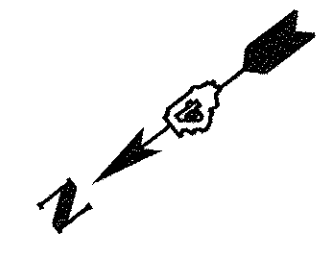
BILL OF MATERIAL

ITEM	UNIT	TOTAL
Furnishing Steel Piles HP14x117	Foot	6,150
Driving Piles	Foot	5,538
Test Pile Steel HP14x117	Each	2
Driving Soldier Piles	Foot	125
Furnishing Soldier Piles (HP Section)	Foot	125

PILE DATA TABLE

Structures	Type	Nominal Required Bearing	Allowable Resistance Available	Est. Length	No. Production Piles	No. Test Piles	Est. Tip Elevation	Cutoff Elevation
North Abutment	Closure Wall	HP14x89	-	25	2	-	757.0	782.07
	Retaining Wall	HP14x89	-	25	3	-	754.8	779.80
	Cap	HP14x117	748	97	27	1	685.0	772.40
Pier #1	HP14x117	804	402	107	33	1	675.1	771.49

FOUNDATION LAYOUT PLAN - NORTH



- Notes:
- Existing utilities shown are for information from records available. Pile driving operations shall be coordinated with utility relocation.
 - Railroad utilities may exist within BNSF right-of-way. Prior to the start of any construction or excavation, utility relocations will have to be coordinated with BNSF.
 - During excavation for roadway, contractor shall install bracing between piles as shown on sheet 2 of 52.
 - ▼ - Indicates direction of batter.
 - X:12 - indicates amount of batter.
 - All dimensions are given at bottom of precast cap.

DESIGNED: JEC 5-22-15
 DRAWN: GTJ 5-22-15
 REVIEWED: MAF 5-29-15

px:\sp1-svr386\henson.dom\henson_projects\Documents\09\Jobs\09L0105\CA0-Phase1\Struct\Sheet\0409L0105-Foundation_Plan_1



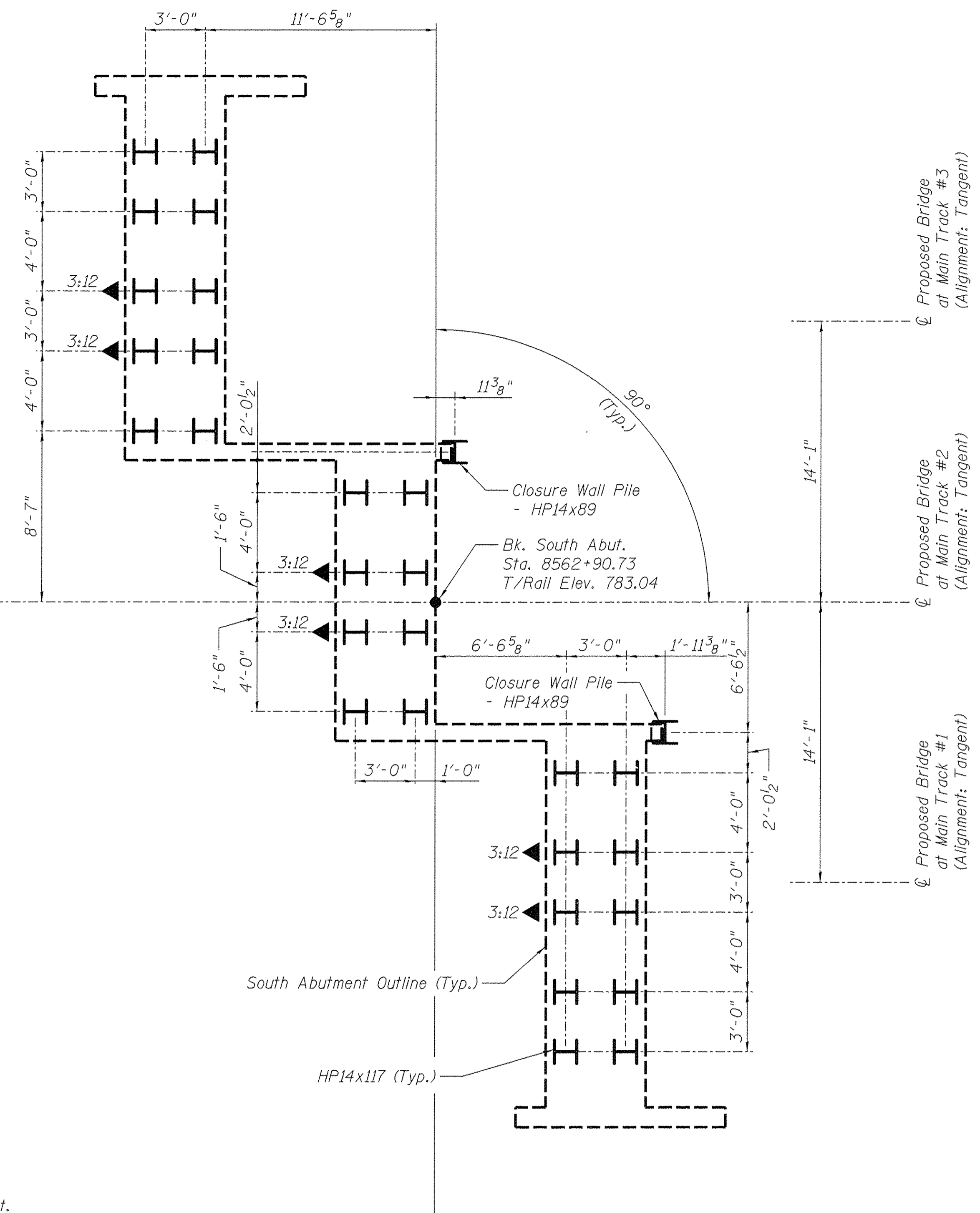
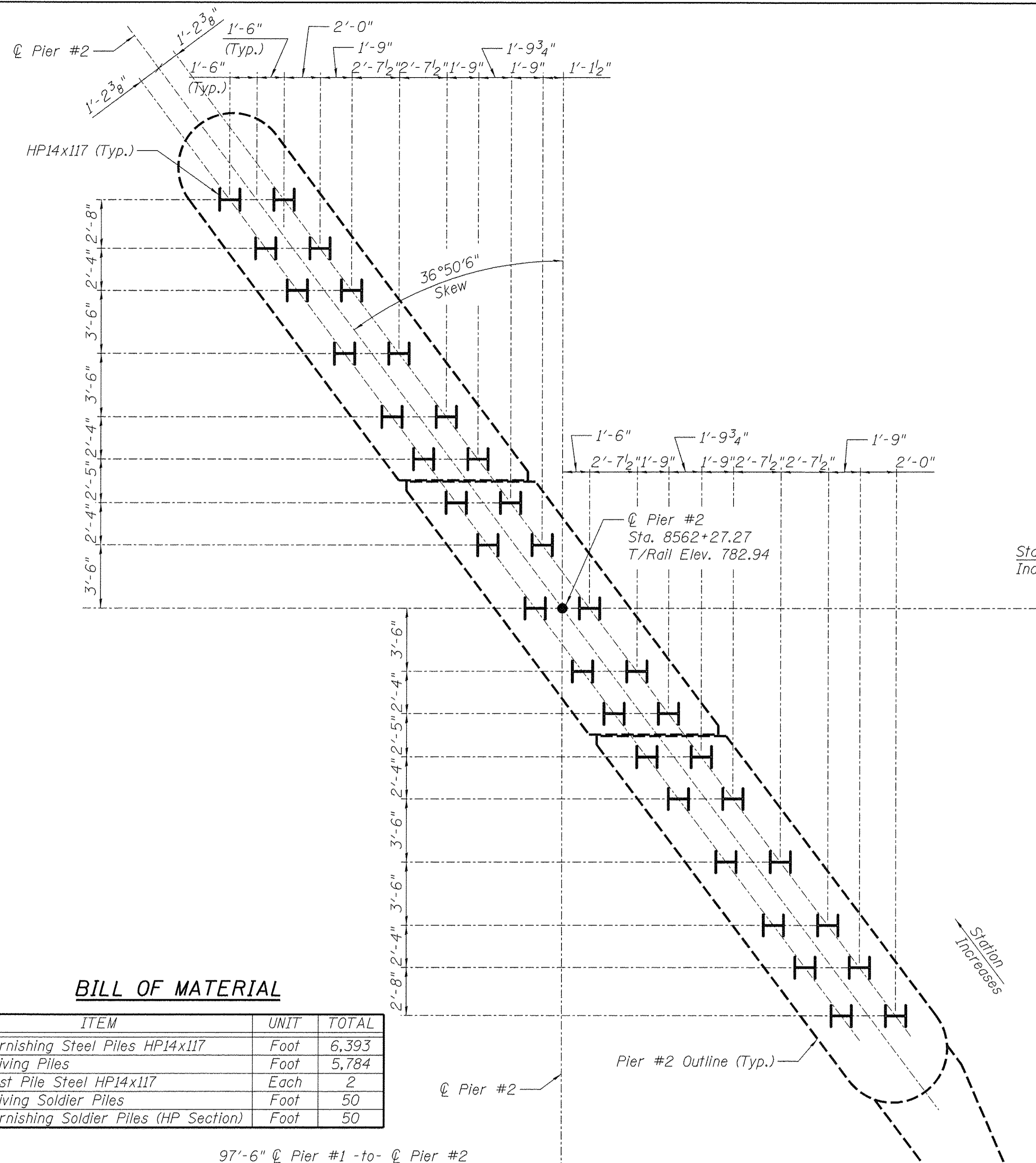
USER NAME = andr00846	DESIGNED - JEC	REVISD -
PLOT SCALE = 40.0000 1" = 40'	CHECKED - MAF	REVISD -
PLOT DATE = 9/8/2015	DRAWN - GTJ	REVISD -
	CHECKED - MAF	REVISD -

**STATE OF ILLINOIS
 DEPARTMENT OF TRANSPORTATION**

**FOUNDATION LAYOUT PLAN - NORTH SIDE
 STRUCTURE 048-9928**

SHEET NO. 3 OF 52 SHEETS

F.A.U. RTE. 6800	SECTION 05-00500-19-GS	COUNTY KNOX	TOTAL SHEETS 221	SHEET NO. 83
CONTRACT NO. 89417				
ILLINOIS FED. AID PROJECT				



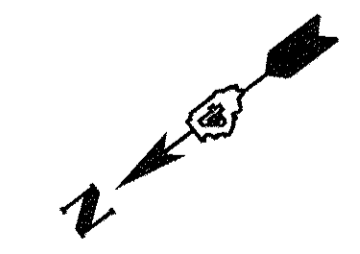
BILL OF MATERIAL

ITEM	UNIT	TOTAL
Furnishing Steel Piles HP14x117	Foot	6,393
Driving Piles	Foot	5,784
Test Pile Steel HP14x117	Each	2
Driving Soldier Piles	Foot	50
Furnishing Soldier Piles (HP Section)	Foot	50

PILE DATA TABLE

Structures	Type	Nominal Required Bearing	Allowable Resistance Available	Est. Length	No. Production Piles	No. Test Piles	Est. Tip Elevation	Cutoff Elevation
Pier #2	HP14x117	804	402	107	33	1	675.2	771.63
South Abutment	Closure Wall	-	-	25	2	-	757.3	782.43
	Cap	720	360	106	27	1	676.3	772.73

FOUNDATION LAYOUT PLAN - SOUTH



- Notes:
- Existing utilities shown are for information from records available. Pile driving operations shall be coordinated with utility relocation.
 - Railroad utilities may exist within BNSF right-of-way. Prior to the start of any construction or excavation, utility relocations will have to be coordinated with BNSF.
 - During excavation for roadway, contractor shall install bracing between piles as shown on sheet 2 of 52.
 - ▼ - Indicates direction of batter.
 - X:12 - indicates amount of batter.
 - All dimensions are given at bottom of precast cap.

DESIGNED JEC 5-22-15
 DRAWN GTJ 5-22-15
 REVIEWED MAF 5-29-15

\\sp1-svr306.hanson.dom\hanson_projects\Documents\09Jobs\09L0105\CAD-Phase1\Struct\Sheet\0409L0105-FOUNDATION_Plan_2



USER NAME = andar-00846	DESIGNED - JEC	REVISIONS
PLOT SCALE = 4x0.0000 '1' = 1 in.	CHECKED - MAF	REVISIONS
PLOT DATE = 9/8/2015	DRAWN - GTJ	REVISIONS
	CHECKED - MAF	REVISIONS

**STATE OF ILLINOIS
 DEPARTMENT OF TRANSPORTATION**

**FOUNDATION LAYOUT PLAN - SOUTH SIDE
 STRUCTURE 048-9928**

F.A.U. RTE. 6800	SECTION 05-00500-19-GS	COUNTY KNOX	TOTAL SHEETS 221	SHEET NO. 84
CONTRACT NO. 89417				

SHEET NO. 4 OF 52 SHEETS

ILLINOIS FED. AID PROJECT

CONSTRUCTION SEQUENCE

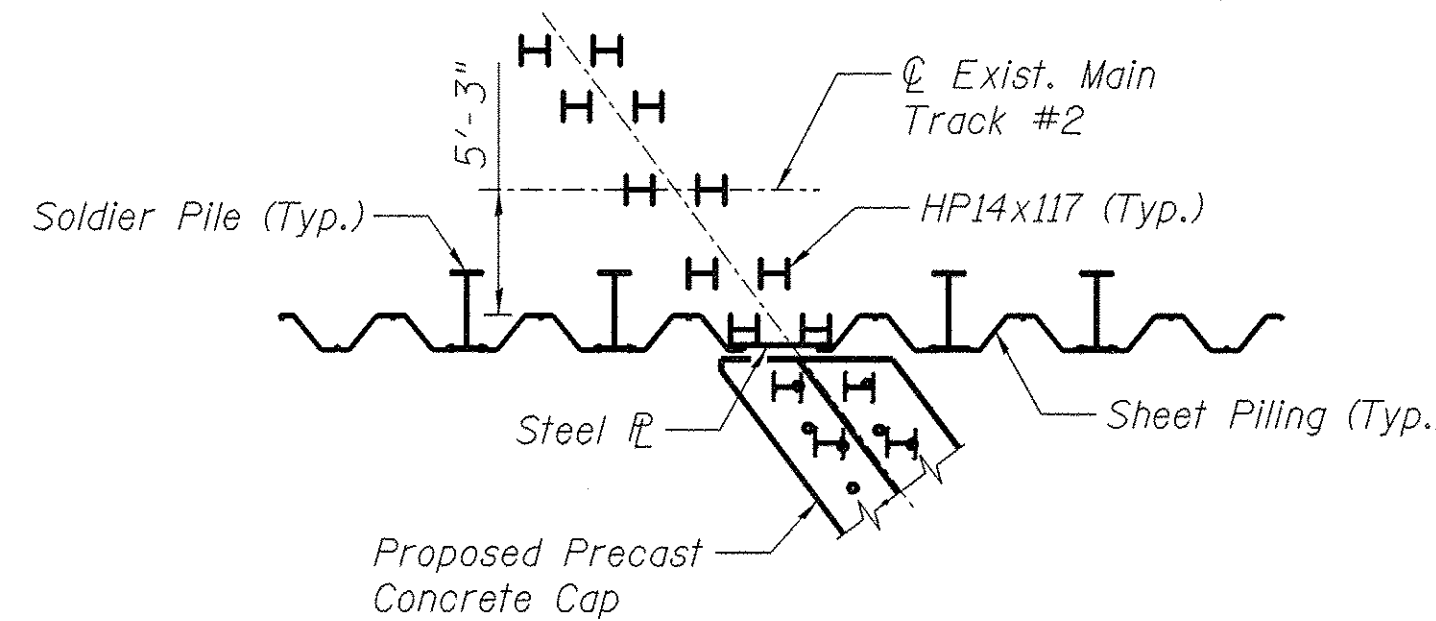
- Stage I - Maintain vehicular traffic on U.S. 150 with minimum one way traffic in each direction.
 - Maintain rail traffic with track closures and closure windows on adjacent tracks to allow for construction (ex. - Close Main Track #1 and maintain rail traffic on Main Track #2 & #3).
1. Drive H-pile at all locations to grade, BNSF to adjust track ties where needed. (See Foundation Layout Plan)
- Stage II - Close U.S. 150 & detour vehicular traffic. U.S. 150 to remain closed through the duration of the remaining stages.
 - Utilize closure windows on Main Track #1 for construction and maintain rail traffic on Main Track #2 & #3. Closure windows to be six (6) hours.
1. Provide Temporary Soil Retention System between Main Track #1 and Main Track #2. (See this sheet)
- Stage III - Maintain closure of U.S. 150 & detour vehicular traffic.
 - Utilize closure window on Main Track #1 and maintain rail traffic on Main Track #2 & #3. Closure window to be 48 hour for Main Track #1.
1. Excavate and cut H-pile to correct elevation at abutments and piers.
 2. Place and weld precast abutment & pier caps.
 3. Place Controlled Low-Strength Material at Abutments.
 4. Excavate between foundation elements as required to install superstructure.
 5. Install abutment closure wall & backfill abutment caps.
 6. Set bearings and install superstructure.
 7. BNSF to install tracks on Main #1 and open to rail traffic.

Construction Sequence (cont.)

- Stage IV - Same as III with closure window on Main Track #2 & #3.
- Closure window to be 48 hour for Main Track #2 and an additional 18 hours (66 total) for Main Track #3.
 - Temporary Soil Retention System shall be removed (locations of interference with structure installation) at any time during closure window and coordinated with the BNSF Representative.
- Stage V - Maintain closure of U.S. 150 & detour vehicular traffic.
 - Rail traffic open on all three Main Tracks.
1. Excavate to required elevations for roadway construction, installing Pier Pile Bracing as shown on sheet 2 of 52.
 2. Construct cast-in-place concrete stem on piers and concrete slope paving.
 3. Construct new roadway of U.S. 150 (East Main St.).
 4. Install Precast Fascia Beams. Contractor shall coordinate with BNSF Representative to minimize the impact on train operations. Fascia Beams may be installed at any point after adjacent steel superstructure has been placed in Stages III and IV.

NOTES

1. The Contractor must coordinate with the BNSF Representative to work around the train schedule to minimize the impact on train operations.
2. The Contractor shall install the steel H-Piles and Temporary Soil Retention System in six (6) hour closure windows. Contractor shall coordinate with BNSF on moving ties to install piles and shoring. The six (6) hour closure window shall include time for BNSF forces to make modifications to ties and/or rail as needed to complete work and prior to restoring train operations. BNSF has noted these windows to be scheduled for three days a week, with the requirement to use two cranes to install piles and shoring.
3. During Stage I, a closure window on Main Track #2 will require the closure of Main Track #3. The Contractor must coordinate with the BNSF Representative on which additional track to close to minimize the impact on train operations.
4. The Contractor will be given one window per stage for the interruption of train operations in Stages III and IV of bridge construction for the removal of tracks, installing substructure caps, setting superstructure and restoring train operations. The Contractor shall preassemble the superstructure near the bridge site to install in final position to expedite construction.
5. Only Conceptual Layout and Details are shown for the Temporary Soil Retention System. The final design and details are the responsibility of the Contractor. Final design and details signed and sealed by a registered Structural Engineer in the State of Illinois shall be submitted to the Engineer for review and approval.
6. Final Construction Sequence, Design and Details shall be submitted to BNSF for approval and coordination prior to installation of the Temporary Soil Retention System.
7. For additional Suggested Construction Sequence and Details, see sheets 6 to 8 of 52.
8. Mats or other means of protection must be provided to protect rails and ballast from damage due to equipment or construction operations. Cost included in Track Monitoring.
9. Design of Temporary Soil Retention System should be per the BNSF Guidelines for Temporary Shoring.
10. Railroad utilities may exist within BNSF right-of-way. Prior to the start of any construction or excavation, utility relocations will have to be coordinated with BNSF.
11. During excavation for roadway, contractor shall install bracing between piles as shown on sheet 2 of 52.
12. All welding of caps to piles and of connection angles to closure walls and caps shall be performed by a certified welder.



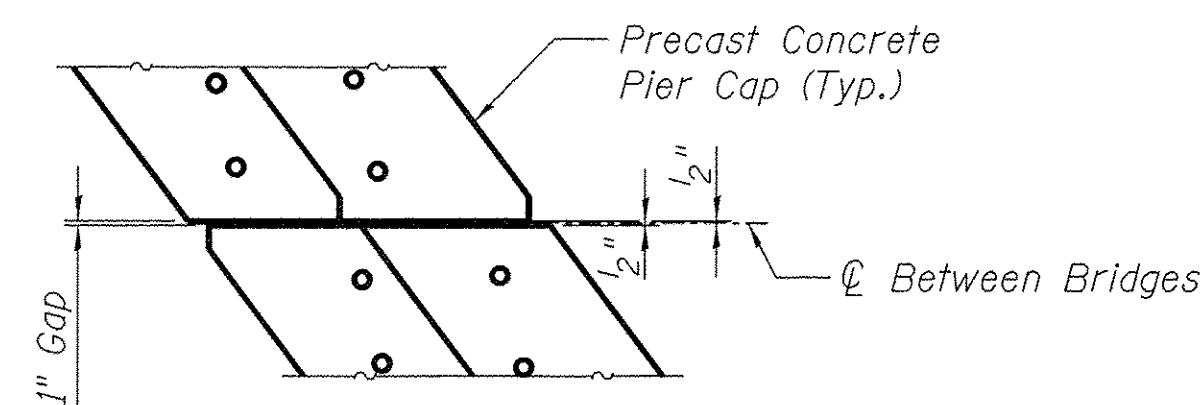
VIEW A-A

Typical at Abutments & Piers

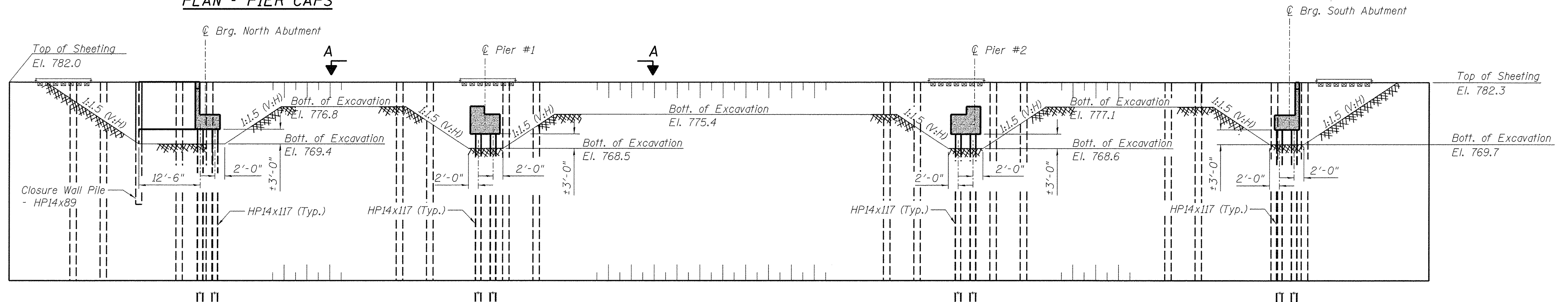
BNSF REQUIREMENTS

Notes

1. Contractor shall note dates for BNSF to move ties in 3 week planning schedules to coordinate work with BNSF forces
2. Six (6) hour closure window include time for BNSF forces to modify ties and/or rail as needed.
3. BNSF has noted closure windows to be scheduled for three days a week, with the use of two cranes to install piles and shoring.
4. Closure window on Main Track #2 will require closure on Main Track #3.
5. Stage III closure window for Main Track #1 shall be for a maximum of 48 hours.
6. Stage IV closure window for Main Track #2 shall be for the maximum of 48 hours with Main Track #3 closed an additional maximum of 18 hours (66 total).



PLAN - PIER CAPS



TYPICAL SECTION

- Notes:
1. The Temporary Soil Retention System includes two different excavation requirements: (1) Depth to allow for setting of superstructure. (2) Depth to allow for setting and attaching precast caps and associated safe working slopes.

2. At Abutments & Piers, a cantilevered sheet piling design does not appear feasible and additional members or other retention systems may be necessary. The contractor shall submit a Temporary Soil Retention System design including plan details and calculations signed and sealed by a registered Structural Engineer in the State of Illinois to the Engineer for review and approval.

BILL OF MATERIAL

ITEM	UNIT	TOTAL
Temporary Soil Retention System	Sq. Ft.	2,170

Suggested Details Only,
Final Design and Details
by the Contractor

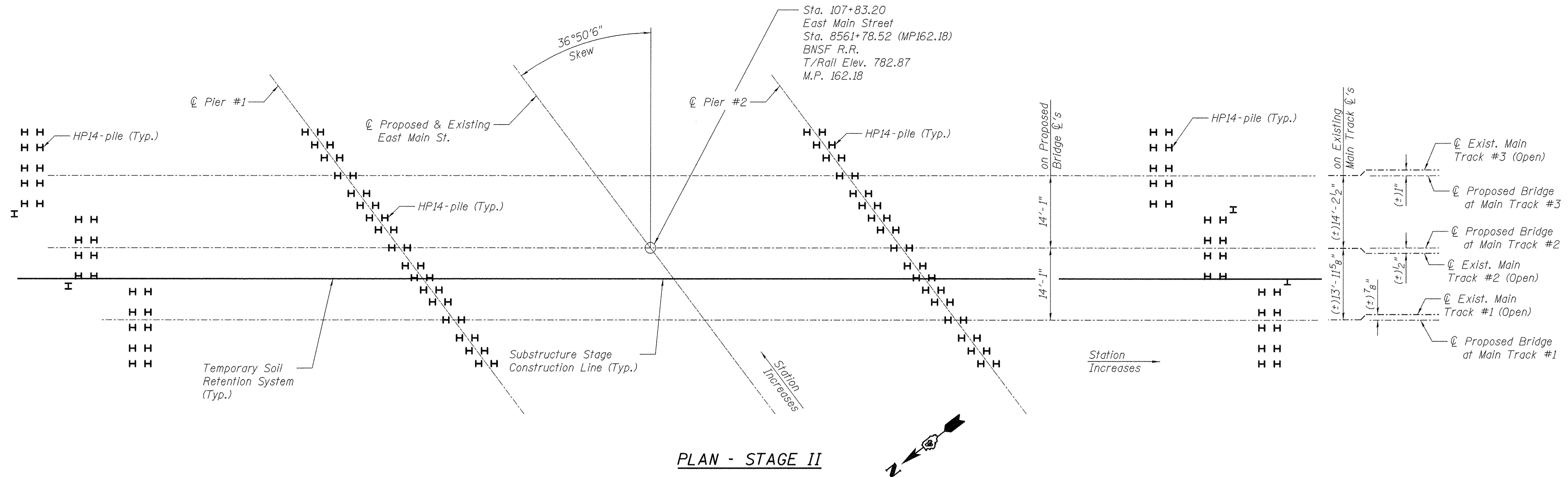
DESIGNED	JEC	5-22-15
DRAWN	GTJ	5-22-15
REVIEWED	MAF	5-29-15

USER NAME = andr-00846			
DESIGNED	JEC	REVISION	-
CHECKED	MAF	REVISION	-
DRAWN	GTJ	REVISION	-
CHECKED	MAF	REVISION	-
PLOT SCALE = 1/8"=1'-0"			
PLOT DATE = 9/8/2015			

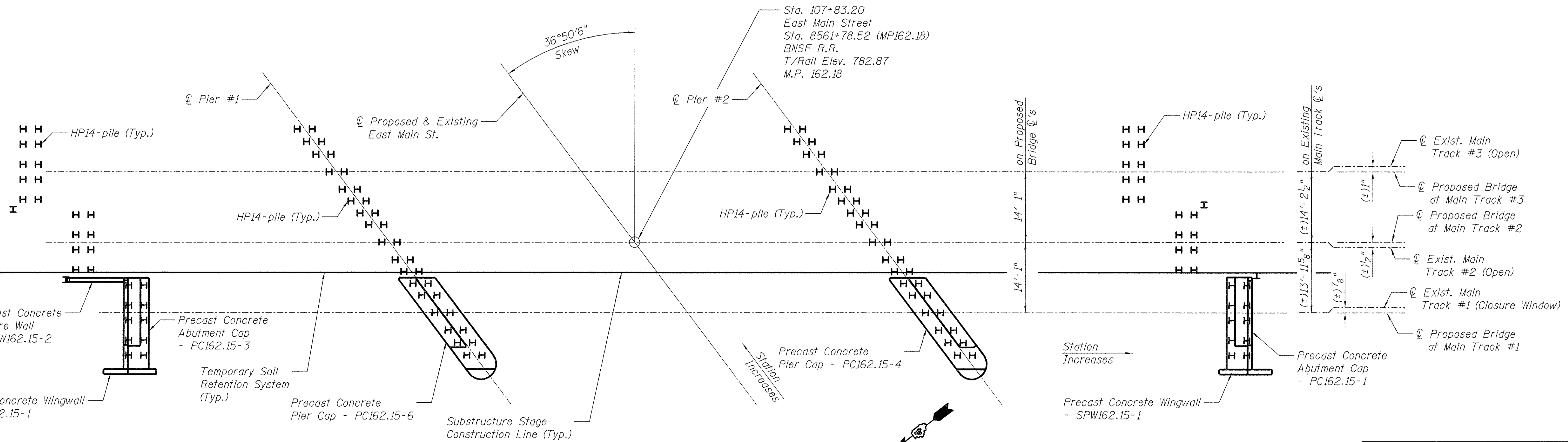
**STATE OF ILLINOIS
DEPARTMENT OF TRANSPORTATION**

**CONSTRUCTION SEQUENCE NOTES AND DETAILS
STRUCTURE 048-9928
SHEET NO. 5 OF 52 SHEETS**

F.A.U. RTE.	SECTION	COUNTY	TOTAL SHEETS	SHEET NO.
6800	05-00500-19-G5	KNOX	221	85
CONTRACT NO.			89417	
ILLINOIS FED. AID PROJECT				



PLAN - STAGE II



PLAN - STAGE III

BILL OF MATERIAL - STAGE III

ITEM	UNIT	TOTAL
Structure Excavation	Cu. Yd.	2,100

Note:
The cost of verification and removal of abandoned utilities shall be included in the unit price of "Structure Excavation".

Suggested Details Only,
Final Design and Details
by the Contractor

DESIGNED JEC 5-22-15
DRAWN GTJ 5-22-15
REVIEWED MAF 5-29-15

Project Path: p:\sp1-svr\306.hanson.dom\Hanson Projects\Documents\09Jobs\09L0105\CAD-PhaseII\Struct\Sheet\0409L0105-Construction_Sequence_Stage_2-3

USER NAME = andr00846	DESIGNED - JEC	REVISD -
PLLOT SCALE = 10x8.0000 '1' / in.	CHECKED - MAF	REVISD -
PLLOT DATE = 9/8/2015	DRAWN - GTJ	REVISD -
	CHECKED - MAF	REVISD -

STATE OF ILLINOIS
DEPARTMENT OF TRANSPORTATION

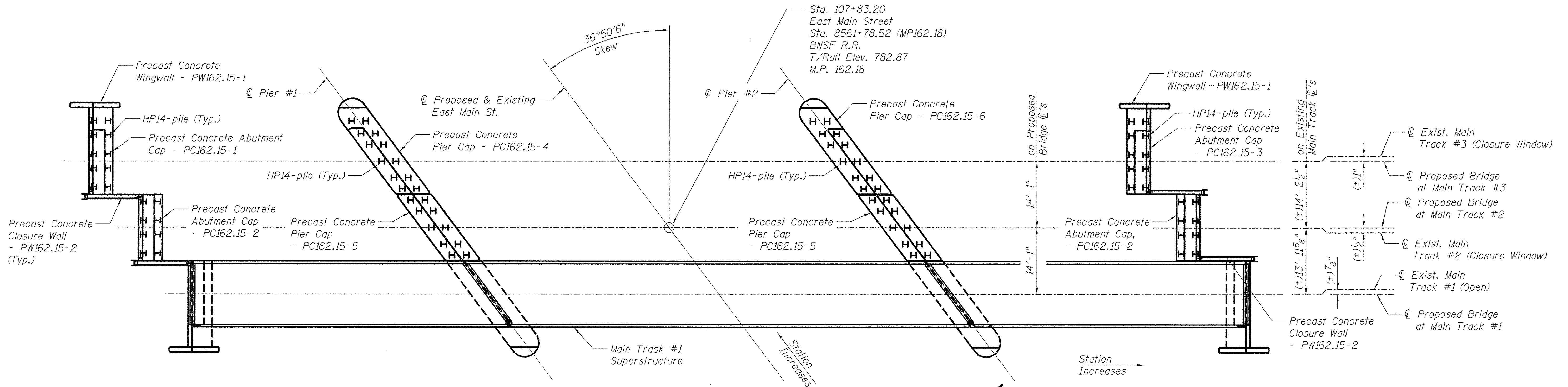
CONSTRUCTION SEQUENCE PLAN - STAGE II AND III
STRUCTURE 048-9928

SHEET NO. 6 OF 52 SHEETS

F.A.U. RTE. 6800	SECTION 05-00500-19-GS	COUNTY KNOX	TOTAL SHEETS 221	SHEET NO. 86
				CONTRACT NO. 89417
ILLINOIS FED. AID PROJECT				



© Copyright Hanson Professional Services Inc. 2015



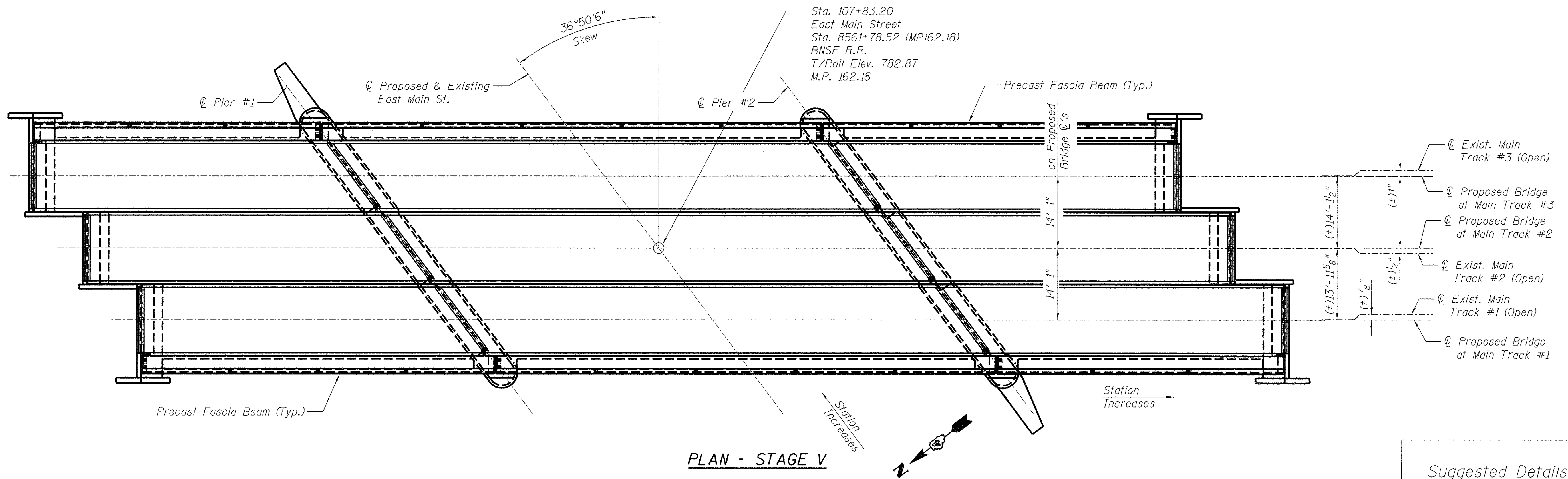
BILL OF MATERIAL - STAGE IV

ITEM	UNIT	TOTAL
Structure Excavation	Cu. Yd.	3,500

Note:
The cost of verification and removal of abandoned utilities shall be included in the unit price of "Structure Excavation".

PLAN - STAGE IV

Track #2 & #3 Superstructure not shown for clarity.



PLAN - STAGE V

Suggested Details Only,
Final Design and Details
by the Contractor

DESIGNED	JEC	5-22-15
DRAWN	GTJ	5-22-15
REVIEWED	MAF	5-29-15

\\sp1-svr306.hanson.dom\hanson_projects\Documents\09Jobs\09L0105\CAD-PhaseII\Struct\Sheet\048-9928-Construction_Sequence_Stage_4-5

USER NAME = ande-00846	DESIGNED - JEC	REVISED -
	CHECKED - MAF	REVISED -
PLOT SCALE = 100.0000 1" = 100'	DRAWN - GTJ	REVISED -
PLOT DATE = 9/8/2015	CHECKED - MAF	REVISED -

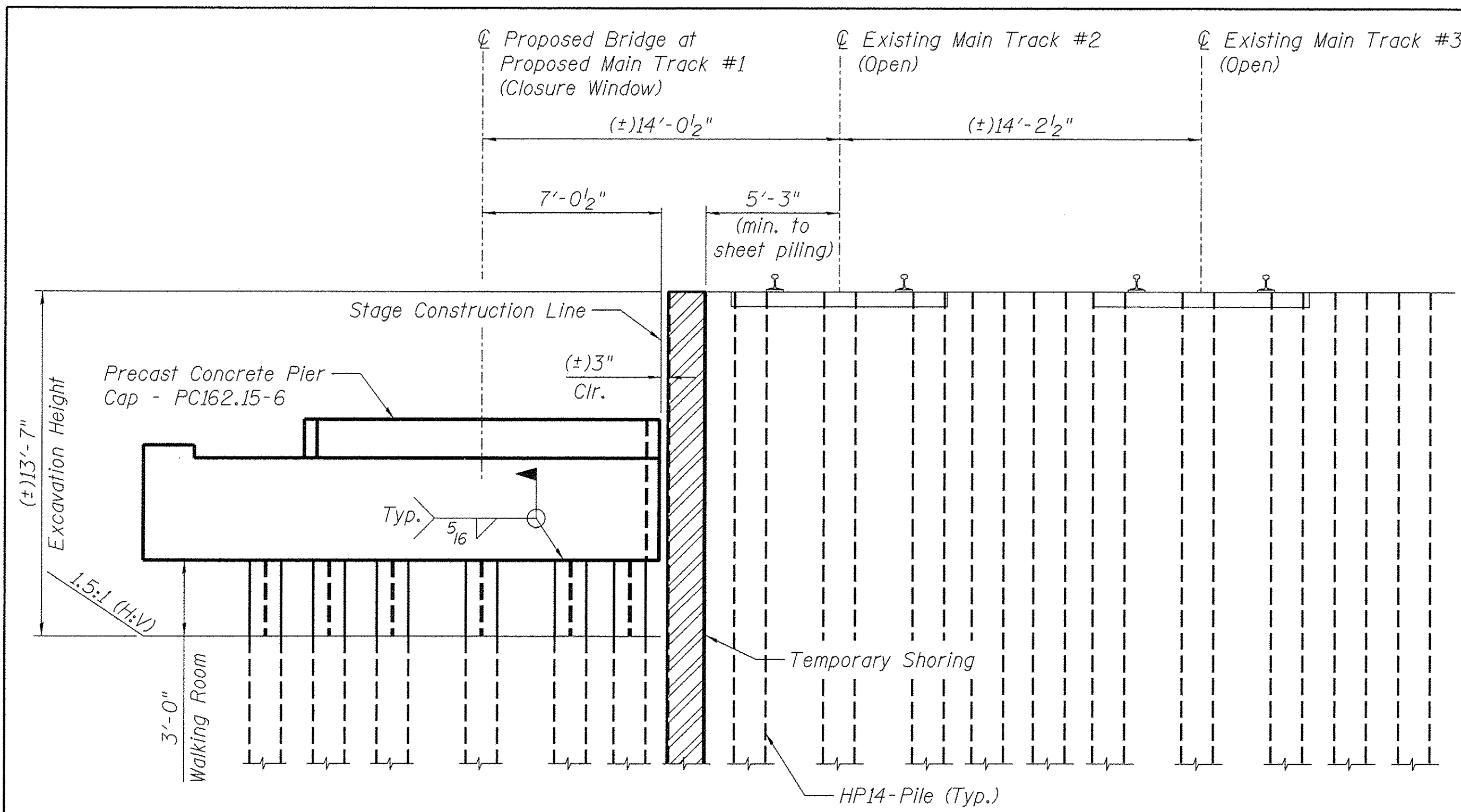
STATE OF ILLINOIS
DEPARTMENT OF TRANSPORTATION

CONSTRUCTION SEQUENCE PLAN - STAGE IV AND V
STRUCTURE 048-9928

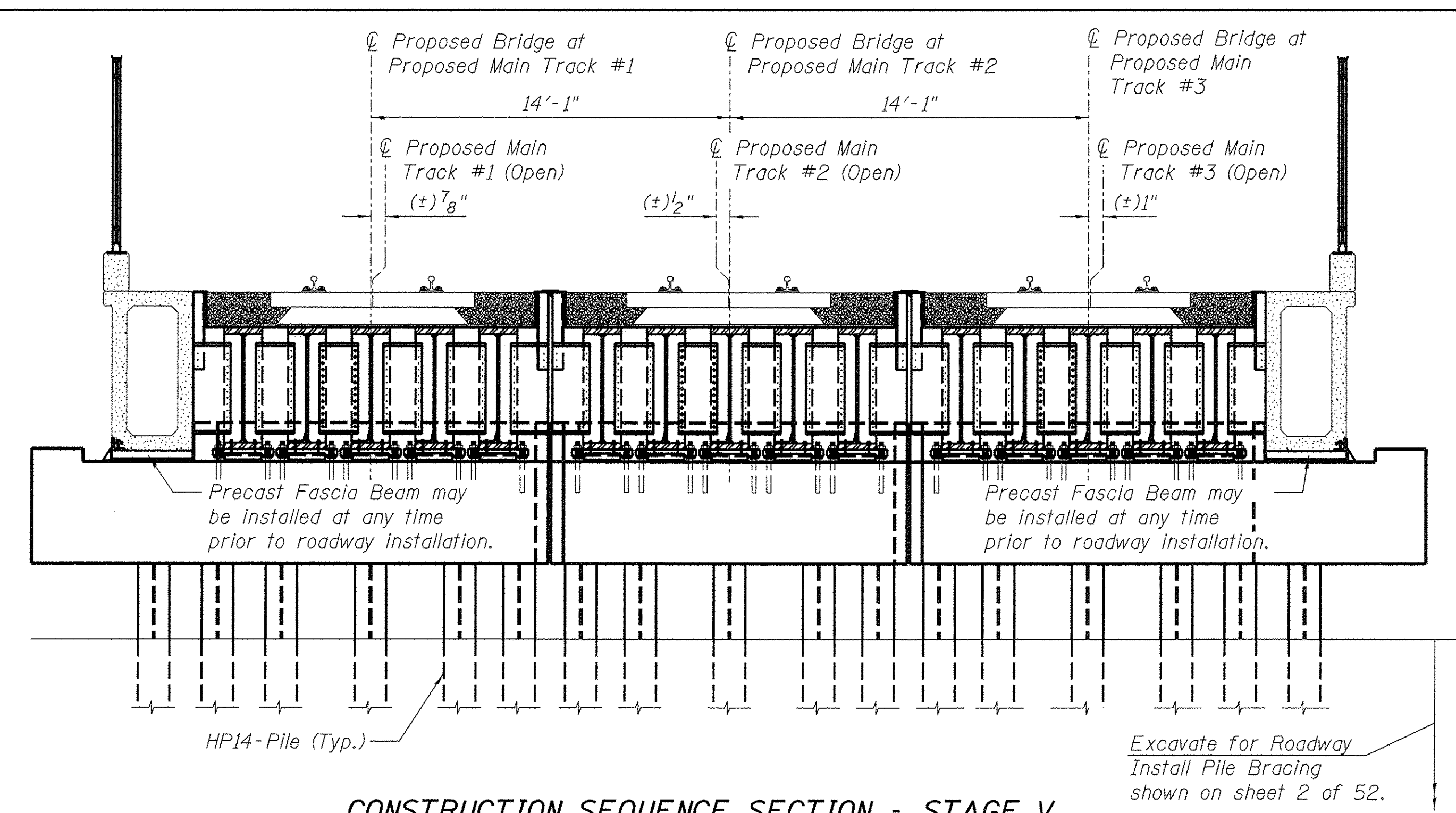
SHEET NO. 7 OF 52 SHEETS

F.A.U. RTE.	SECTION	COUNTY	TOTAL SHEETS	SHEET NO.
6800	05-00500-19-G5	KNOX	221	87
CONTRACT NO.			89417	

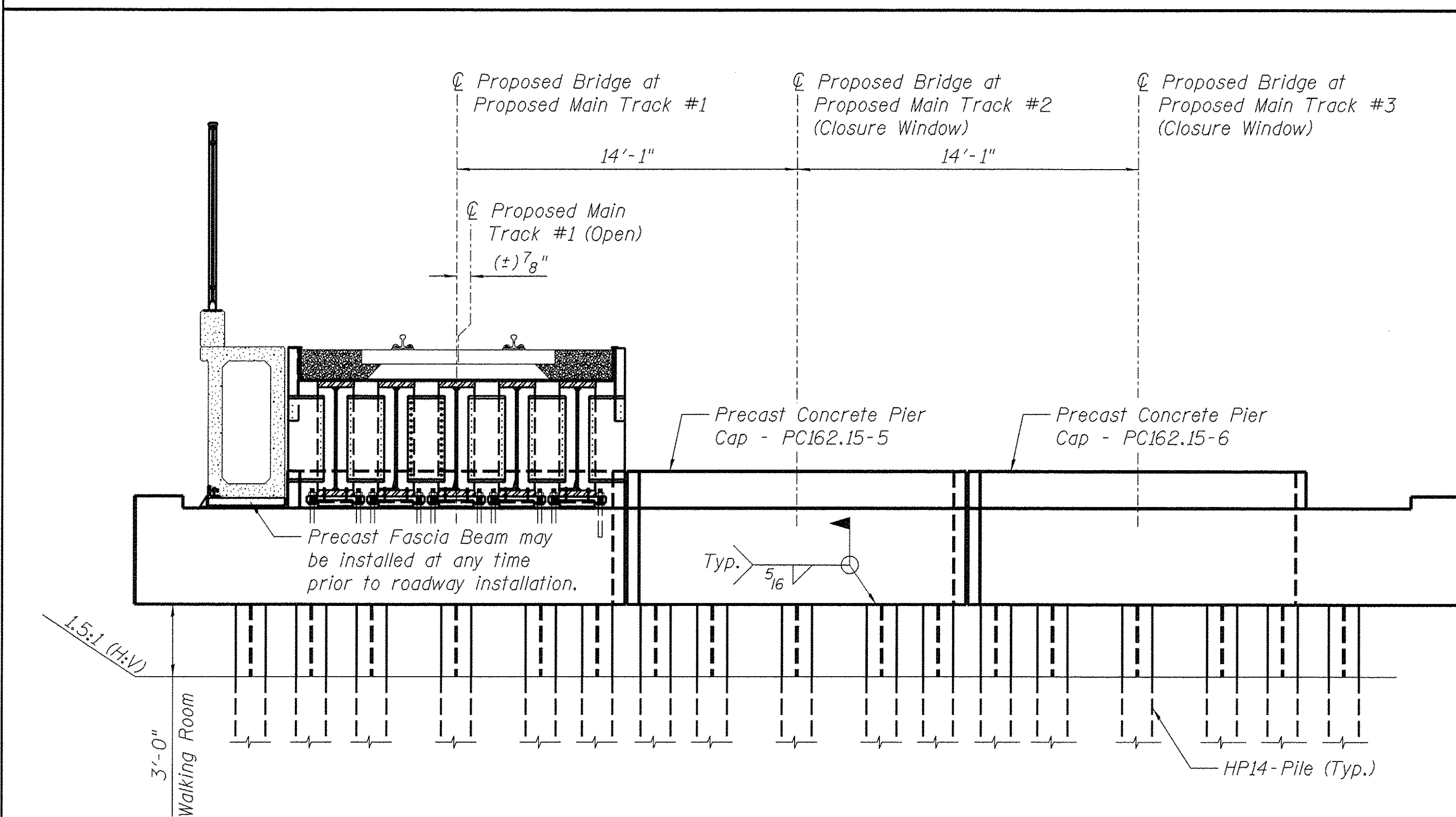
ILLINOIS FED. AID PROJECT



CONSTRUCTION SEQUENCE SECTION - STAGE III
(Looking North at Pier #1)



CONSTRUCTION SEQUENCE SECTION - STAGE V
(Looking North at Pier #1)



CONSTRUCTION SEQUENCE SECTION - STAGE IV
(Looking North at Pier #1)

*Suggested Details Only,
Final Design and Details
by the Contractor*

DESIGNED	JEC	5-22-15
DRAWN	GTJ	5-22-15
REVIEWED	MAF	5-29-15

p:\sp1-svr\306.hanson.dom\hanson_projects\Documents\09Jobs\09L0105\CAD-PhaseII\Struct\Sheet\0409L0105-Construction_Sequence_Sections

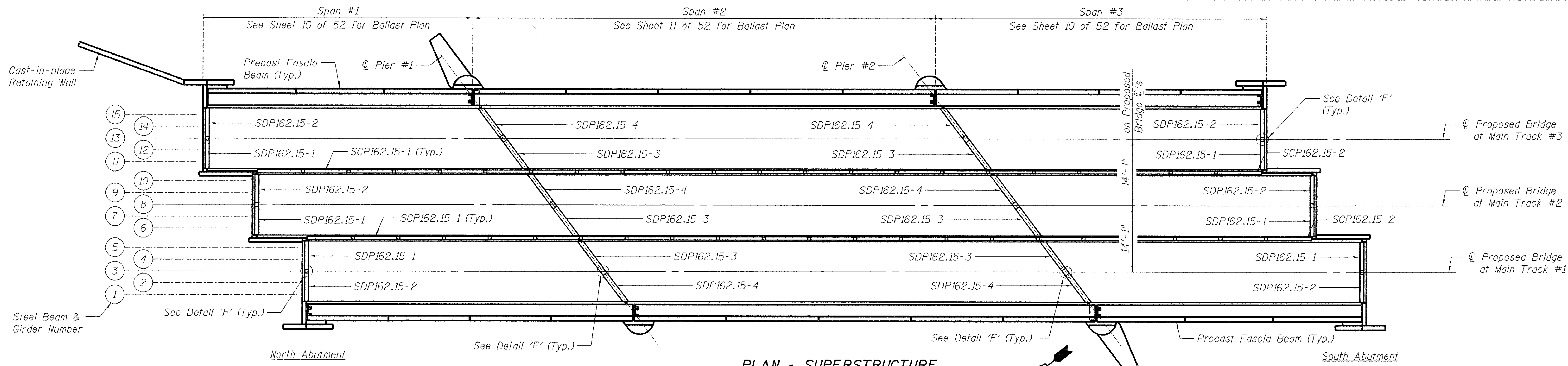


USER NAME =	ander00046	DESIGNED -	JEC	REVISED -	
PLOT SCALE =	4x0.0000 '1' / 1in.	CHECKED -	MAF	REVISED -	
PLOT DATE =	9/8/2015	DRAWN -	GTJ	REVISED -	
		CHECKED -	MAF	REVISED -	

**STATE OF ILLINOIS
DEPARTMENT OF TRANSPORTATION**

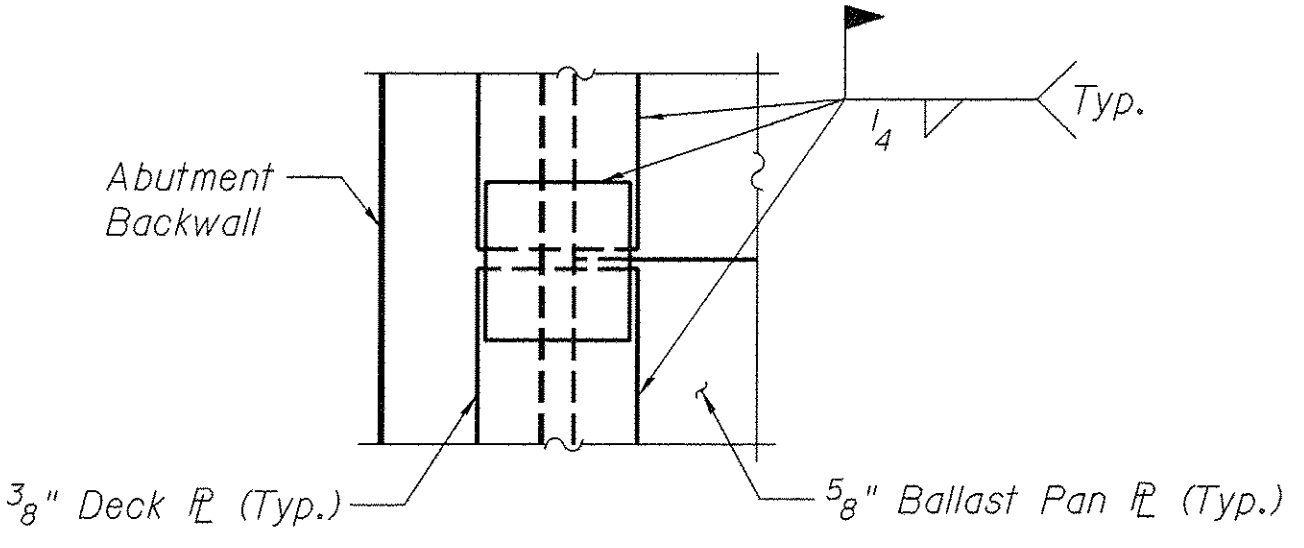
**CONSTRUCTION SEQUENCE STAGING SECTIONS
STRUCTURE 048-9928**
SHEET NO. 8 OF 52 SHEETS

F.A.U. RTE.	SECTION	COUNTY	TOTAL SHEETS	SHEET NO.
6800	05-00500-19-GS	KNOX	221	88
CONTRACT NO. 89417			ILLINOIS FED. AID PROJECT	

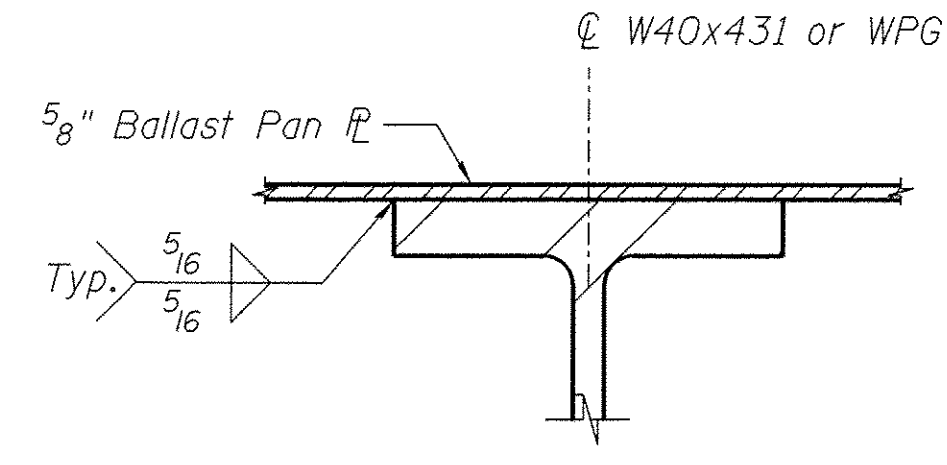


PLAN - SUPERSTRUCTURE

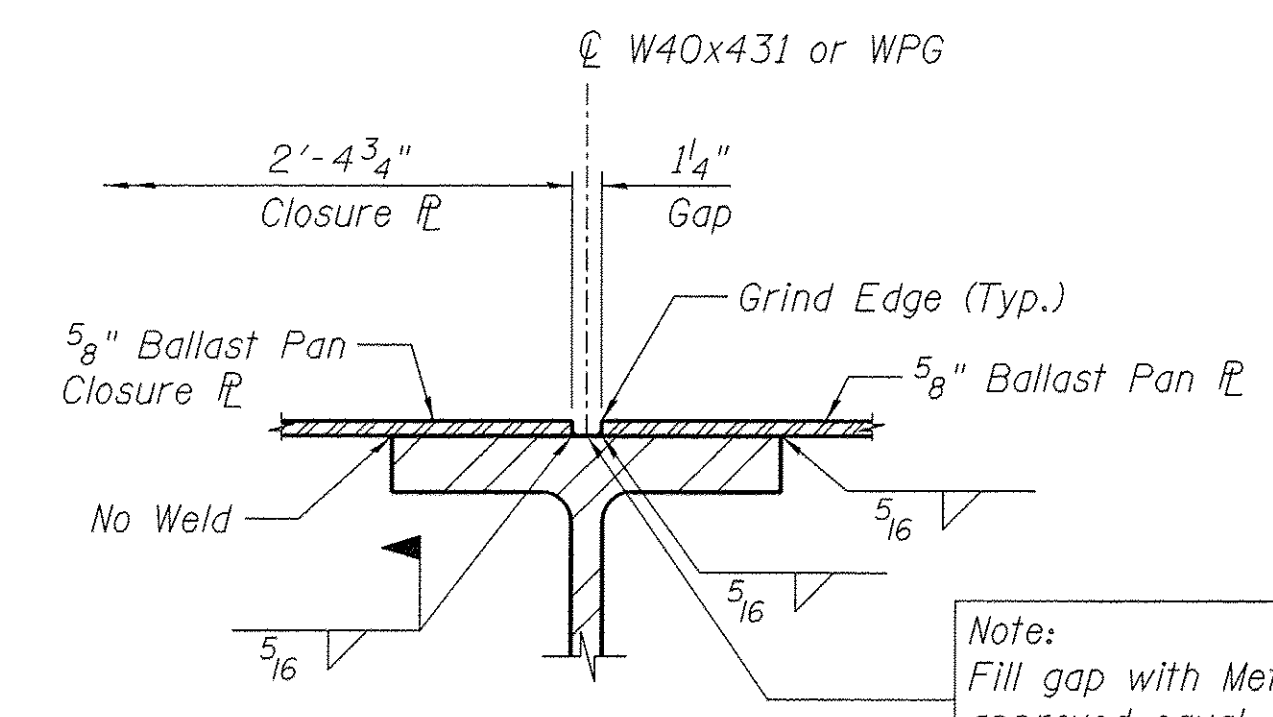
- Notes:
1. The superstructure shall be preassembled near bridge site to install in final position to expedite construction. Individual diaphragms at supports may be temporarily disconnected to install bearing anchor rods.
 2. See sheets 10 and 11 of 52 for location of sections.
 3. See sheet 46 of 52 for deck and curb plate details.
 4. After assembled span is in final position, all lifting devices shall be removed and the Waterproofing System shall be repaired or finished as needed.



DETAIL 'F'
(Abutment shown, Pier similar)

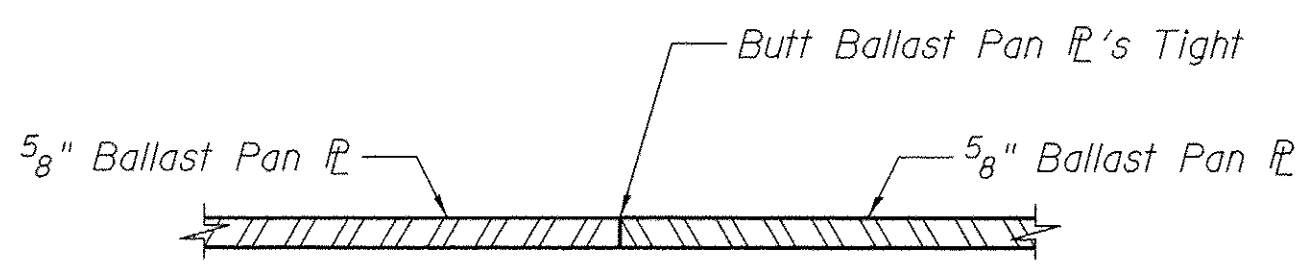


SECTION A-A

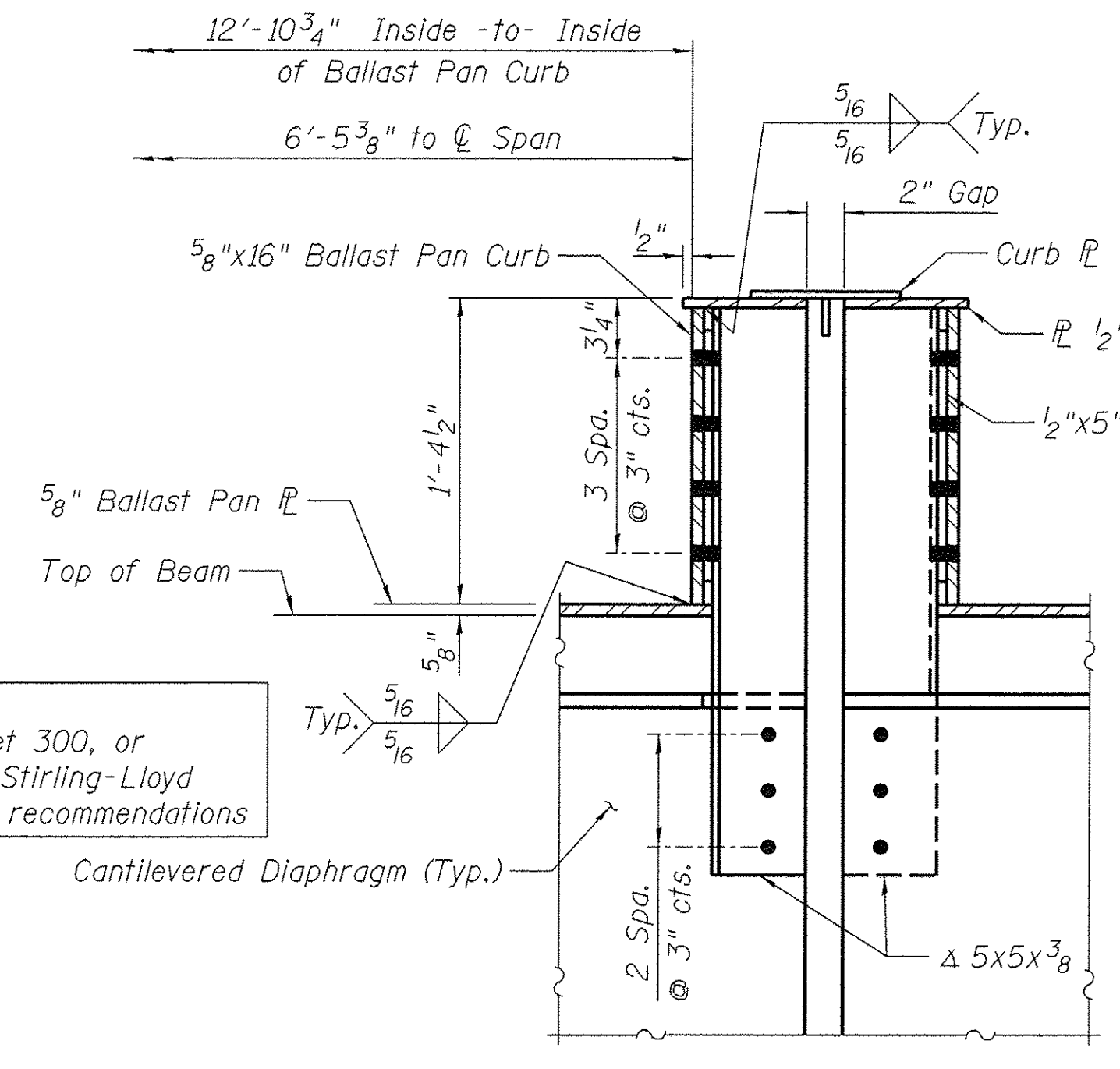


SECTION B-B

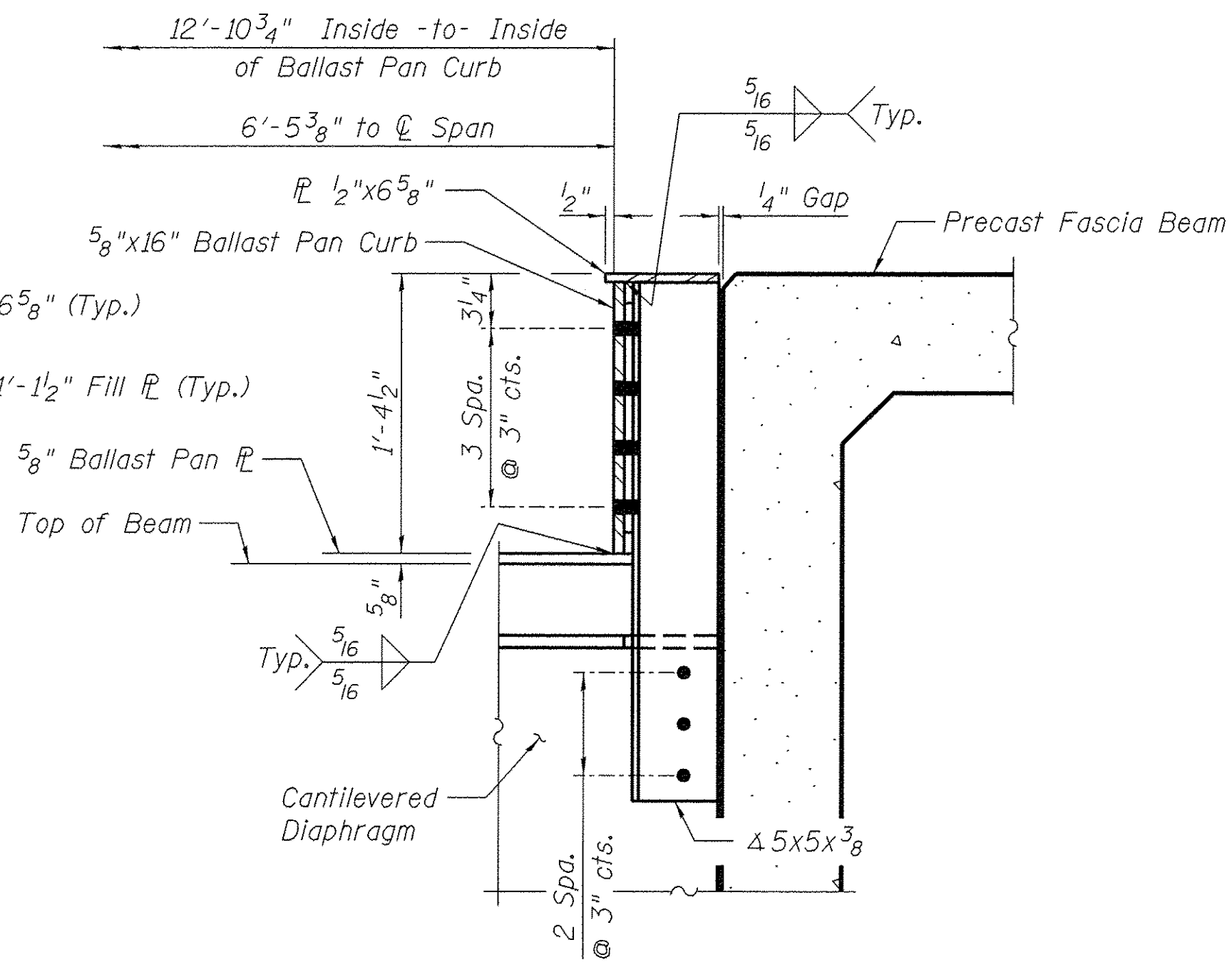
Note:
Fill gap with Metaset 300, or approved equal, by Stirling-Lloyd per manufacturer's recommendations



SECTION C-C



SECTION E-E



SECTION D-D

DESIGNED	5-22-15
DRAWN	GTJ
REVIEWED	MAF
	5-29-15

Path: \\sp-svr306.hanson.com\hanson_projects\Documents\09Jobs\09L0105\CAD-PhaseII\Struct\Sheet\0409L0105-Superstructure&Details

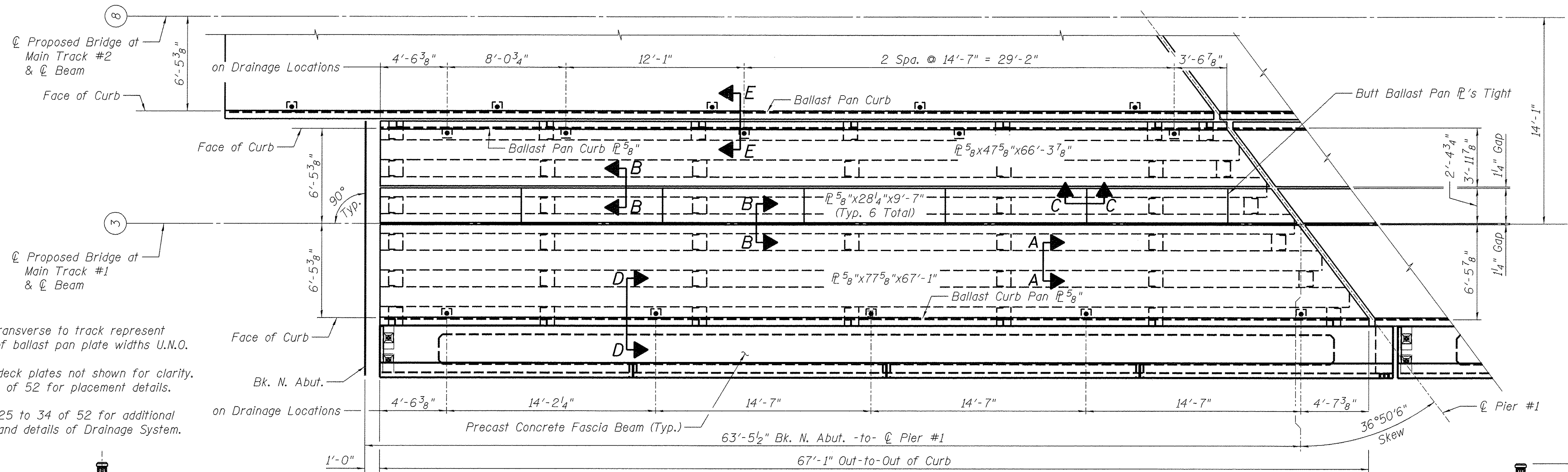
USER NAME =	ander00846	DESIGNED -	TDP	REVISED -	
		CHECKED -	MAF	REVISED -	
PLOT SCALE =	0:1.0000 '1' / in.	DRAWN -	GTJ	REVISED -	
PLOT DATE =	9/8/2015	CHECKED -	MAF	REVISED -	

**STATE OF ILLINOIS
DEPARTMENT OF TRANSPORTATION**

**SUPERSTRUCTURE AND DETAILS
STRUCTURE 048-9928**

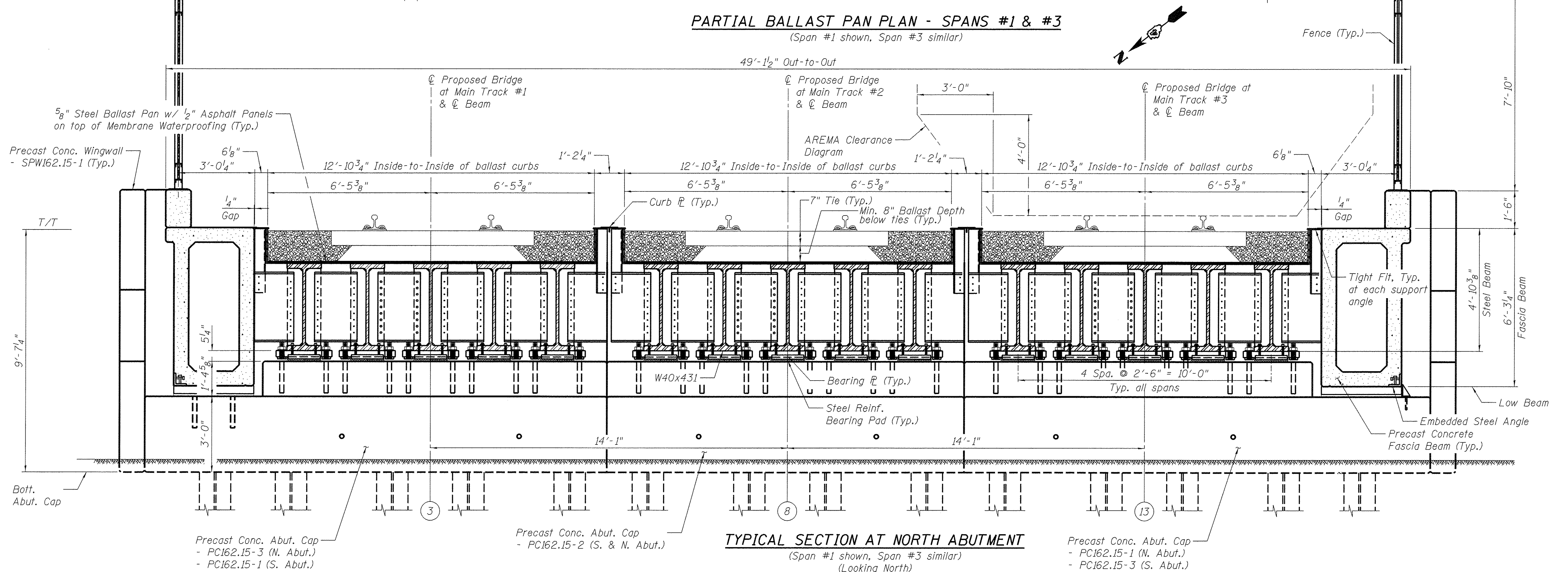
SHEET NO. 9 OF 52 SHEETS

F.A.U. RTE.	SECTION	COUNTY	TOTAL SHEETS	SHEET NO.
6800	05-00500-19-GS	KNOX	221	89
			CONTRACT NO. 89417	
ILLINOIS FED. AID PROJECT				



PARTIAL BALLAST PAN PLAN - SPANS #1 & #3
(Span #1 shown, Span #3 similar)

- Notes:
1. Dimensions transverse to track represent out-to-out of ballast pan plate widths U.N.O.
 2. Transverse deck plates not shown for clarity. See Sheet 9 of 52 for placement details.
 3. See Sheets 25 to 34 of 52 for additional information and details of Drainage System.



TYPICAL SECTION AT NORTH ABUTMENT
(Span #1 shown, Span #3 similar)
(Looking North)

DESIGNED	5-22-15
DRAWN	5-22-15
REVIEWED	5-29-15

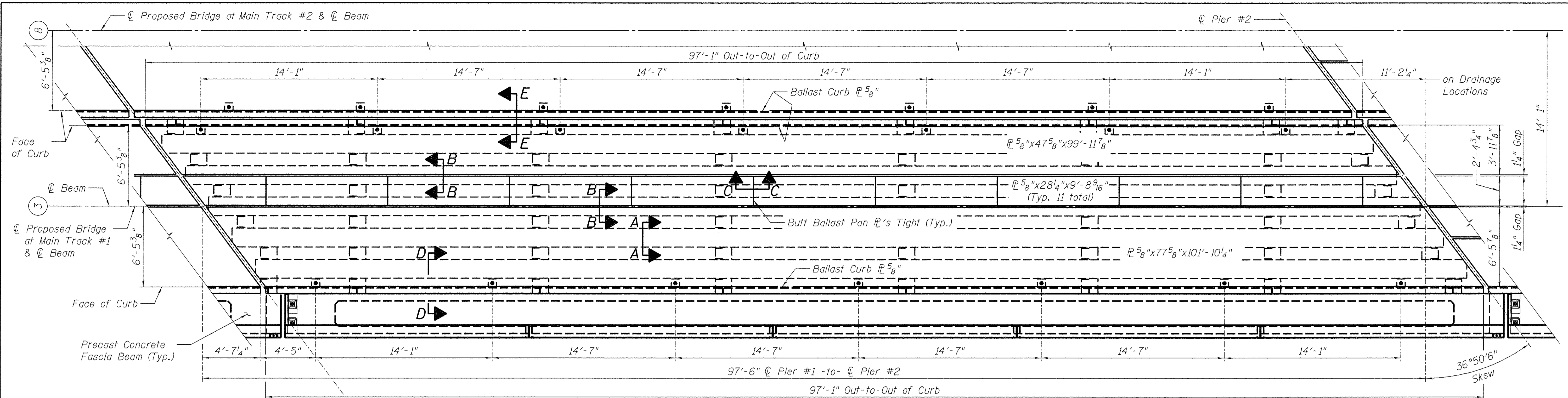
\\sp1-svr-306.hanson.dom.hanson.Projects\Documents\09\Jobs\09\0105\CAD-Phase1\Struct\Sheet\0489\0105-Ballast_Pan_1

USER NAME	- ander00846	DESIGNED	- TDP	REVISIONS	-
PLOT SCALE	= 4:0.0000 1" = 16'	CHECKED	- MAF	REVISIONS	-
PLOT DATE	= 9/8/2015	DRAWN	- GTJ	REVISIONS	-
		CHECKED	- MAF	REVISIONS	-

STATE OF ILLINOIS
DEPARTMENT OF TRANSPORTATION

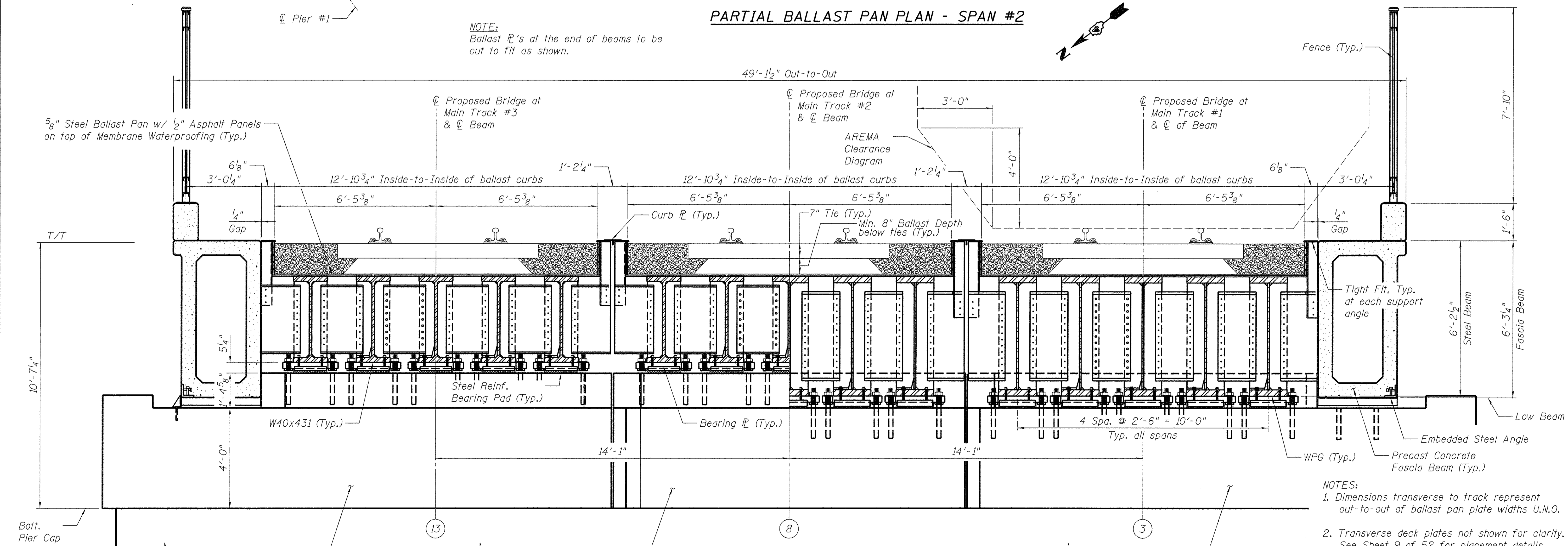
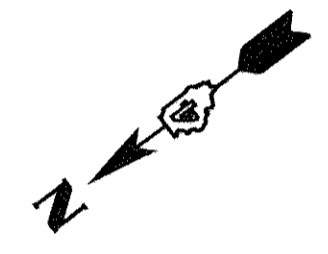
BALLAST PAN PLAN - SPAN #1 AND #3
STRUCTURE 048-9928
SHEET NO. 10 OF 52 SHEETS

F.A.U. RTE.	SECTION	COUNTY	TOTAL SHEETS	SHEET NO.
6800	05-00500-19-GS	KNOX	221	90
CONTRACT NO.			89417	



PARTIAL BALLAST PAN PLAN - SPAN #2

NOTE:
Ballast R's at the end of beams to be cut to fit as shown.



TYPICAL SECTION AT PIER #2

- NOTES:**
1. Dimensions transverse to track represent out-to-out of ballast pan plate widths U.N.O.
 2. Transverse deck plates not shown for clarity. See Sheet 9 of 52 for placement details.
 3. See Sheets 25 to 34 of 52 for additional information and details of Drainage System.

DESIGNED	TOP	5-22-15
DRAWN	GTJ	5-22-15
REVIEWED	MAF	5-23-15

USER NAME	= andr-00846
DESIGNED	- TDP
CHECKED	- MAF
DRAWN	- GTJ
REVIEWED	- MAF

REVISION	-
REVISION	-
REVISION	-
REVISION	-

STATE OF ILLINOIS
DEPARTMENT OF TRANSPORTATION

BALLAST PAN PLAN - SPAN #2
STRUCTURE 048-9928
SHEET NO. 11 OF 52 SHEETS

F.A.U. RTE.	SECTION	COUNTY	TOTAL SHEETS	SHEET NO.
6800	05-00500-19-GS	KNOX	221	91
CONTRACT NO.			89417	
ILLINOIS FED. AID PROJECT				

p:\sp1-svr\306.hanson.dom\hanson_projects\Documents\09Jobs\09L0105\CA0-Phase1\Struct\Sheet\0409L0105-Ballast_Pan_2



© Copyright Hanson Professional Services Inc. 2015

BEAM TABLE

Beam	Beam Length	℄ Brg.-to-Brg.	Diaphragm Connection ℄ Location
1, 6, 11	65'-9"	63'-9"	13'-2 1/4"
2, 7, 12	63'-10 1/2"	61'-10 1/2"	11'-3 3/4"
3, 8, 13	62'-0"	60'-0"	9'-5 1/4"
4, 9, 14	60'-1 1/2"	58'-1 1/2"	7'-6 3/4"
5, 10, 15	58'-3"	56'-3"	5'-8 1/4"

MOMENT & SHEAR TABLE - BEAM 1

DESCRIPTION	MOMENT	SHEAR
Dead Load	707 k-ft.	44 k
Live Load	1162 k-ft.	82 k
Impact	447 k-ft.	32 k
Total	2315 k-ft.	158 k
Section	W40x431	
Steel	A.S.T.M. A709 GR. 50 NTR Zone 2	
Net I	32,698 in. ⁴	
Net S (Bott.)	1,527 in. ³	
FST (Bott.)	16.9 ksi	
Gross I	34,487 in. ⁴	
Gross S (Top)	1,670 in. ³	
FSC (Top)	16.6 ksi	
(LL+I) Deflection	1.0 in	
Allowable (LL+I) Deflection	1.2 in	

I - Non-Composite moment of inertia of the steel section.

S - Non-Composite section modulus of the steel section.

FST - Max unfactored tension stress in steel section due to DL+LL+Impact.

FSC - Max unfactored compression stress in steel section due to DL+LL+Impact.

(NTR) - Impact Test Required

STEEL NOTES:

DEAD LOAD: (ASSUMED)

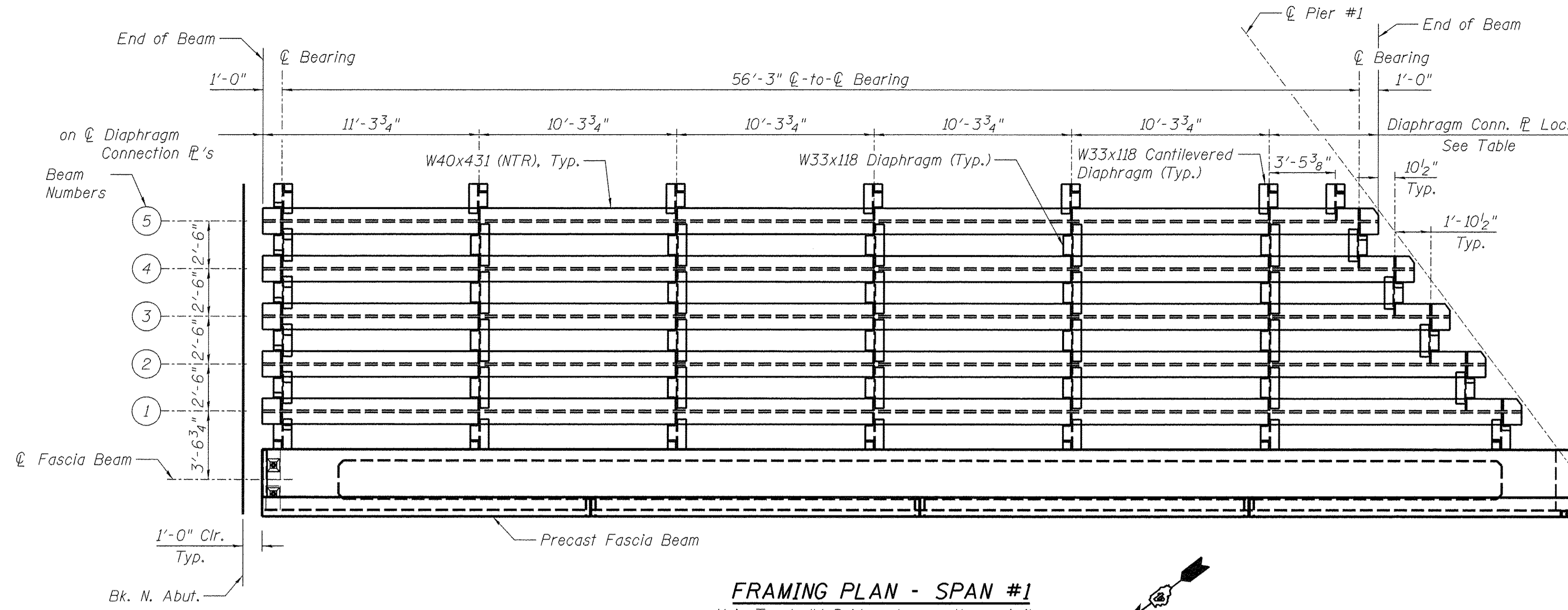
Rail	200
Ballast (8" plus ties)	1,950
Steel Deck & Curb	436
Waterproofing	50
Girders (incl. misc.)	2,371
Future Ballast, 15"	1,950
Total	6,957 Lbs. per Lin. Ft. of Track

PROPERTIES: (W40x431)

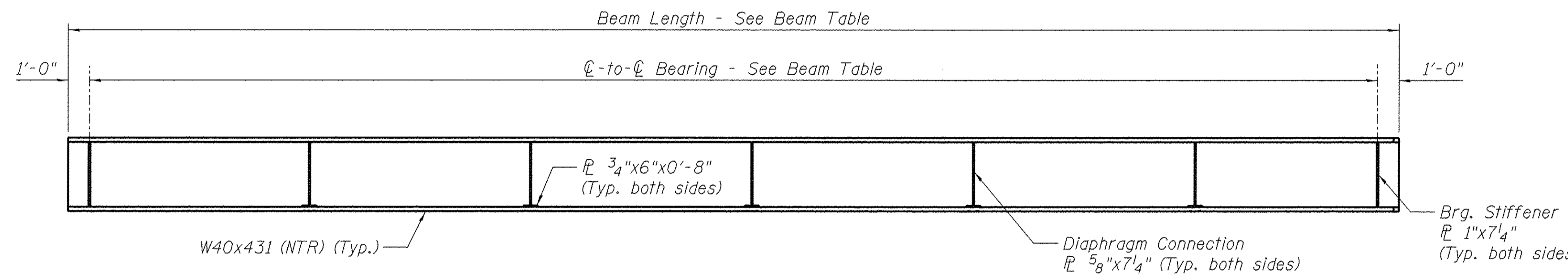
d = 41.3"	WEIGHTS:
bf = 16.2"	Single Beam = 30,000 lbs.
tf = 2.36"	2-Beam Set = 69,800 lbs.
tw = 1.34"	3-Beam Set = 111,900 lbs.
	5-Beam Set = 187,500 lbs.

Notes:

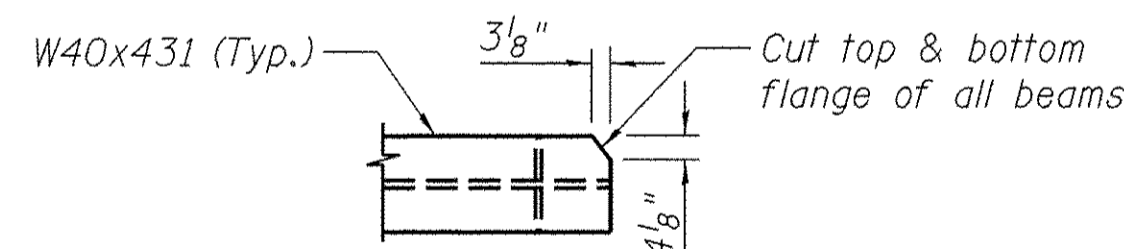
- Any beam camber shall be upward.
- See Sheet 2 of 52 for Steel Notes.
- See Sheet 25 to 34 of 52 for information on details of Drainage System and holes in cantilevered diaphragms.
- At option of the contractor, a welded plate girder can be used in lieu of the W40 section shown. The girder shall meet the design requirements noted on this page. Contractor shall submit calculations and details signed and sealed by a registered Structural Engineer in the State of Illinois to the Engineer for review and approval. Cost included in Furnishing and Erecting Structural Steel.



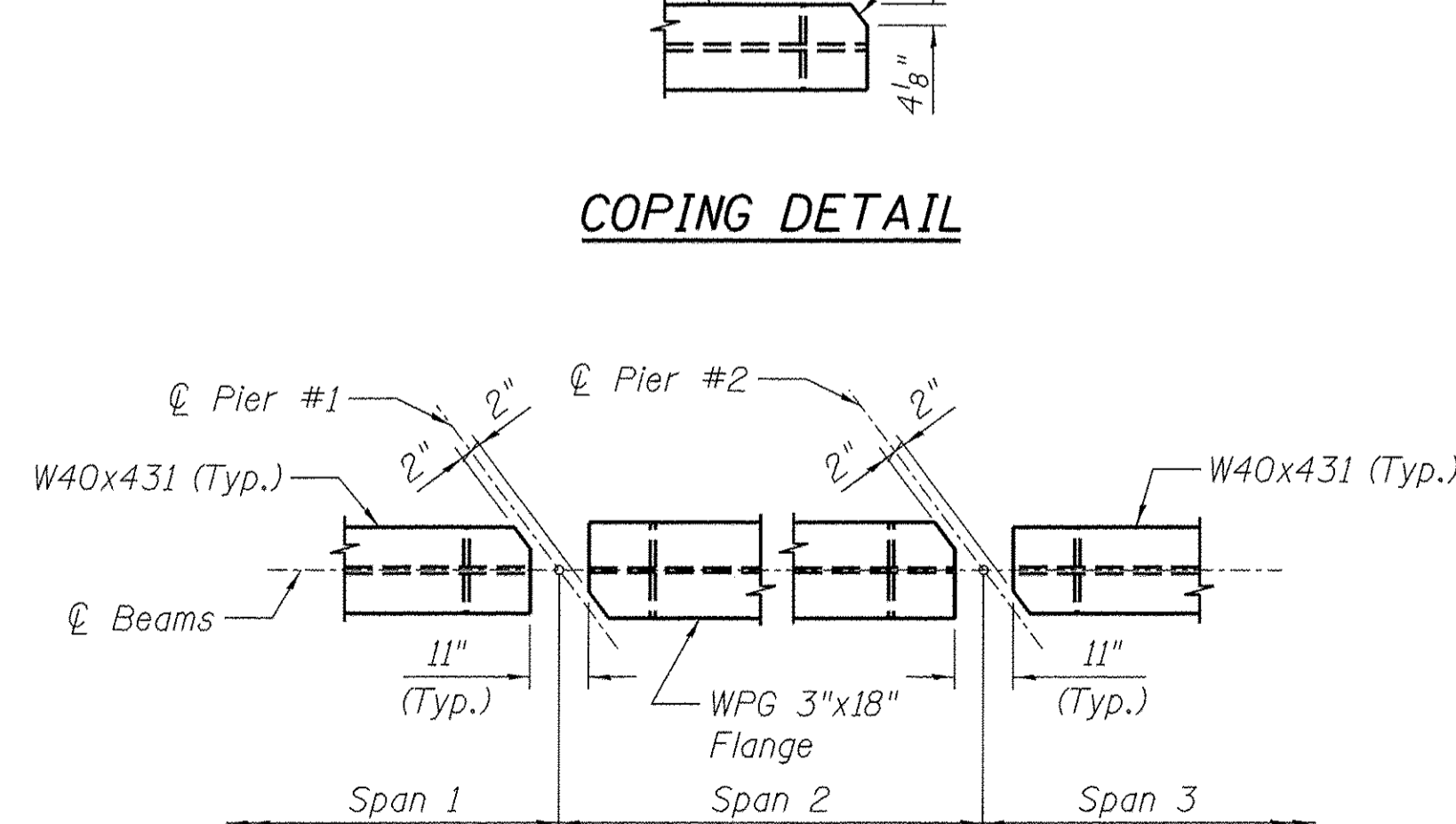
FRAMING PLAN - SPAN #1
Main Track #1 Bridge shown, others similar



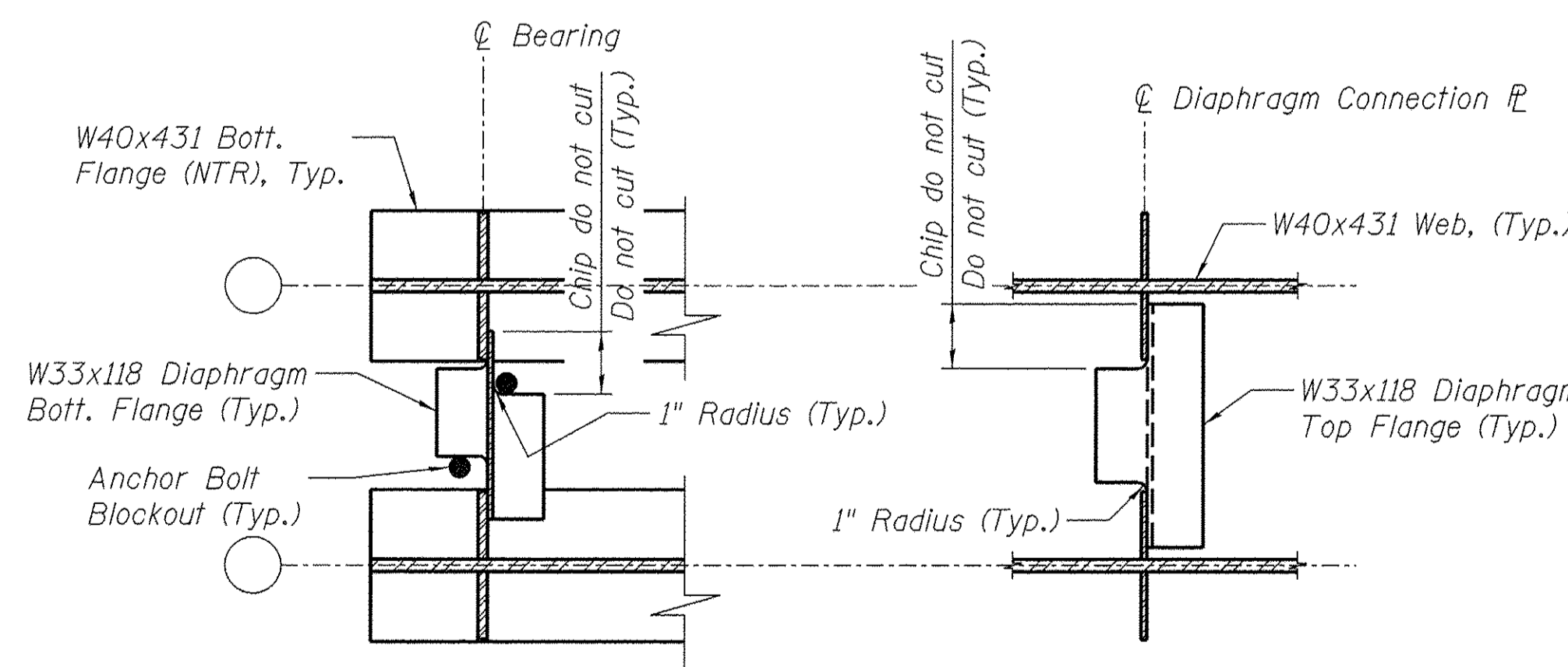
ELEVATION
(Beam Line 3 shown, others similar)



COPING DETAIL



TYPICAL JOINT DETAILS



BOTTOM FLANGE

TOP FLANGE

TYPICAL DIAPHRAGM COPE DETAILS
(Skewed end of deck similar)

DESIGNED	TDP	5-22-15
DRAWN	GTJ	5-22-15
REVIEWED	MAF	5-29-15

p:\sp1-svr\306.hanson.dom\hanson_projects\Documents\09Jobs\09L0105\CA0-PhaseII\Struct\Sheet\0409L0105-Framing_Plan.1



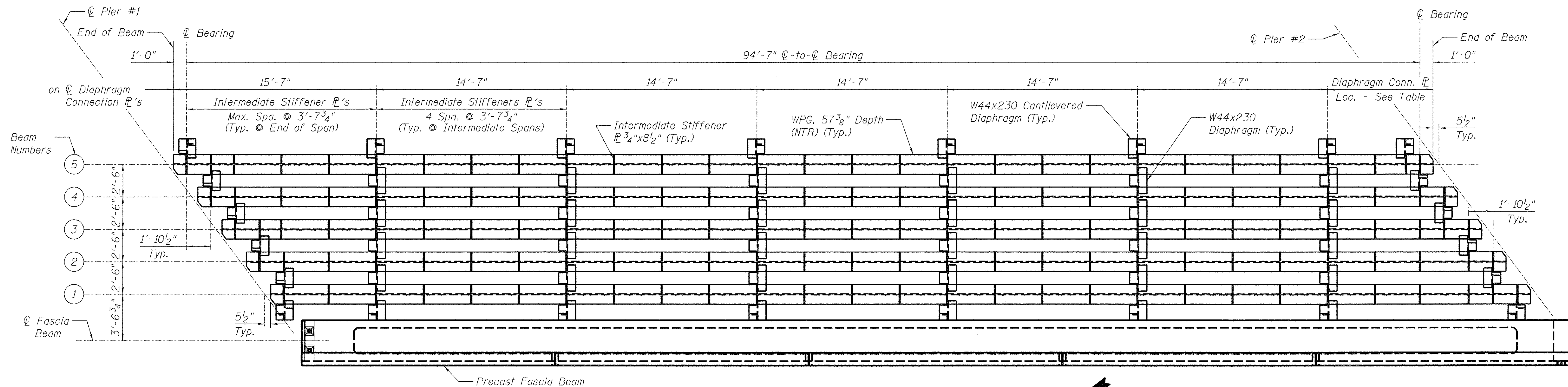
USER NAME = ande00846	DESIGNED - TDP	REVISD -
PLOT SCALE = 4:0.0000 1' = 1/4"	CHECKED - MAF	REVISD -
PLOT DATE = 9/8/2015	DRAWN - GTJ	REVISD -
	CHECKED - MAF	REVISD -

STATE OF ILLINOIS
DEPARTMENT OF TRANSPORTATION

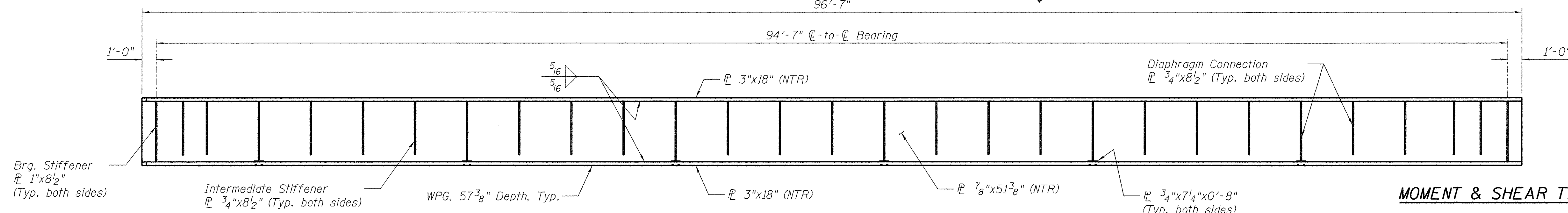
FRAMING PLAN - SPAN #1
STRUCTURE 048-9928

SHEET NO. 12 OF 52 SHEETS

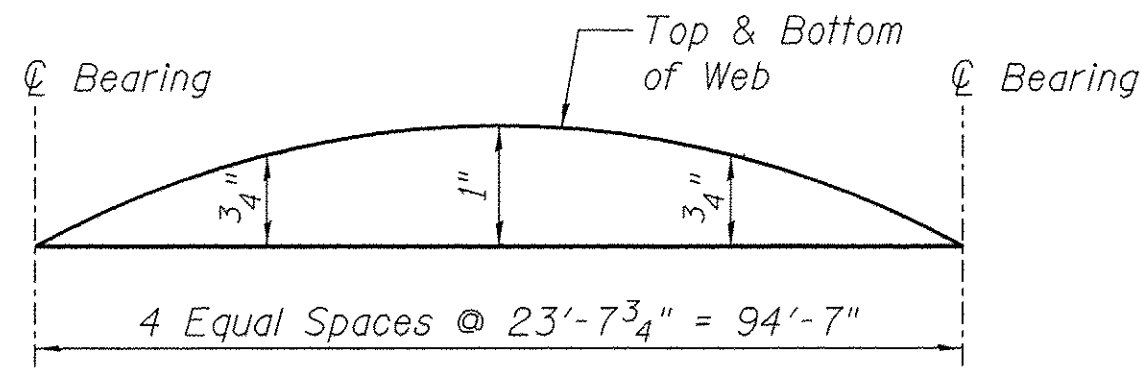
F.A.U. RTE.	SECTION	COUNTY	TOTAL SHEETS	SHEET NO.
6800	05-00500-19-GS	KNOX	221	92
				CONTRACT NO. 89417
ILLINOIS FED. AID PROJECT				



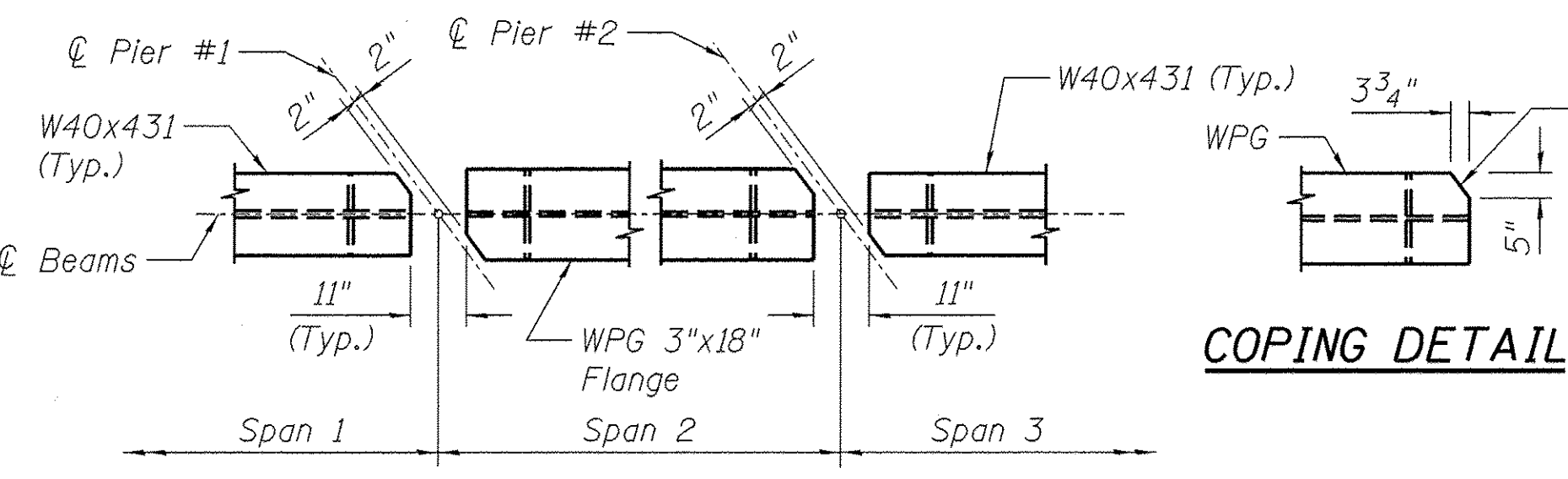
FRAMING PLAN - SPAN #2
Main Track #1 Bridge shown, others similar



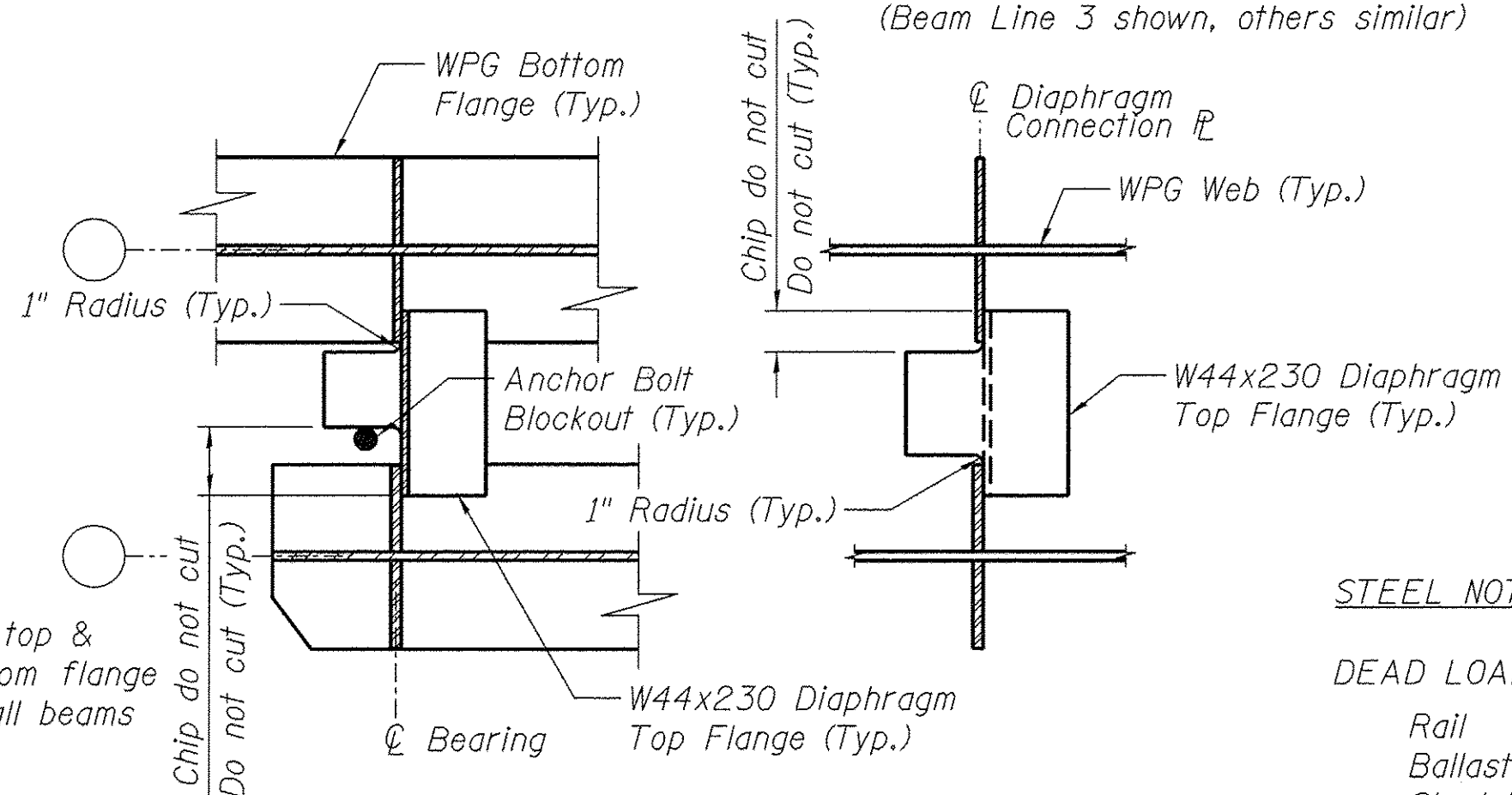
BEAM ELEVATION
(Beam Line 3 shown, others similar)



CAMBER DIAGRAM
Camber calculated for Dead Load



TYPICAL JOINT DETAILS



TYPICAL DIAPHRAGM COPE DETAILS

BEAM TABLE

Beam	Diaphragm Conn. Loc.
1, 6, 11	15'-7"
2, 7, 12	13'-8 1/2"
3, 8, 13	11'-10"
4, 9, 14	9'-11 1/2"
5, 10, 15	8'-1"

WEIGHTS:
 Single Beam = 56,100 lbs.
 2-Beam Set = 141,800 lbs.
 3-Beam Set = 210,800 lbs.
 5-Beam Set = 361,600 lbs.

STEEL NOTES:

DEAD LOAD: (ASSUMED)

Rail	200
Ballast (8" plus ties)	1,950
Steel Deck & Curb	431
Waterproofing	50
Girders (incl. misc.)	2,863
Future Ballast, 15"	1,950
Total	7,444 Lbs. per Lin. Ft. of Track

MOMENT & SHEAR TABLE

DESCRIPTION	MOMENT	SHEAR
Dead Load	1,665 k-ft.	70 k
Live Load	2,339 k-ft.	115 k
Impact	801 k-ft.	39 k
Total	4,804 k-ft.	224 k
Steel	A.S.T.M. A709 GR. 50 NTR Zone 2	
Net I	85,362 in. ⁴	
Net S (Bott.)	2,865 in. ³	
FST (Bott.)	18.6 ksi	
Gross I	89,798 in. ⁴	
Gross S (Top)	3,130 in. ³	
FSC (Top)	18.4 ksi	
(LL+I) Deflection	1.7 in.	
Allowable (LL+I) Deflection	1.8 in.	

I - Non-Composite moment of inertia of the steel section.

S - Non-Composite section modulus of the steel section.

FST - Max unfactored tension stress in steel section due to DL+LL+Impact.

FSC - Max unfactored compression stress in steel section due to DL+LL+Impact.

(NTR) - Impact Test Required

DESIGNED	TDP	5-22-15
DRAWN	GTJ	5-22-15
REVIEWED	MAF	5-29-15

p:\sp1-svr\306.hanson.dom\hanson_projects\Documents\09Jobs\09L0105\CAD-Phase1\Struct\Sheet\048-9928-Framing_Plan_2



USER NAME = ande00846	DESIGNED - TDP	REVISED -
PLOT SCALE = 4:0.0000 1' = 1/4" in.	CHECKED - MAF	REVISED -
PLOT DATE = 9/8/2015	DRAWN - GTJ	REVISED -
	CHECKED - MAF	REVISED -

STATE OF ILLINOIS
DEPARTMENT OF TRANSPORTATION

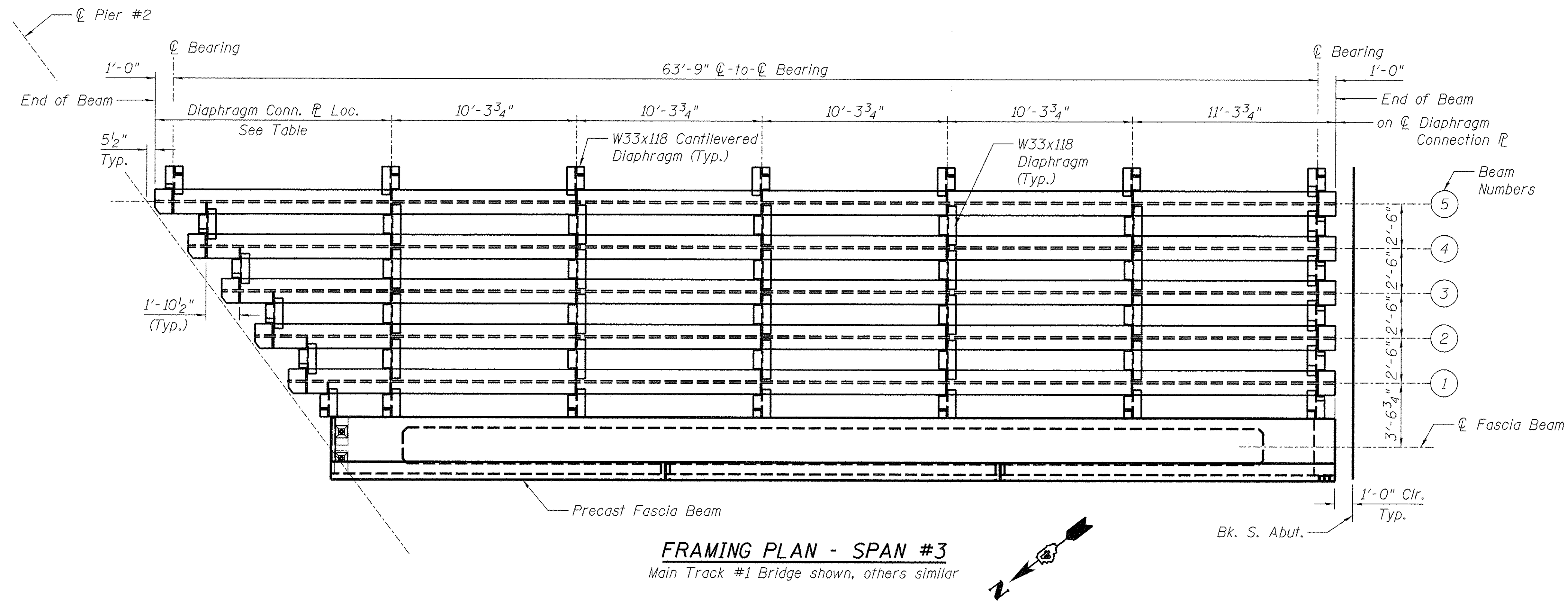
FRAMING PLAN - SPAN #2
STRUCTURE 048-9928

SHEET NO. 13 OF 52 SHEETS

F.A.U. RTE.	SECTION	COUNTY	TOTAL SHEETS	SHEET NO.
6800	05-00500-19-GS	KNOX	221	93

CONTRACT NO. 89417

ILLINOIS FED. AID PROJECT



Beam	Beam Length	℄ Brg.-to-Brg.	Diaphragm Connection ℄ Location
1, 6, 11	58'-3"	56'-3"	5'-8 1/4"
2, 7, 12	60'-1 1/2"	58'-1 1/2"	7'-6 3/4"
3, 8, 13	62'-0"	60'-0"	9'-5 1/4"
4, 9, 14	63'-10 1/2"	61'-10 1/2"	11'-3 3/4"
5, 10, 15	65'-9"	63'-9"	13'-2 1/4"

MOMENT & SHEAR TABLE - BEAM 5

DESCRIPTION	MOMENT	SHEAR
Dead Load	707 k-ft.	44 k
Live Load	1162 k-ft.	82 k
Impact	447 k-ft.	32 k
Total	2315 k-ft.	158 k
Section	W40x431	
Steel	A.S.T.M. A709 GR. 50 NTR Zone 2	
Net I	32,698 in. ⁴	
Net S (Bott.)	1,527 in. ³	
FST (Bott.)	16.9 ksi	
Gross I	34,487 in. ⁴	
Gross S (Top)	1,670 in. ³	
FSC (Top)	16.6 ksi	
(LL+I) Deflection	1.0 in	
Allowable (LL+I) Deflection	1.2 in	

I - Non-Composite moment of inertia of the steel section.
 S - Non-Composite section modulus of the steel section.
 FST - Max unfactored tension stress in steel section due to DL+LL+Impact.
 FSC - Max unfactored compression stress in steel section due to DL+LL+Impact.
 (NTR) - Impact Test Required

STEEL NOTES:

DEAD LOAD: (ASSUMED)

Rail	200
Ballast (8" plus ties)	1,950
Steel Deck & Curb	436
Waterproofing	50
Girders (incl. misc.)	2,371
Future Ballast, 15"	1,950
Total	6,957 Lbs. per Lin. Ft. of Track

PROPERTIES: (W40x431)

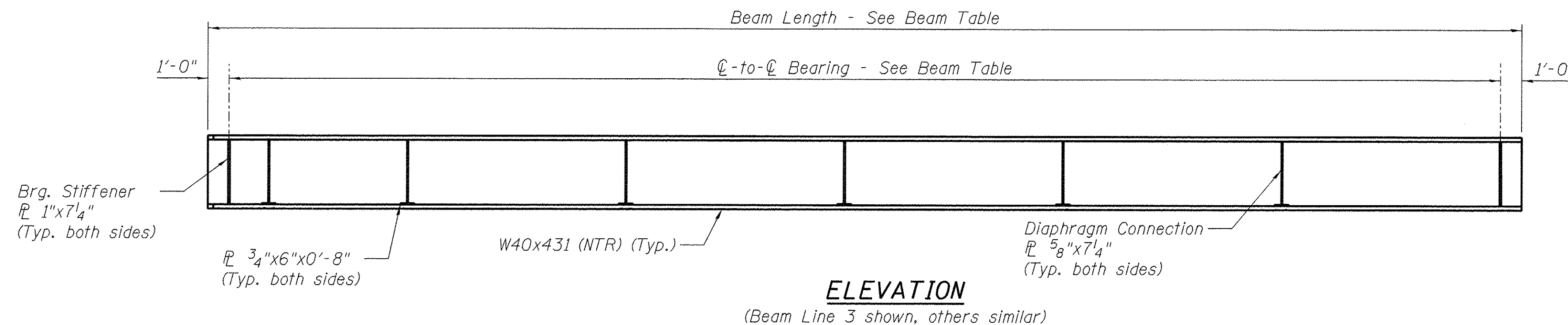
d = 41.3"
 bf = 16.2"
 tf = 2.36"
 tw = 1.34"

WEIGHTS:

Single Beam = 30,000 lbs.
 2-Beam Set = 69,800 lbs.
 3-Beam Set = 111,900 lbs.
 5-Beam Set = 187,500 lbs.

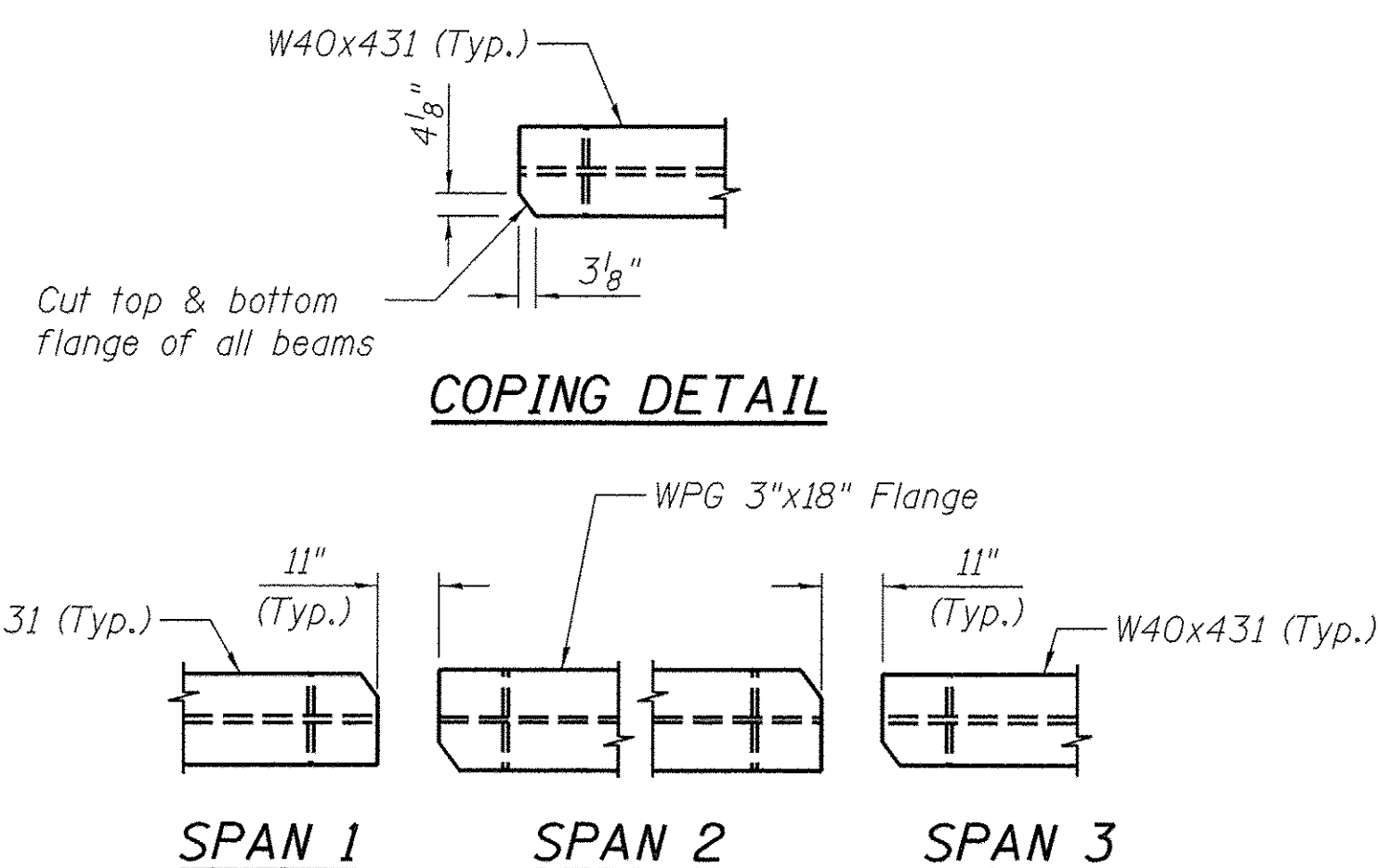
Notes:

- Any beam camber shall be upward.
- See Sheet 2 of 52 for Steel Notes.
- See Sheet 25 to 34 of 52 for information on details of Drainage System and holes in cantilevered diaphragms.
- At option of the contractor, a welded plate girder can be used. The girder shall meet the design requirements noted on this page. Contractor shall submit calculations and details signed and sealed by a registered Structural Engineer in the State of Illinois to the Engineer for review and approval. Cost included in Furnishing and Erecting Structural Steel.

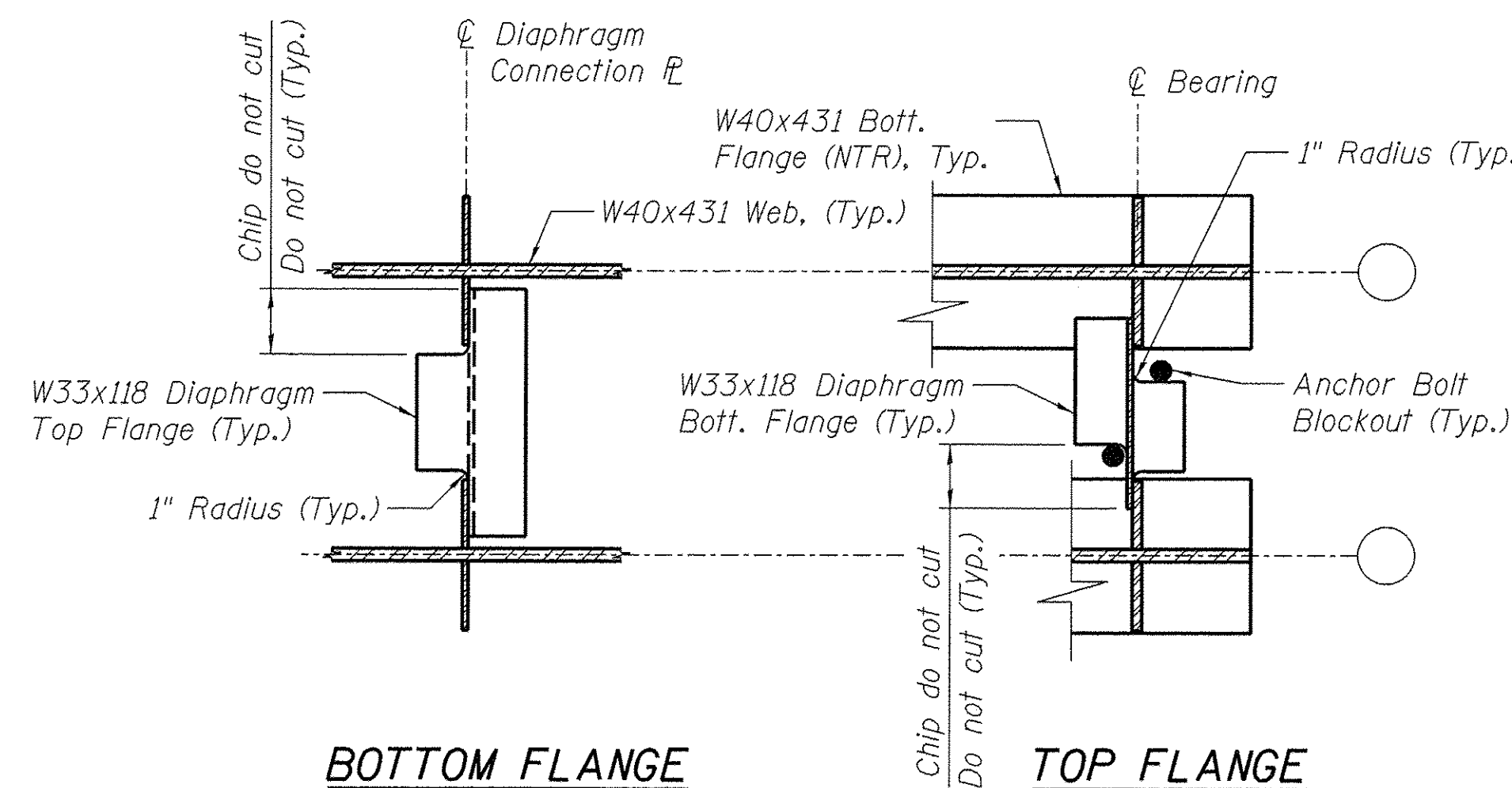


ELEVATION

(Beam Line 3 shown, others similar)



TYPICAL JOINT DETAILS



BOTTOM FLANGE

TOP FLANGE

TYPICAL DIAPHRAGM COPE DETAILS

(Skewed end of deck similar)

DESIGNED	TOP	5-22-15
DRAWN	GTJ	5-22-15
REVIEWED	MAF	5-29-15

px:\sp1-svr-306.hanson.domitension Projects\Documents\09Jobs\09L0105\CA0-PhaseII\Struct\Sheet\0409L0105-Framing-Plan-3



USER NAME = ande00846	DESIGNED - TDP	REVISED -
PLOT SCALE = 40.0000 1' = 1 in.	CHECKED - MAF	REVISED -
PLOT DATE = 9/8/2015	DRAWN - GTJ	REVISED -
	CHECKED - MAF	REVISED -

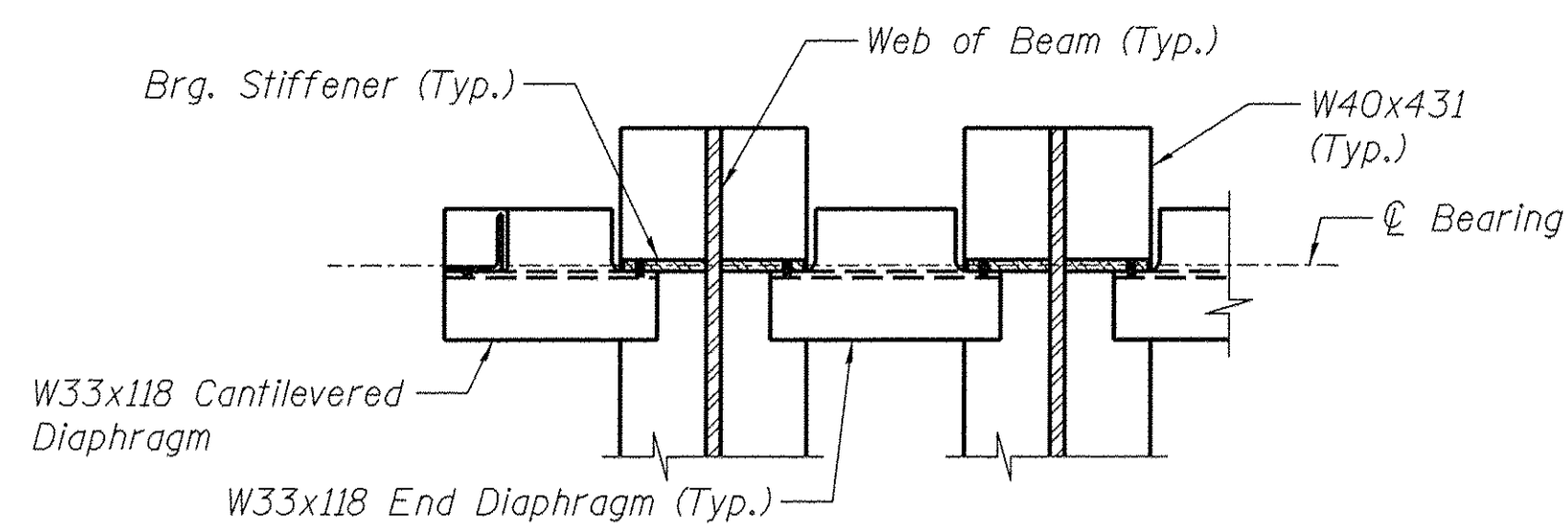
STATE OF ILLINOIS
 DEPARTMENT OF TRANSPORTATION

FRAMING PLAN - SPAN #3
 STRUCTURE 048-9928

SHEET NO. 14 OF 52 SHEETS

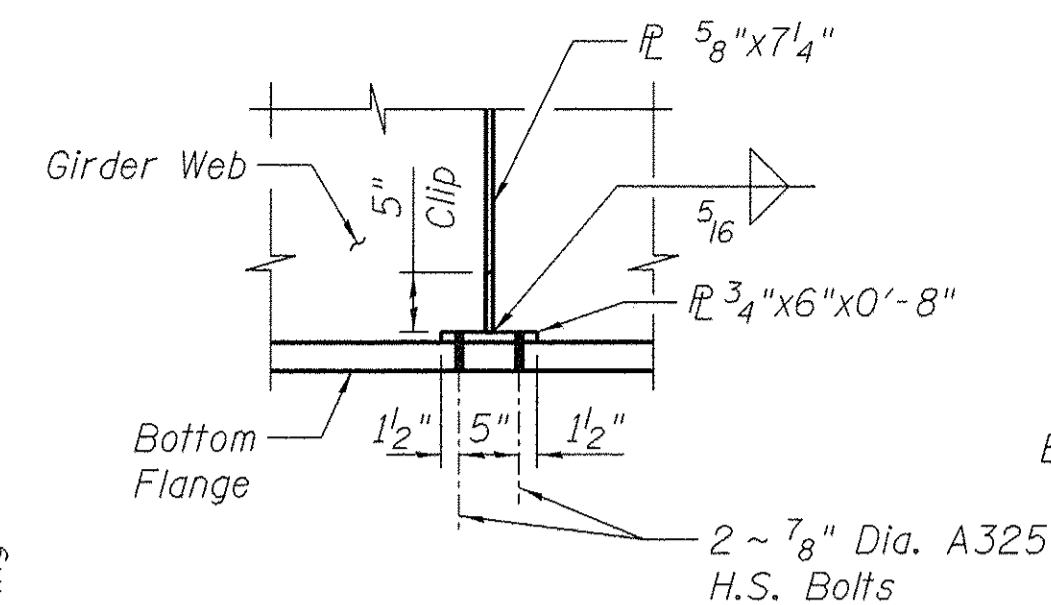
F.A.U. RTE.	SECTION	COUNTY	TOTAL SHEETS	SHEET NO.
6800	05-00500-19-GS	KNOX	221	94
CONTRACT NO.			89417	

ILLINOIS FED. AID PROJECT

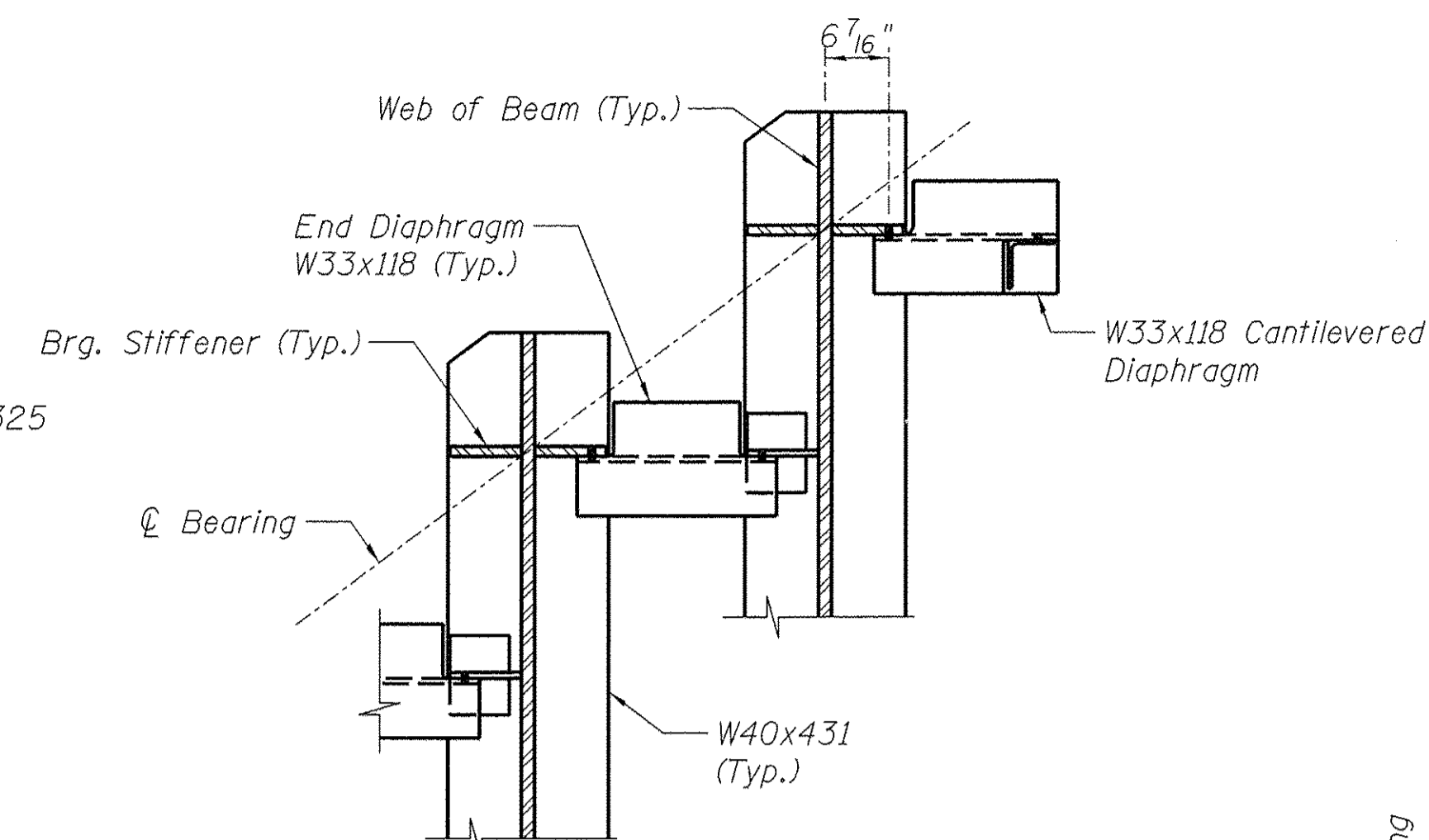


VIEW A-A

Top Flanges not shown for clarity.

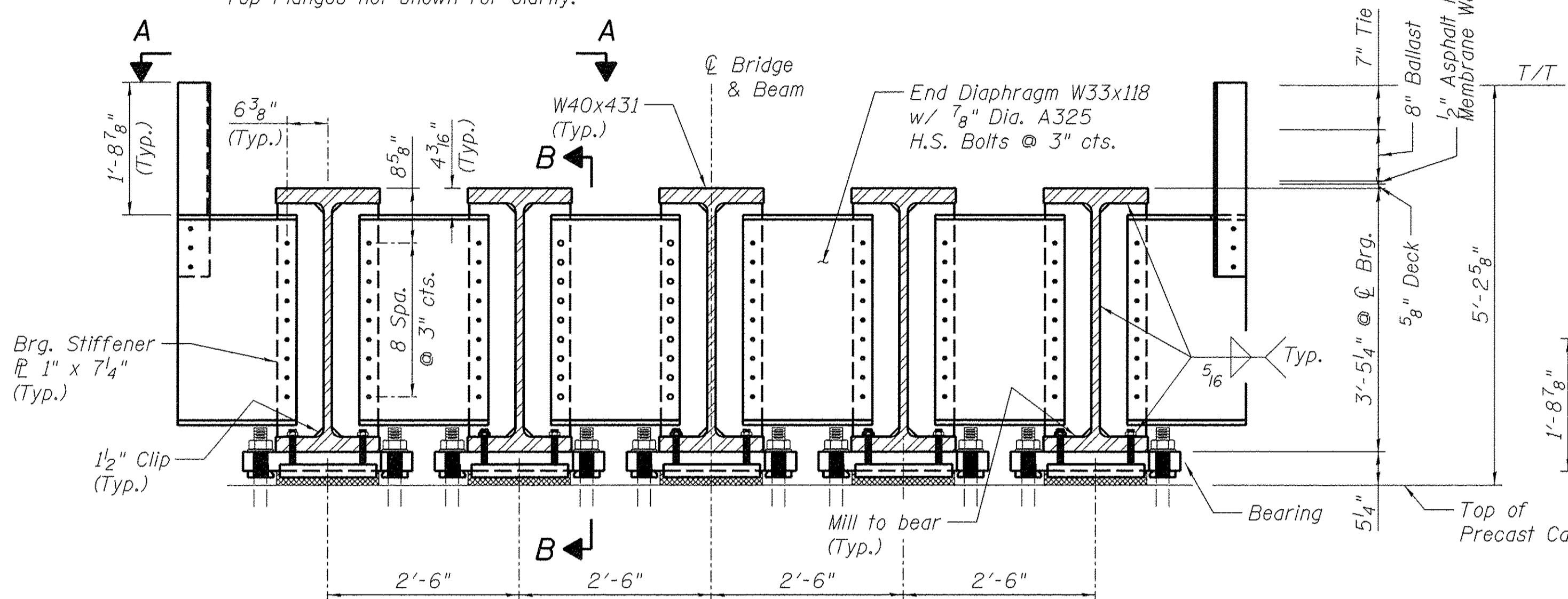


VIEW E-E



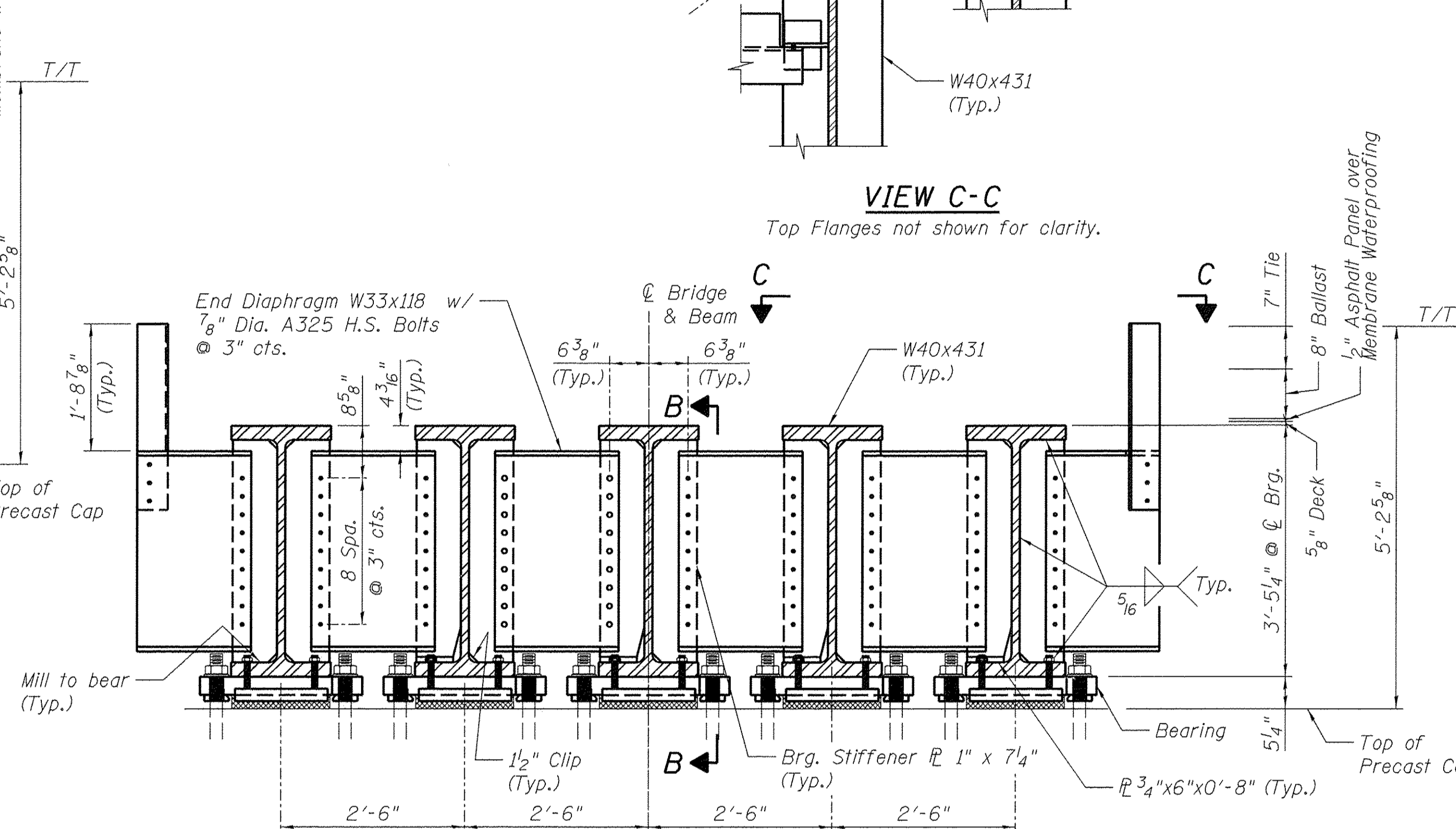
VIEW C-C

Top Flanges not shown for clarity.



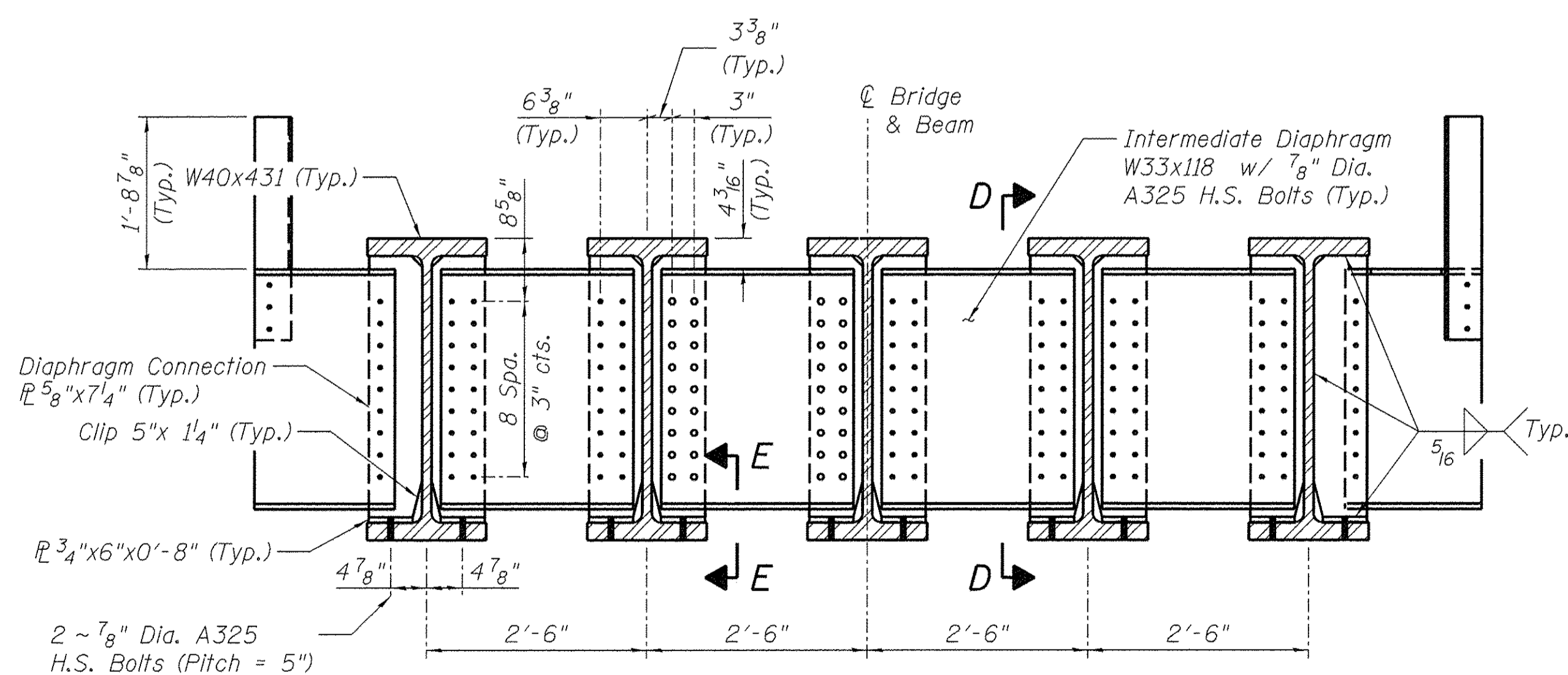
TYPICAL END DIAPHRAGMS AND BEARINGS FOR SQUARED END SPAN #1

- H.S. Shop Bolt
- H.S. Field Bolt
- (ITR)-Impact Test Required



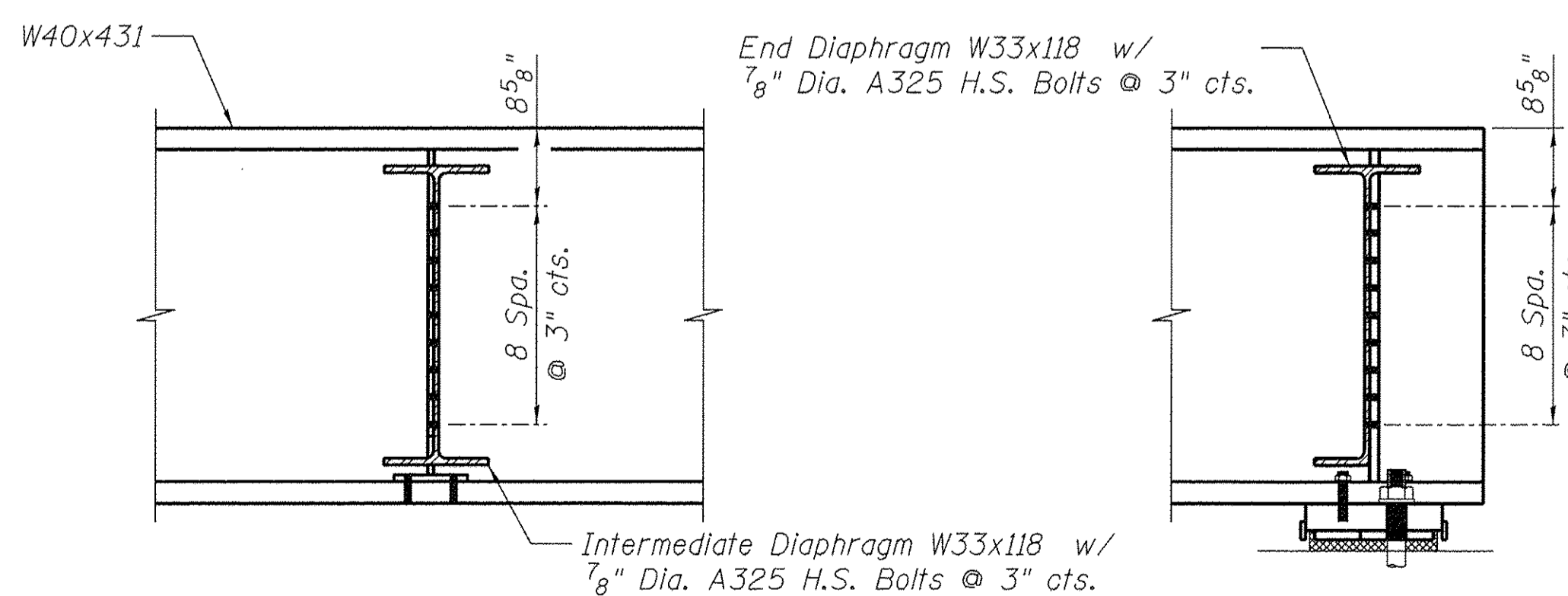
TYPICAL END DIAPHRAGMS AND BEARINGS FOR SKEWED END SPAN #1

- H.S. Shop Bolt
- H.S. Field Bolt
- (NTR)-Impact Test Required



TYPICAL INTERMEDIATE DIAPHRAGMS FOR SPAN #1

- H.S. Shop Bolt
- H.S. Field Bolt



SECTION D-D

SECTION B-B

Note:
See Sheets 25 to 34 of 52 for
information on details of Drainage
System and holes in cantilevered diaphragms.

DESIGNED	5-22-15
DRAWN	5-22-15
REVIEWED	5-23-15

p:\s\p1-svr\306.hanson.dom\Hanson Projects\Documents\09Jobs\09L0105\CAD-PhaseII\Struct\Sheet\049L0105-Framing_Details.1



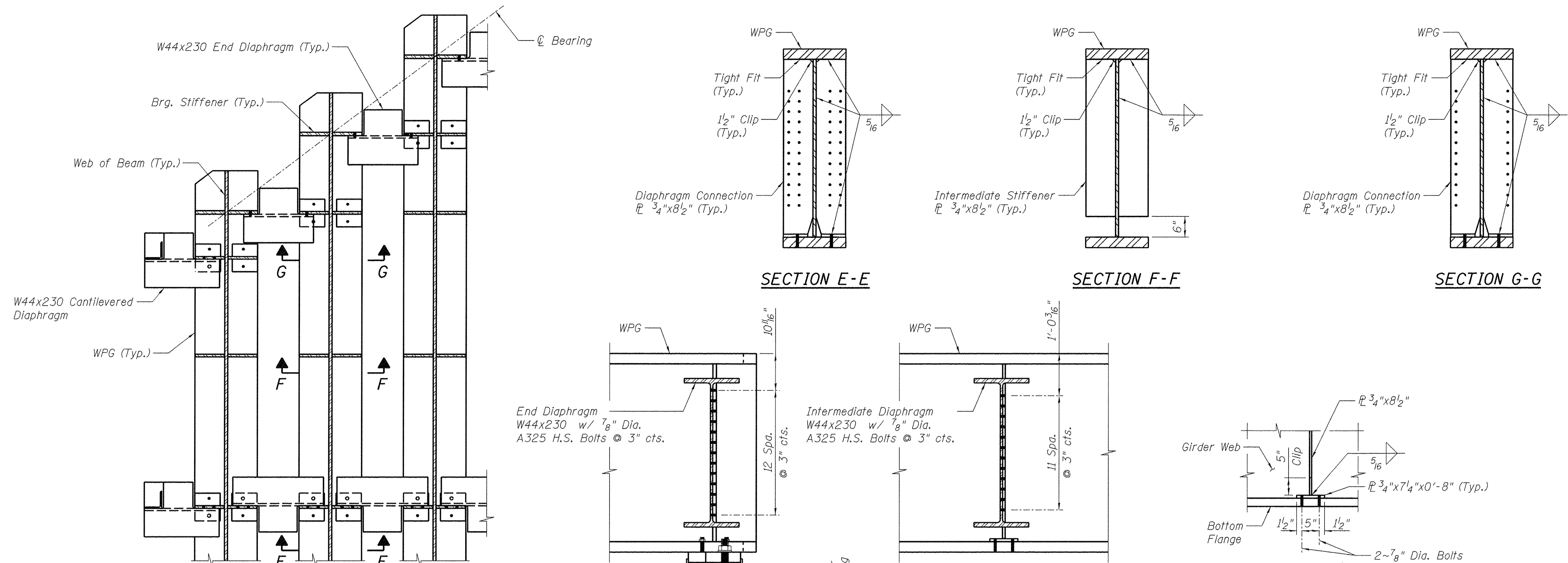
USER NAME = ande00846	DESIGNED - TDP	REVISIONS
PLOT SCALE = 1/4"=0000' 1" / in.	CHECKED - MAF	REVISIONS
PLOT DATE = 9/8/2015	DRAWN - GTJ	REVISIONS
	CHECKED - MAF	REVISIONS

**STATE OF ILLINOIS
DEPARTMENT OF TRANSPORTATION**

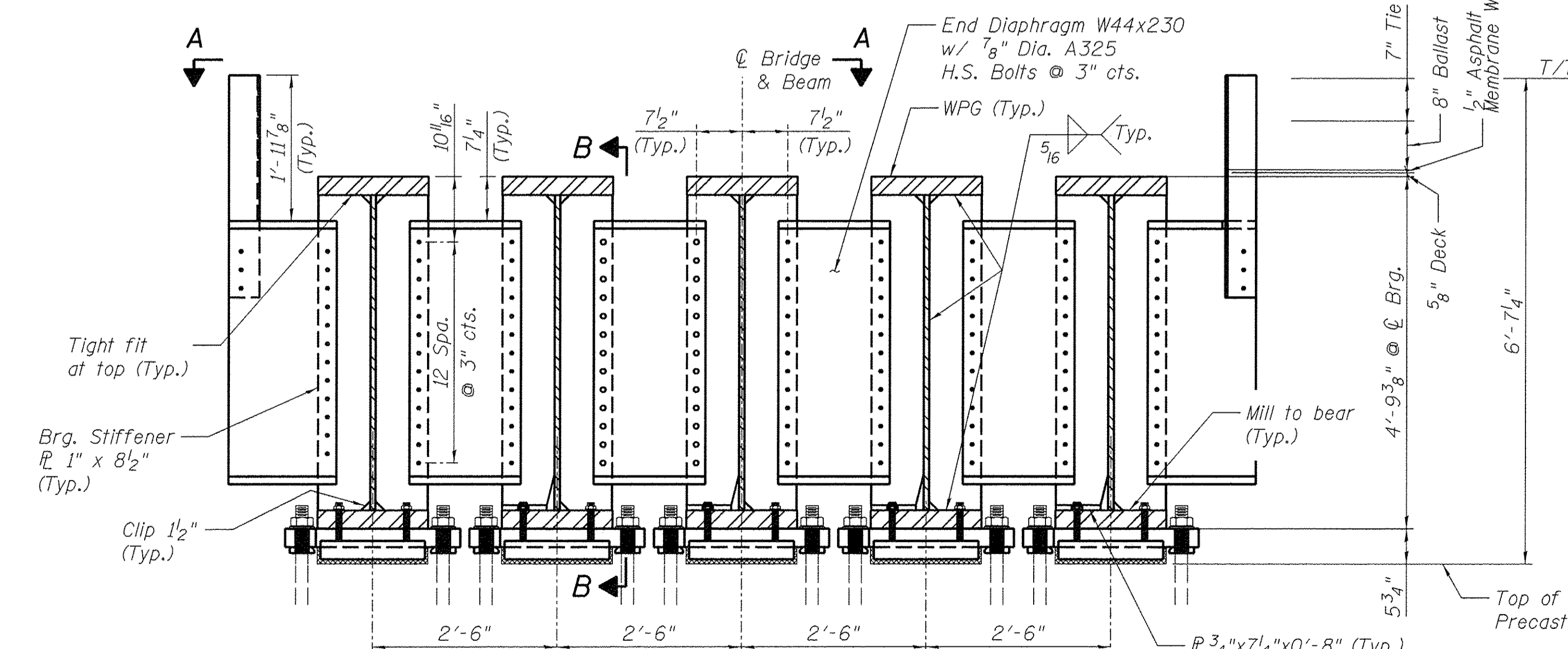
**FRAMING DETAILS - SPAN #1 AND #3
STRUCTURE 048-9928**

SHEET NO. 15 OF 52 SHEETS

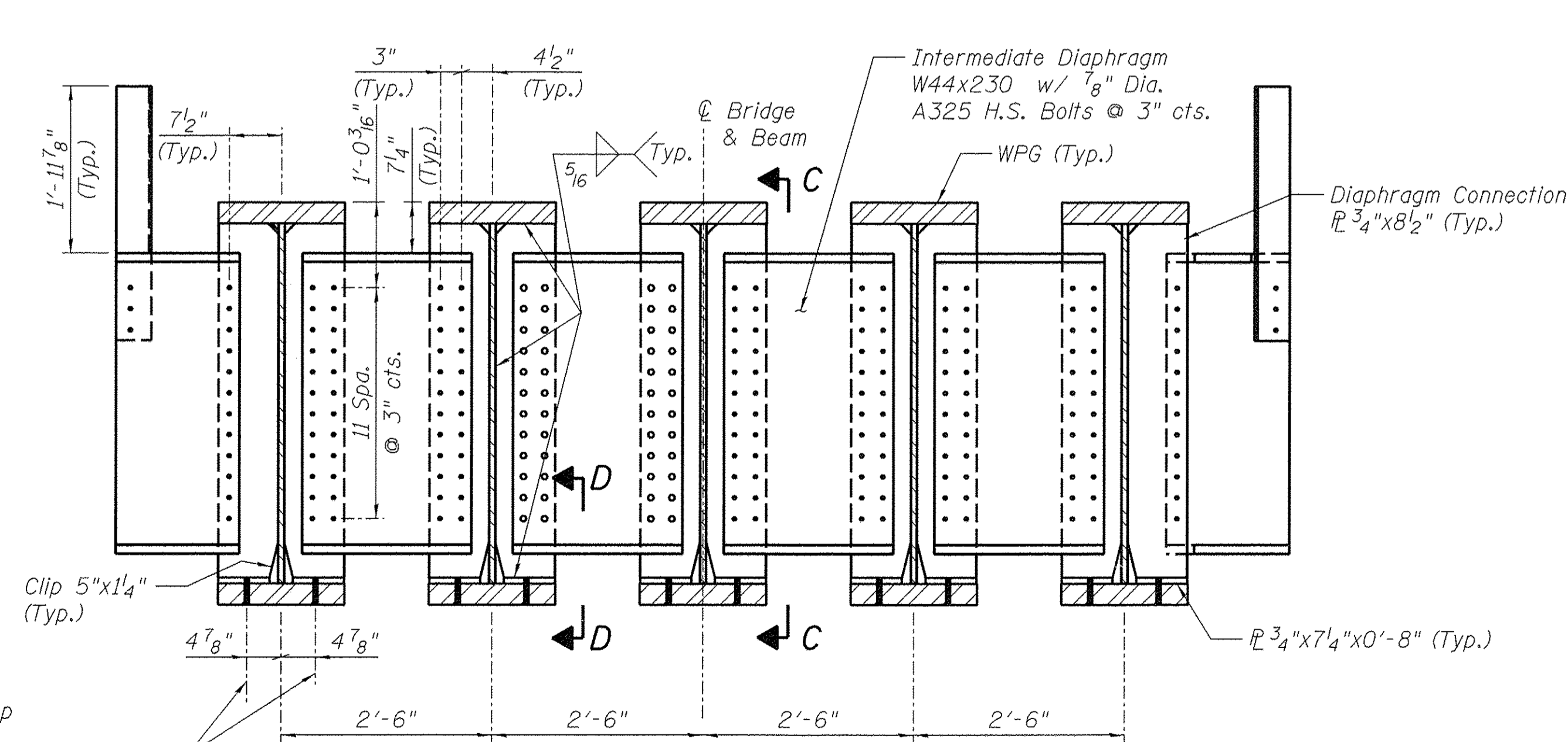
F.A.U. RTE.	SECTION	COUNTY	TOTAL SHEETS	SHEET NO.
6800	05-00500-19-GS	KNOX	221	95
			CONTRACT NO. 89417	
ILLINOIS FED. AID PROJECT				



VIEW A-A
Top Flanges not shown for clarity.



TYPICAL END DIAPHRAGMS AND BEARINGS FOR SPAN #2



TYPICAL INTERMEDIATE DIAPHRAGMS FOR SPAN #2

- H.S. Shop Bolt
- H.S. Field Bolt

- H.S. Shop Bolt
- H.S. Field Bolt

Note:
See Sheets 25 to 34 of 52 for information on details of Drainage System and holes in cantilevered diaphragms.

DESIGNED	TDP	5-22-15
DRAWN	GTJ	5-22-15
REVIEWED	MAF	5-23-15

p:\sp1\svr\306.henson.dom\henson_projects\Documents\09Jobs\09L0105\CAD-PhaseII\Struct\Sheet\09L0105-Framing-Details-2

USER NAME	= andr-00846
DESIGNED	- TDP
CHECKED	- MAF
DRAWN	- GTJ
PLOT SCALE	= 1:4,0000 '1' = 1/4"
PLOT DATE	= 9/8/2015
DESIGNED	- TDP
REVISIONS	-
CHECKED	- MAF
REVISIONS	-
DRAWN	- GTJ
REVISIONS	-
PLOT DATE	-
REVISIONS	-

**STATE OF ILLINOIS
DEPARTMENT OF TRANSPORTATION**

**FRAMING DETAILS - SPAN #2
STRUCTURE 048-9928**

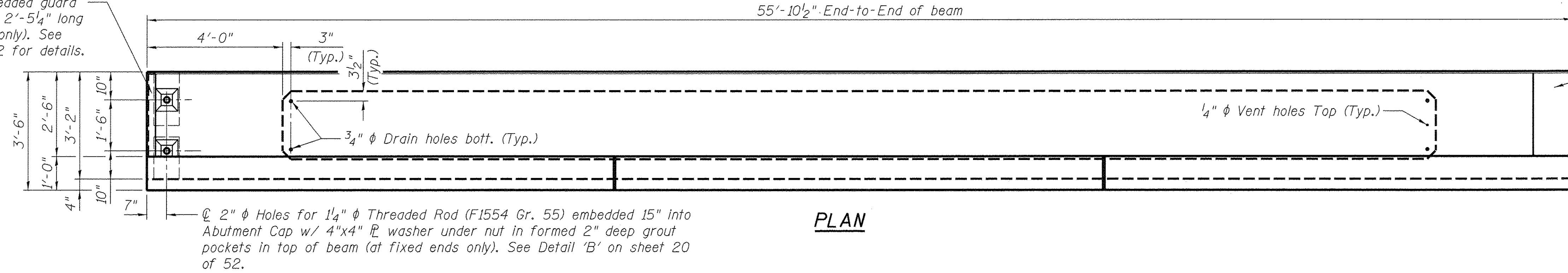
SHEET NO. 16 OF 52 SHEETS

F.A.U. RTE.	SECTION	COUNTY	TOTAL SHEETS	SHEET NO.
6800	05-00500-19-GS	KNOX	221	96
CONTRACT NO.			89417	
ILLINOIS FED. AID PROJECT				

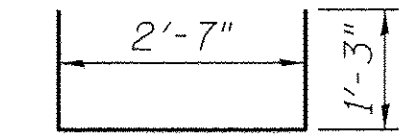


© Copyright Hanson Professional Services Inc. 2015

Galvanized embedded guard angle 3"x3"x $\frac{1}{2}$ " 2'-5 $\frac{1}{4}$ " long (at fixed ends only). See Sheet 20 of 52 for details.

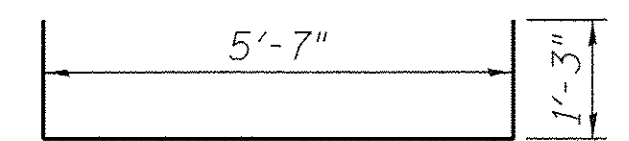
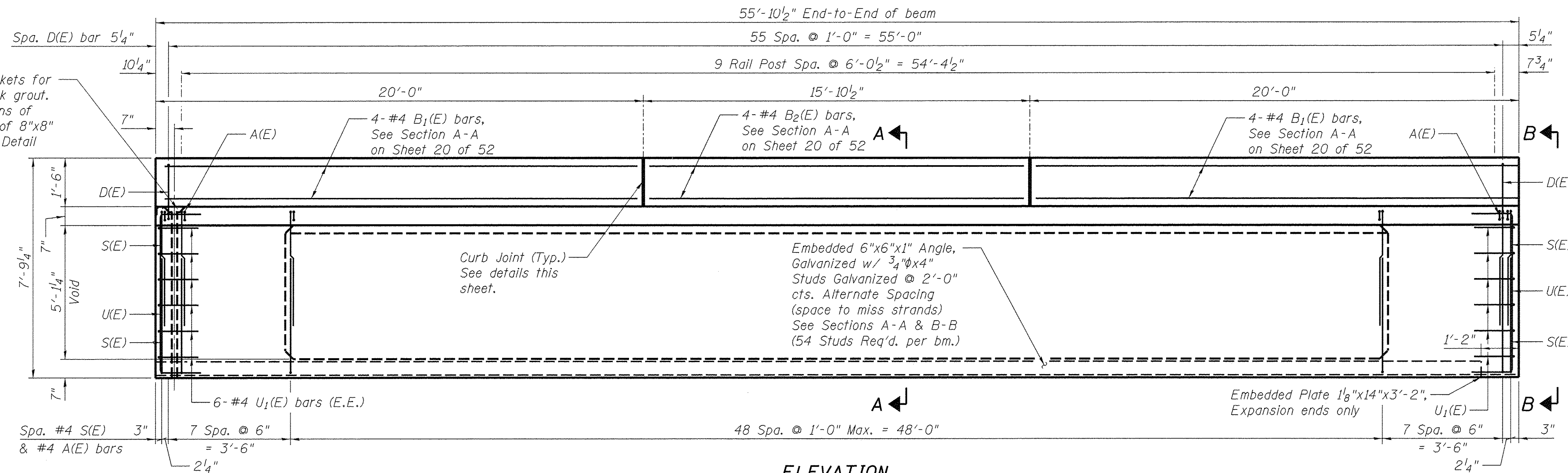


Galvanized Embedded Anchor Plate. Recess plate per details on Sheet 20 of 52.

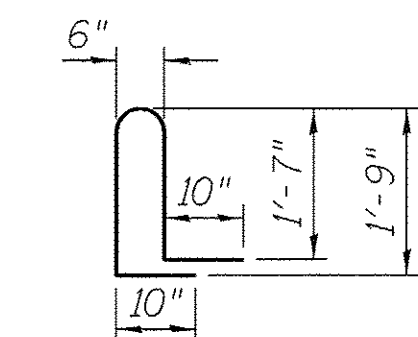


BAR U₁(E)

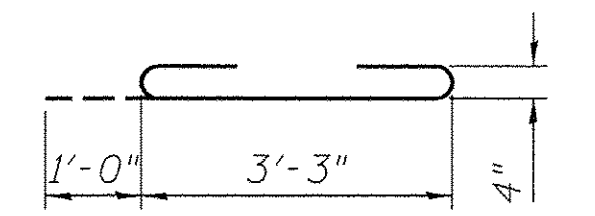
Formed 2" deep grout pockets for washer, nut and non-shrink grout. Bottom of pocket dimensions of 4"x4" and top dimensions of 8"x8" (at fixed ends only). See Detail 'B' on sheet 20 of 52.



BAR U(E)

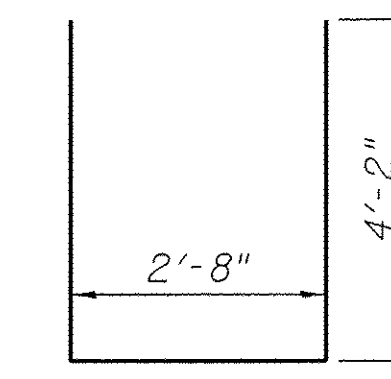


BAR D(E)



BAR A(E)

ELEVATION
(2 Req'd., Approx. Weight = 96,200 lbs.)



BAR S(E)

MINIMUM BAR LAP

#4 bar = 2'-0"
#6 bar = 3'-0"

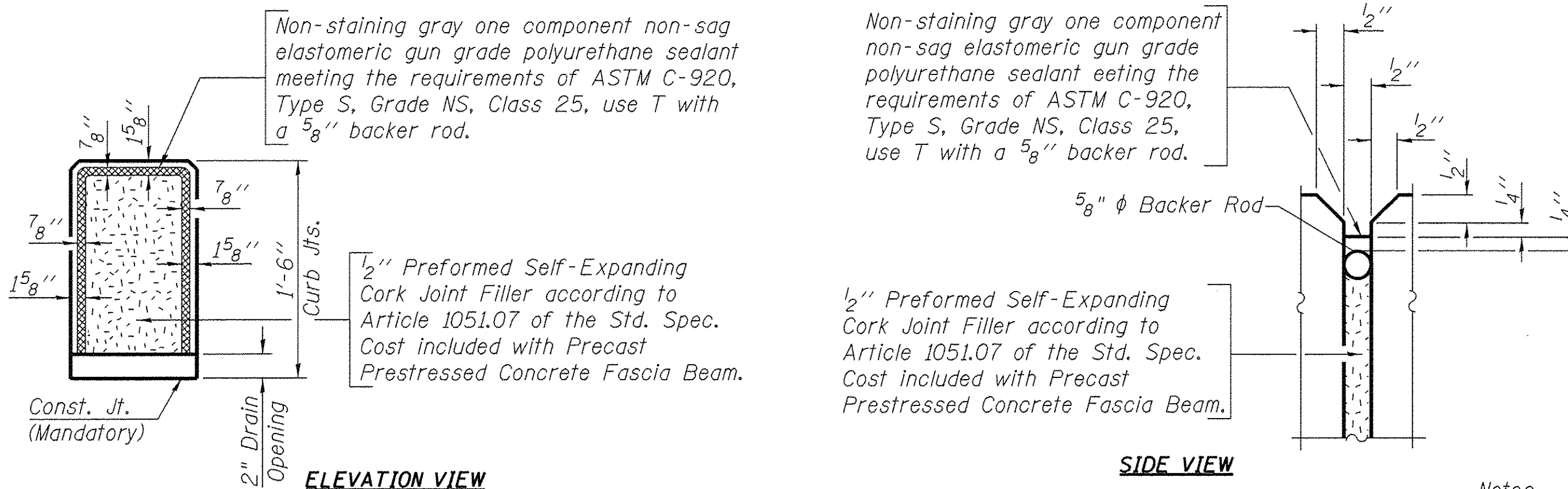
BAR LIST ONE BEAM ONLY

(For Fabrication Only)

Bar	No.	Size	Length	Shape
A(E)	65	#4	5'-3"	U
B(E)	20	#6	55'-6"	—
B ₁ (E)	8	#4	19'-8"	—
B ₂ (E)	4	#4	15'-6"	—
D(E)	56	#4	5'-6"	U
S(E)	130	#4	11'-0"	U
U(E)	8	#4	8'-1"	U
U ₁ (E)	12	#4	5'-1"	U

Notes:

- See Sheet 20 of 52 for Notes and Details.
- See Sheet 35 of 52 for Rail Post Details.



CURB JOINT DETAILS

DESIGNED	TOP	5-22-15
DRAWN	GTJ	5-22-15
REVIEWED	MAF	5-29-15

FILE NAME = p:\s1\svr\306.hanson.com\Hanson Projects\Documents\09Jobs\09L0105\CA0-PhaseII\Struct\Sheet\049L0105-Precast_Fascia_Beam1

USER NAME = ande-00846	DESIGNED - TDP	REVISED -
PLOT SCALE = 2:0.0000 1' = 1/4"	CHECKED - MAF	REVISED -
PLOT DATE = 9/8/2015	DRAWN - GTJ	REVISED -
	CHECKED - MAF	REVISED -

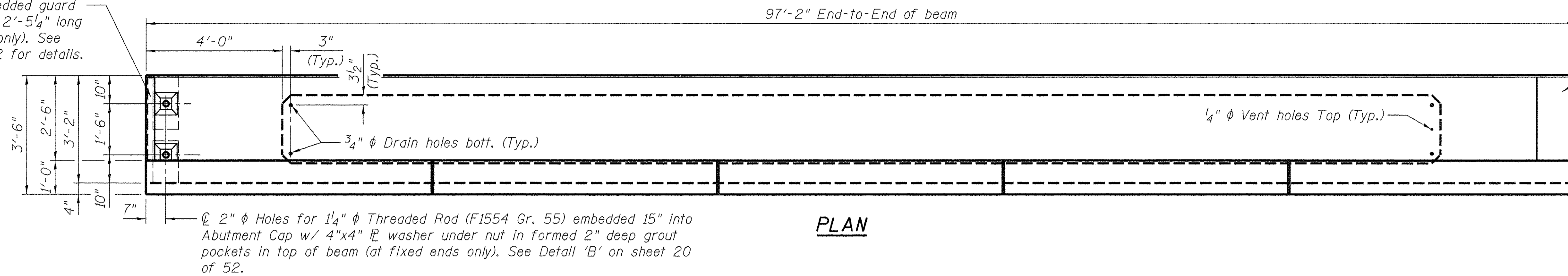
STATE OF ILLINOIS
DEPARTMENT OF TRANSPORTATION

PRECAST FASCIA BEAM (SHEET 1 OF 3)
STRUCTURE 048-9928

SHEET NO. 17 OF 52 SHEETS

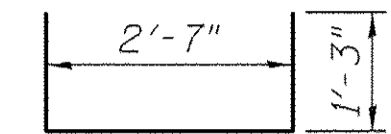
F.A.U. RTE. 6800	SECTION 05-00500-19-GS	COUNTY KNOX	TOTAL SHEETS 221	SHEET NO. 97
				CONTRACT NO. 89417
ILLINOIS FED. AID PROJECT				

Galvanized embedded guard angle 3"x3"x1/2" 2'-5 1/4" long (at fixed ends only). See Sheet 20 of 52 for details.

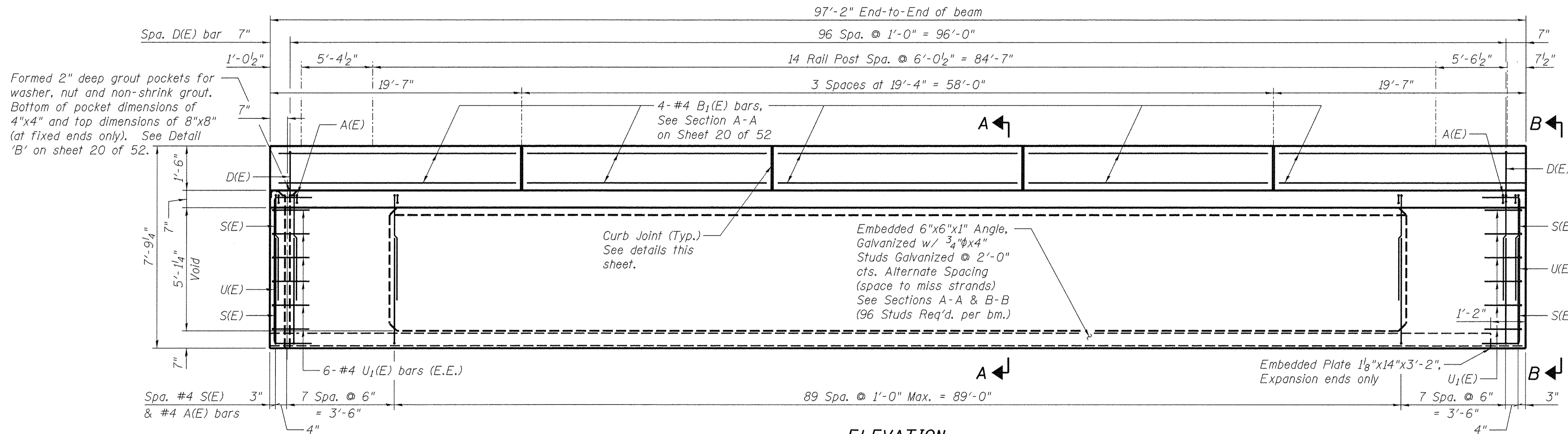


PLAN

Galvanized Embedded Anchor Plate. Recess plater per details on Sheet 20 of 52.

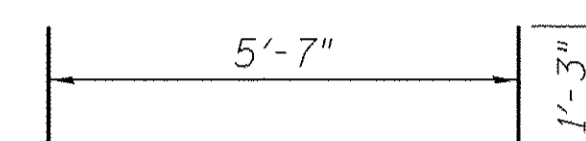


BAR U₁(E)



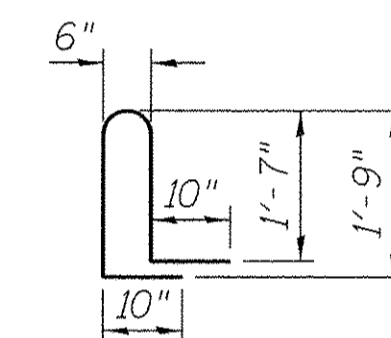
ELEVATION

(2 Req'd., Approx. Weight = 168,000 lbs.)

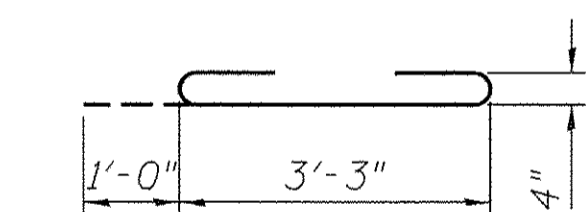


BAR U(E)

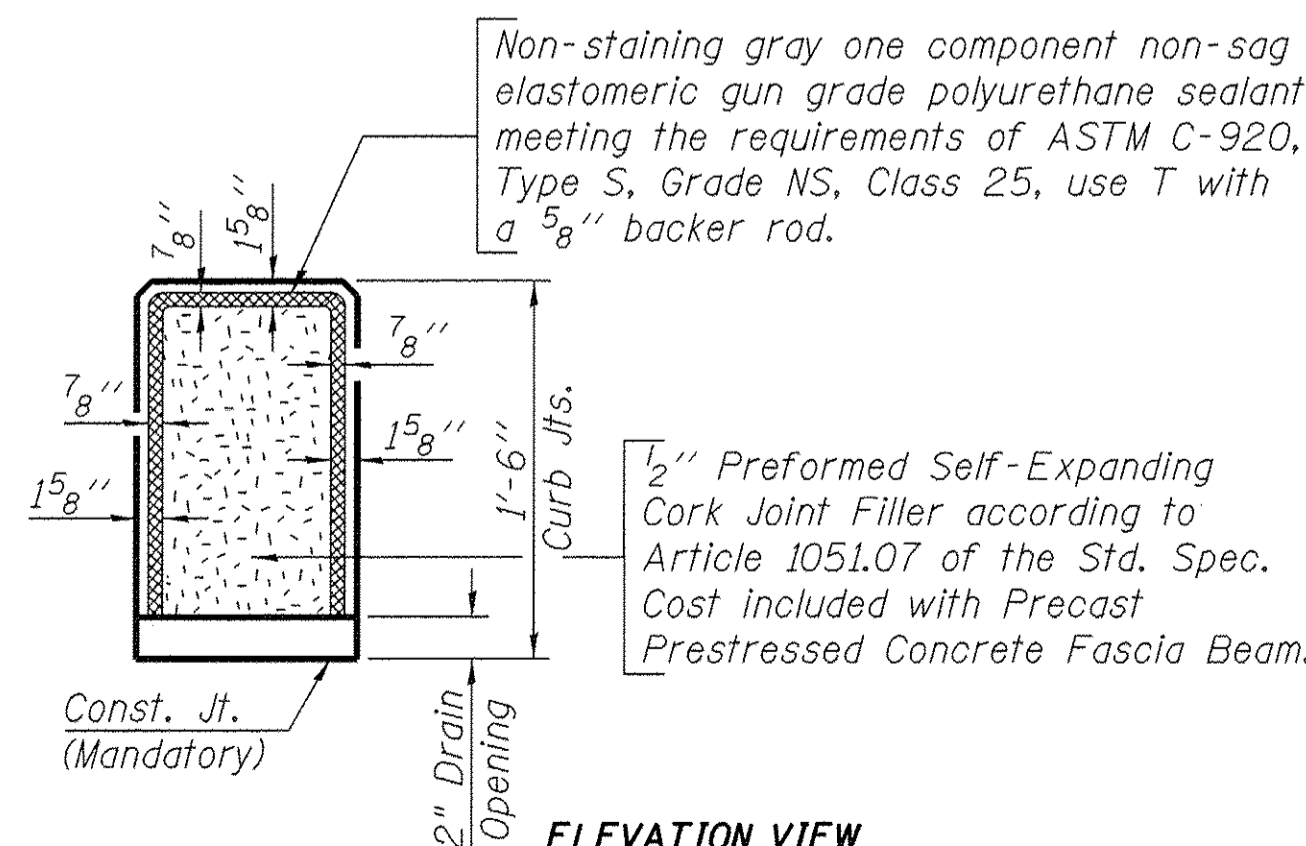
Formed 2" deep grout pockets for washer, nut and non-shrink grout. Bottom of pocket dimensions of 4"x4" and top dimensions of 8"x8" (at fixed ends only). See Detail 'B' on sheet 20 of 52.



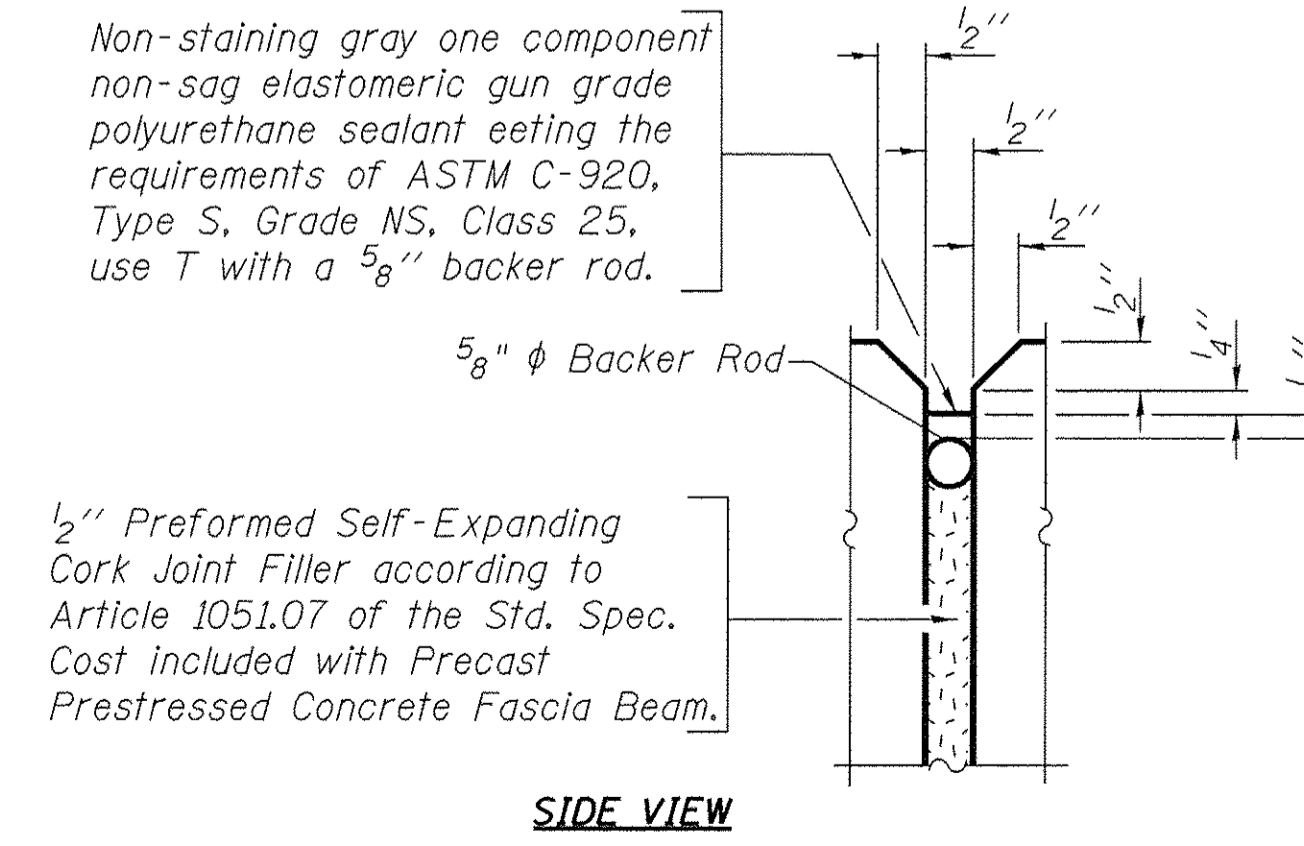
BAR D(E)



BAR A(E)

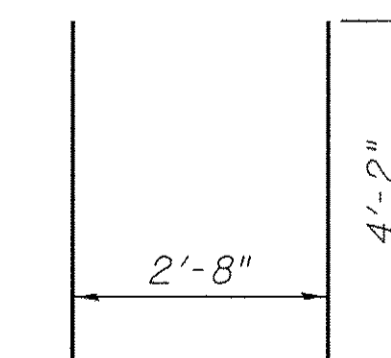


ELEVATION VIEW



SIDE VIEW

CURB JOINT DETAILS



BAR S(E)

MINIMUM BAR LAP

#4 bar = 2'-0"
#6 bar = 3'-0"

BAR LIST ONE BEAM ONLY

(For Fabrication Only)

Bar	No.	Size	Length	Shape
A(E)	106	#4	5'-3"	
B(E)	20	#6	97'-0"	
B ₁ (E)	20	#4	19'-3"	
D(E)	97	#4	5'-6"	
S(E)	212	#4	11'-0"	
U(E)	8	#4	8'-1"	
U ₁ (E)	12	#4	5'-1"	

Notes:

- See Sheet 20 of 52 for Notes and Details.
- See Sheet 35 of 52 for Rail Post Details.
- See Sheet 51 of 52 for Fascia Beam Aesthetic Details.

DESIGNED	5-22-15
DRAWN	5-22-15
REVIEWED	5-29-15

FILE NAME = ...

USER NAME = ande-00846	DESIGNED - TDP	REVISED -
PLOT SCALE = 2:0.0000 '1' / in.	CHECKED - MAF	REVISED -
PLOT DATE = 9/8/2015	DRAWN - GTJ	REVISED -
	CHECKED - MAF	REVISED -

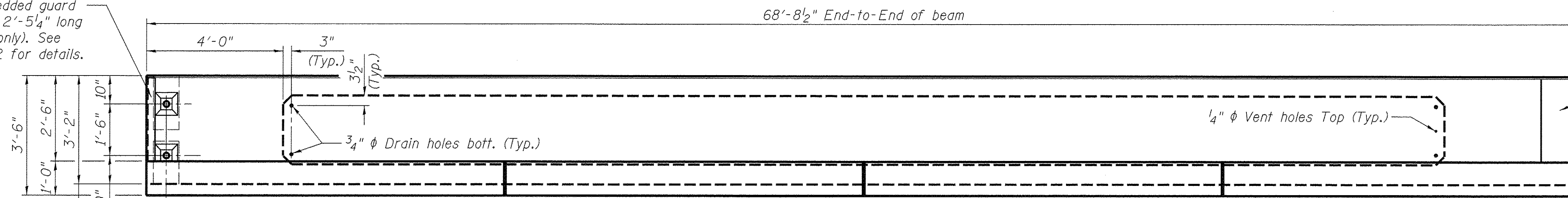
STATE OF ILLINOIS
DEPARTMENT OF TRANSPORTATION

PRECAST FASCIA BEAM (SHEET 2 OF 3)
STRUCTURE 048-9928

SHEET NO. 18 OF 52 SHEETS

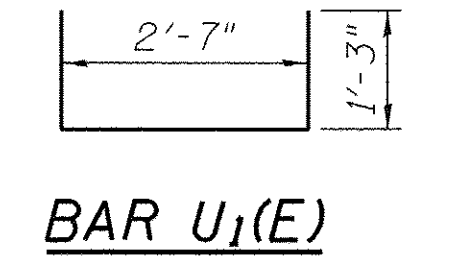
F.A.U. RTE.	SECTION	COUNTY	TOTAL SHEETS	SHEET NO.
6800	05-00500-19-GS	KNOX	221	98
CONTRACT NO.			89417	
ILLINOIS FED. AID PROJECT				

Galvanized embedded guard angle 3"x3"x1/2" 2'-5 1/4" long (at fixed ends only). See Sheet 20 of 52 for details.

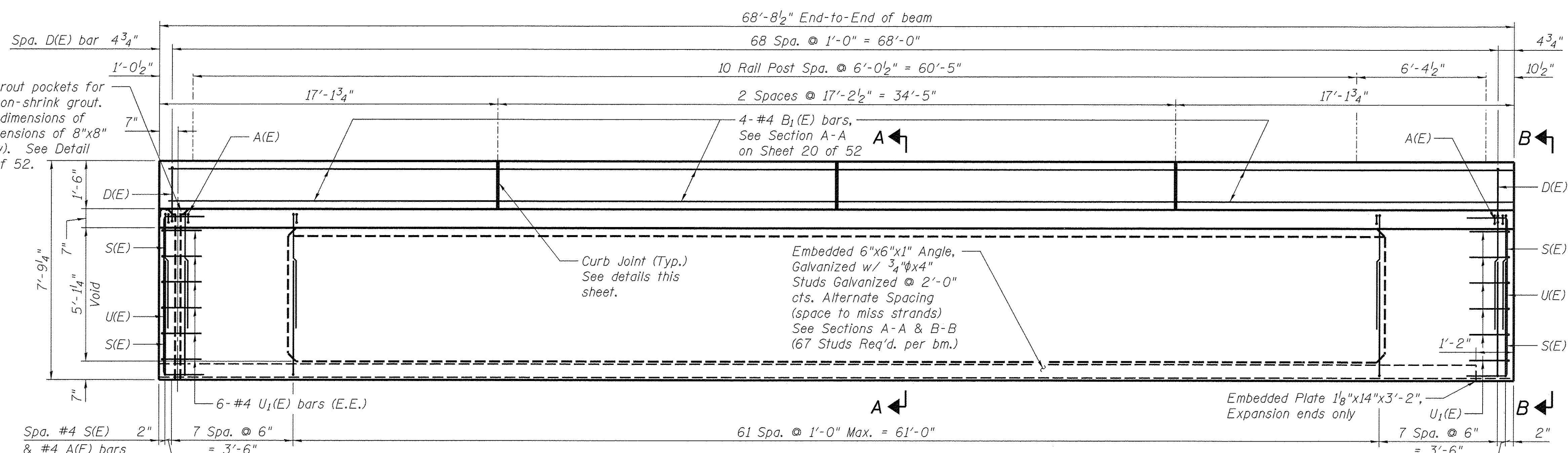


PLAN
 2" ϕ Holes for 1 1/4" ϕ Threaded Rod (F1554 Gr. 55) embedded 15" into Abutment Cap w/ 4"x4" P washer under nut in formed 2" deep grout pockets in top of beam (at fixed ends only). See Detail 'B' on sheet 20 of 52.

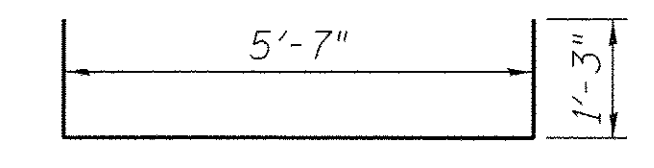
Galvanized Embedded Anchor Plate. Recess plate per details on Sheet 20 of 52.



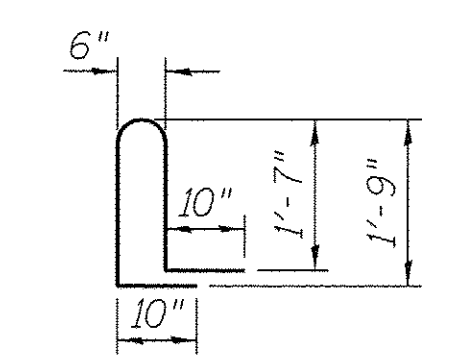
Formed 2" deep grout pockets for washer, nut and non-shrink grout. Bottom of pocket dimensions of 4"x4" and top dimensions of 8"x8" (at fixed ends only). See Detail 'B' on sheet 20 of 52.



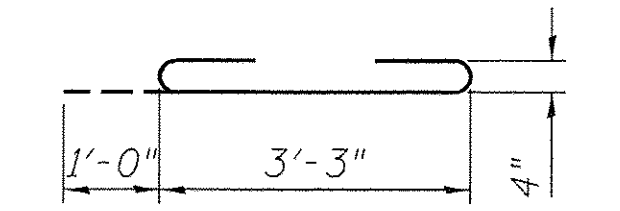
ELEVATION
 (2 Req'd., Approx. Weight = 118,700 lbs.)



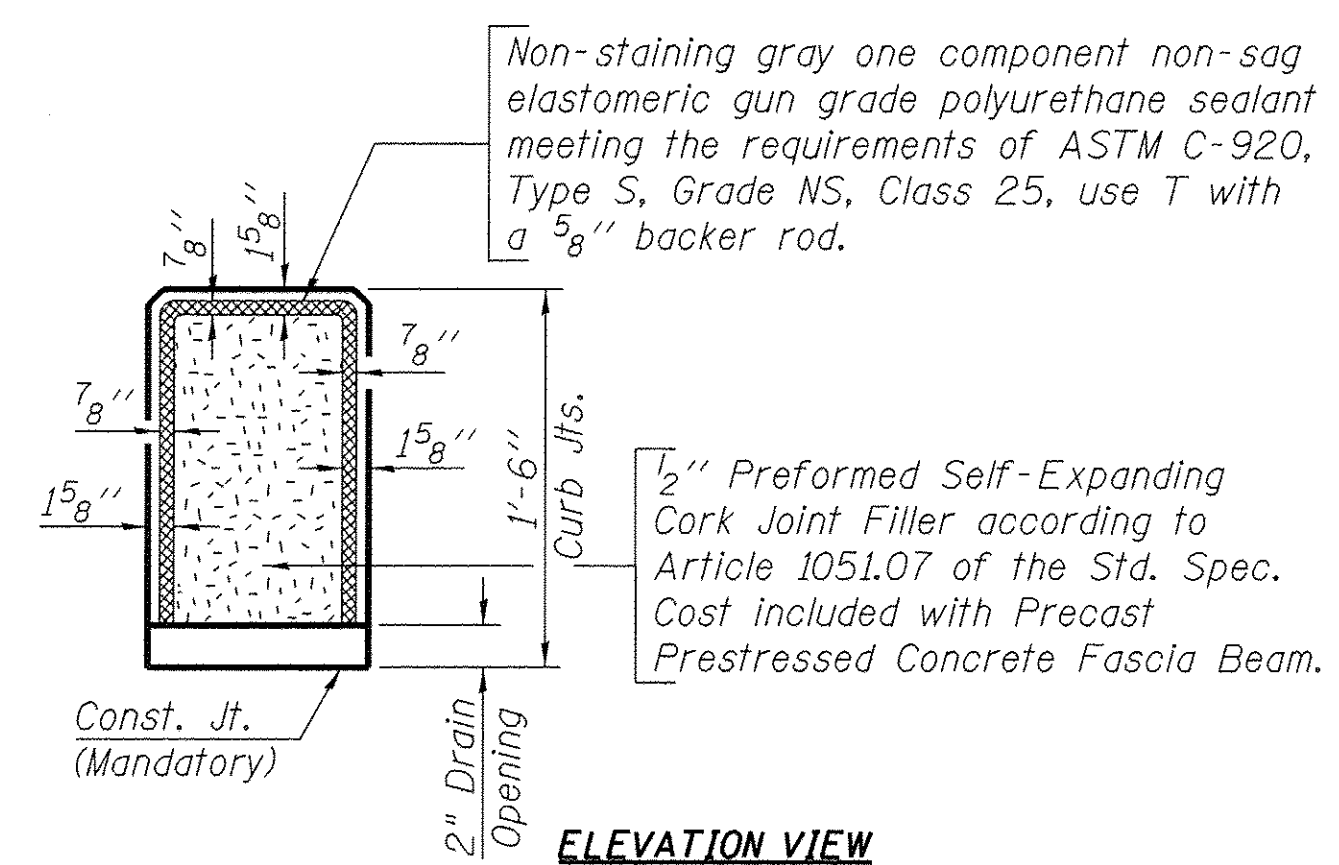
BAR U(E)



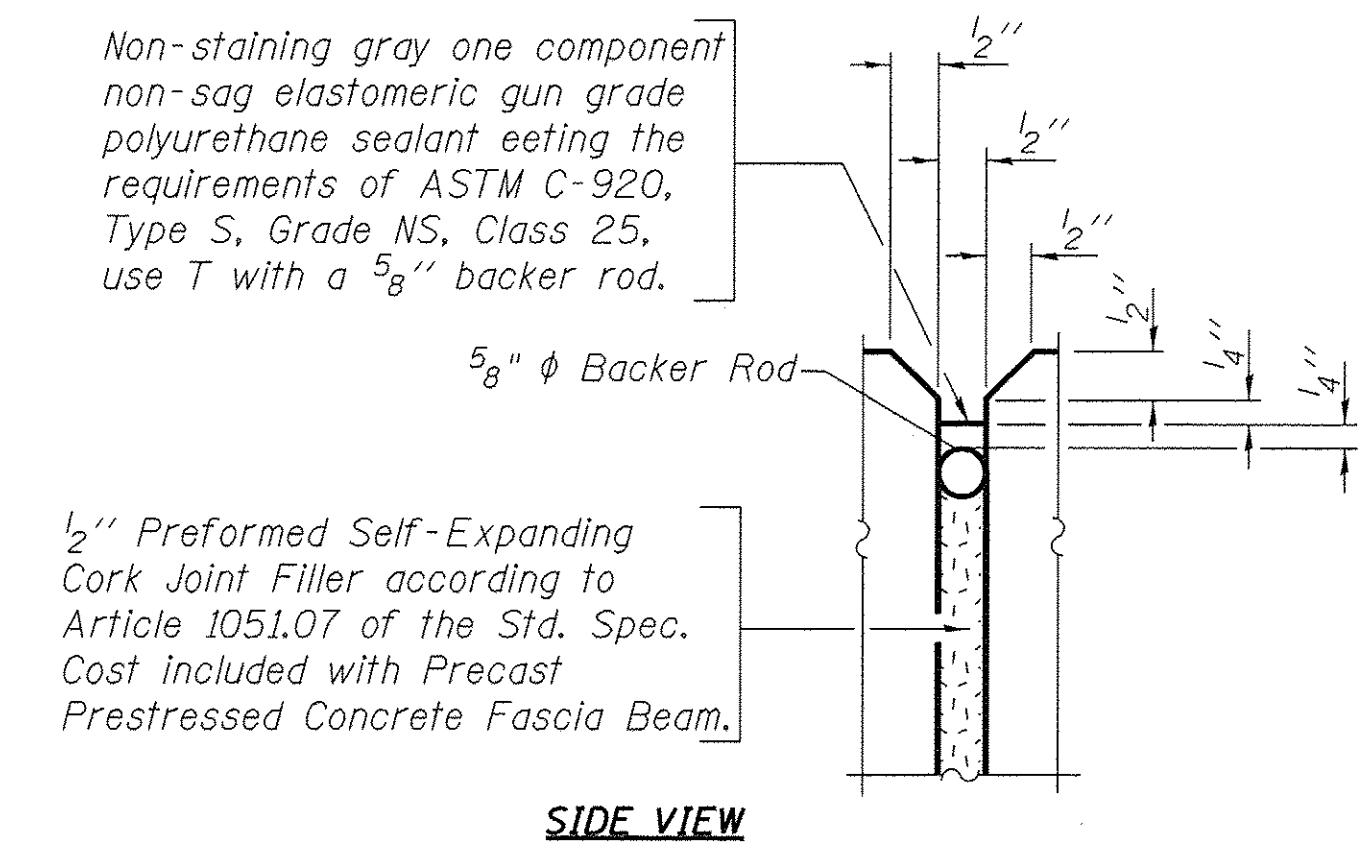
BAR D(E)



BAR A(E)

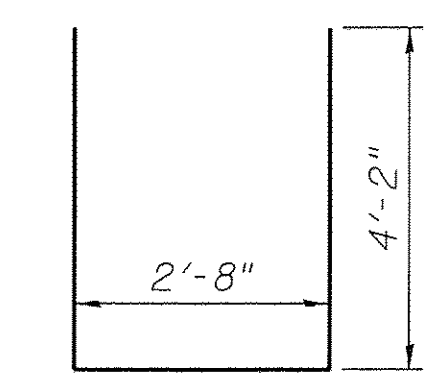


ELEVATION VIEW



SIDE VIEW

CURB JOINT DETAILS



BAR S(E)

MINIMUM BAR LAP

#4 bar = 2'-0"
 #6 bar = 3'-0"

BAR LIST ONE BEAM ONLY

(For Fabrication Only)

Bar	No.	Size	Length	Shape
A(E)	78	#4	5'-3"	┌──┐
B(E)	20	#6	68'-7"	┌──┐
B1(E)	16	#4	16'-10"	┌──┐
D(E)	69	#4	5'-6"	┌──┐
S(E)	156	#4	11'-0"	┌──┐
U(E)	8	#4	8'-1"	┌──┐
U1(E)	12	#4	5'-1"	┌──┐

Notes:
 1. See Sheet 20 of 52 for Notes and Details.
 2. See Sheet 35 of 52 for Rail Post Details.

DESIGNED	TOP	5-22-15
DRAWN	GTJ	5-22-15
REVIEWED	MAF	5-29-15

FILE NAME = p:\s\pr\svr\306.hanson.dom\hanson_projects\documents\09\jobs\09\0105\CA0-Phase11\Struct\Sheet\040\0105-Precast_Fascia_Beam3

USER NAME = ande00846	DESIGNED - TDP	REVISD -
PLOT SCALE = 20.0000 ' / in.	CHECKED - MAF	REVISD -
PLOT DATE = 9/8/2015	DRAWN - GTJ	REVISD -
	CHECKED - MAF	REVISD -

STATE OF ILLINOIS
 DEPARTMENT OF TRANSPORTATION

PRECAST FASCIA BEAM (SHEET 3 OF 3)
 STRUCTURE 048-9928

SHEET NO. 19 OF 52 SHEETS

F.A.U. RTE.	SECTION	COUNTY	TOTAL SHEETS	SHEET NO.
6800	05-00500-19-GS	KNOX	221	99
CONTRACT NO. 89417				
ILLINOIS FED. AID PROJECT				

