

STATE OF ILLINOIS
DEPARTMENT OF TRANSPORTATION
DIVISION OF HIGHWAYS

**PROPOSED
HIGHWAY PLANS**

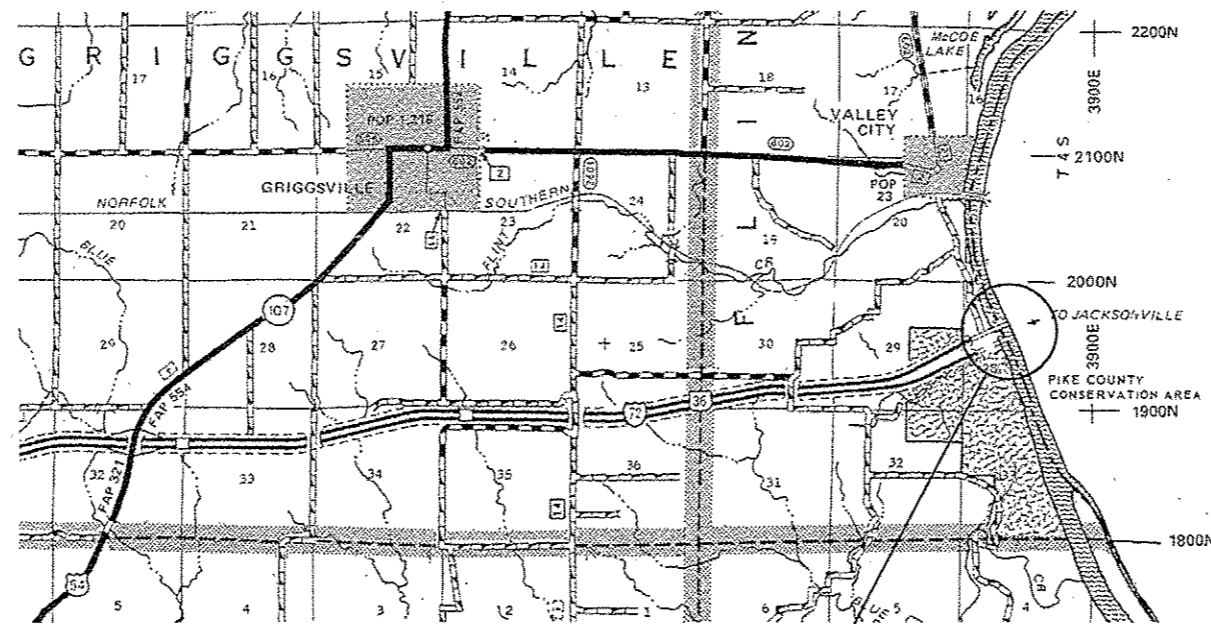
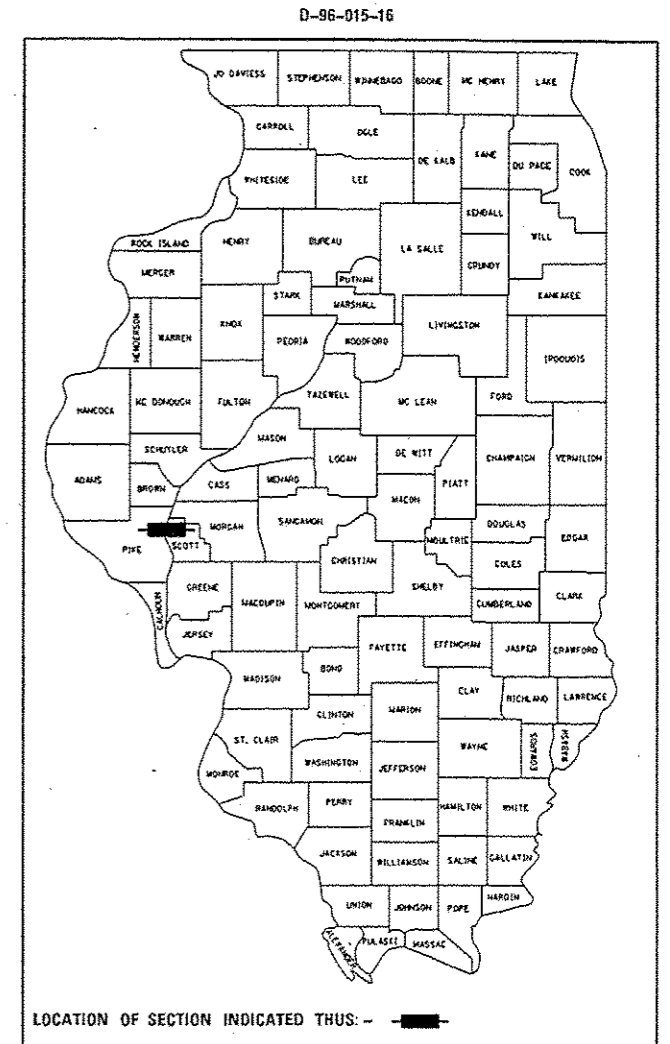
FAI ROUTE 72 (I-72)
SECTION D6 BRIDGE CLEANING 2016-2

BRIDGE WASHING & BIRD CONTROL
PIKE COUNTY

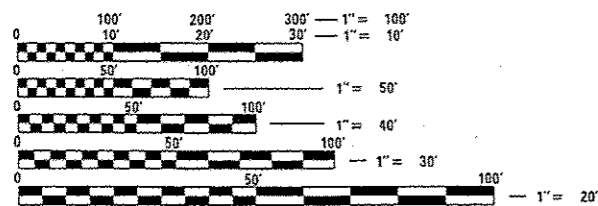
C-96-015-16

F.A.I. RTE.	SECTION	COUNTY	TOTAL SHEETS	SHEET NO.
72	D6 BRIDGE CLEANING 2016-2	PIKE	4	1
ILLINOIS			CONTRACT NO. 72106	

FOR INDEX OF SHEETS, SEE SHEET NO. 2



PROJECT LOCATION
SN 075-0122 & 075-0123
I-72 OVER THE ILLINOIS RIVER
3.7 MILES WEST OF IL 100



FULL SIZE PLANS HAVE BEEN PREPARED USING STANDARD ENGINEERING SCALES. REDUCED SIZED PLANS WILL NOT CONFORM TO STANDARD SCALES. IN MAKING MEASUREMENTS ON REDUCED PLANS, THE ABOVE SCALES MAY BE USED.

J.U.L.I.E.
JOINT UTILITY LOCATION INFORMATION FOR EXCAVATION
1-800-892-0123
OR 811

BRIDGE MAINTENANCE ENGINEER: BRANDON DUDLEY - (217) 785-9290
BRIDGE INSPECTION ENGINEER: DAVE COPENBARGER - (217) 785-5306

GROSS LENGTH = 6470 FT. = 1.23 MILE
NET LENGTH = 6470 FT. = 1.23 MILE

CONTRACT NO. 72106

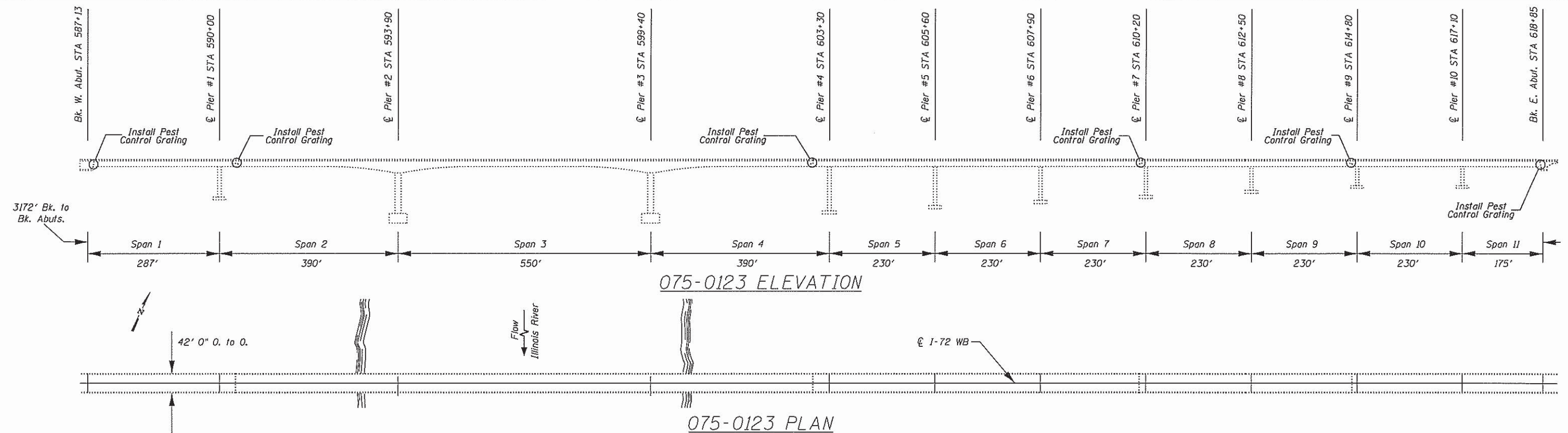
STATE OF ILLINOIS
DEPARTMENT OF TRANSPORTATION
DIVISION OF HIGHWAYS

SUBMITTED August 19 2015
R. J. Duder
DEPUTY DIRECTOR OF HIGHWAYS, REGION ENGINEER

Oct 2 2015
John D. Baranzoni, P.E.
ENGINEER OF DESIGN AND ENVIRONMENT

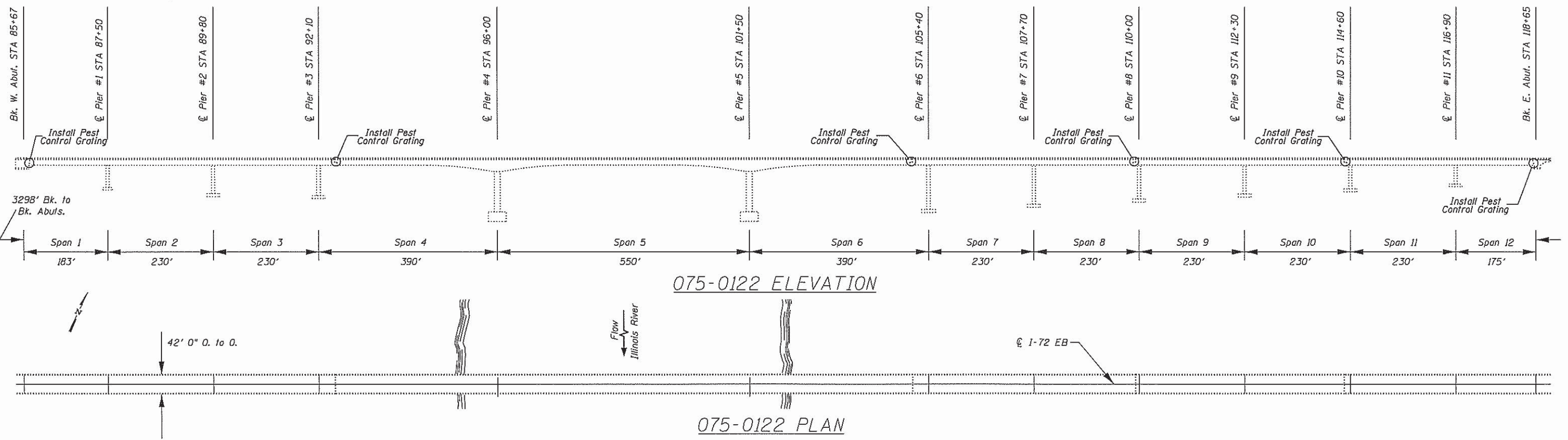
Oct 2 2015
Emer Osman, P.E.
DIRECTOR OF HIGHWAYS, CHIEF ENGINEER

PRINTED BY THE AUTHORITY
OF THE STATE OF ILLINOIS



075-0123 ELEVATION

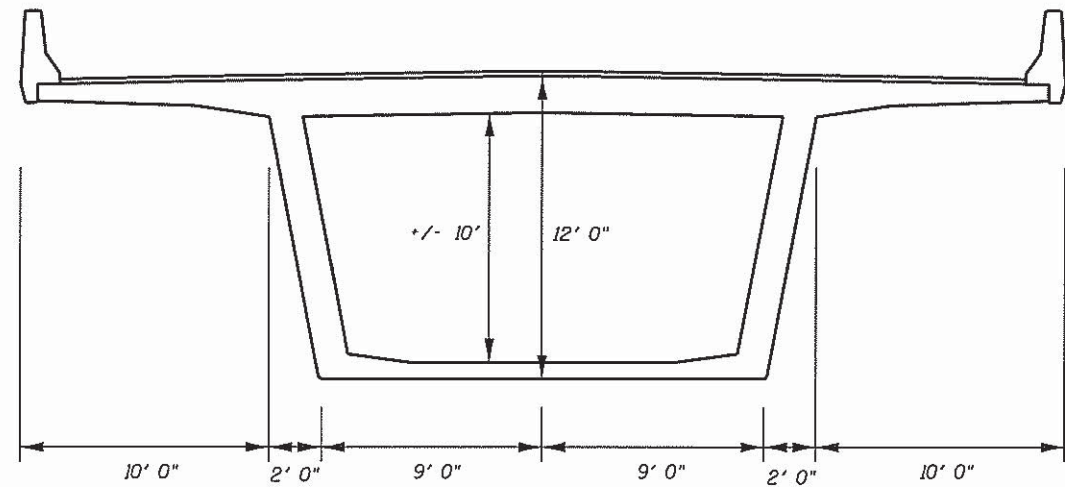
075-0123 PLAN



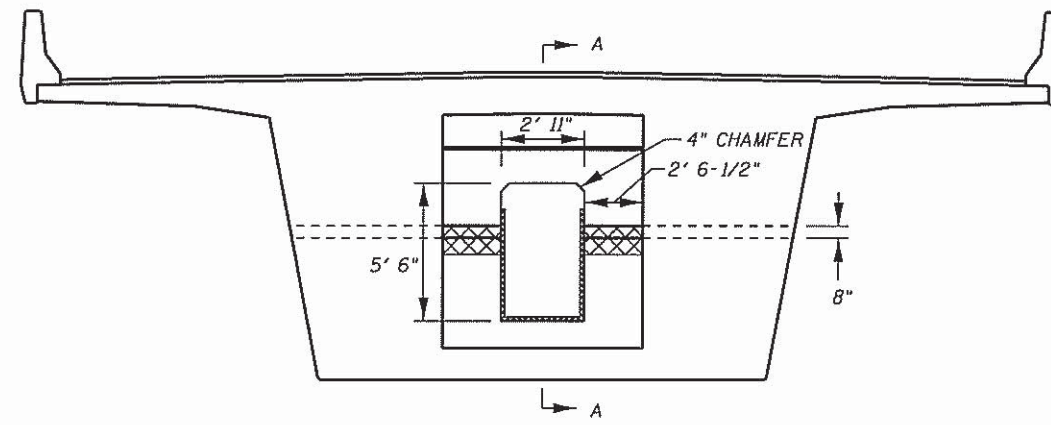
075-0122 ELEVATION

075-0122 PLAN

FILE NAME =	USER NAME = dudleybn	DESIGNED -	REVISED -	STATE OF ILLINOIS DEPARTMENT OF TRANSPORTATION	SN 075-0122 & 0123 GENERAL PLAN & ELEVATION		F.A.I. RTE.	SECTION	COUNTY	TOTAL SHEETS	SHEET NO.
D:\OPERATIONS\Bridges\Bridgplans\CAD\72106 - Valley City cleaning & bird control 2016\FRAME2.dgn-		REVISED -	REVISED -		72	06 BRIDGE CLEANING 2016-2	PIKE	4	3		
PLOT SCALE = 228/8.00000 1" = 100'		CHECKED -	REVISED -		CONTRACT NO. 72106						
PLOT DATE = 8/17/2015		DATE -	REVISED -		ILLINOIS FED. AID PROJECT						
Full Size				SCALE:	SHEET	OF SHEETS	STA.	TO STA.			

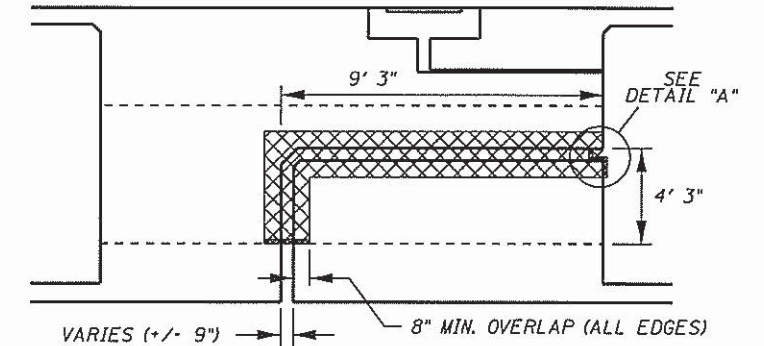


TYPICAL BRIDGE CROSS SECTION
(DIMENSIONS VARY NEAR RIVER PIERS)

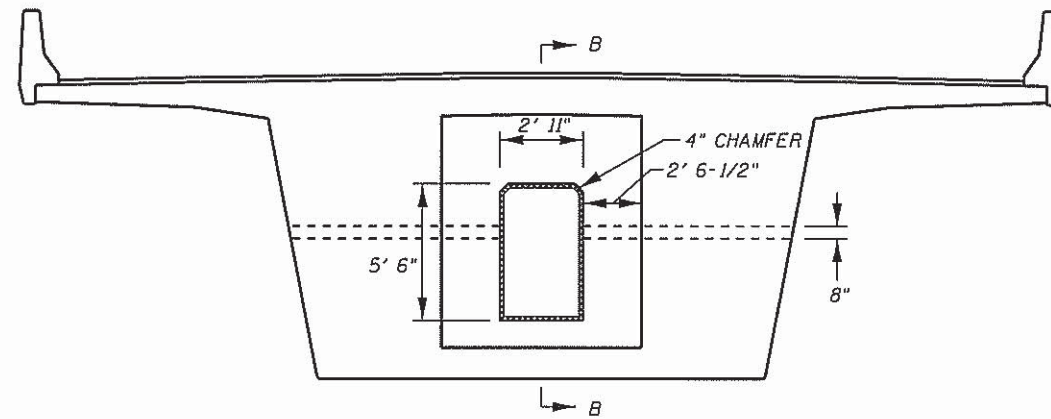


TYPICAL SECTION AT TYPE A HINGED BULKHEAD

(SN 075-0122 NEAR PIERS 3 & 6,
SN 075-0123 NEAR PIERS 1 & 4)

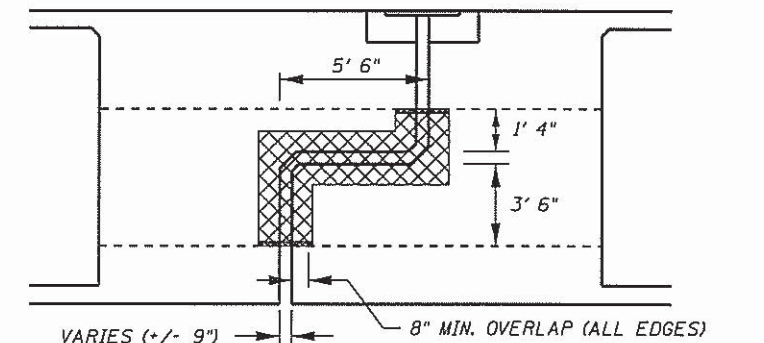


SECTION A-A



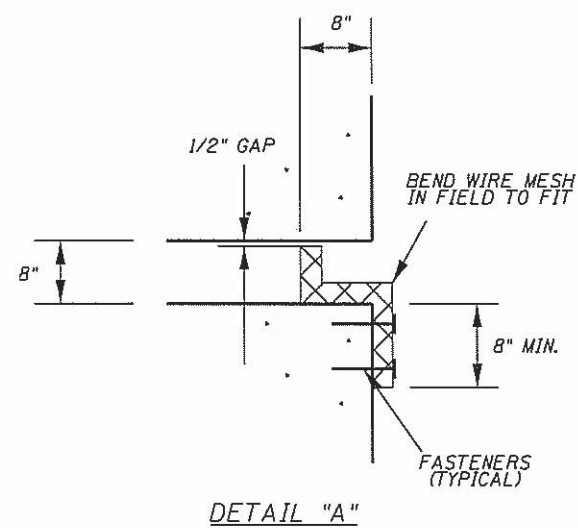
TYPICAL SECTION AT TYPE B HINGED BULKHEAD

(SN 075-0122 NEAR PIERS 8 & 10,
SN 075-0123 NEAR PIERS 7 & 9)

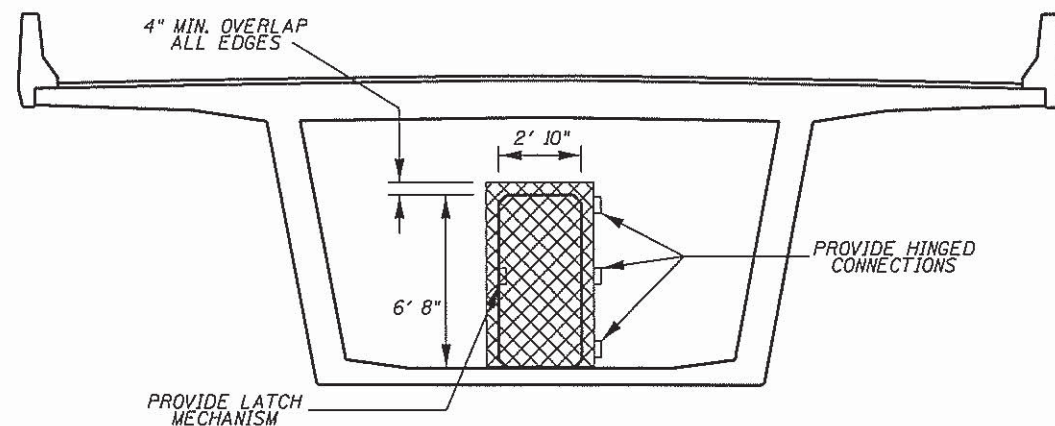


SECTION B-B

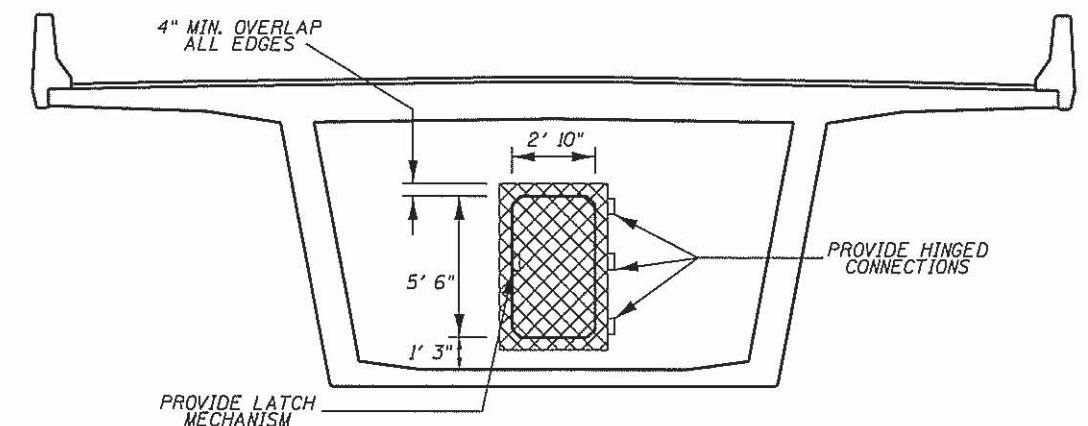
ESTIMATED QUANTITIES			
SN	LOCATION	DETAIL	PEST CONTROL GRATING (SQ FT)
075-0122	W. ABUT.	TY 2 ABUT.	22
075-0122	PIER 3	TY A HINGE	70
075-0122	PIER 6	TY A HINGE	70
075-0122	PIER 8	TY B HINGE	55
075-0122	PIER 10	TY B HINGE	55
075-0122	E. ABUT.	TY 1 ABUT.	25
075-0123	W. ABUT.	TY 2 ABUT.	22
075-0123	PIER 1	TY A HINGE	70
075-0123	PIER 4	TY A HINGE	70
075-0123	PIER 7	TY B HINGE	55
075-0123	PIER 9	TY B HINGE	55
075-0123	E. ABUT.	TY 1 ABUT.	25
TOTAL:			594



DETAIL "A"



ABUTMENT BULKHEAD TYPE 1
(EAST ABUTMENTS, BOTH STRUCTURES)



ABUTMENT BULKHEAD TYPE 2
(WEST ABUTMENTS, BOTH STRUCTURES)

NOTE: SEE SPECIAL PROVISION FOR ADDITIONAL DETAILS FOR THIS PAY ITEM