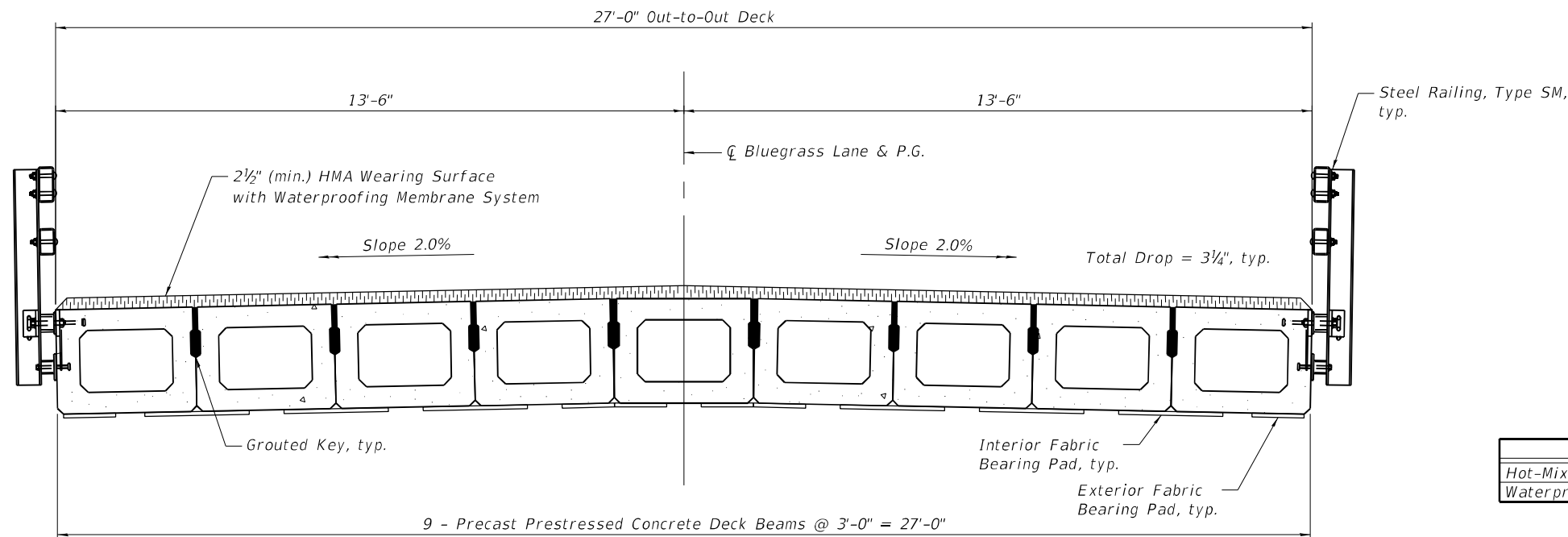
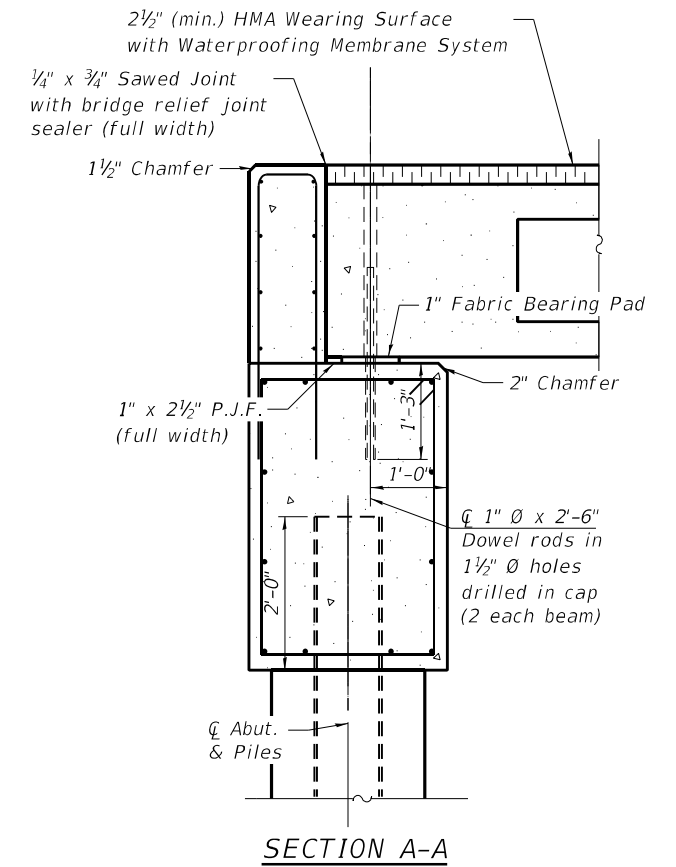


**ELEVATION**  
 (Showing Rail Post Spacing)  
 See sheet 6 of 10 for Railing Details

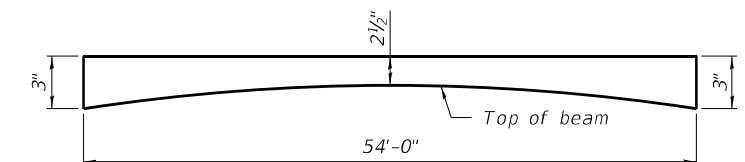


**CROSS SECTION**  
 (Looking East)

Notes:  
 See sheets 4 and 5 of 10 for Deck Beam details and Bill of Material.  
 See sheet 5 of 10 for Fabric Bearing Pad details.  
 See sheet 6 of 10 for Steel Railing details.

**BILL OF MATERIAL**

ITEM	UNIT	QUANTITY
Hot-Mix Asphalt Surface Course, IL-9.5FG, Mix "C", N70	Tons	25
Waterproofing Membrane System	Sq. Yd.	162



**ANTICIPATED HMA WEARING SURFACE PROFILE**  
 (For information only)

REV. 10-23-2020

MODEL: SMODELNAMES  
 FILE NAME: \$FILES



QUIGG ENGINEERING INC

USER NAME = \$USERS	DESIGNED - KFO	REVISED - 10/20/2020
\$FILES	CHECKED - KWB	REVISED -
PLOT SCALE = \$\$SCALE\$	DRAWN - KFO	REVISED -
PLOT DATE =	CHECKED - MDC	REVISED -

STATE OF ILLINOIS  
 DEPARTMENT OF TRANSPORTATION

SUPERSTRUCTURE DETAILS  
 STRUCTURE NO. 039-0081

SHEET 3 OF 10 SHEETS

T.R.	SECTION	COUNTY	TOTAL SHEETS	SHEET NO.
93A	13B-1	JACKSON	38	24
CONTRACT NO. 78547				

ILLINOIS FED. AID PROJECT