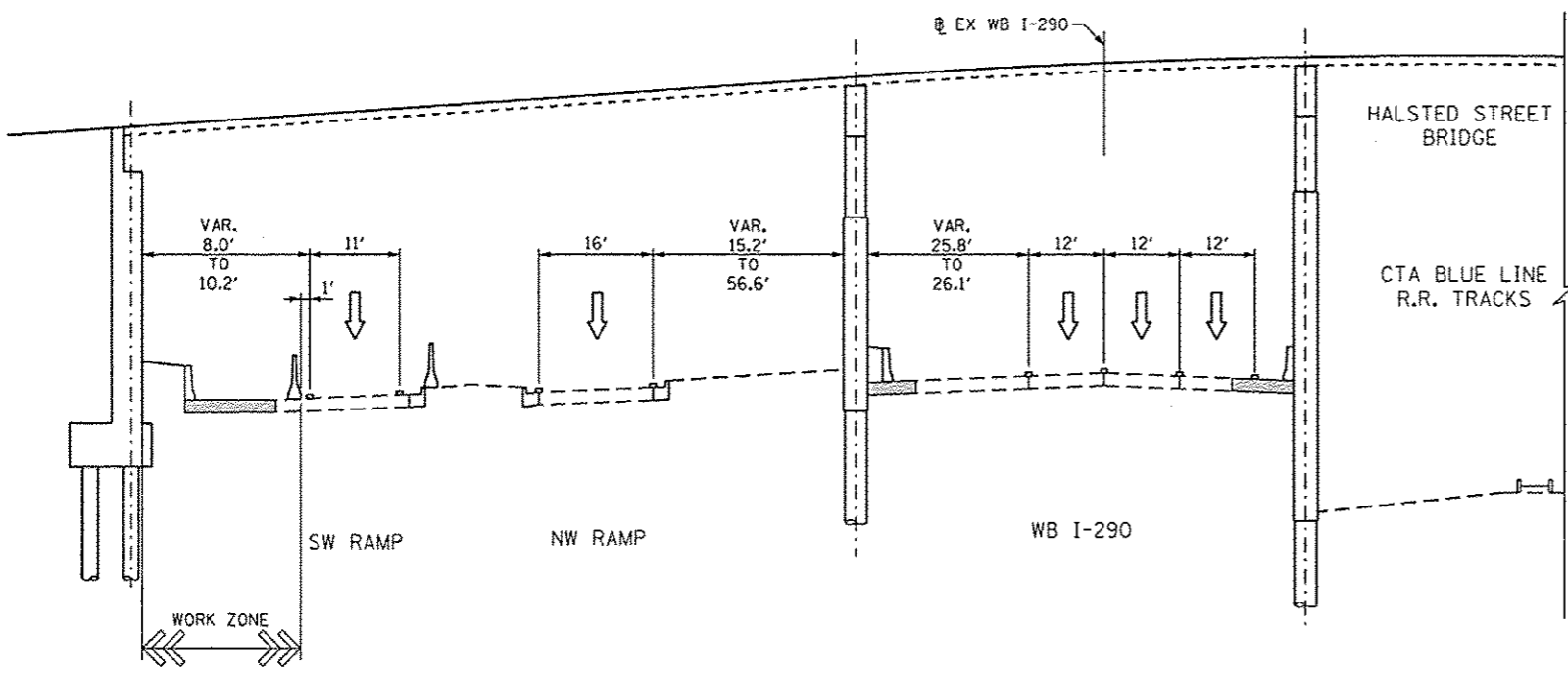
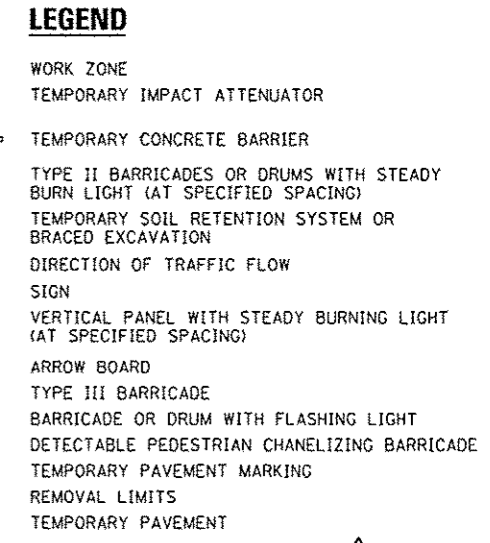
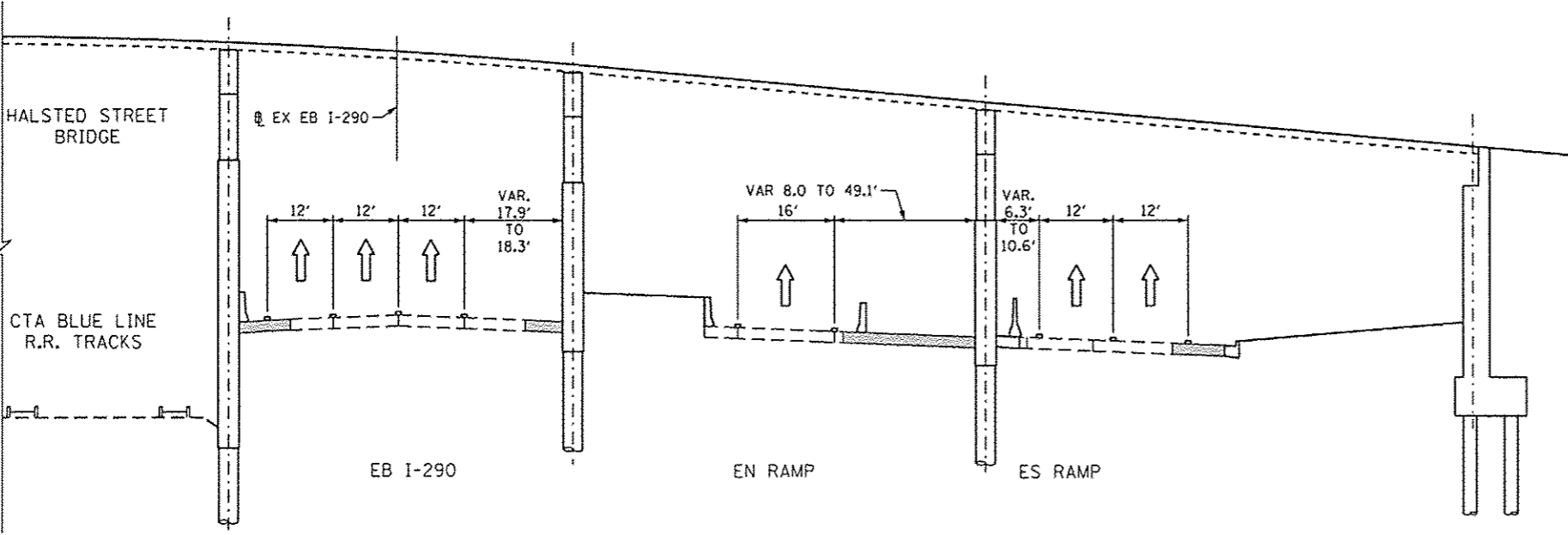


FILE PATH = D:\11388229\p\int\loc\com\line\loc\p\MAE\COM\26\Documents\I\America\Transportation\62859938_Er\3A\Phase 1\WB\CA\185_Roadway\Sheet\60W26-ht-Stage1-Typ-2A

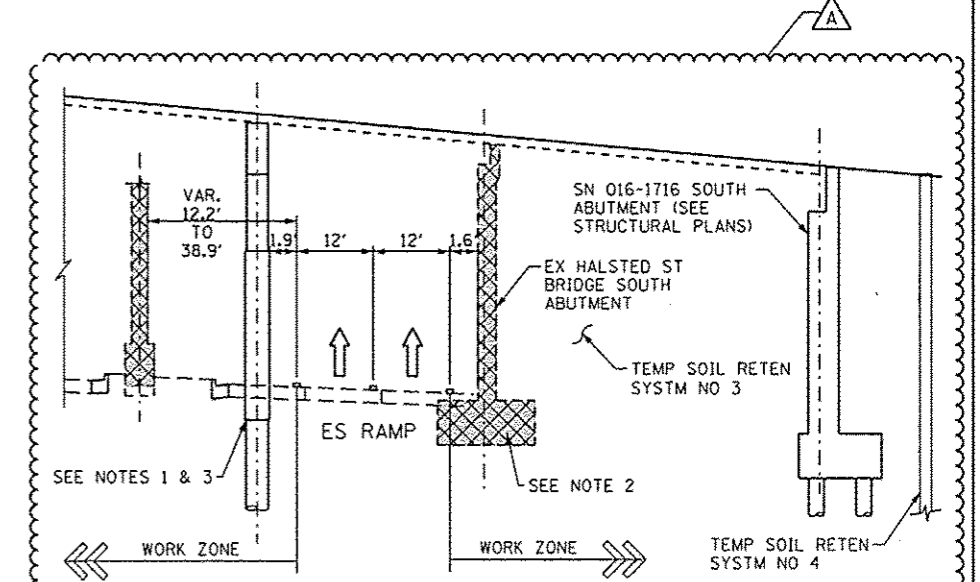
NOTE:
FOR TEMPORARY SOIL RETENTION SYSTEM
DETAILS SEE STRUCTURAL PLANS



**I-290 EXPRESSWAY UNDER NORTH HALF HALSTED STREET BRIDGE
(LOOKING EAST)
MAINTENANCE OF TRAFFIC - 3A-3C
TYPICAL SECTION**

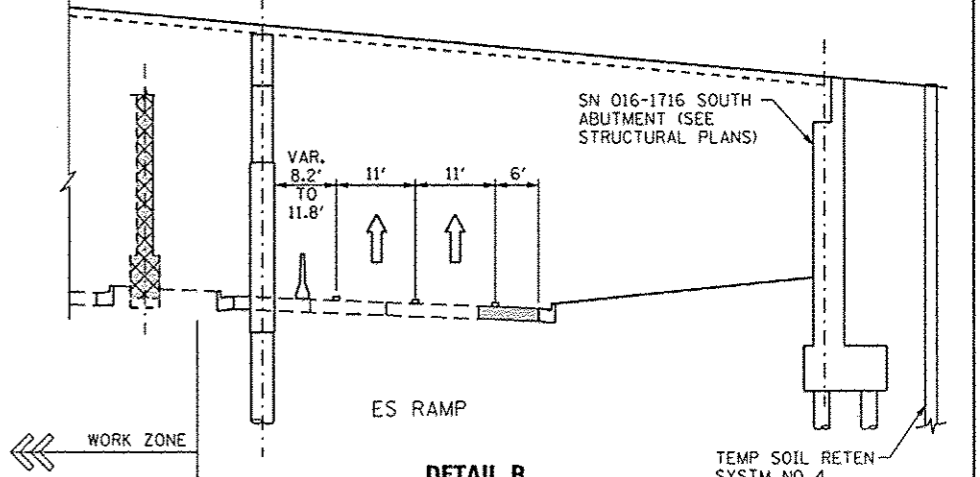


**I-290 EXPRESSWAY UNDER SOUTH HALF HALSTED STREET BRIDGE
(LOOKING EAST)
MAINTENANCE OF TRAFFIC - 3A-3C
TYPICAL SECTION**



**DETAIL A
STAGE 1B AND 2A**

- NOTES:**
- FOR EAST HALF OF PIER 1 CONSTRUCTION SEE ES RAMP 1 LANE CONFIGURATION ON SHEETS 86A-86C (STAGE 1B-1ML).
 - FOR REMOVAL OF EXISTING WEST ABUTMENT AND TEMPORARY PAVEMENT CONSTRUCTION SEE ES RAMP 1 LANE CONFIGURATION ON SHEETS 96A-96C (STAGE 2A-1ML).
 - FOR WEST HALF OF PIER 1 CONSTRUCTION SEE ES RAMP 1 LANE CONFIGURATION ON SHEETS 96D-96F (STAGE 2A-2ML).



**DETAIL B
STAGE 2B**



DIGW26-ht-Stage1-Typ-2A
USER NAME = pmsrnga
PLOT SCALE = 15.0000 / 1"
PLOT DATE = 10/14/2013

DESIGNED - KAM
DRAWN - PHP
CHECKED - OPS
DATE - 9/15/13

REVISED - 10/15/2013
REVISED -
REVISED -
REVISED -

STATE OF ILLINOIS
DEPARTMENT OF TRANSPORTATION

SUGGESTED STAGES OF CONSTRUCTION AND TRAFFIC CONTROL PLAN
TYPICAL SECTIONS

SCALE: NONE SHEET 2 OF 5 SHEETS STA. TO STA.

F.A.I. RTE.	SECTION	COUNTY	TOTAL SHEETS	SHEET NO.
90/94/290	2013-008R	COOK	559	65A
				CONTRACT NO. 60W26
ILLINOIS FED. AID PROJECT				