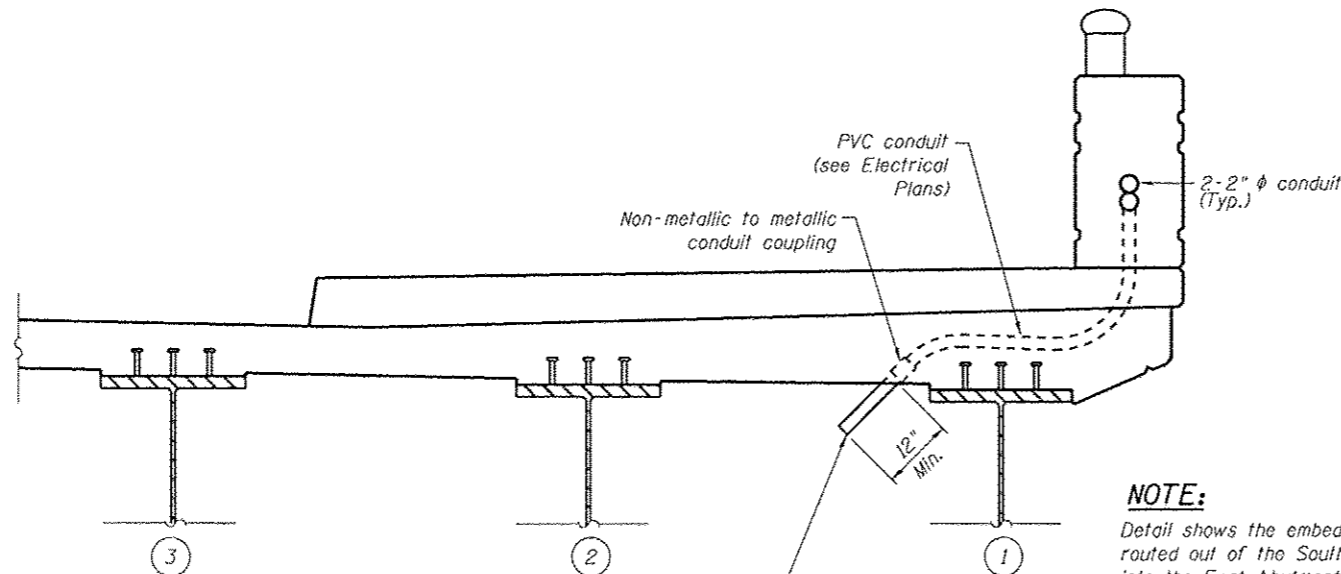


DECK CROSS SECTION
(Looking East)



NOTES:

1. Work this sheet with sheet S1-16.
2. Proposed conduit support system is shown for information only on sheets 298A thru 298C. The concrete inserts will be provided to the Contractor by ComEd. The Contractor is responsible for placing inserts per layout details and ComEd direction. ComEd may elect to provide support to Contractor for final insert placement in advance of pouring concrete. There is no separate payment for the placement of inserts. The work involved in placing inserts is included within Concrete Superstructure.
3. Space inserts at 10'-0" cts max longitudinally, full length of bridge (see framing plans). Cost of inserts included in Concrete Superstructure. See electrical plans for conduit support and insert details.

NOTE:

Detail shows the embedded conduits routed out of the South Parapet into the East Abutment. See sheet S1-19 for other locations of conduit embedded in parapet.

0161713-60W26-S18-Deck

AECOM

USER NAME = krtizm	DESIGNED - EJO	REVISED Δ 10/15/2013 EJO, BRD
PLOT SCALE = N.T.S.	CHECKED - ATB	REVISED
PLOT DATE = 9/15/2013	DRAWN - BRD	REVISED
	CHECKED - EJO	REVISED

STATE OF ILLINOIS
DEPARTMENT OF TRANSPORTATION

DECK CROSS SECTION
STRUCTURE NO. 016-1713

SHEET NO. S1-18 OF S1-48 SHEETS

F.A.I. RTE.	SECTION	COUNTY	TOTAL SHEETS	SHEET NO.
90/94/290	2013-008R	COOK	559	268
CONTRACT NO. 60W26			ILLINOIS FED. AID PROJECT	