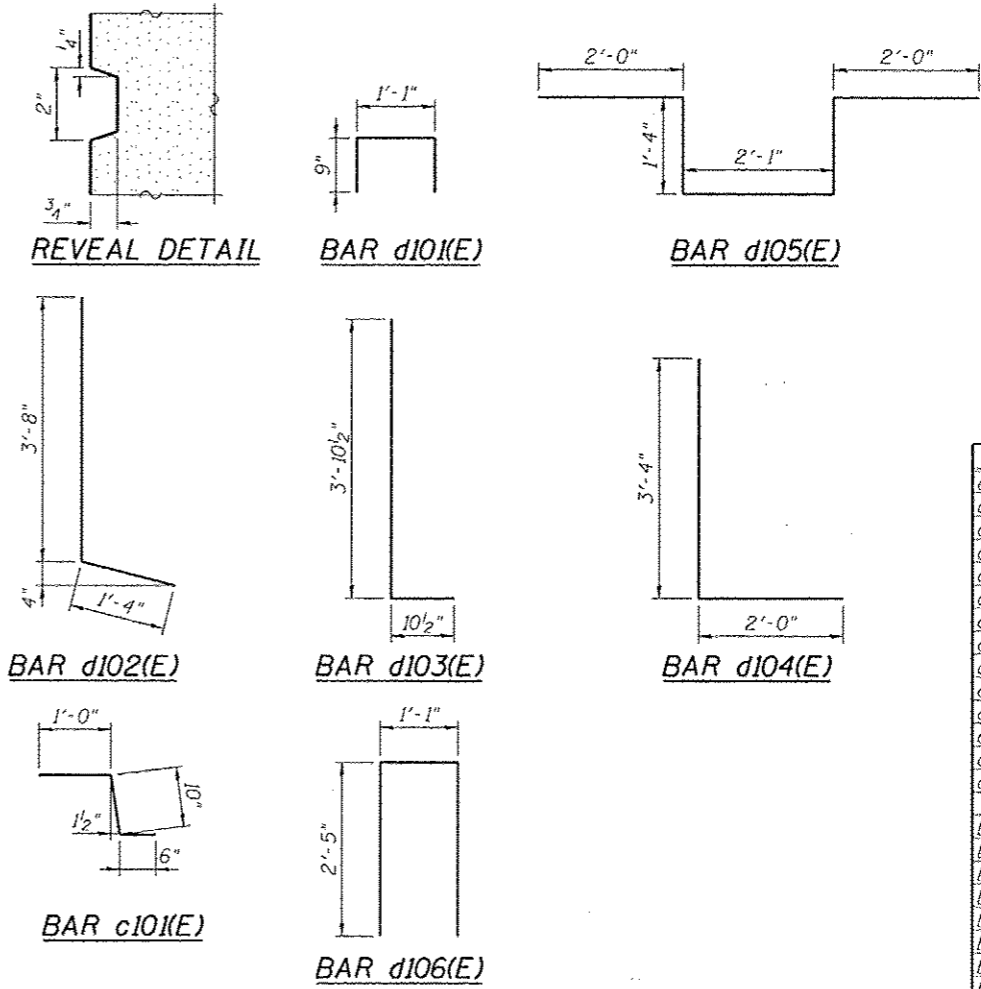


SECTION THRU SIDEWALK
(Typ. both sidewalks)

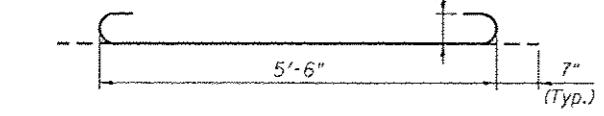


BILL OF MATERIAL

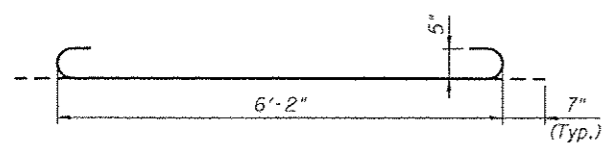
Bar	No.	Size	Length	Shape
a101(E)	402	#5	47'-4"	—
a102(E)	390	#5	23'-7"	—
a103(E)	33	#5	6'-8"	—
a104(E)	3	#5	25'-11"	—
a105(E)	12	#5	27'-9"	—
a106(E)	343	#5	22'-5"	—
a107(E)	315	#5	46'-1"	—
a108(E)	6	#5	26'-2"	—
a109(E)	18	#5	49'-1"	—
a110(E)	14	#5	50'-7"	—
a111(E)	8	#5	24'-9"	—
a112(E)	3	#5	23'-2"	—
a113(E)	12	#5	24'-9"	—
a114(E)	33	#5	7'-4"	—
b101(E)	385	#5	30'-1"	—
b102(E)	374	#5	28'-5"	—
b103(E)	204	#6	26'-11"	—
b104(E)	396	#5	27'-10"	—
b105(E)	336	#5	26'-4"	—
b106(E)	154	#5	30'-1"	—
b107(E)	154	#5	26'-6"	—
b108(E)	3	#5	13'-2"	—
b109(E)	2	#5	8'-8"	—
c101(E)	551	#5	2'-4"	—
c102(E)	551	#5	11'-8"	—
c103(E)	14	#5	13'-5"	—
d101(E)	116	#4	2'-7"	—
d102(E)	614	#4	5'-0"	—
d103(E)	614	#6	4'-9"	—
d104(E)	18	#6	5'-4"	—
d105(E)	30	#6	8'-9"	—
d106(E)	4	#4	5'-11"	—
e101(E)	192	#4	19'-7"	—
e102(E)	8	#4	16'-10"	—
e103(E)	16	#4	11'-1"	—
e104(E)	8	#4	10'-6"	—
e105(E)	24	#4	9'-7"	—
e106(E)	4	#4	2'-2"	—
x101(E)	55	#5	6'-5"	—
x102(E)	55	#5	7'-1"	—
Reinforcement Bars, Epoxy Coated		Pound	136,350	
Concrete Superstructure		Cu. Yd.	818	
Bridge Deck Grooving		Sq. Yd.	1324	
Protective Coat		Sq. Yd.	2588	

NOTES:

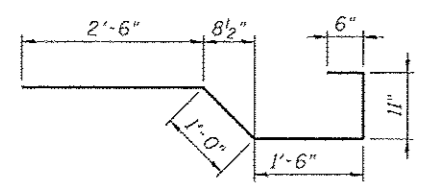
- Bars indicated thus: 4x3-#5 etc. indicates 4 lines of bars with 3 lengths per line.
- 1/2" clear cover unless noted otherwise.
- x102(E) bars are placed parallel to beams. a114(E), a104(E), and a105(E) bars are placed parallel to skew.
- See sheet SI-21 for Decorative Railing details.
- See sheet SI-27 for Expansion Joint details.



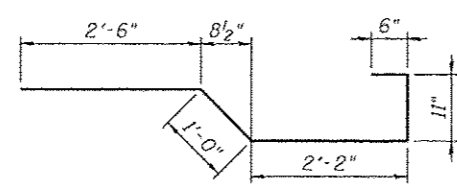
BAR a103(E)



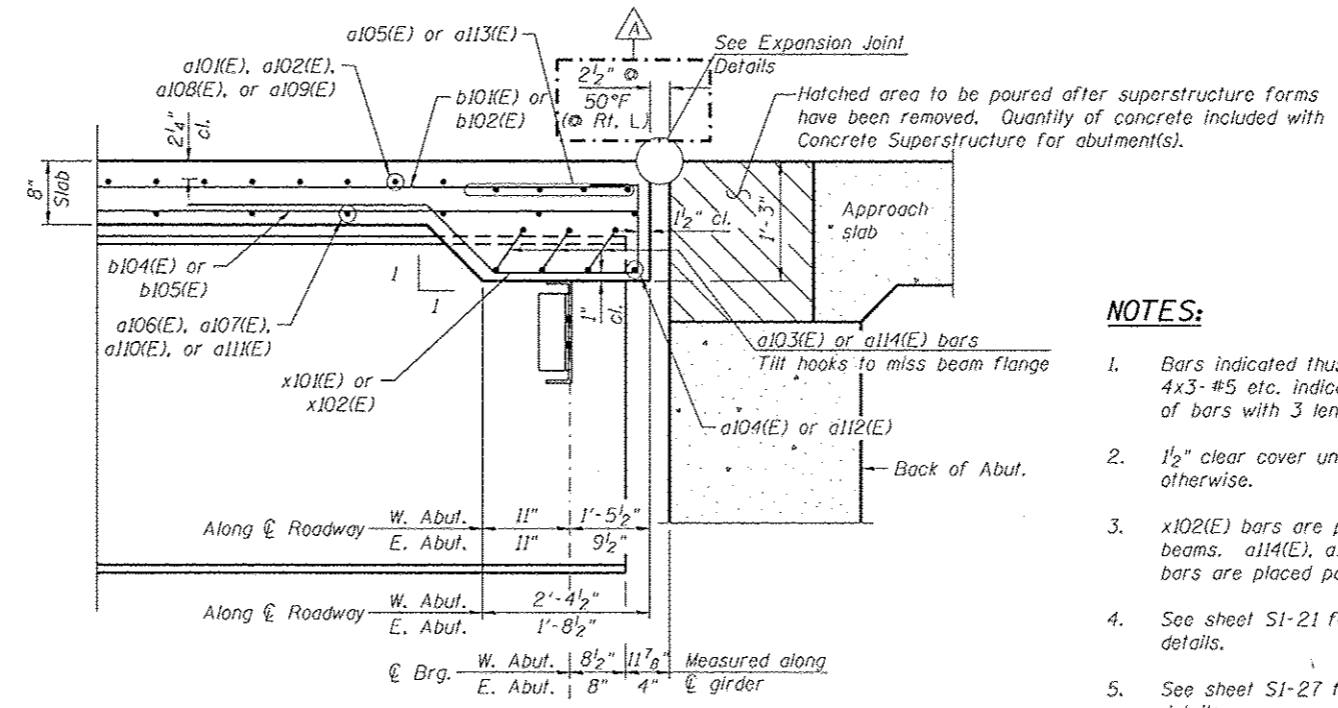
BAR a114(E)



BAR x101(E)



BAR x102(E)



SECTION A-A AT EXPANSION JOINT
(Typ. both ends of deck)

0161713-60W26-S20-Deck



USER NAME - krltzm
DESIGNED - EJO
CHECKED - ATB
PLOT SCALE - N.T.S.
DRAWN - BRD
PLOT DATE - 9/15/2013

DESIGNED - EJO
CHECKED - ATB
DRAWN - BRD
CHECKED - EJO

REVISED 10/15/2013 EJO, BRD
REVISED
REVISED
REVISED

STATE OF ILLINOIS
DEPARTMENT OF TRANSPORTATION

DECK DETAILS
STRUCTURE NO. 016-1713
SHEET NO. SI-20 OF SI-48 SHEETS

F.A.I. RTE.	SECTION	COUNTY	TOTAL SHEETS	SHEET NO.
90/94/290	2013-008R	COOK	559	270
CONTRACT NO. 60W26			ILLINOIS FED. AID PROJECT	