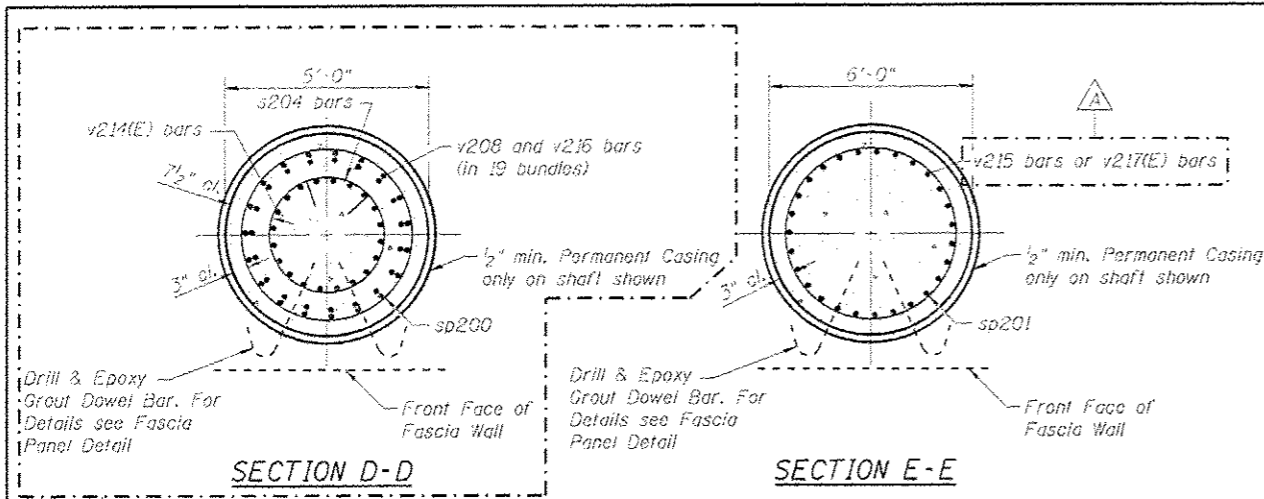
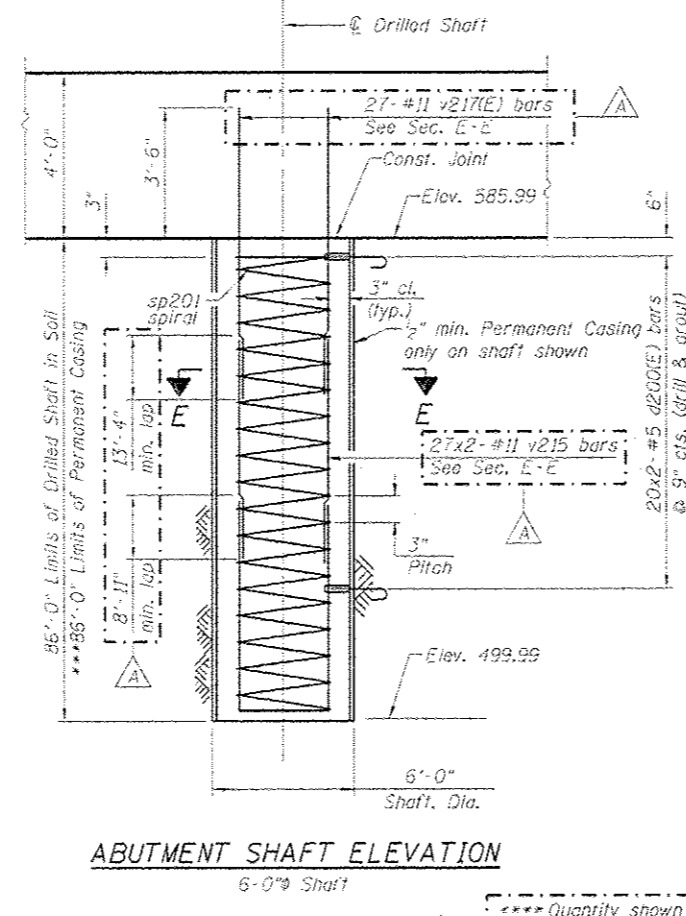
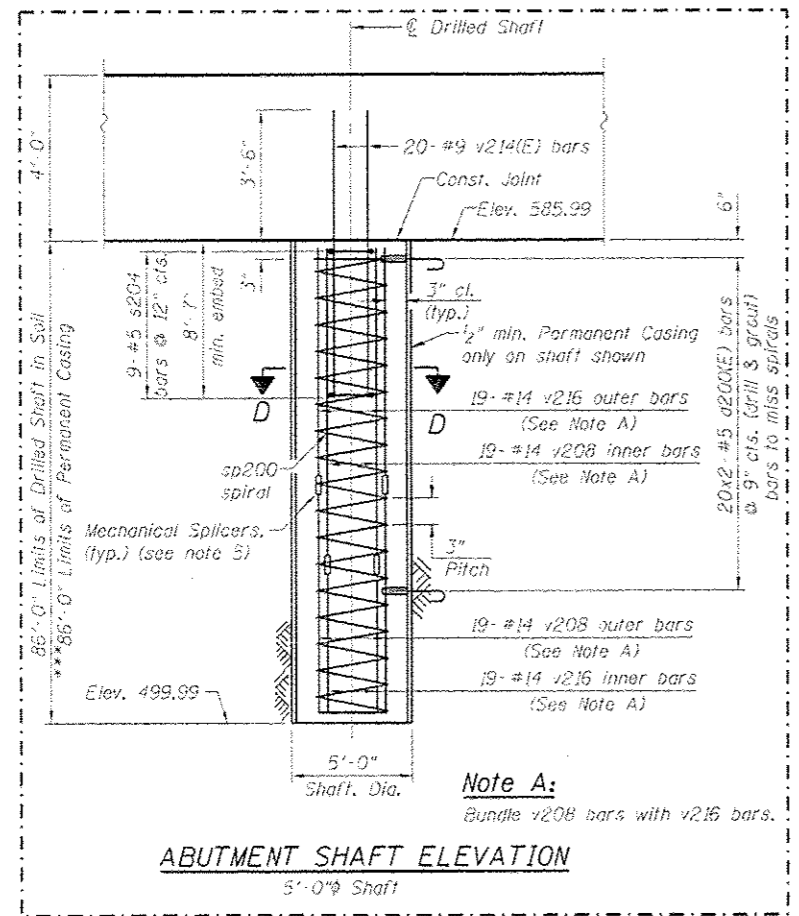
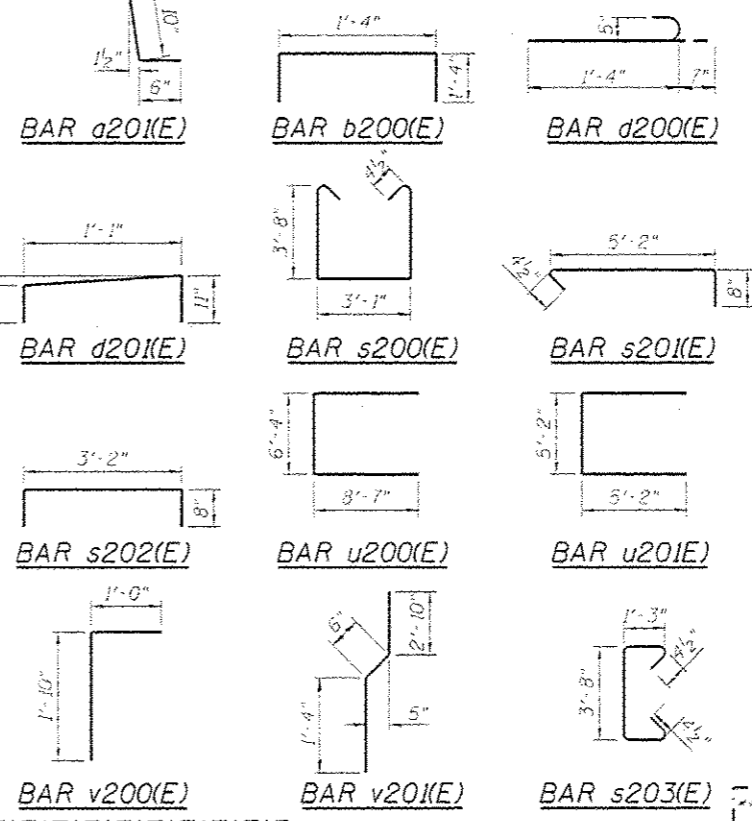
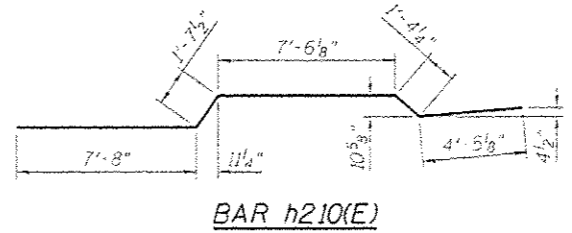
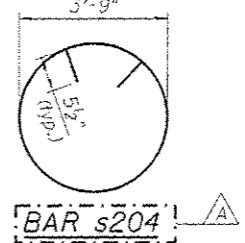
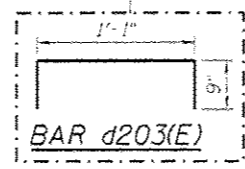
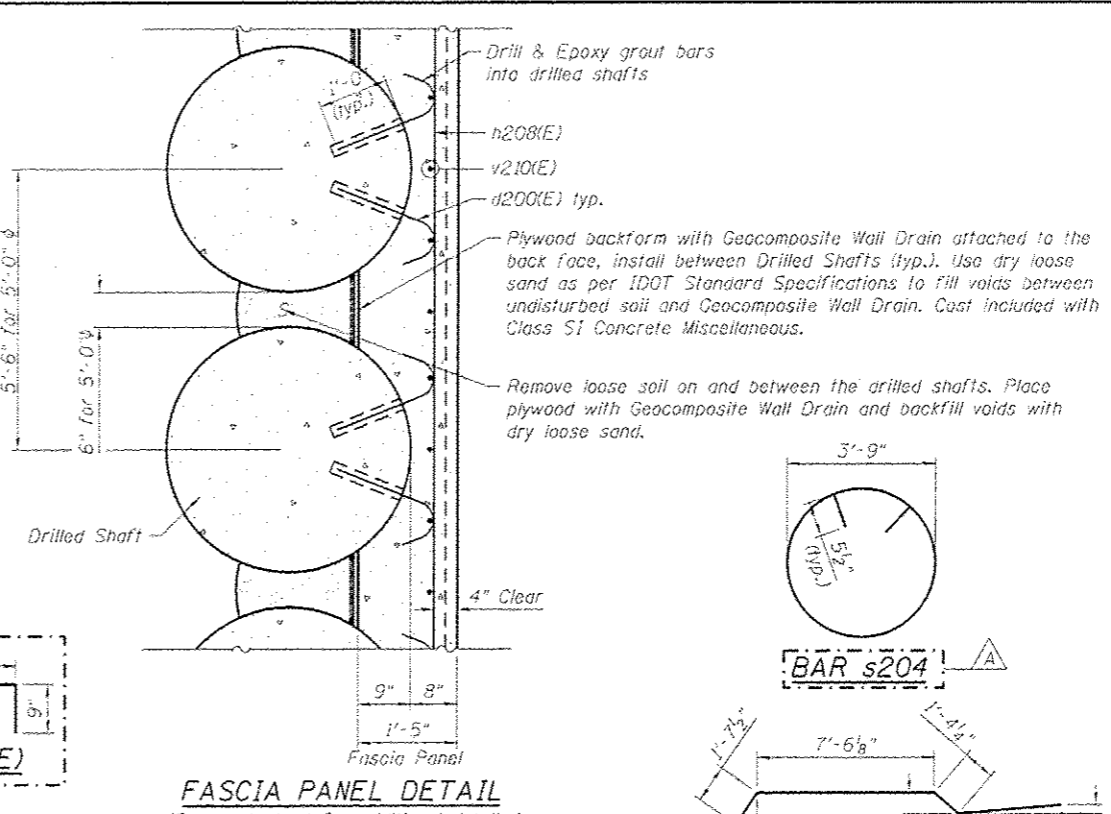


WEST ABUTMENT BILL OF MATERIAL

Bar	No.	Size	Length	Shape
a200(E)	4	#5	11'-9"	
a201(E)	4	#5	2'-4"	
b200(E)	25	#5	4'-0"	
d200(E)	560	#5	1'-11"	
d201(E)	11	#5	2'-10"	
d202(E)	22	#5	7'-7"	
d203(E)	4	#4	2'-7"	
s200(E)	12	#5	9'-5"	
h200(E)	36	#5	27'-10"	
h201(E)	15	#5	27'-10"	
h202(E)	22	#5	1'-4"	
h203(E)	16	#4	5'-10"	
h204(E)	16	#4	5'-10"	
h205(E)	16	#5	1'-4"	
h206(E)	24	#5	9'-6"	
h207(E)	8	#5	5'-0"	
h208(E)	93	#5	31'-2"	
h209(E)	16	#5	9'-6"	
h210(E)	31	#5	22'-7"	
p200(E)	36	#7	32'-5"	
p201(E)	18	#6	31'-6"	
p202(E)	8	#5	34'-4"	
p203(E)	8	#5	27'-10"	
p204(E)	8	#5	14'-10"	
p205(E)	14	#9	18'-2"	
p206(E)	3	#6	18'-2"	
s200(E)	176	#4	11'-2"	
s201(E)	88	#4	6'-2 1/2"	
s202(E)	147	#4	4'-6"	
s203(E)	20	#4	6'-11"	
s204	108	#5	12'-8 3/8"	
sp200	12	#6	85'-9"	
sp201	2	#6	85'-9"	
u200(E)	5	#6	23'-6"	
u201(E)	5	#6	15'-6"	
v200(E)	78	#5	2'-10"	
v201(E)	78	#5	4'-8"	
v202(E)	78	#6	9'-6"	
v203(E)	78	#6	7'-0"	
v204(E)	5	#6	13'-0"	
v205(E)	12	#4	6'-0"	
v206(E)	12	#4	6'-0"	
v207(E)	5	#6	11'-7"	
v208	456	#14	45'-0"	
v209(E)	22	#5	7'-1"	
v210(E)	88	#5	14'-8"	
v211(E)	11	#6	8'-0"	
v212(E)	22	#6	9'-0"	
v213(E)	22	#5	14'-8"	
v214(E)	240	#9	12'-1"	
v215	108	#11	36'-9"	
v216	456	#14	41'-0"	
v217(E)	54	#11	38'-3"	
Granular Backfill for Structures		Cu. Yd.	236	
Structure Excavation		Cu. Yd.	712	
Concrete Structures		Cu. Yd.	112	
Concrete Superstructure		Cu. Yd.	13	
Reinforcement Bars		Pound	427540	
Reinforcement Bars, Epoxy Coated		Pound	38990	
Permanent Casing		Foot	172	
Drilled Shaft In Soil		Cu. Yd.	931	
Concrete Sealer		Sq. Ft.	2499	
Geocomposite Wall Drain		Sq. Yd.	77	
Pipe Underdrain for Structures 4"		Foot	199	
Class SI Concrete Miscellaneous		Cu. Yd.	41	
Crosshole Sonic Logging		Each	1	



- NOTES:**
- When splicing spiral reinforcement is necessary, the spiral shall be provided with 1/2 extra turns at the ends to be spliced. These additional turns shall either be welded together according to AWS D1.4 or shall both terminate with a 135° standard hook.
 - Drilling and grouting of d200(E) bars included with Class SI Concrete Miscellaneous pay item.
 - Bars noted thus, 3x2-#5 indicates 3 lines of bars with 2 lengths of bars per line.
 - For details of Bar Splicers see sheet SI-45.
 - Contractor to use Mechanical Splicers in drilled shafts that will fit between spirals.



Note A:
Bundle v208 bars with v216 bars.

*** Contractor may need to increase the casing thickness to withstand the installation process. See Article 516.06(a) of the Standard Specifications.

**** Quantity shown is for Geocomposite Wall Drain behind W. Abut. Geocomposite Wall Drain between shafts shall be included with Class SI Concrete Miscellaneous. Estimated Quantity = 31 Sq. Yd.

* Length is height of spiral
** Shown for information only. Cost included with Class SI Concrete Miscellaneous

0161713-60R26-S35-Abutment



USER NAME: dunkerleyp	DESIGNED: EJO	REVISED: 10/15/2013 EJO, BRD
PROJECT: N.T.S.	CHECKED: ATB	
DATE: 2/15/2013	DRAWN: BRD	
	CHECKED: EJO	

STATE OF ILLINOIS
DEPARTMENT OF TRANSPORTATION

WEST ABUTMENT DETAILS
STRUCTURE NO. 016-1713

SHEET NO. S1-36 OF S1-48 SHEETS

F.A.I. RTL. 90/94/290	SECTION 2013-008R	COUNTY COOK	TOTAL SHEETS 286
CONTRACT NO. 60W26			ILLINOISIFIED AID PROJECT