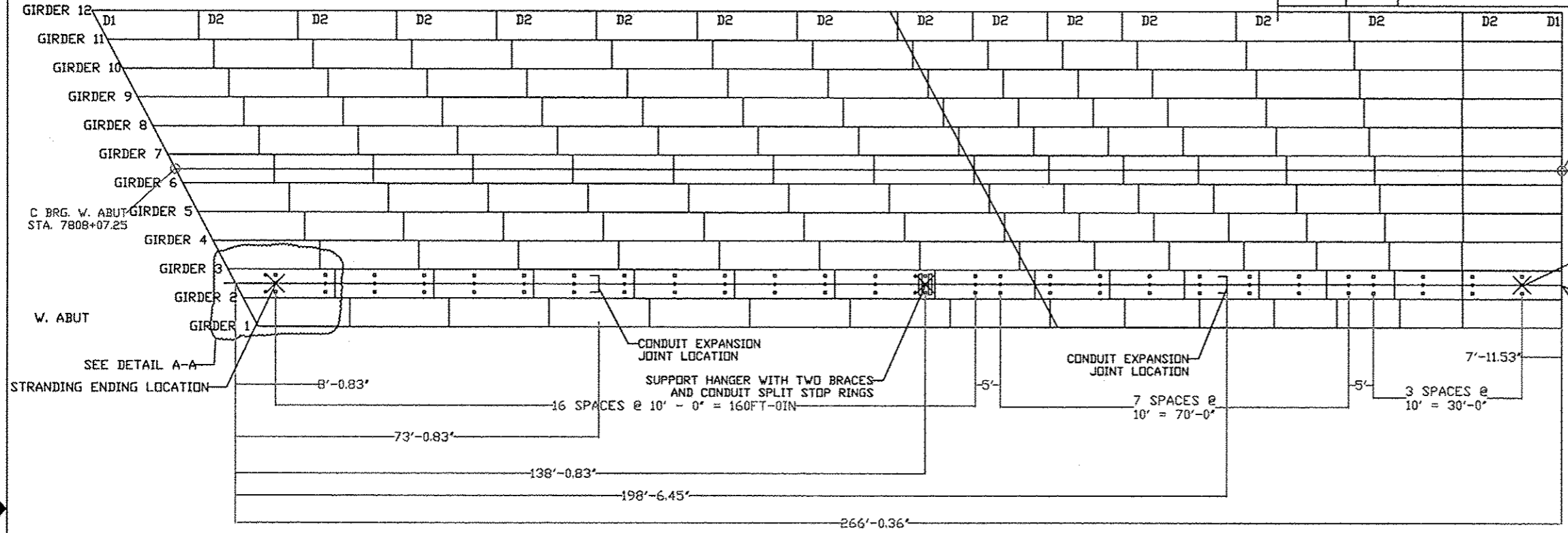


| REVISIONS |     |             |            |          |
|-----------|-----|-------------|------------|----------|
| ZONE      | REV | DESCRIPTION | DATE       | APPROVED |
|           | 1.0 | ADDENDUM A  | 10/15/2013 | BRIAN BB |



SUPPORT HANGER AND CONDUIT LAYOUT

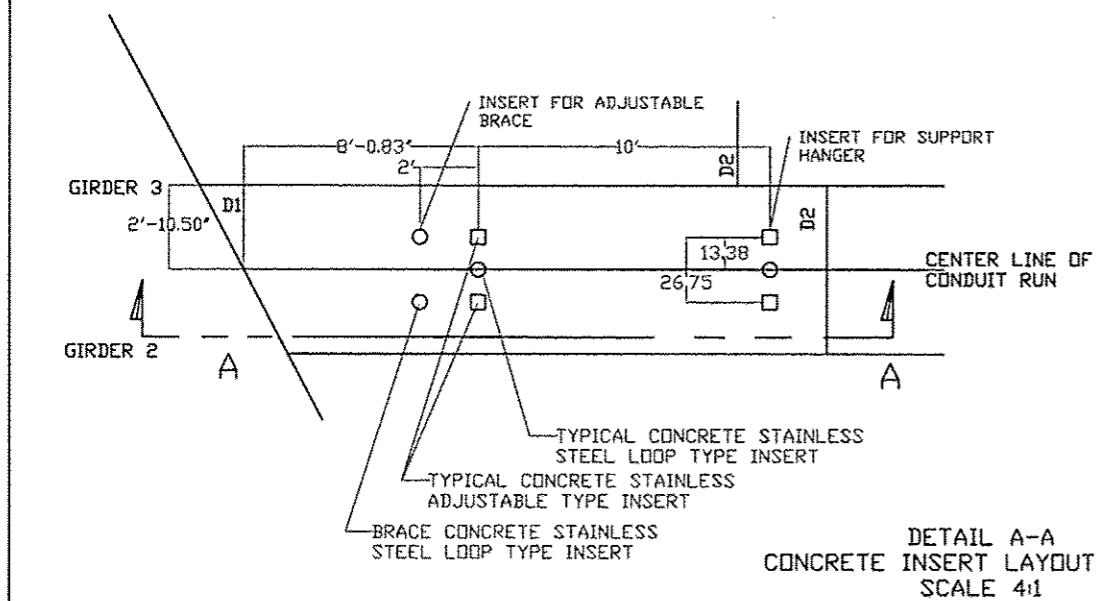
C. BRG. E. ABUT  
STA. 7810+85.50  
C AND PGL  
HARRISON STREET

STRANDING ENDING LOCATION

C. COM ED DUCTS  
NORTH BOUND

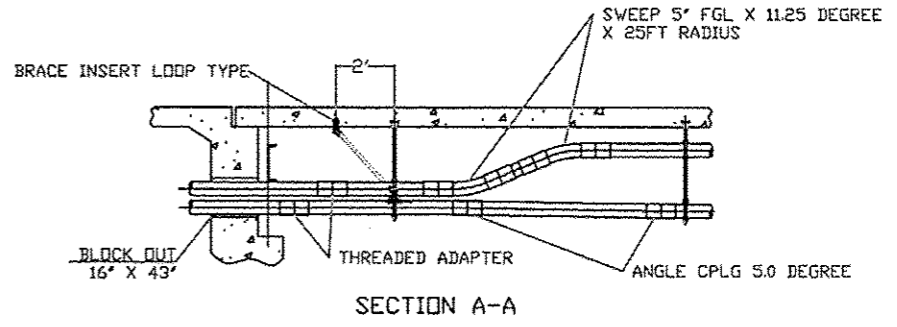
EXTEND FIBERGLASS CONDUIT OUT PASS  
APPROACH PAD

E. ABUT



DETAIL A-A  
CONCRETE INSERT LAYOUT DETAIL  
SCALE 4:1

FOR INFORMATION ONLY  
WORK TO BE PERFORMED BY OTHERS  
WITH THE EXCEPTION OF PLACEMENT  
OF INSERTS INTO SUPERSTRUCTURE



This drawing is the property of Condux International, Inc. and the information thereon is to be treated as confidential. It is not to be used, copied or disclosed to outside parties without our written consent.

Note: ALL MEASUREMENTS ARE IN INCHES UNLESS NOTED OTHERWISE

DRAWING APPROVAL  
I APPROVE THIS DRAWING FOR MANUFACTURING  
DATE: \_\_\_\_\_

|                                    |           |  |                   |     |
|------------------------------------|-----------|--|-------------------|-----|
| CONDUIT SUPPORT AND CONDUIT LAYOUT |           | CONDUX INTERNATIONAL, INC.<br>MANKATO MN<br>PH. 800-533-2077   |                   |     |
|                                    |           | Project: ComEd<br>Harrison Street Bridge over F.A.I. RTE SB 90/94<br>Dan Ryan Expressway, Cook County Illinois |                   |     |
| WEIGHT: 0.0 LBS EA                 | SIZE      | FSCM NO.   | DWG NO.           | REV |
| QUOTE NO. 3985214498               | SCALE 1/2 |  | TBA               | 1.0 |
|                                    |           | DATE: 09-11-2013   | SHEET 298B OF 559 |     |