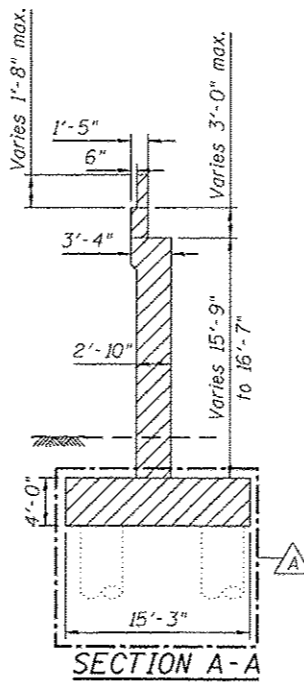
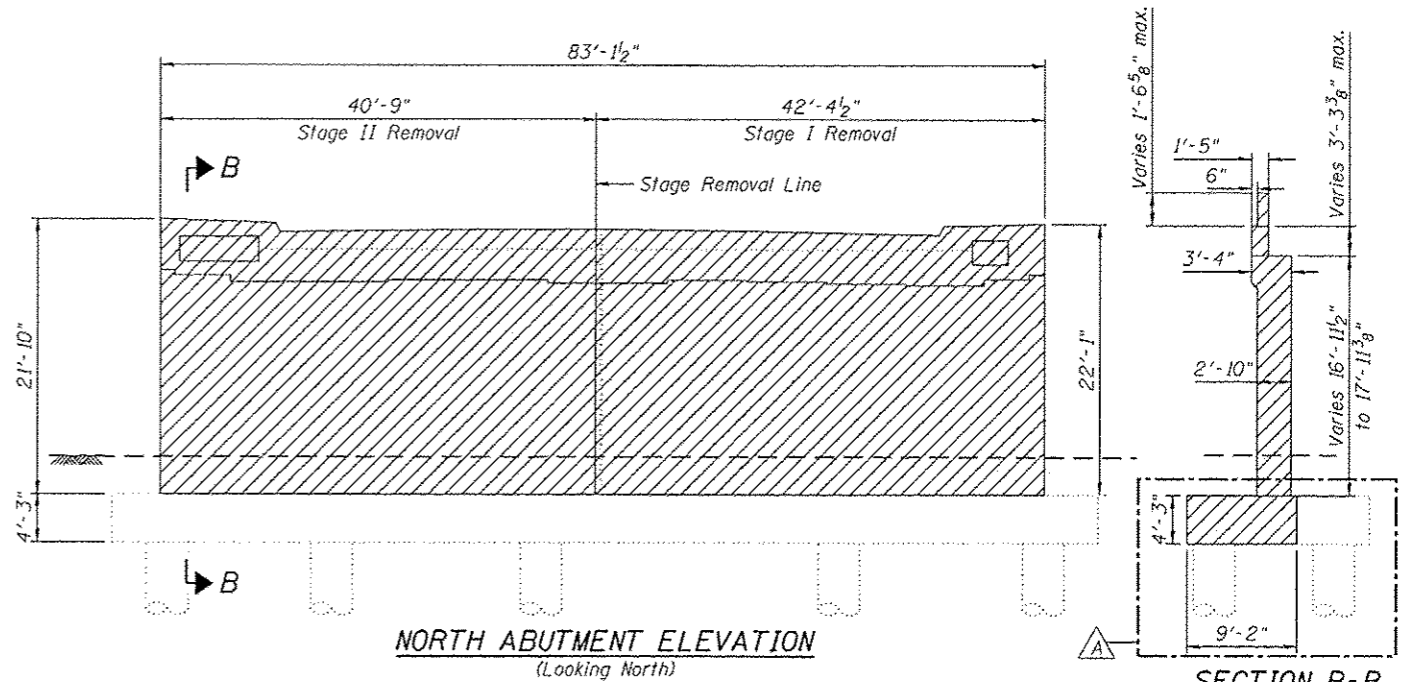


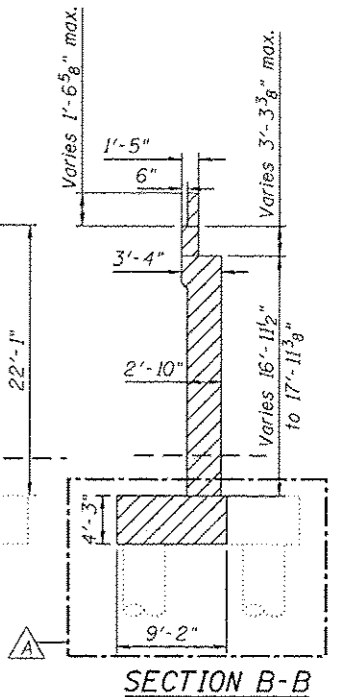
SOUTH ABUTMENT ELEVATION
(Looking South)



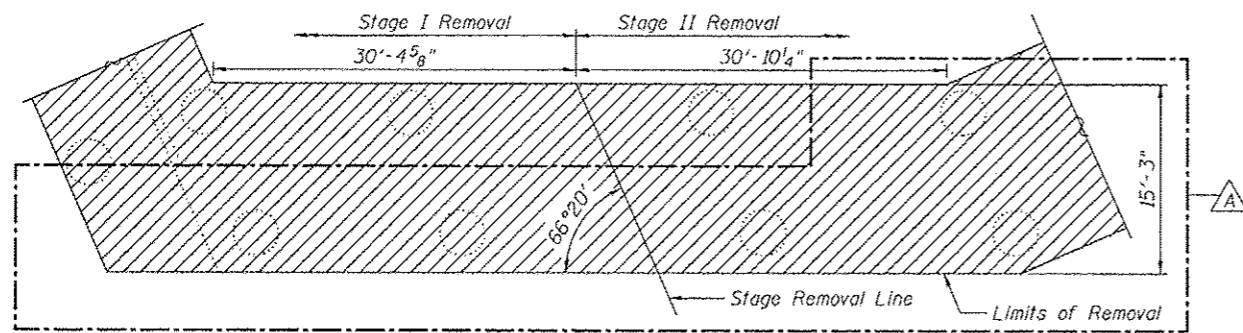
SECTION A-A



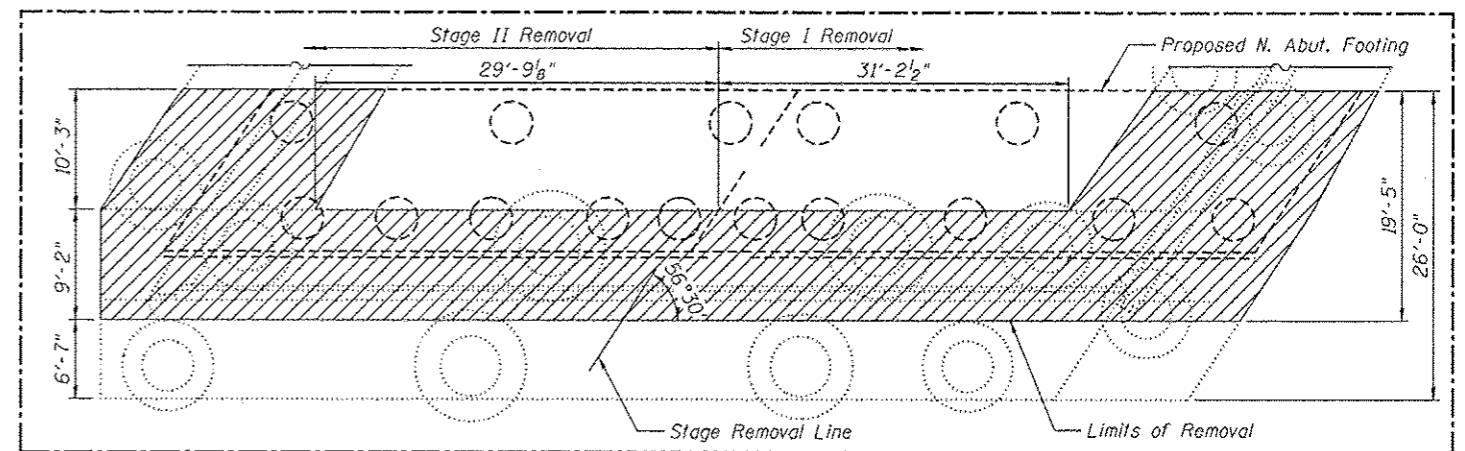
NORTH ABUTMENT ELEVATION
(Looking North)



SECTION B-B



SOUTH ABUTMENT FOUNDATION PLAN



NORTH ABUTMENT FOUNDATION PLAN

LEGEND:

Removal of Existing Structures No. 2

0161716-60W26-S013-Removal_Detail2.dgn



USER NAME = BAWifort	DESIGNED - KAH	REVISED 10/15/2013 KAH
PLOT SCALE = 8:0 1/2" / 1"	CHECKED - JRM/MDS	REVISED
PLOT DATE = 10/14/2013	DRAWN - KAH	REVISED
	CHECKED - JRM/MDS	REVISED

STATE OF ILLINOIS
DEPARTMENT OF TRANSPORTATION

EXISTING STRUCTURE REMOVAL DETAILS 2
STRUCTURE NO. 016-1716

SHEET NO. S2-13 OF S2-81 SHEETS

F.A.J. RTE.	SECTION	COUNTY	TOTAL SHEETS	SHEET NO.
3730	2013-008R	COOK	559	373
CONTRACT NO. 60W26			ILLINOIS FED. AID PROJECT	