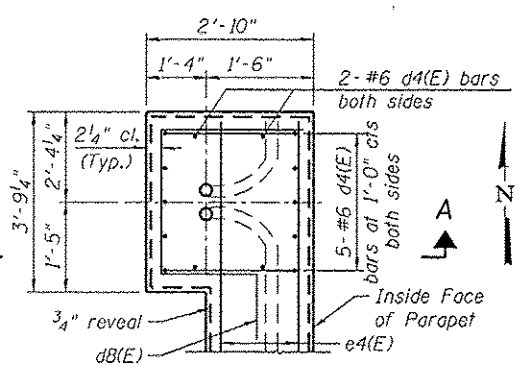
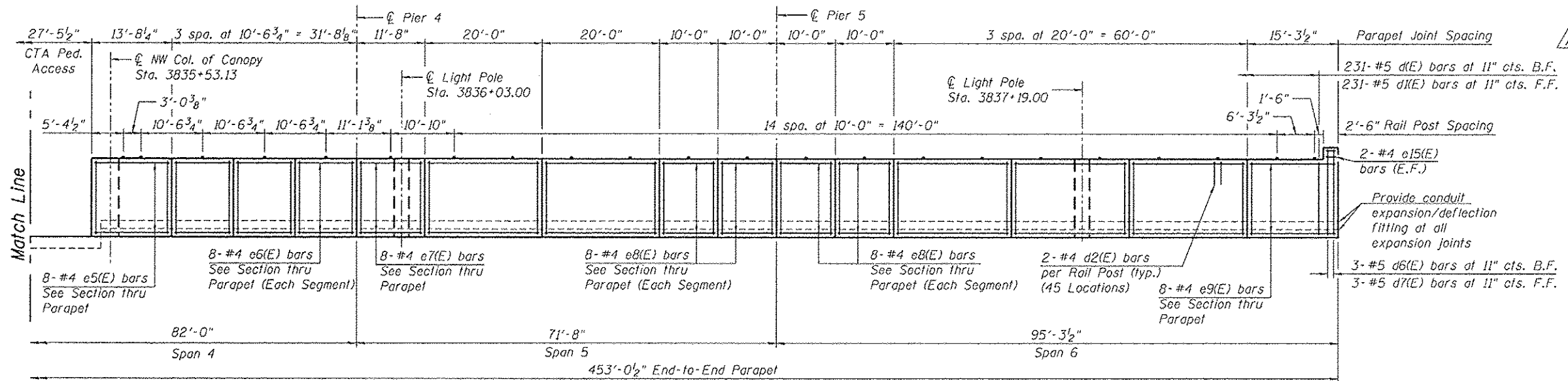


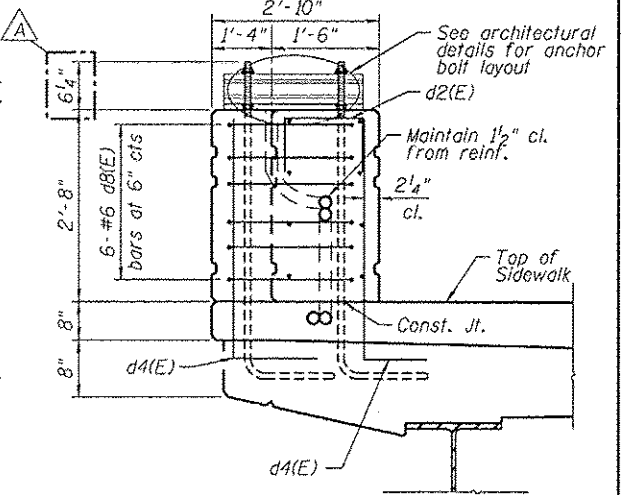
**INSIDE ELEVATION OF WEST PARAPET**  
(Looking West)



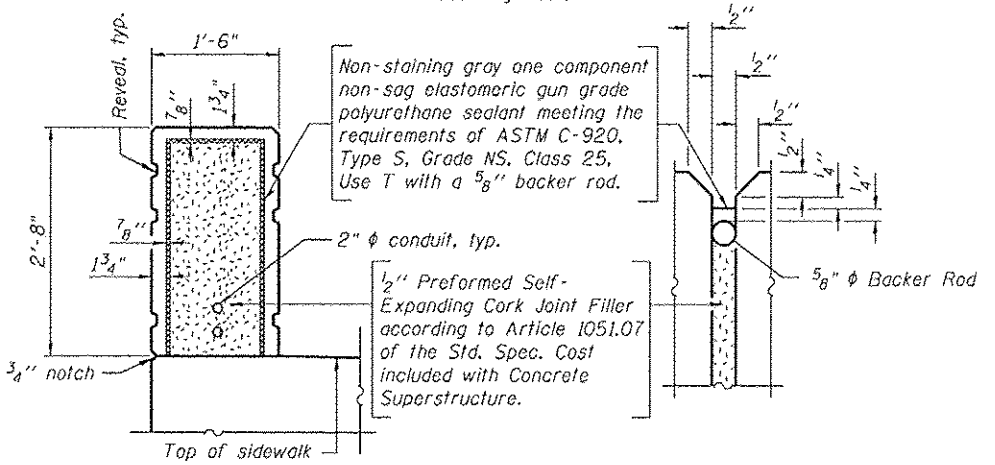
**PARAPET DETAIL AT SOUTHWEST CANOPY COLUMN**



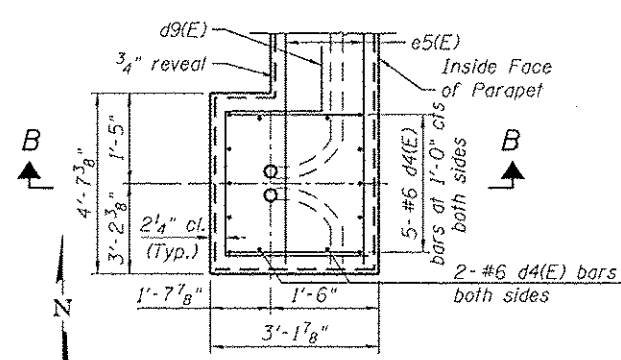
**INSIDE ELEVATION OF WEST PARAPET**  
(Looking West)



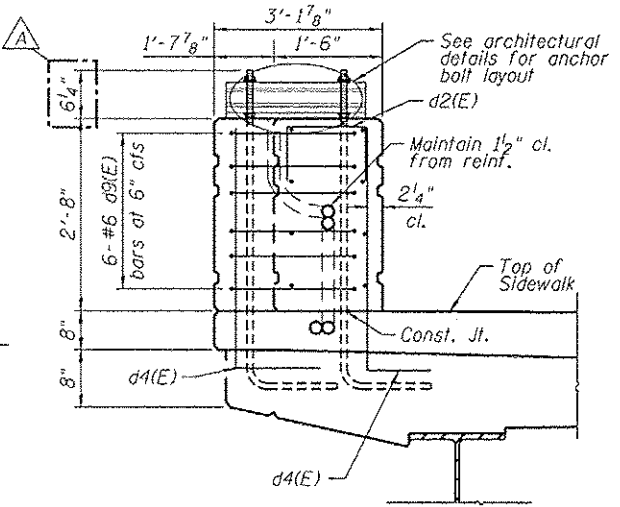
**SECTION A-A**



**PARAPET JOINT DETAILS**



**PARAPET DETAIL AT NORTHWEST CANOPY COLUMN**



**SECTION B-B**

**Notes:**  
 For notes, bar diagrams, section through parapet and bill of material, see Sheet S2-30 of S2-81.  
 All edges shall be chamfered 3/4".  
 For architectural details on the parapets and Decorative Railing (Parapet Mounted) details, see Sheet S2-36 of S2-81.  
 For Bridge Fence Railing (Special) details, see Sheet S2-37 of S2-81.  
 For Bridge Fence Railing (Special) layout and post spacing, see Sheet S2-38 of S2-81.  
 For parapet detail at lightpole and anchor rod details, see Sheet S2-33 of S2-81.  
 The cost of reveal is included in cost of Concrete Superstructure.

12:11:08 PM 0161716-60W26-S032-Parapet-west.dgn



USER NAME - BAWifort	DESIGNED - WJC	REVISED - 10/15/2013 WJC
PLT SCALE - 0:1.0000 "/> <td>CHECKED - DL</td> <td>REVISED</td>	CHECKED - DL	REVISED
PLT DATE - 10/14/2013	DRAWN - WJC	REVISED
	CHECKED - DL	REVISED

**STATE OF ILLINOIS**  
**DEPARTMENT OF TRANSPORTATION**

**WEST PARAPET ELEVATION AND DETAILS**  
**STRUCTURE NO. 016-1716**

F.A.U. RTE. 3730	SECTION 2013-008R	COUNTY COOK	TOTAL SHEETS 559	SHEET NO. 392
CONTRACT NO. 60W26			ILLINOIS FED. AID PROJECT	

SHEET NO. S2-32 OF S2-81 SHEETS