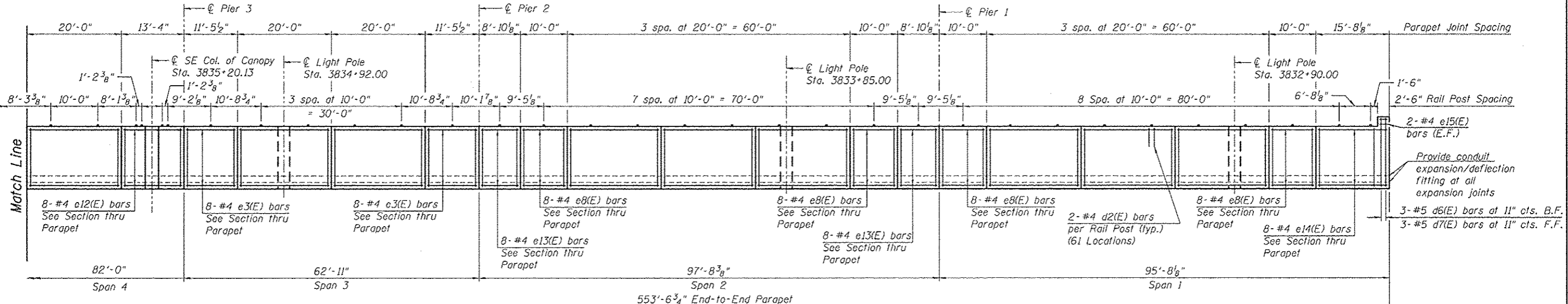
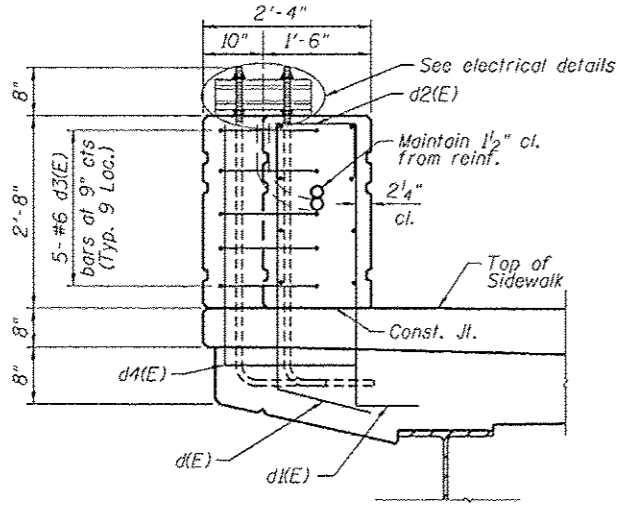


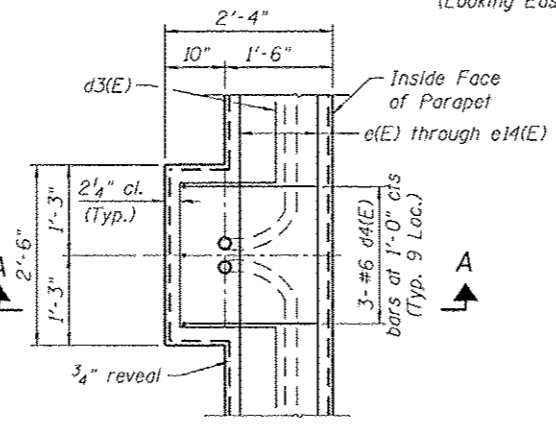
INSIDE ELEVATION OF EAST PARAPET
(Looking East)



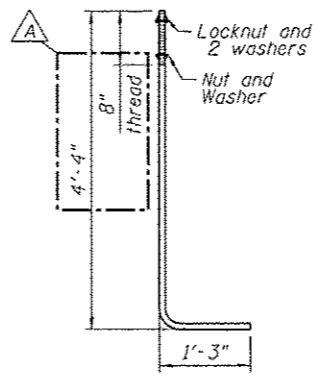
INSIDE ELEVATION OF EAST PARAPET
(Looking East)



SECTION A-A

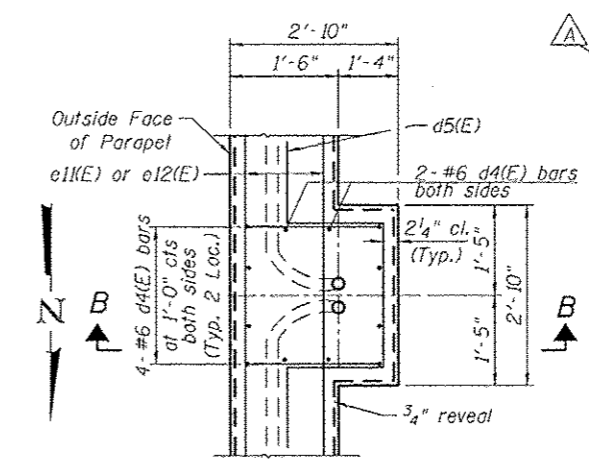


PARAPET DETAIL AT LIGHTPOLE

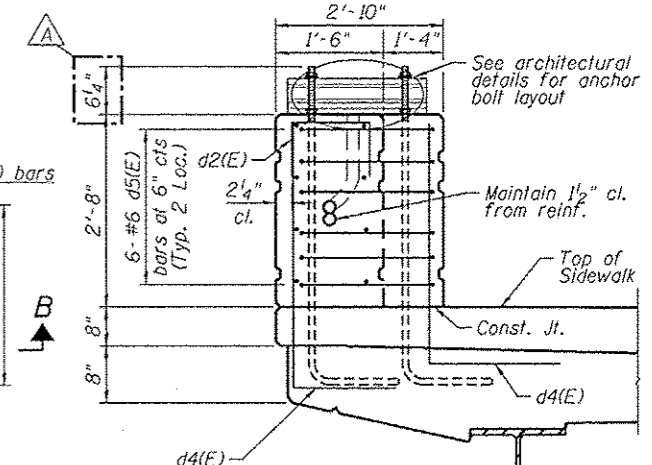


ANCHOR ROD

Cost of anchor rods is included with Concrete Superstructure.



PARAPET DETAIL AT EAST CANOPY COLUMNS



SECTION B-B

Notes:
For notes, see Sheet S2-32 of S2-81.

12:10:39 PM 0161716-10126-5033-Parapet-East.dgn



USER NAME = BAWIort	DESIGNED - WJC	REVISED 10/15/2013 WJC
PLOT SCALE = 0:1,0000 "1" / In.	CHECKED - DL	REVISED
PLOT DATE = 10/14/2013	DRAWN - WJC	REVISED
	CHECKED - DL	REVISED

STATE OF ILLINOIS
DEPARTMENT OF TRANSPORTATION

EAST PARAPET ELEVATION AND DETAILS
STRUCTURE NO. 016-1716
SHEET NO. S2-33 OF S2-81 SHEETS

F.A.U. RTE. 3730	SECTION 2013-008R	COUNTY COOK	TOTAL SHEETS 559	SHEET NO. 393
CONTRACT NO. 60W26			ILLINOIS FED. AID PROJECT	