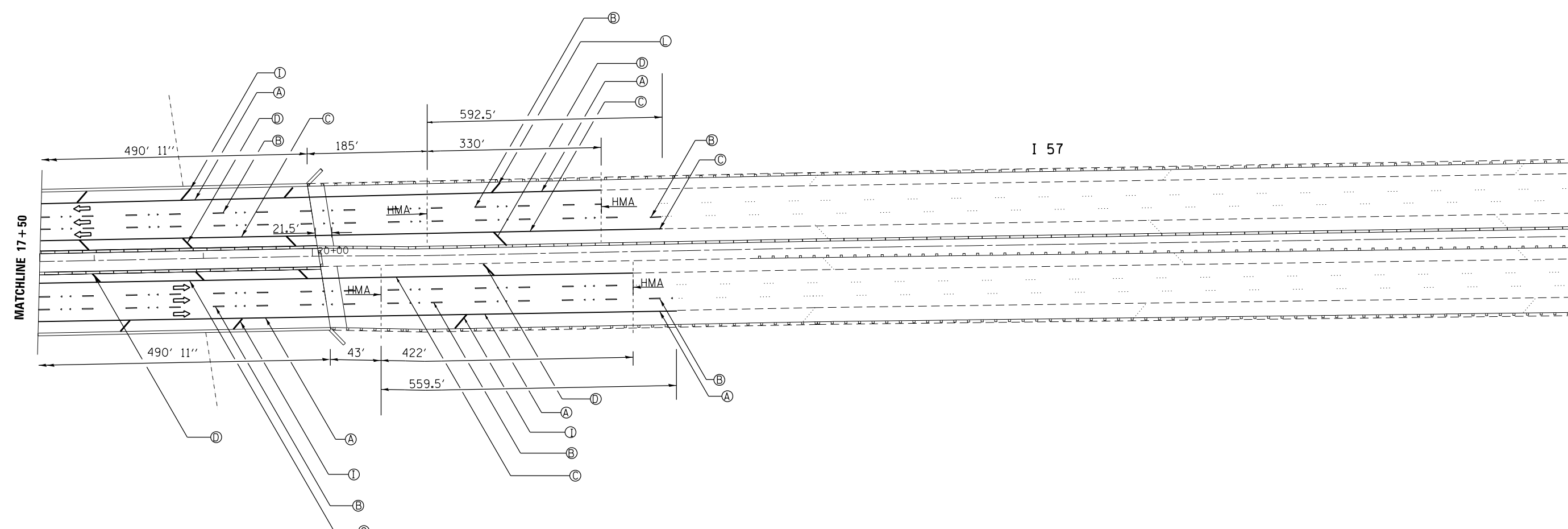


- (A) 4" POLYUREA PMK TY. I - SOLID WHITE (EDGE LINE)
- (B) 5" POLYUREA PMK TY. I - 10' DASH / 30' SKIP WHITE
- (C) 4" POLYUREA PMK TY. I - SOLID YELLOW (EDGE LINE)
- (D) 12" POLYUREA PMK TY. I - RT. 45 DIAGONAL YELLOW @ 40' C-C (SHOULDER)
- (I) 12" POLYUREA PMK TY. I - RT. 45 DIAGONAL WHITE @ 40' C-C (SHOULDER)
- (J) RAISED REFLECTIVE PAVEMENT MARKERS



FILE NAME = c:\pw_work\pwork\hardnettr\d0345314\034313-sh1-plan.dgn	USER NAME = hardnettr	DESIGNED -	REVISED -	<b>STATE OF ILLINOIS DEPARTMENT OF TRANSPORTATION</b>	<b>PAVEMENT MARKING I-57 OVER CAL-SAG CHANNEL</b>			F.A.I. RTE.	SECTION	COUNTY	TOTAL SHEETS	SHEET NO.
	PLOT SCALE = 100.0000' / in.	CHECKED -	REVISED -					57	2013-025-I	COOK	23	19
Default	PLOT DATE = 8/30/2013	DATE -	REVISED -	SCALE:	SHEET	OF SHEETS	STA.	TO STA.	ILLINOIS FED. AID PROJECT CONTRACT NO. 60W60			