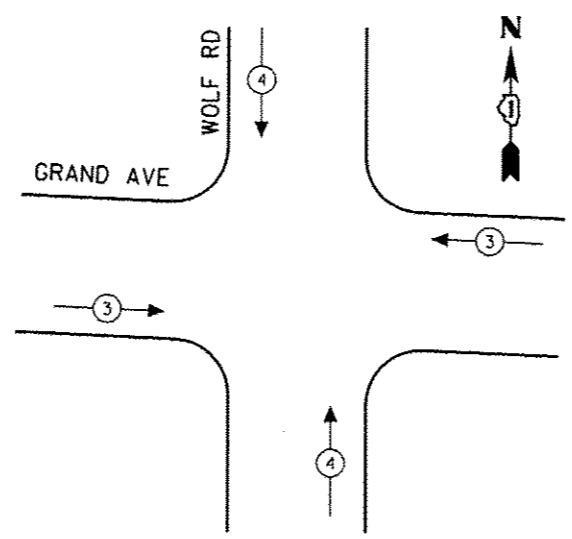


**SCHEDULE OF QUANTITIES**

QUANTITY	UNIT	ITEM
100	SO FT	PORTLAND CEMENT CONCRETE SIDEWALK 5 INCH
27	SO FT	SIGN PANEL - TYPE 1
1	EACH	SERVICE INSTALLATION - POLE MOUNTED
1383	FOOT	UNDERGROUND CONDUIT, GALVANIZED STEEL, 2" DIA.
34	FOOT	UNDERGROUND CONDUIT, GALVANIZED STEEL, 2 1/2" DIA.
97	FOOT	UNDERGROUND CONDUIT, GALVANIZED STEEL, 3" DIA.
389	FOOT	UNDERGROUND CONDUIT, GALVANIZED STEEL, 4" DIA.
8	EACH	HANDHOLE
4	EACH	HEAVY-DUTY HANDHOLE
2	EACH	DOUBLE HANDHOLE
1214	FOOT	ELECTRIC CABLE IN CONDUIT, SIGNAL NO. 14 2C
1577	FOOT	ELECTRIC CABLE IN CONDUIT, SIGNAL NO. 14 3C
1462	FOOT	ELECTRIC CABLE IN CONDUIT, SIGNAL NO. 14 5C
1430	FOOT	ELECTRIC CABLE IN CONDUIT, SIGNAL NO. 14 7C
2490	FOOT	ELECTRIC CABLE IN CONDUIT, LEAD-IN, NO. 14 1 PAIR
268	FOOT	ELECTRIC CABLE IN CONDUIT, SERVICE, NO. 6 2C
867	FOOT	ELECTRIC CABLE IN CONDUIT, EQUIPMENT GROUNDING CONDUCTOR, NO. 6 1C
4	EACH	TRAFFIC SIGNAL POST, GALVANIZED STEEL 16 FT.
1	EACH	STEEL MAST ARM ASSEMBLY AND POLE 32 FT.
1	EACH	STEEL MAST ARM ASSEMBLY AND POLE 34 FT.
1	EACH	STEEL MAST ARM ASSEMBLY AND POLE 38 FT.
1	EACH	STEEL MAST ARM ASSEMBLY AND POLE 40 FT.
16	FOOT	CONCRETE FOUNDATION, TYPE A
4	FOOT	CONCRETE FOUNDATION, TYPE C
46	FOOT	CONCRETE FOUNDATION, TYPE E 36-INCH DIAMETER
8	EACH	SIGNAL HEAD, LED, 1-FACE, 3-SECTION, MAST ARM MOUNTED
4	EACH	SIGNAL HEAD, LED, 1-FACE, 5-SECTION, BRACKET MOUNTED
4	EACH	SIGNAL HEAD, LED, 1-FACE, 5-SECTION, MAST ARM MOUNTED
8	EACH	PEDESTRIAN SIGNAL HEAD, LED, 1-FACE, BRACKET MOUNTED WITH COUNTDOWN TIMER
12	EACH	TRAFFIC SIGNAL BACKPLATE, LOUVERED, ALUMINUM
10	EACH	INDUCTIVE LOOP DETECTOR
782	FOOT	DETECTOR LOOP, TYPE I
8	EACH	PEDESTRIAN PUSH-BUTTON
1	EACH	TEMPORARY TRAFFIC SIGNAL INSTALLATION
2	EACH	RELOCATE EXISTING EMERGENCY VEHICLE PRIORITY SYSTEM, DETECTOR UNIT
1	EACH	RELOCATE EXISTING EMERGENCY VEHICLE PRIORITY SYSTEM, PHASING UNIT
1	EACH	REMOVE EXISTING TRAFFIC SIGNAL EQUIPMENT
14	EACH	REMOVE EXISTING HANDHOLE
8	EACH	REMOVE EXISTING CONCRETE FOUNDATION
307	FOOT	EMERGENCY VEHICLE PRIORITY SYSTEM LINE SENSOR CABLE, NO. 20 3/C, TWISTED, SHIELDED
1	EACH	FULL-ACTUATED CONTROLLER AND SUPER P CABINET, TYPE IV, SPECIAL
1	EACH	UNINTERRUPTIBLE POWER SUPPLY, SPECIAL
1	EACH	TEMPORARY TRAFFIC SIGNAL TIMING

• 100% COST TO LEYDEN FIRE PROTECTION DISTRICT

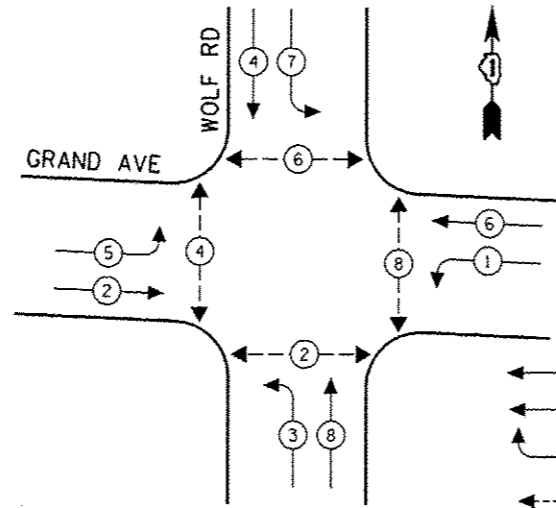
**EMERGENCY VEHICLE PREEMPTION SEQUENCE**



**PROPOSED EMERGENCY VEHICLE PREEMPTORS**

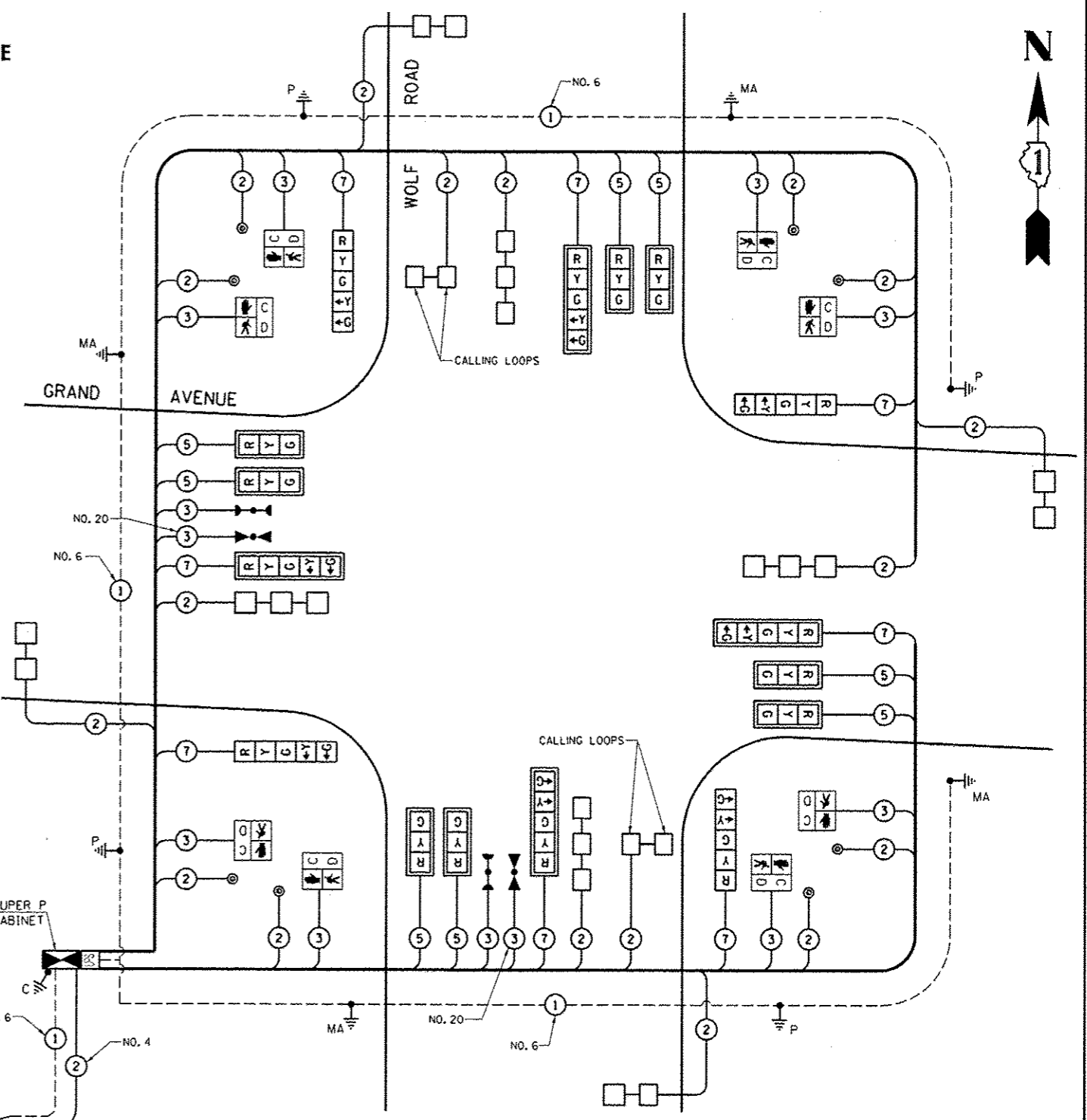
EMERGENCY VEHICLE PREEMPTOR	3	4
MOVEMENT	← →	↑ ↓

**CONTROLLER SEQUENCE**



**PHASE DESIGNATION DIAGRAM**

- LEGEND**
- ◉ DUAL ENTRY PHASE
  - ◐ SINGLE ENTRY PHASE
  - ◊ O.L. OVERLAP
  - ◉ PEDESTRIAN PHASE
  - \* NUMBER REFERS TO ASSOCIATED PHASE



**CABLE PLAN**  
(NOT TO SCALE)

**I.D.O.T. TRAFFIC SIGNAL INSTALLATION ELECTRICAL SERVICE REQUIREMENTS**

TYPE	NO LAMPS	WATTAGE		%OPERATION	TOTAL WATTAGE
		INCAND.	LED		
SIGNAL (RED)	16	17	0.50		136
(YELLOW)	16	25	0.25		100
(GREEN)	16	15	0.25		60
ARROW	16	12	0.10		19.2
PED. SIGNAL	8	25	1.00		200
CONTROLLER	1	100	1.00		100
ILLUM. SIGN		25	0.05		
FLASHER			0.50		
ENERGY COSTS TO:					TOTAL = 615.2

ILLINOIS DEPARTMENT OF TRANSPORTATION  
201 WEST CENTER COURT  
SCHAUMBURG, ILLINOIS 60196-1096  
ENERGY SUPPLY CONTACT: JENNIFER BERTHOLD  
PHONE: (708) 410-5314  
COMPANY: COMMONWEALTH EDISON

THE CONTRACTOR SHALL RELOCATE THE EXISTING EMERGENCY VEHICLE PRIORITY SYSTEM EQUIPMENTS TO THE NEW TRAFFIC SIGNAL INSTALLATION AT GRAND AVENUE AND WOLF ROAD, THE COST WILL BE 100% LEYDEN FIRE PROTECTION DISTRICT RESPONSIBILITY.

REV. 8-19-13

FILE NAME: G:\WP\Design\All PLANS to SPRINGFIELD\2013 Lettings\11-08-2013\2013\BORDON\Files\21	DESIGNED - PKG	REVISED - IRV 8-19-13	STATE OF ILLINOIS DEPARTMENT OF TRANSPORTATION		CABLE PLAN, PHASE DESIGNATION DIAGRAM, EMERGENCY VEHICLE PREEMPTION SEQUENCE, AND SCHEDULE OF QUANTITIES GRAND AVENUE AT WOLF ROAD		F.A.U. RTE. 1376	SECTION 2013-045TS	COUNTY COOK	TOTAL SHEETS 24	SHEET NO. 21
PLOT SCALE: 1/8" = 1'-0"	CHECKED - PKG	REVISED -	CONTRACT NO. 60W98		N.T.S. SHEET NO. OF SHEETS STA. TO STA.		FED. ROAD DIST. NO. ILLINOIS FED. AID PROJECT				
PLOT DATE: 10/15/2013	DATE: 8/15/2013	REVISED -									