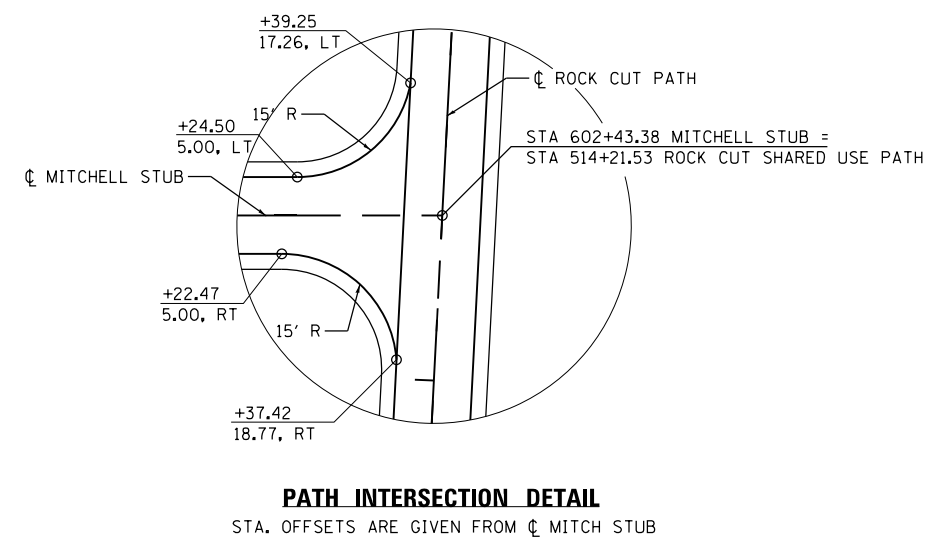
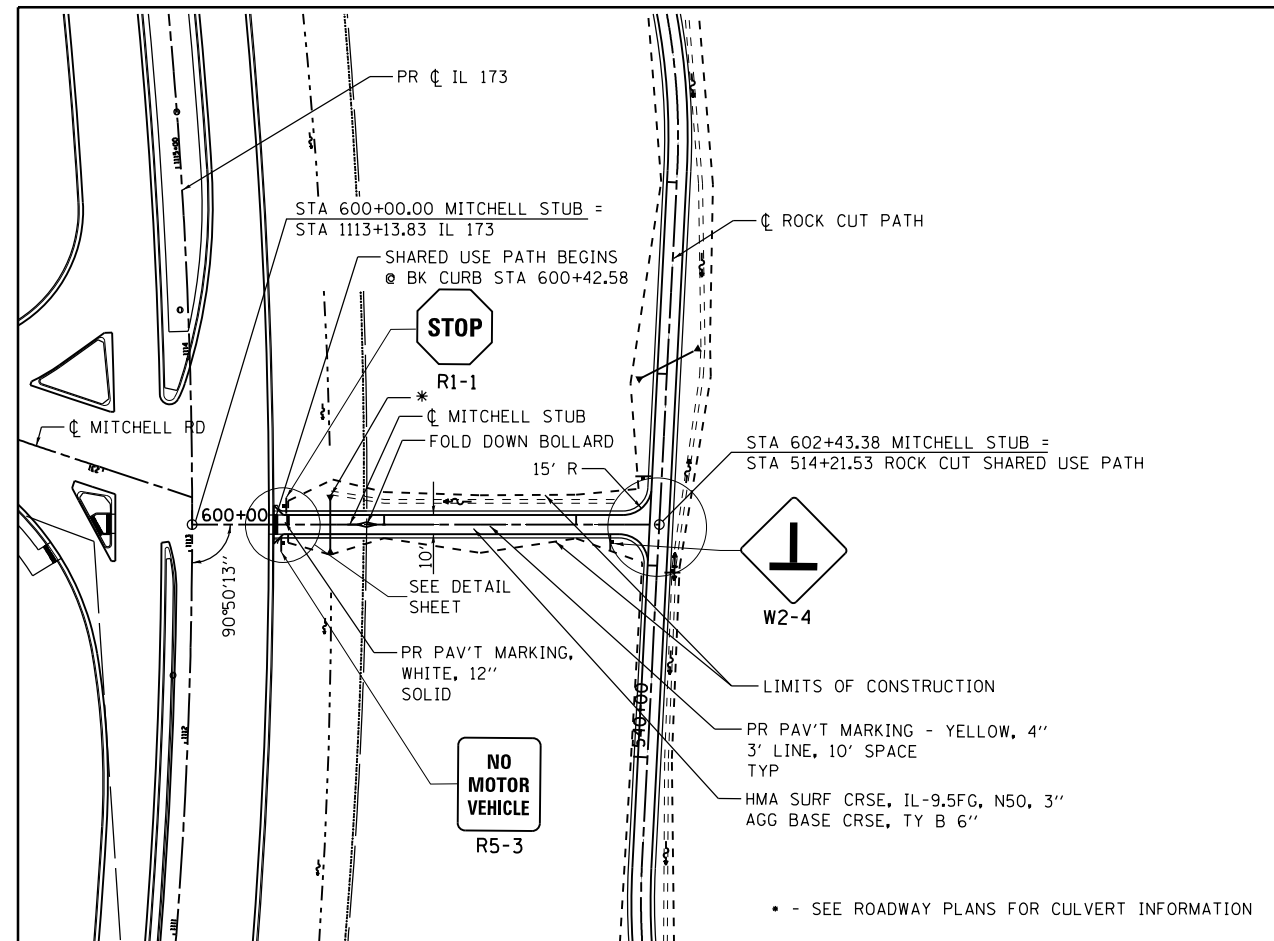
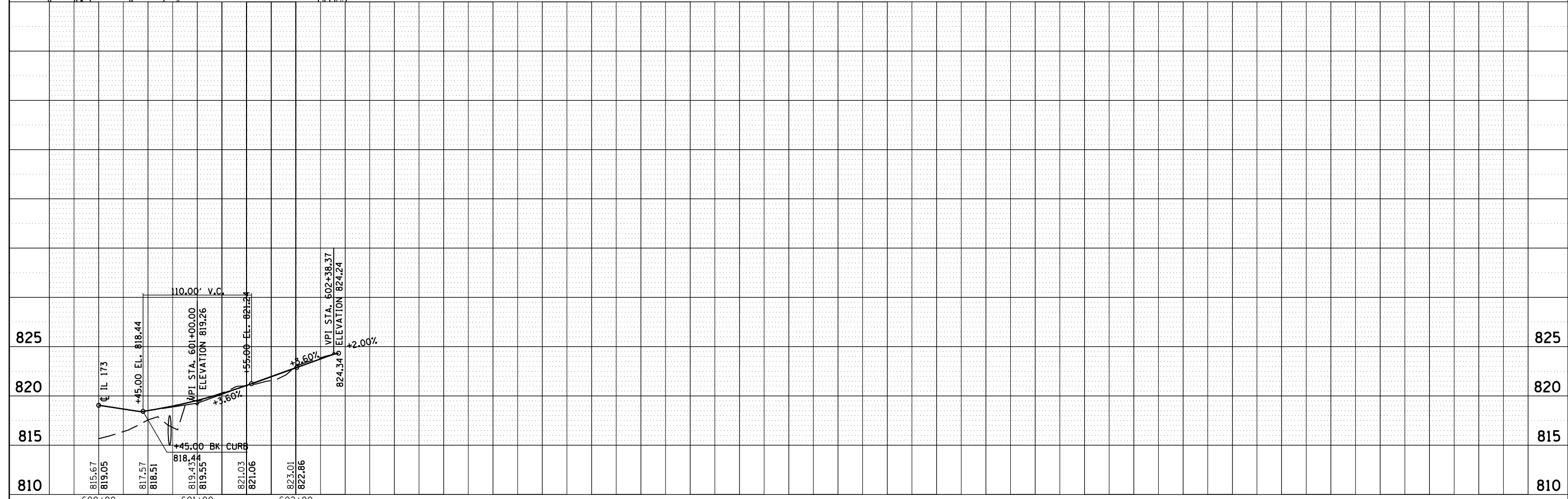


PLAN	SURVEYED	BY	DATE
	PLOTTED		
	ALIGNED		
	CHECKED		
	FILED		
	NO. _____		
	CADD FILE NAME _____		



PROFILE	SURVEYED	BY	DATE
	PLOTTED		
	GRADES CHECKED		
	STRUCTURE NOTATIONS CHECKED		
	NO. _____		
	CADD FILE NAME _____		



USER NAME = *USER*	DESIGNED - THW	REVISED -
	DRAWN - THW	REVISED -
PLOT SCALE = *SCALE*	CHECKED - AJK	REVISED -
PLOT DATE = *DATE*	DATE - 4.30 2013	REVISED -

**STATE OF ILLINOIS
DEPARTMENT OF TRANSPORTATION**

**PLAN & PROFILE - MITCHELL STUB
SHARED USE PATH**

SCALE: SHEET NO. OF SHEETS STA. 600+42.58 TO STA. 602+43.38

F.A.P. RTE. 303	SECTION 129R	COUNTY WINNEBAGO	TOTAL SHEETS 968	SHEET NO. 220
CONTRACT NO. 64988				ILLINOIS FED. AID PROJECT