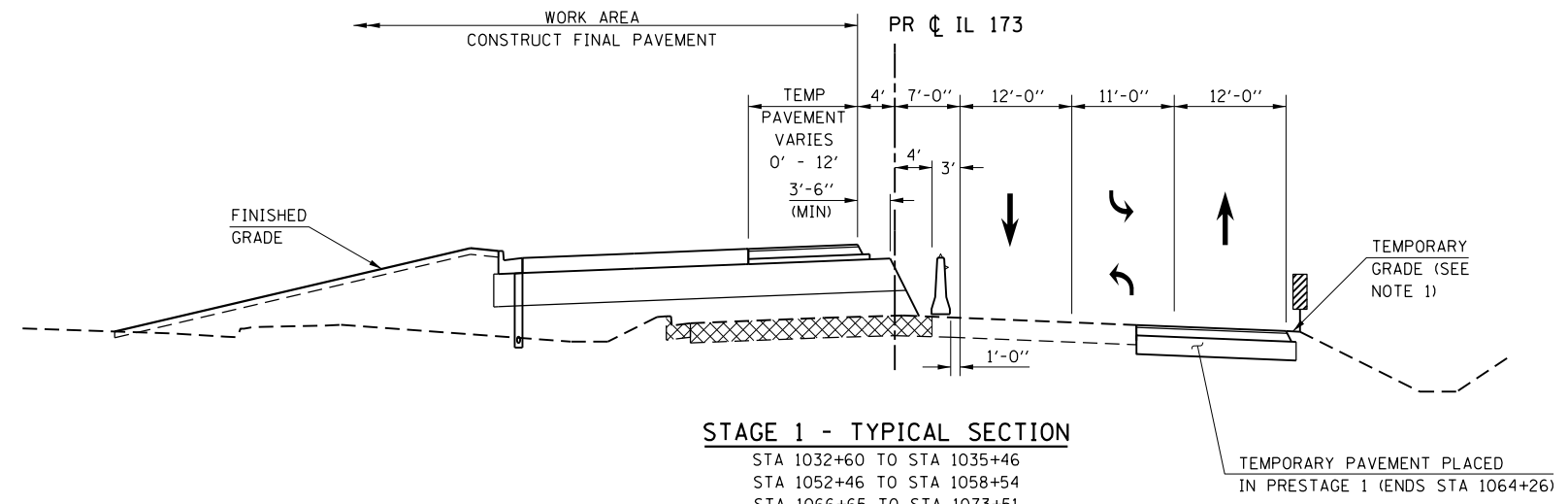


STAGE 1 - TYPICAL SECTION
 STA 1027+85 TO STA 1032+60
 STA 1057+50 TO STA 1066+65

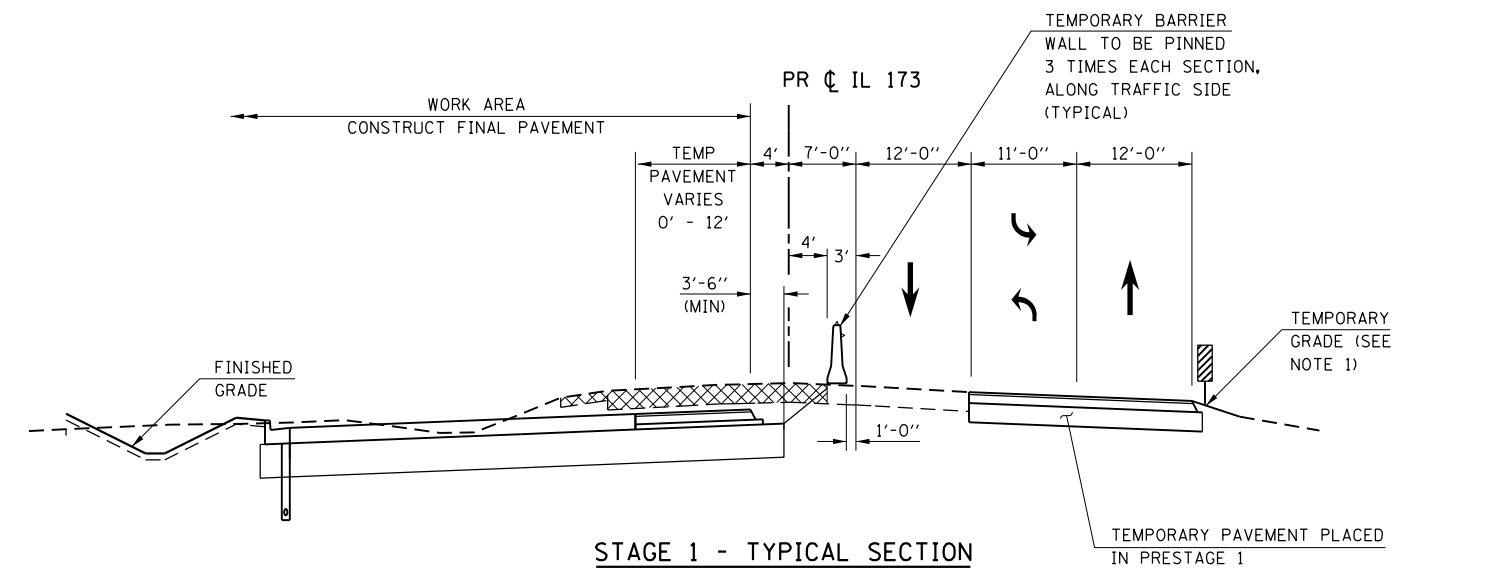


STAGE 1 - TYPICAL SECTION
 STA 1032+60 TO STA 1035+46
 STA 1052+46 TO STA 1058+54
 STA 1066+65 TO STA 1073+51

TEMPORARY PAVEMENT:
 HOT-MIX ASPHALT SURFACE (1 1/2")
 HOT-MIX ASPHALT BINDER (5")
 AGGREGATE SUB-BASE (3 3/4")



TEMPORARY PAVEMENT DETAIL - STAGE 1
 (USE AT ALL TEMPORARY PAVEMENT LOCATIONS THIS STAGE)



STAGE 1 - TYPICAL SECTION
 STA 1035+46 TO STA 1036+15
 STA 1041+50 TO STA 1045+55

NOTE:
 1. SEE CROSS SECTIONS FOR TEMPORARY GRADING AND DRAINAGE.

LEGEND

- VERTICAL PANEL
- TYPE II BARRICADE OR DRUM WITH STEADY BURN BI-DIRECTIONAL LIGHT
- TEMPORARY CONCRETE BARRIER
- EX PAVEMENT, EX SHOULDER, OR TEMPORARY PAVEMENT REMOVAL

FILE NAME = S:\Projects\2012\JOBS\12-95-S10206 Upchurch Loves Park 02 Ph. II\Cad\CADD Sheets\20879351G.TYP-IL173.01.dgn
 MODEL = \$MODEL\$
 PLOT DRIVER = \$PLTDVRS\$



USER NAME = rgoertz	DESIGNED - RG	REVISED -
PLOT SCALE = 20.0000' / in.	DRAWN - TRF	REVISED -
PLOT DATE = 7/26/2013	CHECKED - CMS	REVISED -
	DATE - APRIL 30, 2013	REVISED -

**STATE OF ILLINOIS
 DEPARTMENT OF TRANSPORTATION**

**STAGING TYPICAL SECTIONS - STAGE 1
 IL 173**

SCALE: NONE	SHEET NO.	OF SHEETS	STA.	TO STA.
-------------	-----------	-----------	------	---------

F.A.P. RTE.	SECTION	COUNTY	TOTAL SHEETS	SHEET NO.
303	129R	WINNEBAGO	968	246
CONTRACT NO. 64988				
FED. ROAD DIST. NO. 2 ILLINOIS FED. AID PROJECT				