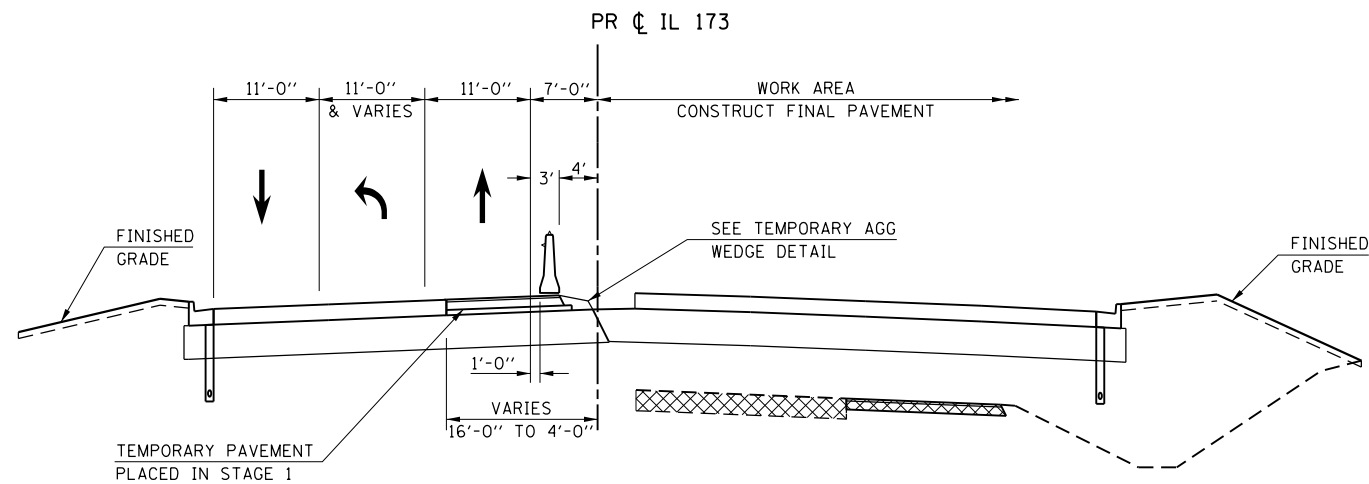
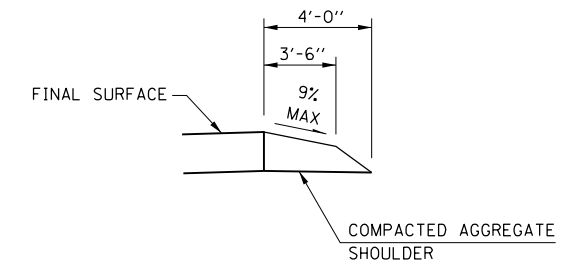


**STAGE 2 - TYPICAL SECTION**  
STA 1022+20.19 TO STA 1024+67







**STAGE 2 - TYPICAL SECTION**  
STA 1024+67 TO STA 1027+85



**TEMPORARY AGG WEDGE DETAIL**

**LEGEND**

-  VERTICAL PANEL
-  TYPE II BARRICADE OR DRUM WITH STEADY BURN BI-DIRECTIONAL LIGHT
-  TEMPORARY CONCRETE BARRIER
-  EX PAVEMENT, EX SHOULDER, OR TEMPORARY PAVEMENT REMOVAL

FILE NAME = S:\Projects\2012\JOBS\12-95-S10206 Upchurch Loves Park 02 Ph. II\Cad\CADD Sheets\20079351G.TYP-IL173.01.dgn  
 MODEL = \$MODEL\$  
 PLOT DRIVER = \$PLTDVRS\$



USER NAME = rgoertz	DESIGNED - RG	REVISED -
PLOT SCALE = 20.0000' / in.	DRAWN - TRF	REVISED -
PLOT DATE = 7/26/2013	CHECKED - CMS	REVISED -
	DATE - APRIL 30, 2013	REVISED -

**STATE OF ILLINOIS**  
**DEPARTMENT OF TRANSPORTATION**

**STAGING TYPICAL SECTIONS - STAGE 2**  
**IL 173**

SCALE: NONE SHEET NO. OF SHEETS STA. TO STA.

F.A.P. RTE.	SECTION	COUNTY	TOTAL SHEETS	SHEET NO.
303	129R	WINNEBAGO	968	277
CONTRACT NO. 64988				
FED. ROAD DIST. NO. 2 ILLINOIS FED. AID PROJECT				