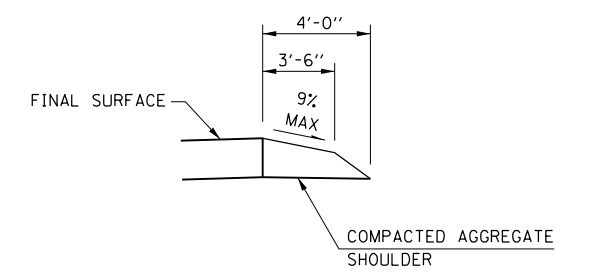
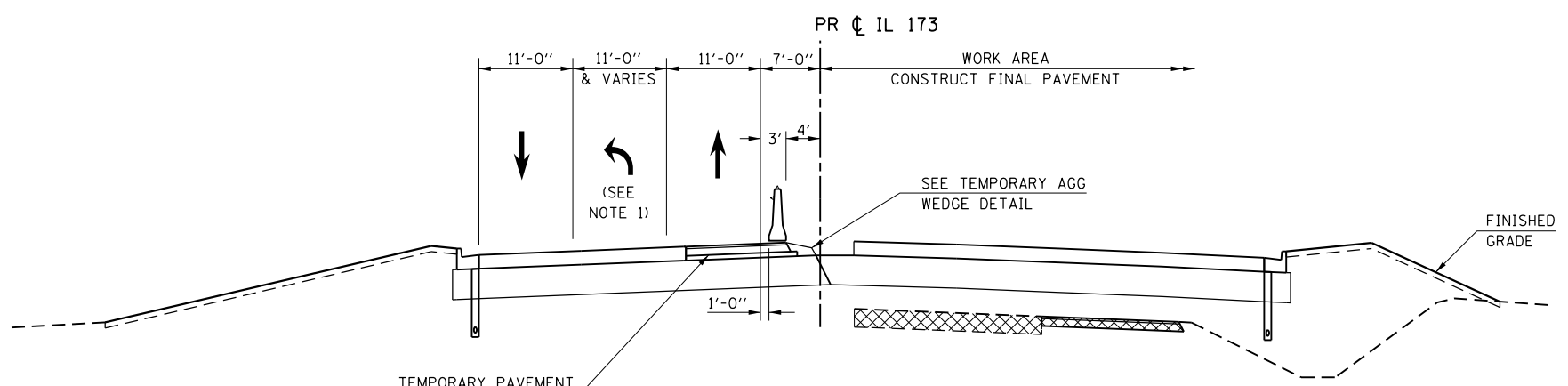


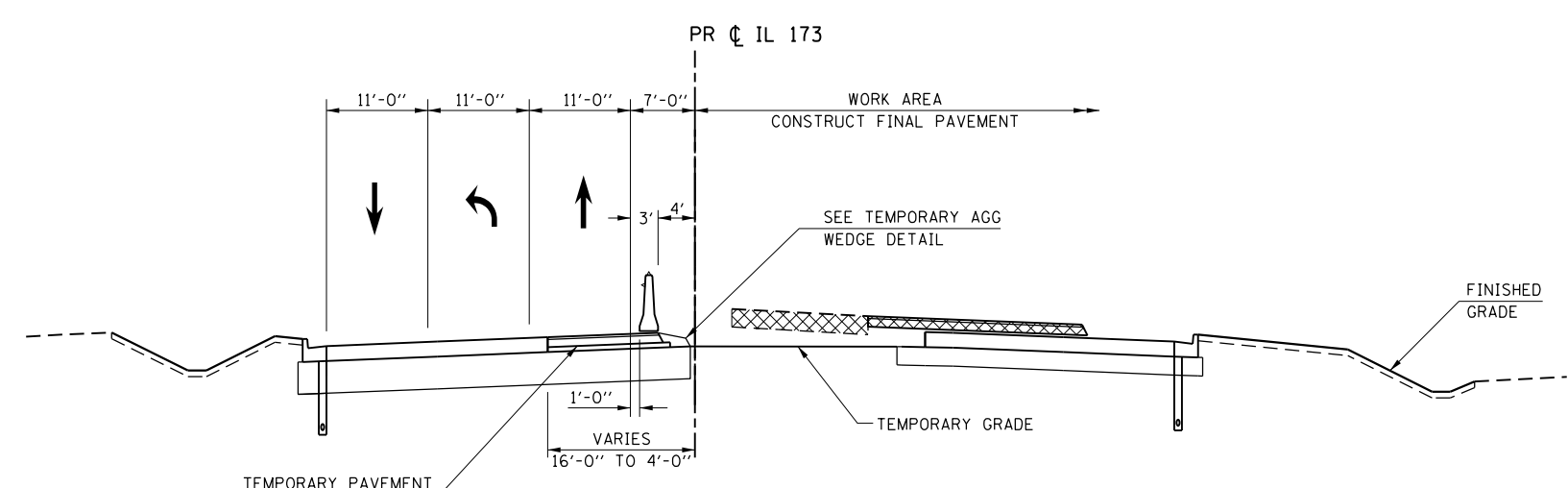
**STAGE 2 - TYPICAL SECTION**  
 STA 1027+85 TO STA 1032+60  
 STA 1057+50 TO STA 1066+65



**TEMPORARY AGG WEDGE DETAIL**



**STAGE 2 - TYPICAL SECTION**  
 STA 1032+60 TO STA 1035+46  
 STA 1052+46 TO STA 1058+54  
 STA 1066+65 TO STA 1073+51



**STAGE 2 - TYPICAL SECTION**  
 STA 1035+46 TO STA 1036+15  
 STA 1041+50 TO STA 1045+55

**LEGEND**

- VERTICAL PANEL
- TYPE II BARRICADE OR DRUM WITH STEADY BURN BI-DIRECTIONAL LIGHT
- TEMPORARY CONCRETE BARRIER
- EX PAVEMENT, EX SHOULDER, OR TEMPORARY PAVEMENT REMOVAL

FILE NAME = S:\Projects\2012\JOBS\12-95-S10206 Upchurch Loves Park 02 Ph. II\Cad\CADD Sheets\20079351G.TYP-IL173.01.dgn  
 MODEL = \$MODEL\$  
 PLOT DRIVER = \$PLTDVRS\$



|                             |                       |           |
|-----------------------------|-----------------------|-----------|
| USER NAME = rgoertz         | DESIGNED - RG         | REVISED - |
| PLOT SCALE = 20.0000' / in. | DRAWN - TRF           | REVISED - |
| PLOT DATE = 7/26/2013       | CHECKED - CMS         | REVISED - |
|                             | DATE - APRIL 30, 2013 | REVISED - |

**STATE OF ILLINOIS  
 DEPARTMENT OF TRANSPORTATION**

**STAGING TYPICAL SECTIONS - STAGE 2  
 IL 173**

SCALE: NONE SHEET NO. OF SHEETS STA. TO STA.

|   |         |           |              |           |
|---|---------|-----------|--------------|-----------|
| F.A.P. RTE.                                     | SECTION | COUNTY    | TOTAL SHEETS | SHEET NO. |
| 303   | 129R    | WINNEBAGO | 968          | 278       |
| CONTRACT NO. 64988                              |         |           |              |           |
| FED. ROAD DIST. NO. 2 ILLINOIS FED. AID PROJECT |         |           |              |           |