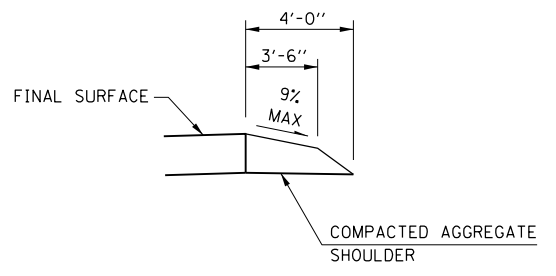
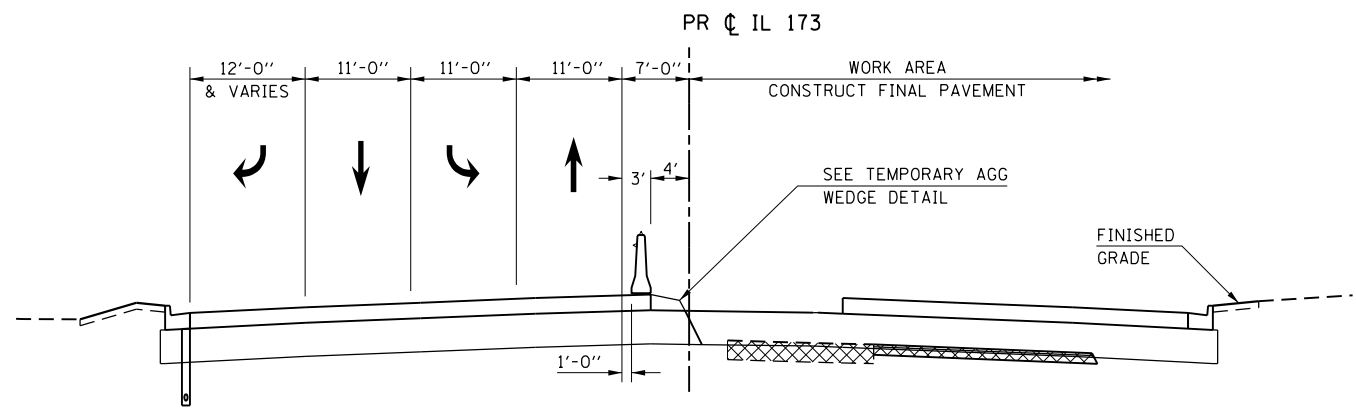


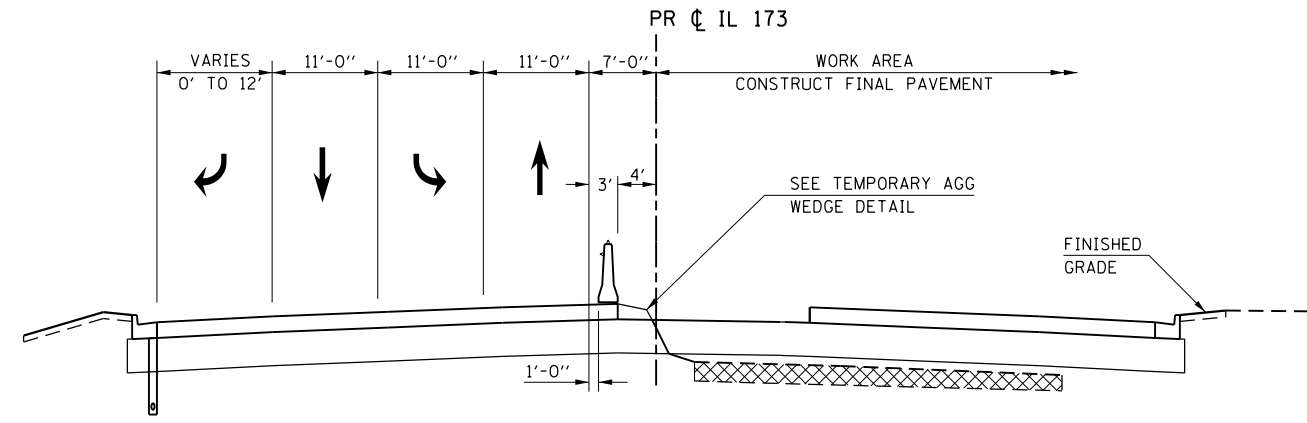
**STAGE 2 - TYPICAL SECTION**  
 STA 1036+15 TO STA 1041+50  
 STA 1045+55 TO STA 1047+81



**TEMPORARY AGG WEDGE DETAIL**







**STAGE 2 - TYPICAL SECTION**  
 STA 1047+81 TO STA 1052+46



**STAGE 2 - TYPICAL SECTION**  
 STA 1073+51 TO STA 1079+00

**LEGEND**

-  VERTICAL PANEL
-  TYPE II BARRICADE OR DRUM WITH STEADY BURN BI-DIRECTIONAL LIGHT
-  TEMPORARY CONCRETE BARRIER
-  EX PAVEMENT, EX SHOULDER, OR TEMPORARY PAVEMENT REMOVAL

FILE NAME = S:\Projects\2012\JOBS\12-95-S10206 Upchurch Loves Park 02 Ph 11\Cad\CADD Sheets\20079351G.TYP-IL173.01.dgn  
 MODEL = \$MODEL\$  
 PLOT DRIVER = \$PLTDVRS\$



USER NAME = rgoertz	DESIGNED - RG	REVISED -
	DRAWN - TRF	REVISED -
PLOT SCALE = 20.0000' / in.	CHECKED - CMS	REVISED -
PLOT DATE = 7/26/2013	DATE - APRIL 30, 2013	REVISED -

**STATE OF ILLINOIS  
 DEPARTMENT OF TRANSPORTATION**

**STAGING TYPICAL SECTIONS – STAGE 2  
 IL 173**

SCALE: NONE SHEET NO. OF SHEETS STA. TO STA.

F.A.P. RTE.	SECTION	COUNTY	TOTAL SHEETS	SHEET NO.
303	129R	WINNEBAGO	968	279
CONTRACT NO. 64988				
FED. ROAD DIST. NO. 2 ILLINOIS FED. AID PROJECT				