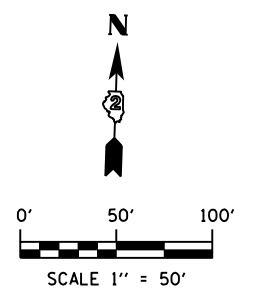
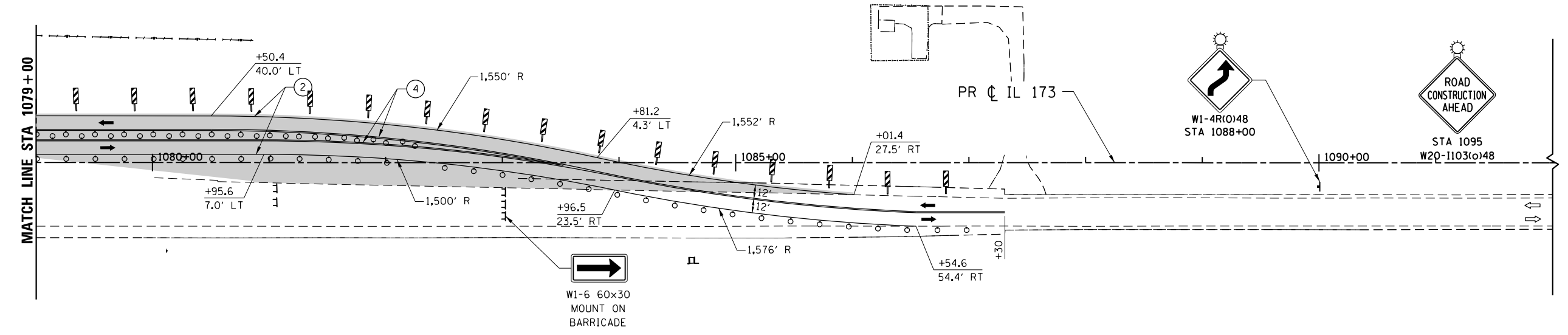


TEMPORARY STRIPING LEGEND

- ① PAVEMENT MARKING SYMBOL
- ② 4" SOLID WHITE EDGE LINE
- ③ 4" SOLID YELLOW EDGE LINE
- ④ 4" SOLID YELLOW DOUBLE CENTERLINE
- ⑤ 4" WHITE 30' SKIP 10' DASH
- ⑥ 4" YELLOW 30' SKIP 10' DASH
- ⑦ 8" SOLID WHITE LANE LINE
- ⑧ 8" WHITE 4' SKIP 2' DASH
- ⑨ 8" WHITE 6' SKIP 2' DASH
- ⑩ 24" SOLID WHITE STOP BAR
- ⑪ 12" SOLID WHITE DIAGONALS (ISLANDS)
- ⑫ 12" SOLID WHITE DIAGONALS, 20' C-C
- ⑬ 12" SOLID WHITE DIAGONALS, 30' C-C
- ⑭ 12" SOLID YELLOW DIAGONALS, 30' C-C
- ⑮ 12" SOLID WHITE DIAGONALS, 75' C-C
- ⑯ 12" SOLID YELLOW DIAGONALS, 75' C-C

SYMBOL LEGEND

- WORK AREA
- TEMPORARY PAVEMENT PLACED THIS STAGE
- TEMPORARY PAVEMENT PLACED PREVIOUS STAGE
- TEMPORARY PAVEMENT REMOVAL
- TEMPORARY / EXISTING TRAFFIC FLOW
- VERTICAL PANEL
- DRUM OR TY II BARRICADE W/ STEADY BURN BI-DIRECTIONAL LIGHT
- TY II DIRECTIONAL BARRICADE W/ STEADY BURN BI-DIRECTIONAL LIGHT
- TYPE III BARRICADE WITH FLASHING BI-DIRECTIONAL LIGHT
- TEMPORARY CONCRETE BARRIER
- TEMPORARY IMPACT ATTENUATOR
- TEMPORARY DITCH FLOW
- ARROW BOARD



FILE NAME = S:\Projects\2012\JOBS\12-95-S10006 Upchurch Loves Park 02 Ph. II\Cad\CADD Sheets\200793510.S2-IL173.08.dgn
 MODEL = \$MODEL\$
 PLOT DRIVER = \$PLTDVRS\$



USER NAME = rgoertz	DESIGNED - RG	REVISED -
PLOT SCALE = 100.0000' / in.	DRAWN - TRF	REVISED -
PLOT DATE = 7/26/2013	CHECKED - CMS	REVISED -
	DATE - APRIL 30, 2013	REVISED -

STATE OF ILLINOIS
DEPARTMENT OF TRANSPORTATION

STAGING PLAN - STAGE 2
IL 173

SCALE: 1" = 50' SHEET NO. OF SHEETS STA. 1079+00 TO STA. 1092+00

F.A.P. RTE.	SECTION	COUNTY	TOTAL SHEETS	SHEET NO.
303	129R	WINNEBAGO	968	294
CONTRACT NO. 64988				
FED. ROAD DIST. NO. 2 ILLINOIS FED. AID PROJECT				