

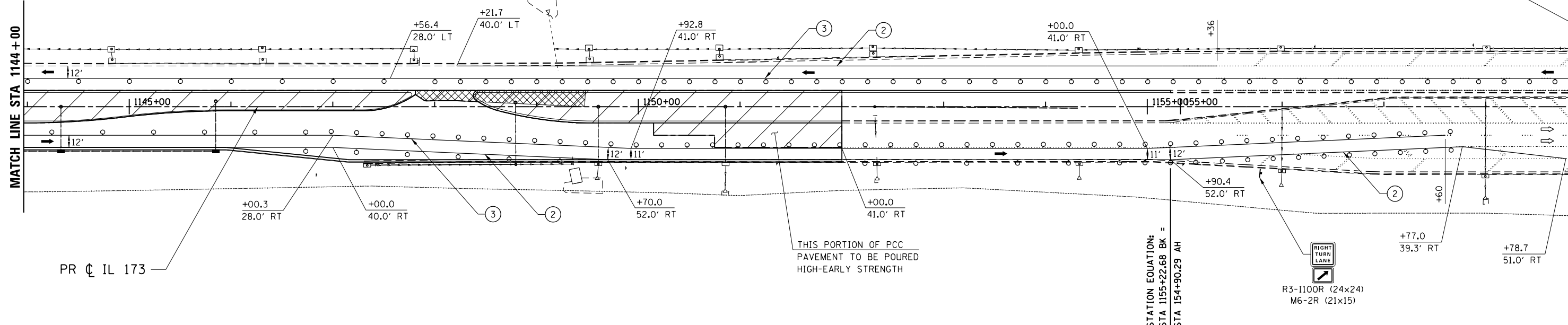
TEMPORARY STRIPING LEGEND

- ① PAVEMENT MARKING SYMBOL
- ② 4" SOLID WHITE EDGE LINE
- ③ 4" SOLID YELLOW EDGE LINE
- ④ 4" SOLID YELLOW DOUBLE CENTERLINE
- ⑤ 4" WHITE 30' SKIP 10' DASH
- ⑥ 4" YELLOW 30' SKIP 10' DASH
- ⑦ 8" SOLID WHITE LANE LINE
- ⑧ 8" WHITE 4' SKIP 2' DASH
- ⑨ 8" WHITE 6' SKIP 2' DASH
- ⑩ 24" SOLID WHITE STOP BAR
- ⑪ 12" SOLID WHITE DIAGONALS (ISLANDS)
- ⑫ 12" SOLID WHITE DIAGONALS, 20' C-C
- ⑬ 12" SOLID WHITE DIAGONALS, 30' C-C
- ⑭ 12" SOLID YELLOW DIAGONALS, 30' C-C
- ⑮ 12" SOLID WHITE DIAGONALS, 75' C-C
- ⑯ 12" SOLID YELLOW DIAGONALS, 75' C-C

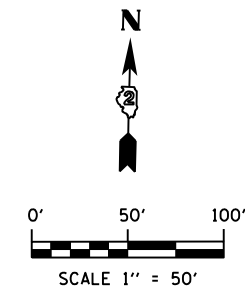
SYMBOL LEGEND

- WORK AREA (STAGE 3 & STAGE 6)
- TEMPORARY PAVEMENT PLACED THIS STAGE
- TEMPORARY PAVEMENT PLACED PREVIOUS STAGE
- TEMPORARY PAVEMENT REMOVAL
- TEMPORARY / EXISTING TRAFFIC FLOW
- VERTICAL PANEL
- DRUM OR TY II BARRICADE W/ STEADY BURN BI-DIRECTIONAL LIGHT
- TY II DIRECTIONAL BARRICADE W/ STEADY BURN BI-DIRECTIONAL LIGHT
- TYPE III BARRICADE WITH FLASHING BI-DIRECTIONAL LIGHT
- TEMPORARY CONCRETE BARRIER
- TEMPORARY IMPACT ATTENUATOR
- TEMPORARY DITCH FLOW
- ARROW BOARD

USE ALL APPLICABLE SIGNING AND DEVICES
IN STD 701431 FOR LANE CLOSURE



R3-1100R (24x24)
M6-2R (21x15)



FILE NAME = S:\Projects\2012\JOBS\12-95-S10206 Upchurch Loves Park 02 Ph. II\Cad\CADD Sheets\208793510.56-IL173.13.dgn
MODEL = \$MODEL\$
PLOT DRIVER = \$PLTDV\$



USER NAME = rgoertz	DESIGNED - RG	REVISED -
DRAWN - TRF	CHECKED - CMS	REVISED -
PLOT SCALE = 100.0000' / in.	DATE - APRIL 30, 2013	REVISED -
PLOT DATE = 7/26/2013		

**STATE OF ILLINOIS
DEPARTMENT OF TRANSPORTATION**

**STAGING PLAN - STAGE 6
IL 173**

SCALE: 1" = 50' SHEET NO. OF SHEETS STA. 1144+00 TO STA. 154+90.29

F.A.P. RTE.	SECTION	COUNTY	TOTAL SHEETS	SHEET NO.
303	129R	WINNEBAGO	968	360
CONTRACT NO. 64988				
FED. ROAD DIST. NO. 2 ILLINOIS FED. AID PROJECT				