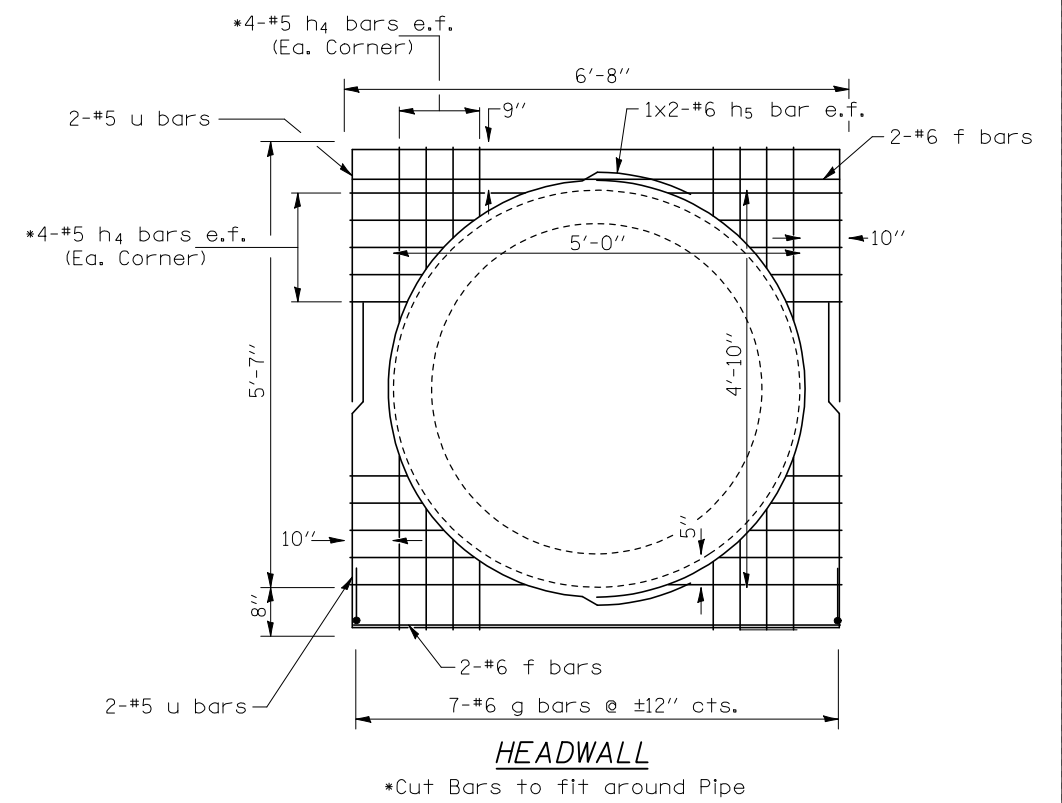
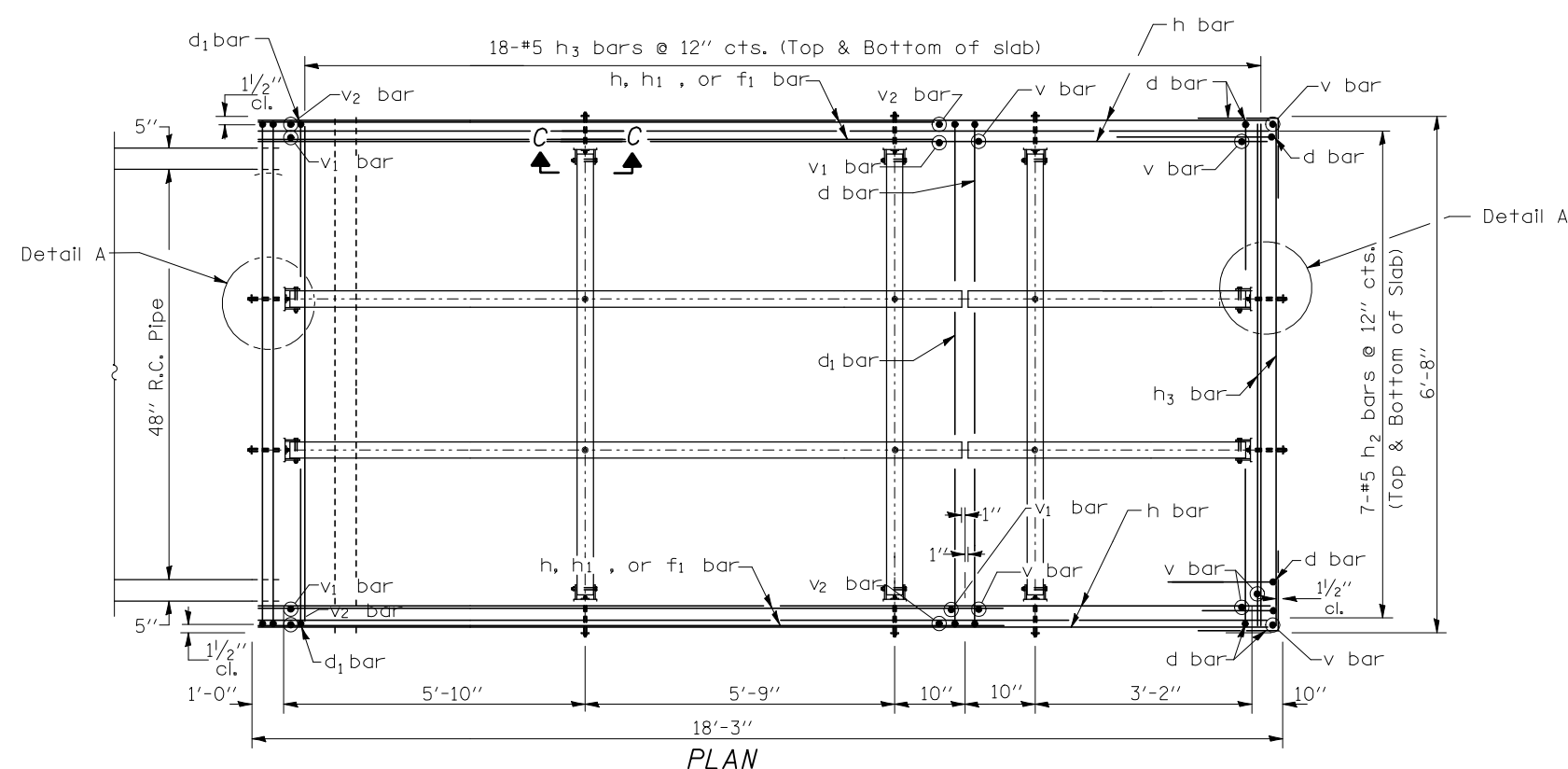
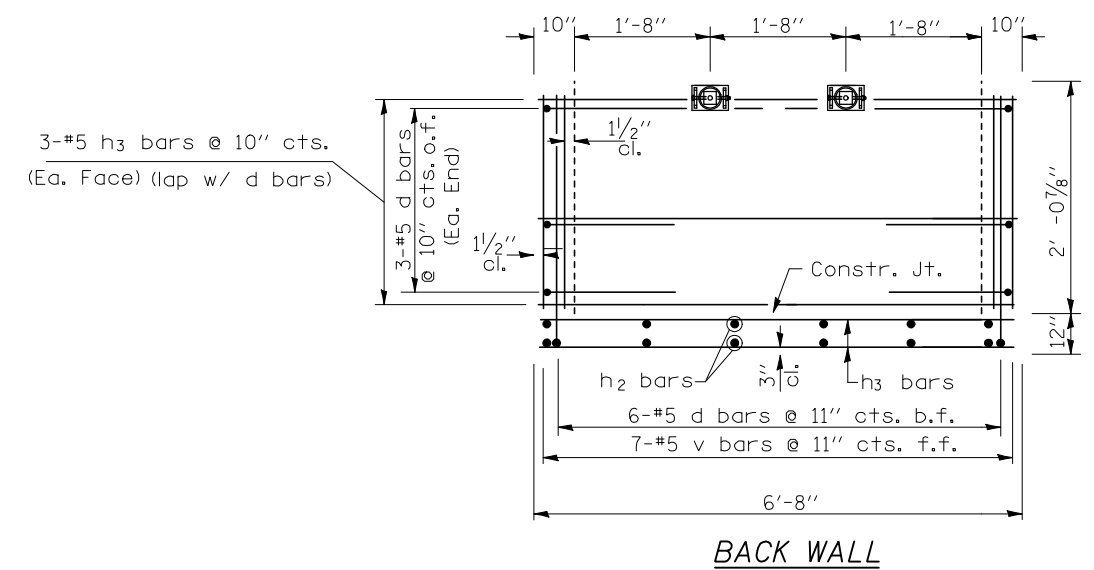
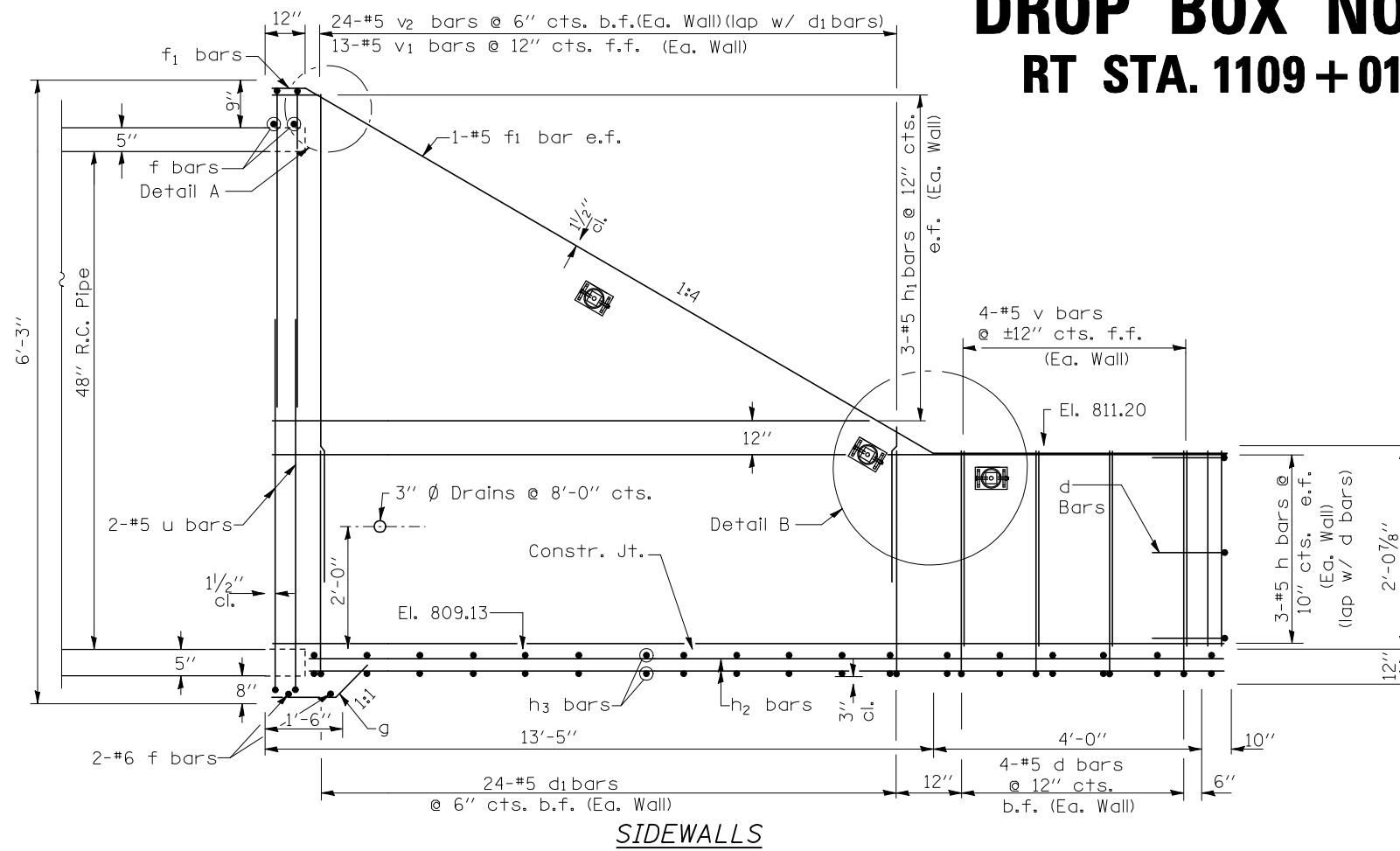


DROP BOX NO. 3

RT STA. 1109+01



FILE NAME = ...CADD SHEETS\2007930R-DTLS2.dgn	USER NAME = Elgin 110	DESIGNED - MJS	REVISIONS -	STATE OF ILLINOIS DEPARTMENT OF TRANSPORTATION	DRAINAGE DETAILS DROP BOX NO. 3	F.A.P. RTE. 303	SECTION 129R	COUNTY WINNEBAGO	TOTAL SHEETS 968	SHEET NO. 451		
THE UPCHURCH GROUP, INC.	PLOT SCALE = 20.0000' / IN.	CHECKED - RLH	REVISIONS -			SCALE:	SHEET NO. 1 OF 2 SHEETS	STA.	TO STA.	CONTRACT NO. 64988		
	PLOT DATE = 5/1/2013 3:22:45 PM	DATE - APRIL 30, 2013	REVISIONS -			ILLINOIS FED. AID PROJECT						