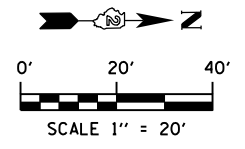
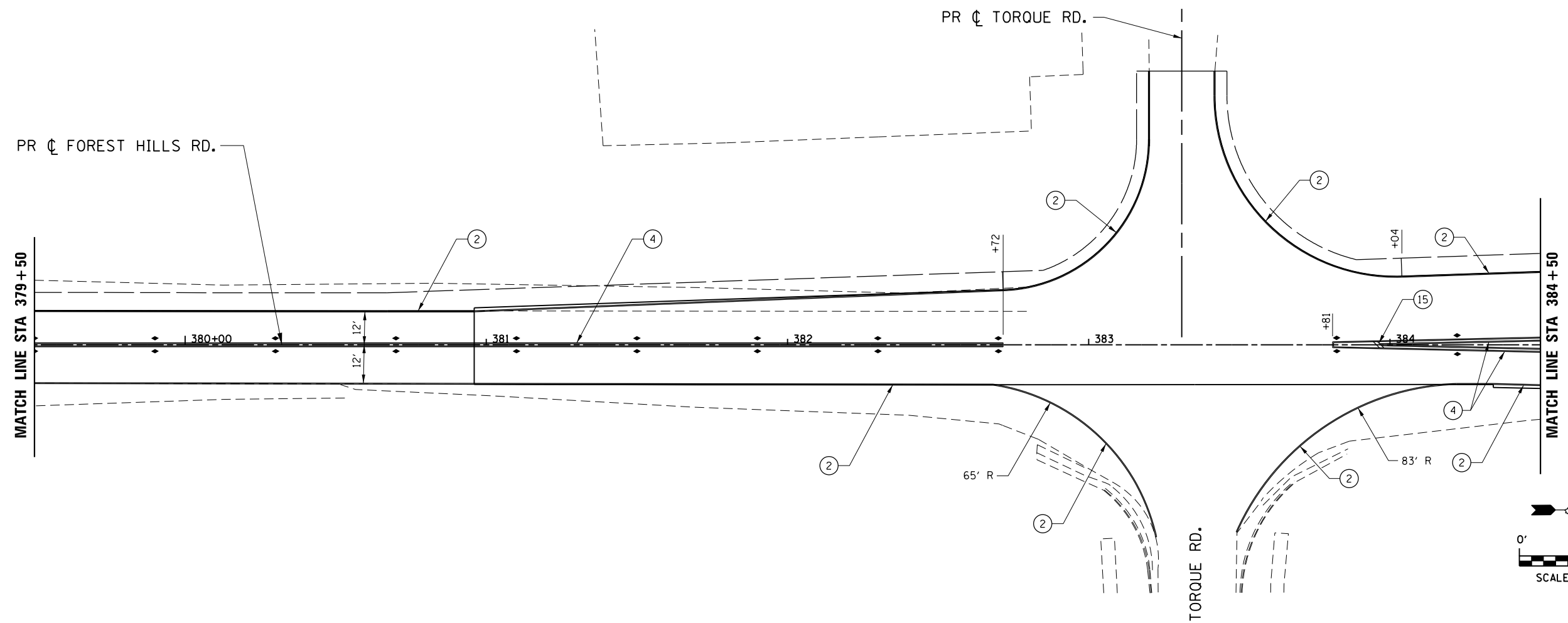
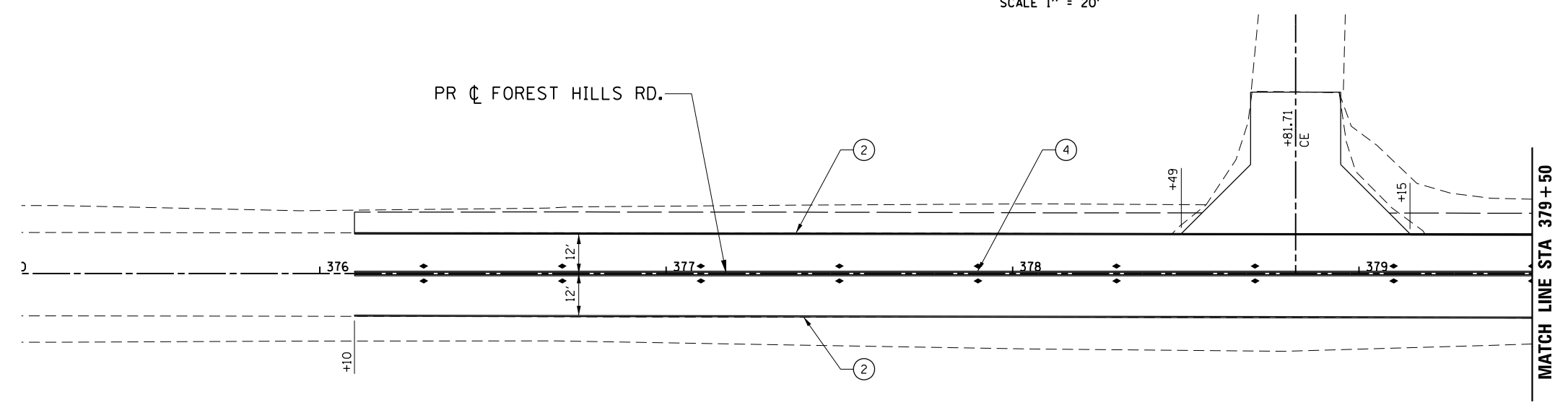


NOTE:
1. USE DISTRICT 2 STANDARDS 41.1 AND 93.4 FOR ADDITIONAL LAYOUT INFORMATION.

- LEGEND**
- ① PAVEMENT MARKING SYMBOL
 - ② 4" SOLID WHITE EDGE LINE
 - ③ 4" SOLID YELLOW EDGE LINE
 - ④ 4" SOLID YELLOW DOUBLE
 - ⑤ 6" WHITE 30' SKIP 10' DASH
 - ⑥ 6" SOLID WHITE
 - ⑦ 8" SOLID WHITE LANE LINE
 - ⑧ 8" WHITE 4' SKIP 2' DASH
 - ⑨ 8" WHITE 6' SKIP 2' DASH
 - ⑩ 12" SOLID WHITE DIAGONALS (ISLANDS)
 - ⑪ 12" SOLID WHITE DIAGONALS, 20' C-C
 - ⑫ 12" SOLID WHITE DIAGONALS, 30' C-C
 - ⑬ 12" SOLID YELLOW DIAGONALS, 30' C-C
 - ⑭ 12" SOLID WHITE DIAGONALS, 75' C-C
 - ⑮ 12" SOLID YELLOW DIAGONALS, 75' C-C
 - ⑯ 24" SOLID WHITE STOP BAR
 - ⑰ RAISED REFLECTIVE PAVEMENT MARKER



FILE NAME = Z00793PMLN-30_Forest-Hills.dgn
 MODEL = Default
 PLOT DRIVER = V8...IDOT_PDF...1x17.pltcf9



USER NAME = rgoertz	DESIGNED - RG	REVISED -
PLOT SCALE = 480.0000' / ft.	DRAWN - TRF	REVISED -
PLOT DATE = 5/3/2013	CHECKED - CMS	REVISED -
	DATE - APRIL 30, 2013	REVISED -

**STATE OF ILLINOIS
DEPARTMENT OF TRANSPORTATION**

**PAVEMENT MARKING & SIGNING PLAN
FOREST HILLS RD**

SCALE: 1" = 20'	SHEET NO. OF SHEETS	STA. 376+00 TO STA. 384+50
-----------------	---------------------	----------------------------

F.A.P. RTE. 303	SECTION 129R	COUNTY WINNEBAGO	TOTAL SHEETS 968	SHEET NO. 627
CONTRACT NO. 64988				
FED. ROAD DIST. NO. 2 ILLINOIS FED. AID PROJECT				