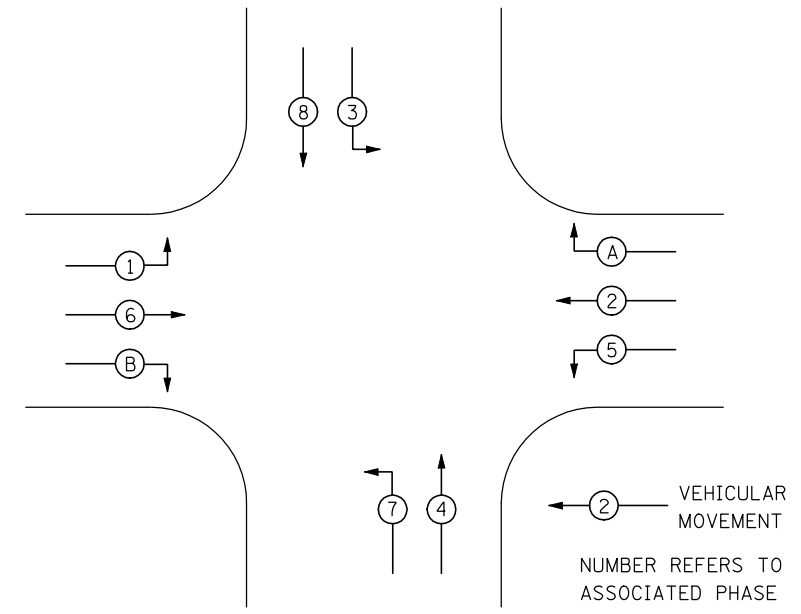
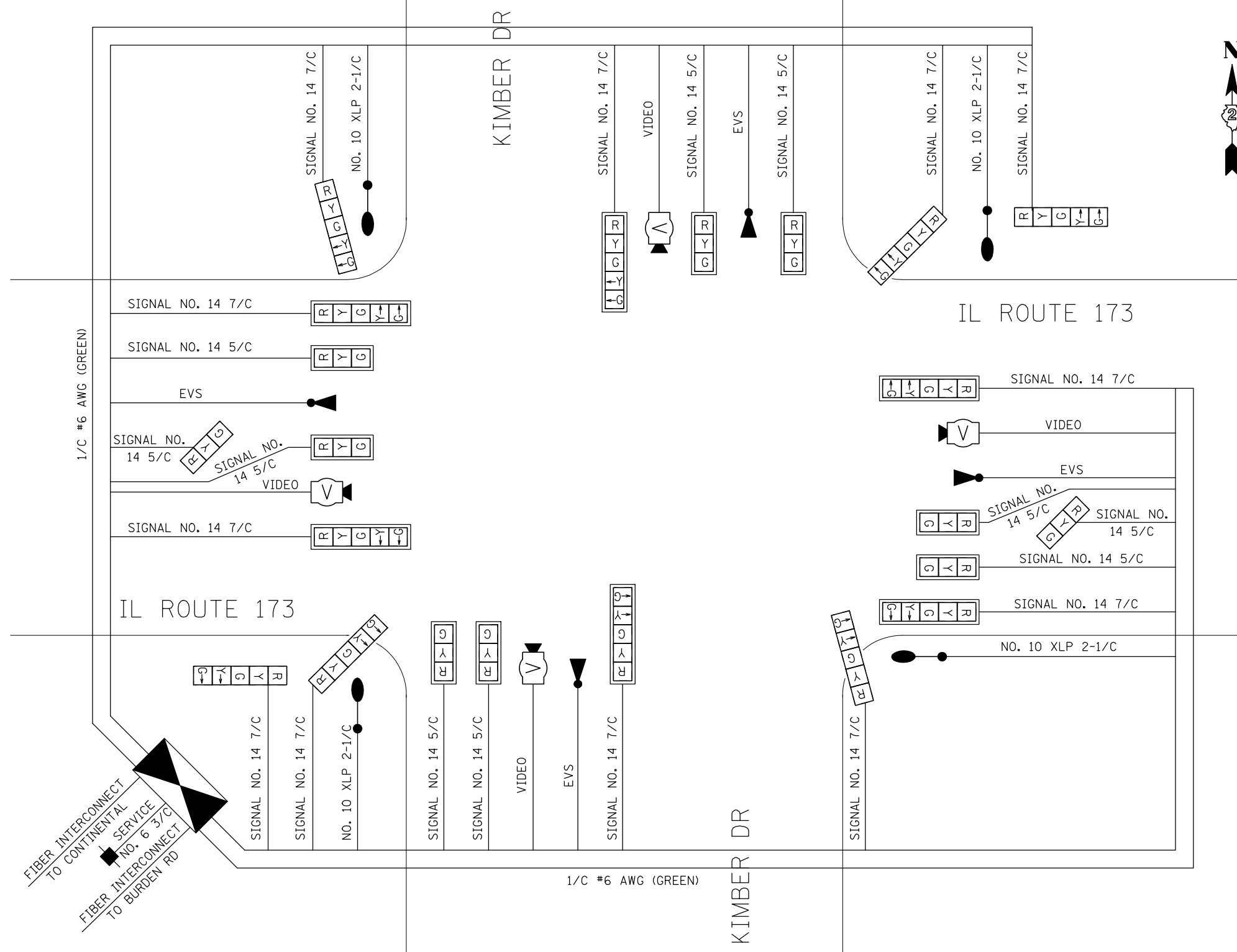


LEGEND

- ← ② → INDICATES NUMBER OF NEW CONTROLLERS. ALL CABLE IS NO. 14 EXCEPT AS INDICATED
- NEW SIGNAL HEAD WITH OR WITHOUT BACKPLATE.
- LUMINAIRES, 400 WATT
- EMERGENCY VEHICLE PREEMPTION
- VIDEO DETECTION SYSTEM



PHASE DESIGNATION DIAGRAM
REFER TO STANDARD 857001

| DETECTION ZONES | | |
|-----------------|-------|---------------|
| ZONE | PHASE | DIRECTION |
| A | 4 | NB PRESENCE |
| B | 7 | NB LEFT TURN |
| C | A | WB RIGHT TURN |
| D | 2 | WB PRESENCE |
| E | 5 | WB LEFT TURN |
| F | 8 | SB PRESENCE |
| G | 3 | SB LEFT TURN |
| H | B | EB RIGHT TURN |
| I | 6 | EB PRESENCE |
| J | 1 | EB LEFT TURN |