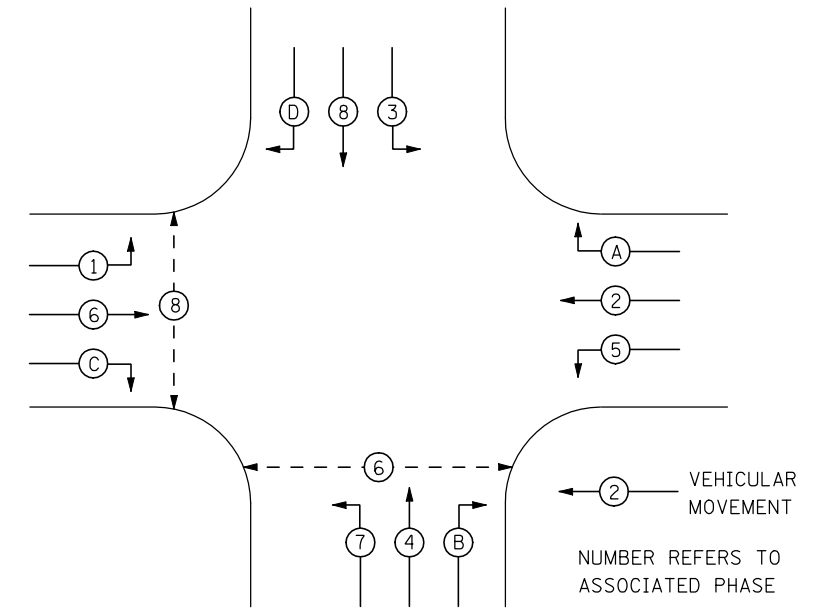


LEGEND

- ② INDICATES NUMBER OF NEW CONTROLLERS. ALL CABLE IS NO. 14 EXCEPT AS INDICATED
- NEW SIGNAL HEAD WITH OR WITHOUT BACKPLATE.
- LUMINAIRES, 400 WATT
- EMERGENCY VEHICLE PREEMPTION
- VIDEO DETECTION SYSTEM
- NEW PEDESTRIAN SIGNAL
- PEDESTRIAN PUSH BUTTON
- PEDESTRIAN PHASE



PHASE DESIGNATION DIAGRAM
REFER TO STANDARD 857001

DETECTION ZONES		
ZONE	PHASE	DIRECTION
A	B	NB RIGHT TURN
B	4	NB PRESENCE
C	7	NB LEFT TURN
D	A	WB RIGHT TURN
E	2	WB PRESENCE
F	5	WB LEFT TURN
G	D	SB RIGHT TURN
H	8	SB PRESENCE
I	3	SB LEFT TURN
J	C	EB RIGHT TURN
K	6	EB PRESENCE
L	1	EB LEFT TURN

