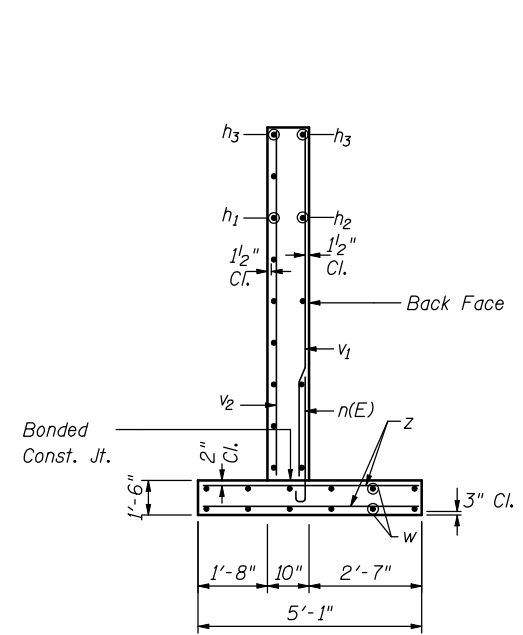
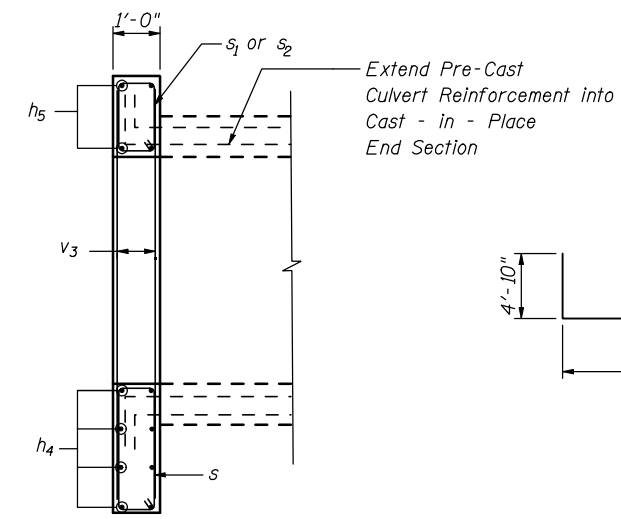


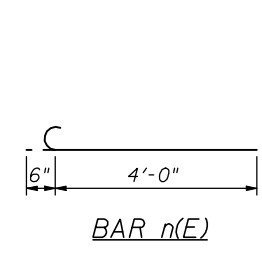
HEADWALL DETAILS



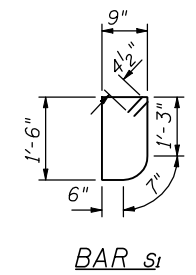
SECTION THRU WINGWALL



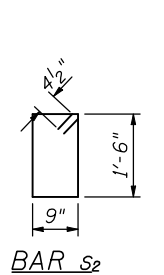
SECTION A-A



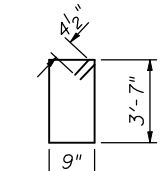
BAR n(E)



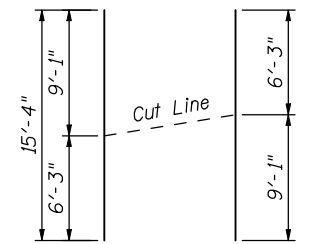
BAR s1



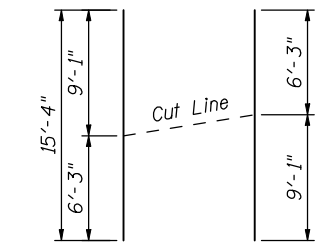
BAR s2



BAR s

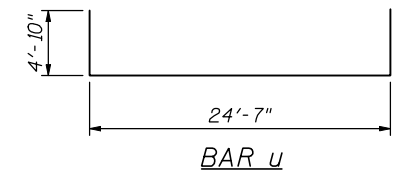


BAR v1

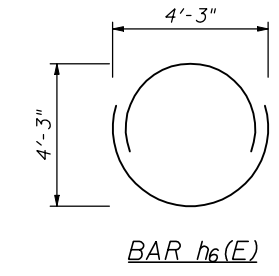


BAR v2

Order v1 bars full depth. Cut as shown and use remainder of bars in other Wingwall  
Order v2 bars full depth. Cut as shown and use remainder of bars in other Wingwall



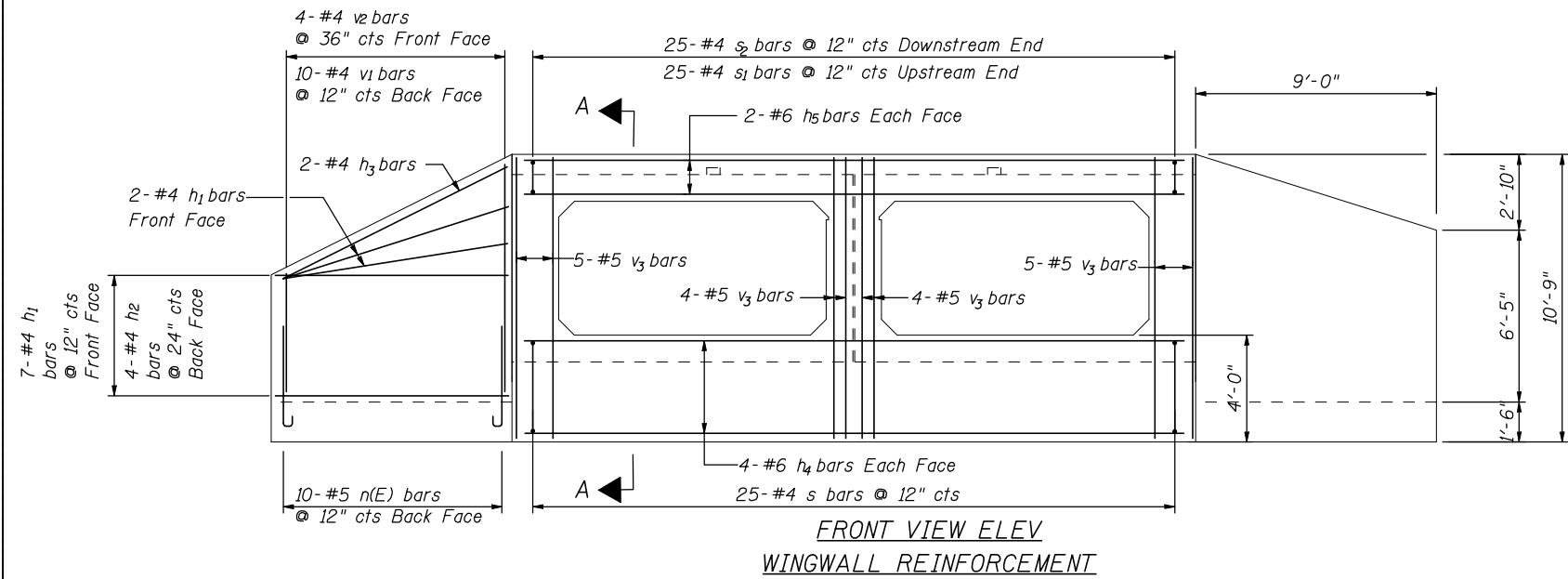
BAR u



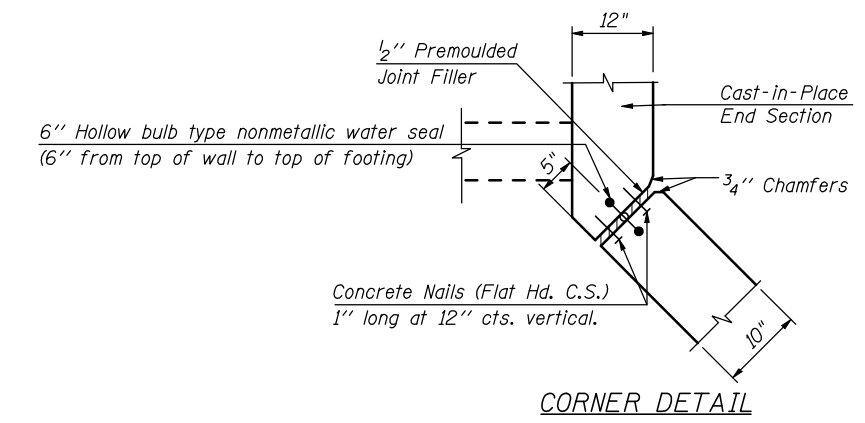
BAR h6(E)

BILL OF MATERIAL  
(For two End Sections)

Bar	No.	Size	Length	Shape
h1	36	#4	8'-9"	—
h2	16	#4	8'-9"	—
h3	8	#4	9'-0"	—
h4	16	#6	24'-0"	—
h5	8	#6	24'-0"	—
h6(E)	4	#6	10'-6"	C
n(E)	40	#5	4'-6"	—
s	50	#4	9'-5"	—
s1	25	#4	5'-4"	—
s2	25	#4	5'-3"	—
u	8	#4	34'-3"	—
v1	20	#4	15'-4"	—
v2	8	#4	15'-4"	—
v3	36	#5	9'-4"	—
w	48	#4	8'-9"	—
z	80	#4	4'-8"	—
Item	Unit	Quantity		
Concrete Box Culverts	Cu. Yds.	29.5		
Reinforcement Bars	Lbs.	3060		
Reinforcement Bars, Epoxy Coated	Lbs.	260		
Expansion Bolts 3/4"	Each	60		



FRONT VIEW ELEV WINGWALL REINFORCEMENT



CORNER DETAIL

FILE NAME = ... \200793.GP03.PERRYVILLE.dgn  
THE UPCHURCH GROUP, INC.

USER NAME = Elgin 110  
DESIGNED - MJS  
DRAWN - LP  
CHECKED - ADB  
DATE - APRIL 30, 2013  
REVISED -  
REVISED -  
REVISED -  
REVISED -

STATE OF ILLINOIS  
DEPARTMENT OF TRANSPORTATION

PERRYVILLE ROAD OVER WILLOW CREEK  
END SECTIONS

SCALE: SHEET NO. OF SHEETS STA. TO STA.

F.A.P. RTE. 303 SECTION 129R COUNTY WINNEBAGO TOTAL SHEETS 968 SHEET NO. 683 CONTRACT NO. 64988 ILLINOIS FED. AID PROJECT