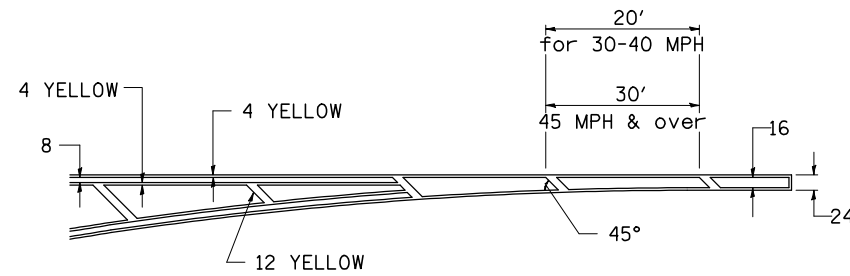
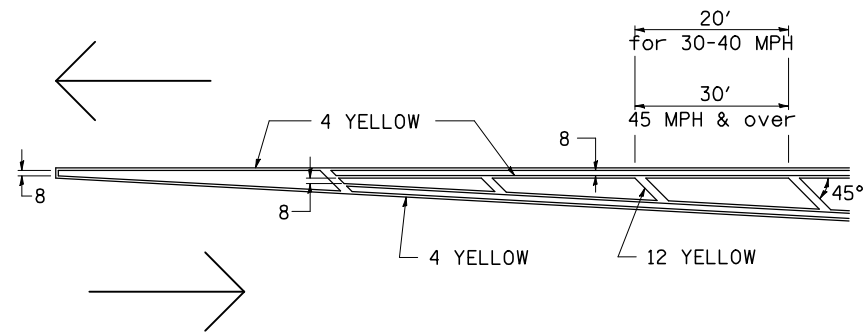
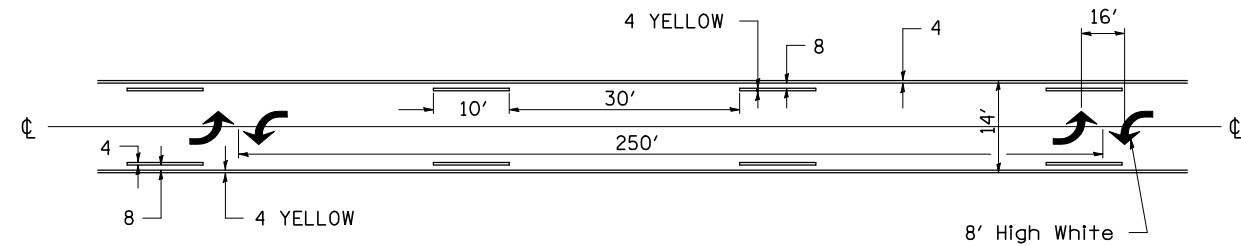


TYPICAL PAVEMENT MARKINGS

TYPICAL PAVEMENT MARKING FOR FLUSH MEDIAN AT LEFT TURN LANE

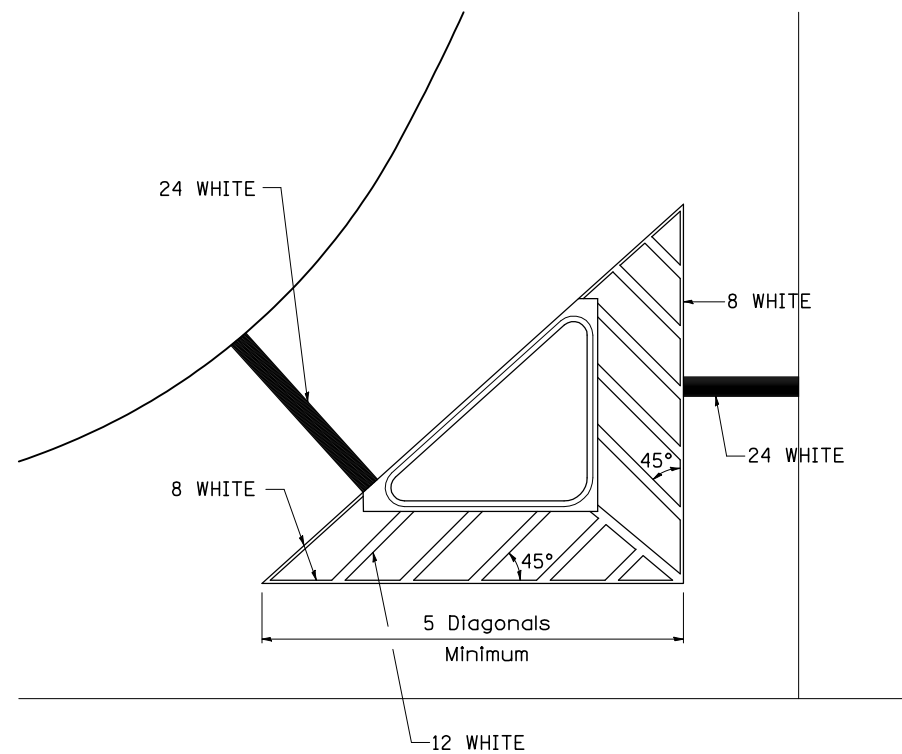


MEDIAN PAVEMENT MARKING

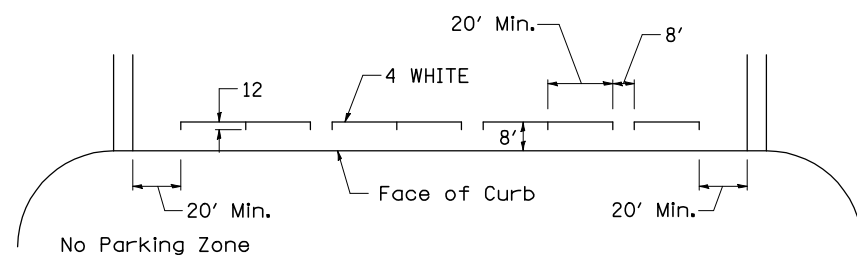
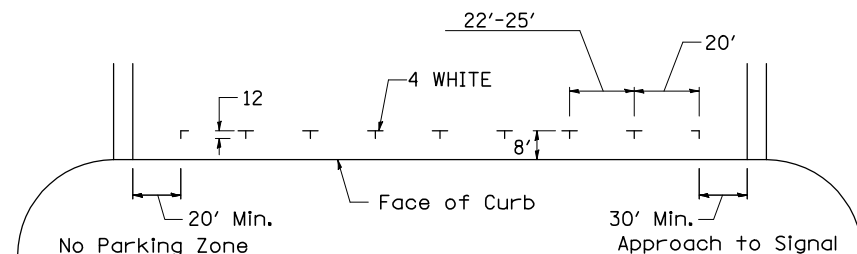
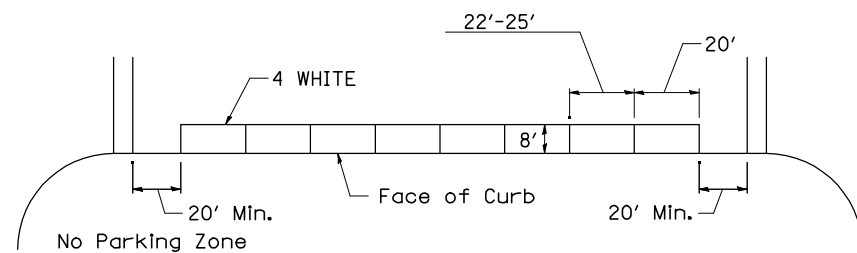


** ALL DIMENSIONS ARE IN INCHES UNLESS OTHERWISE NOTED.

TYPICAL ISLAND OFFSET SHOULDER WIDTH

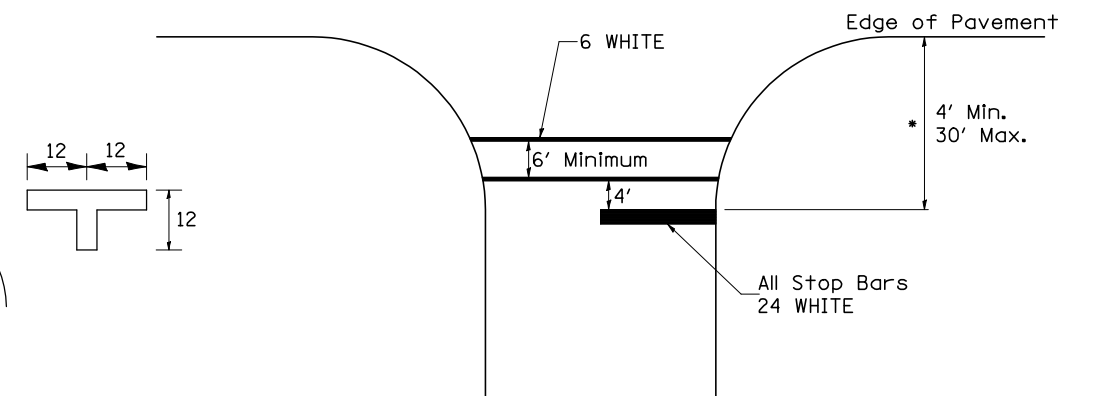


TYPICAL PARKING SPACING



STANDARD CROSSWALK MARKING

See Schedules for Locations



* Distance to the nearest edge of the intersecting roadway in the absence of a marked crosswalk.

FILE NAME = ...\\CADD SHEETS\Z00793SPL2017.dgn	USER NAME = Elgin 110	DESIGNED -	REVISED - 3-5-12	STATE OF ILLINOIS DEPARTMENT OF TRANSPORTATION	REGION 2 / DISTRICT 2 STANDARD			F.A.P. RTE.	SECTION	COUNTY	TOTAL SHEETS	SHEET NO.
		DRAWN -	REVISED -					303	129R	WINNEBAGO	968	720
		PLOT SCALE = 20.0000' / IN.	CHECKED -		REVISED -				CONTRACT NO. 64988			
		PLOT DATE = 5/2/2013	DATE -		REVISED -				FED. ROAD DIST. NO. ILLINOIS FED. AID PROJECT			