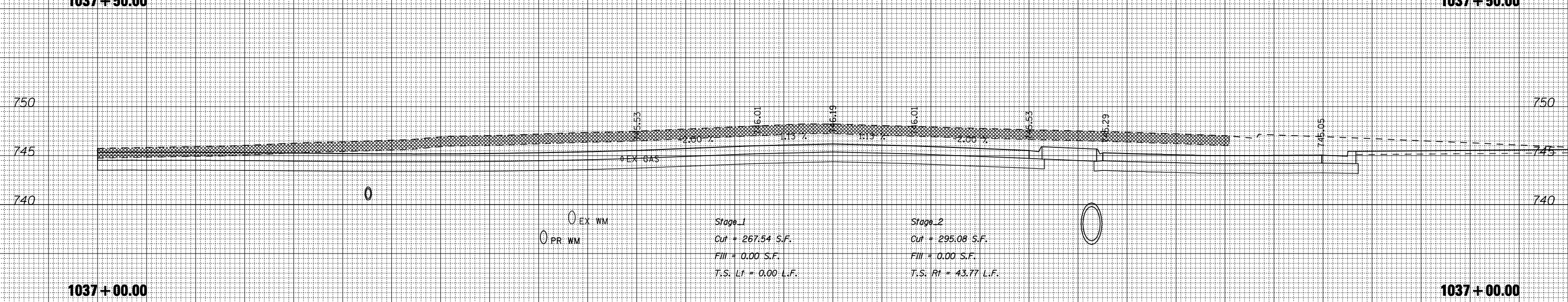
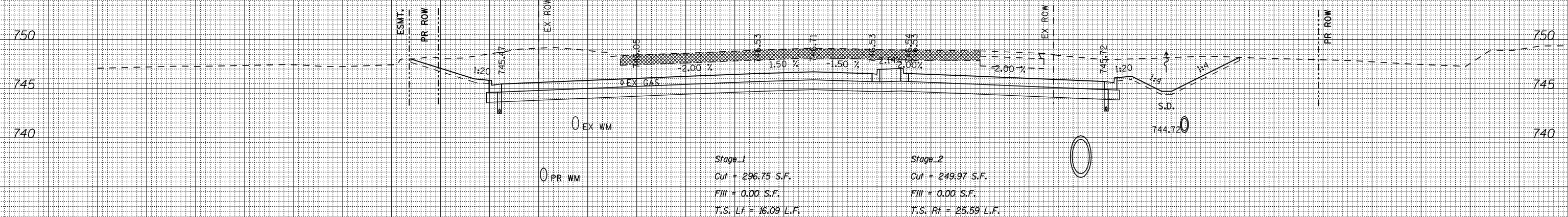
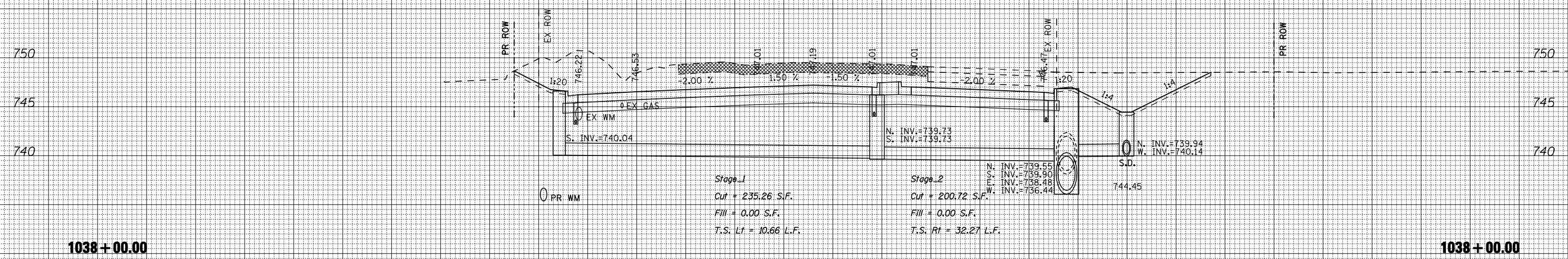


170 160 150 140 130 120 110 100 90 80 70 60 50 40 30 20 10 0 10 20 30 40 50 60 70 80 90 100 110 120 130 140 150

DATE	
BY	
SURVEYED	
PLOTTED	
TEMPLATE	
NOTE BOOK	
AREAS CHECKED	
NO.	



DATE	
BY	
SURVEYED	
PLOTTED	
TEMPLATE	
NOTE BOOK	
AREAS CHECKED	
NO.	

170 160 150 140 130 120 110 100 90 80 70 60 50 40 30 20 10 0 10 20 30 40 50 60 70 80 90 100 110 120 130 140 150

FILE NAME = ... \CADD SHEETS\Z007933MISHT.DGN
 THE UPCHURCH GROUP, INC.

USER NAME = Elgin 110
 DESIGNED - SJF
 DRAWN - SAE
 CHECKED - RMH
 DATE - APRIL 30, 2013

REVISED -
 REVISED -
 REVISED -
 REVISED -

**STATE OF ILLINOIS
 DEPARTMENT OF TRANSPORTATION**

CROSS SECTIONS IL 173
 SCALE: SHEET NO. OF SHEETS STA. 1037+00.00 TO STA. 1038+00.00

F.A.P. RTE.	SECTION	COUNTY	TOTAL SHEETS	SHEET NO.
303	129R	WINNEBAGO	968	786
			CONTRACT NO. 64988	
ILLINOIS FED. AID PROJECT				