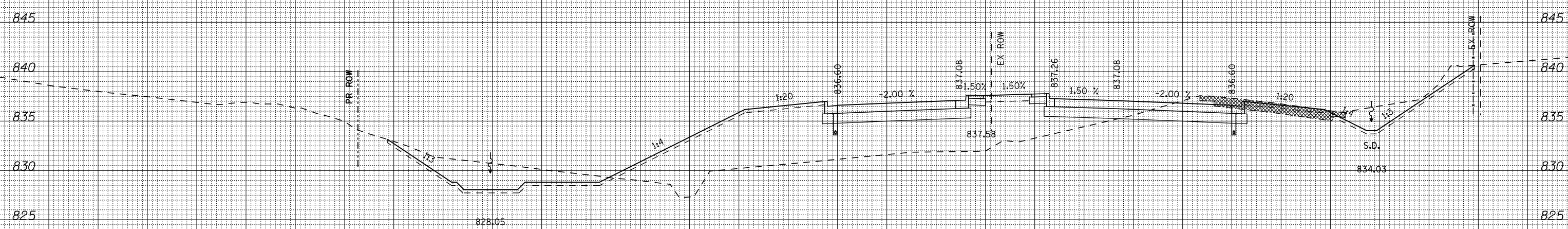


210 200 190 180 170 160 150 140 130 120 110 100 90 80 70 60 50 40 30 20 10 0 10 20 30 40 50 60 70 80 90 100 110

DATE	
BY	
FINAL SURVEY	SURVEYED
NOTE BOOK	PLOTTED
NO.	TEMPLATE
	AREAS CHECKED



EX WM

EX SAN

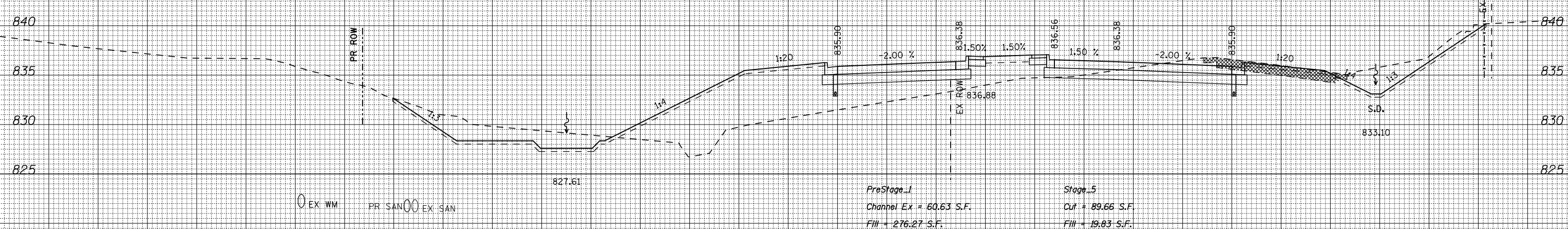
PreStage_1
Channel Ex = 70.31 S.F.
Fill = 374.66 S.F.
T.S. Lt = 90.34 L.F.

Stage_5
Cut = 70.55 S.F.
Fill = 28.56 S.F.
T.S. Rt = 48.00 L.F.

1135+50.00

1135+50.00

DATE	
BY	
ORIGINAL SURVEY	SURVEYED
NOTE BOOK	PLOTTED
NO.	TEMPLATE
	AREAS CHECKED



EX WM

PR SAN

EX SAN

PreStage_1
Channel Ex = 60.63 S.F.
Fill = 276.27 S.F.
T.S. Lt = 89.28 L.F.

Stage_5
Cut = 89.66 S.F.
Fill = 19.83 S.F.
T.S. Rt = 50.44 L.F.

1135+00.00

1135+00.00

210 200 190 180 170 160 150 140 130 120 110 100 90 80 70 60 50 40 30 20 10 0 10 20 30 40 50 60 70 80 90 100 110

FILE NAME = ... \CADD SHEETS \ Z00793X \ MISHT.DGN
THE UPCHURCH GROUP, INC.

USER NAME = Elgin 110
PLOT SCALE = 20.0000' / IN.
PLOT DATE = 5/6/2013

DESIGNED - SJF
DRAWN - SAE
CHECKED - RMH
DATE - APRIL 30, 2013

REVISED -
REVISED -
REVISED -
REVISED -

**STATE OF ILLINOIS
DEPARTMENT OF TRANSPORTATION**

CROSS SECTIONS IL 173
SCALE: SHEET NO. OF SHEETS STA. 1135+00.00 TO STA. 1135+50.00

F.A.P. RTE.	SECTION	COUNTY	TOTAL SHEETS	SHEET NO.
303	129R	WINNEBAGO	968	876
			CONTRACT NO. 64988	