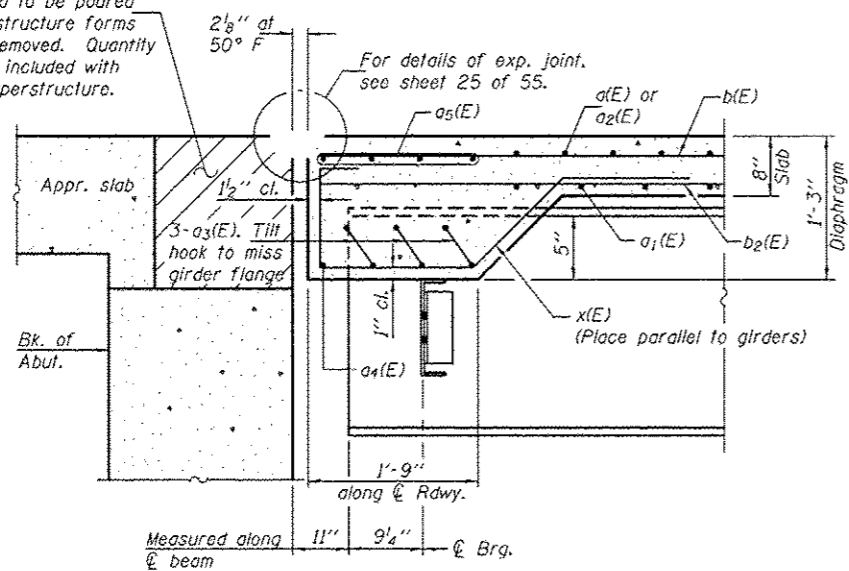
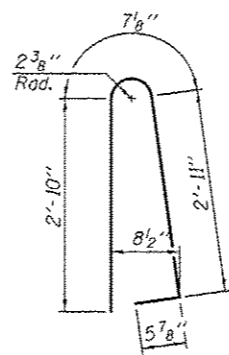


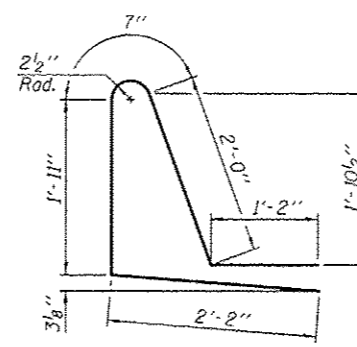
Hatched area to be poured after superstructure forms have been removed. Quantity of concrete included with Concrete Superstructure.



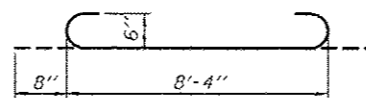
SECTION A-A



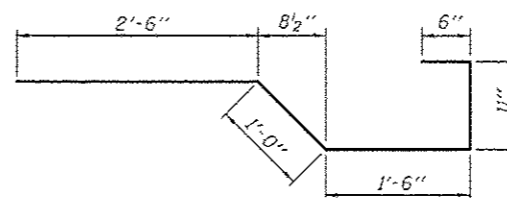
BAR d(E)



BAR d1(E)



a3(E) BAR



BAR x(E)

TWO SUPERSTRUCTURES
(E.B. & W.B.)
BILL OF MATERIAL

Bar	No.	Size	Length	Shape
a(E)	1758	#5	44'-7"	—
a1(E)	1074	#5	42'-10"	—
a2(E)	3516	#6	6'-6"	—
a3(E)	60	#6	9'-8"	—
a4(E)	4	#6	42'-9"	—
a5(E)	16	#6	49'-11"	—
a6(E)	64	#5	1'-6"	—
b(E)	1536	#5	28'-3"	—
b1(E)	270	#6	42'-3"	—
b2(E)	1394	#5	26'-9"	—
c(E)	1760	#5	6'-10"	—
d1(E)	1760	#5	7'-10"	—
e(E)	504	#4	17'-11"	—
e1(E)	112	#4	10'-3"	—
e2(E)	64	#4	19'-9"	—
e3(E)	32	#8	49'-3"	—
e4(E)	8	#8	19'-9"	—
e5(E)	48	#4	32'-0"	—
x(E)	140	#5	6'-5"	—
Reinforcement Bars, Epoxy Coated			Pound	308,930
Concrete Superstructure			Cu. Yds.	1167.5

Bars indicated thus 1 x 2-#8 etc. indicates 1 line of bars with 2 lengths per line.

DESIGNED - Nick R. Barnett	EXAMINED - <i>John F. [Signature]</i>	DATE - OCTOBER 4, 2013
CHECKED - Al-Borroe R. Shebib	ACTING ENGINEER OF BRIDGE DESIGN	
DRAWN - h.t. duong	PASSED - <i>Carl [Signature]</i>	REVISED
CHECKED - NRB/GRA	ACTING ENGINEER OF BRIDGES AND STRUCTURES	REVISED

STATE OF ILLINOIS
DEPARTMENT OF TRANSPORTATION

SUPERSTRUCTURE DETAILS
STRUCTURE NO. 101-0195 (E.B.) & 101-0196 (W.B.)

SHEET NO. 20 OF 55 SHEETS

F.A.P. RTE.	SECTION	COUNTY	TOTAL SHEETS	SHEET NO.
301	3BR & 3BR-1	WINNEBAGO	290	119
				CONTRACT NO. 64D19
ILLINOIS FED. AID PROJECT				