

Notes:

Hatched area to be poured after superstructure false work has been removed. Quantity of concrete included with Concrete Superstructure.

Space reinforcement in cap to miss anchor bolts.

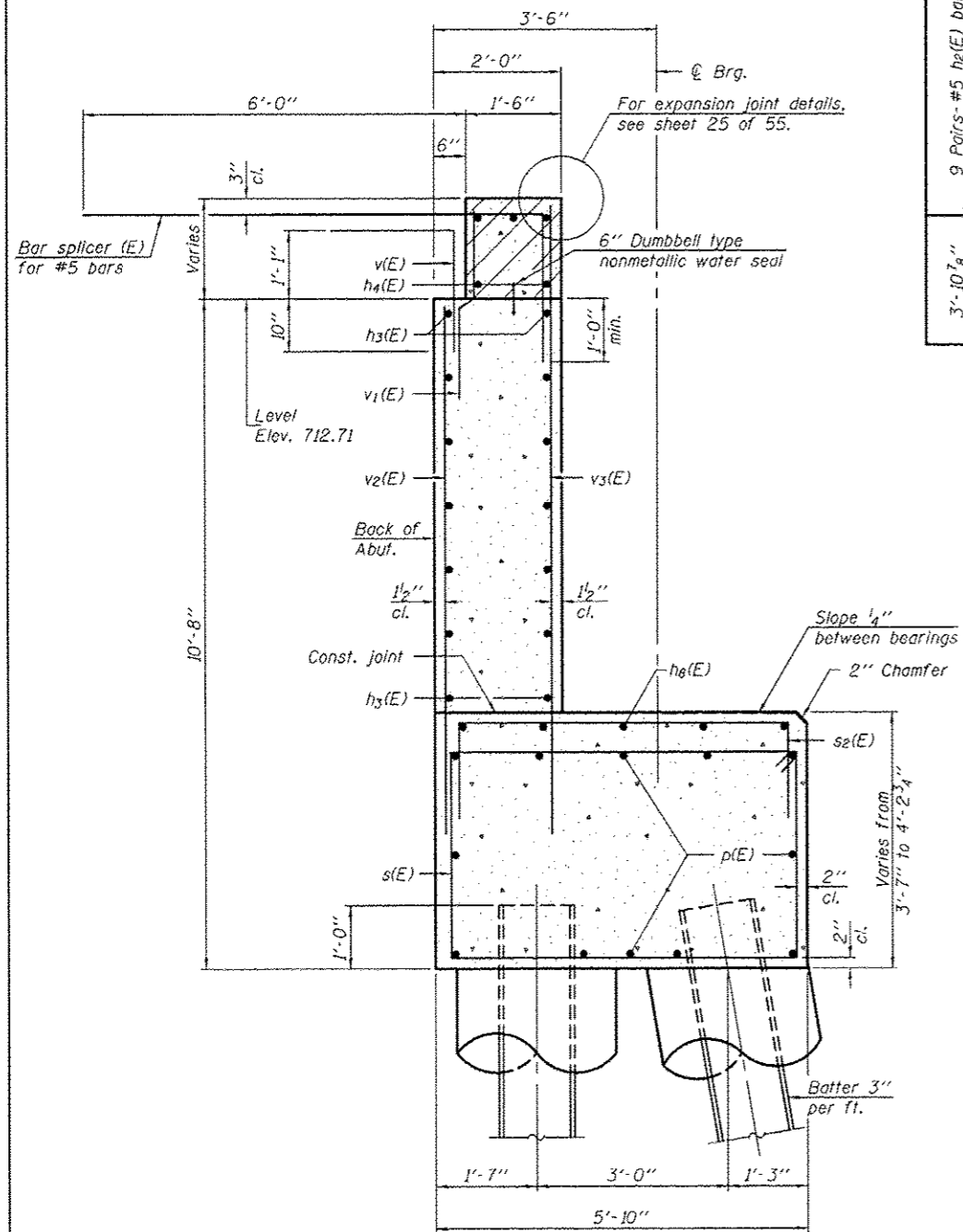
Pour steps monolithically with cap.

Quantity of concrete in end post included with Concrete Superstructure on sheet 20 of 55.

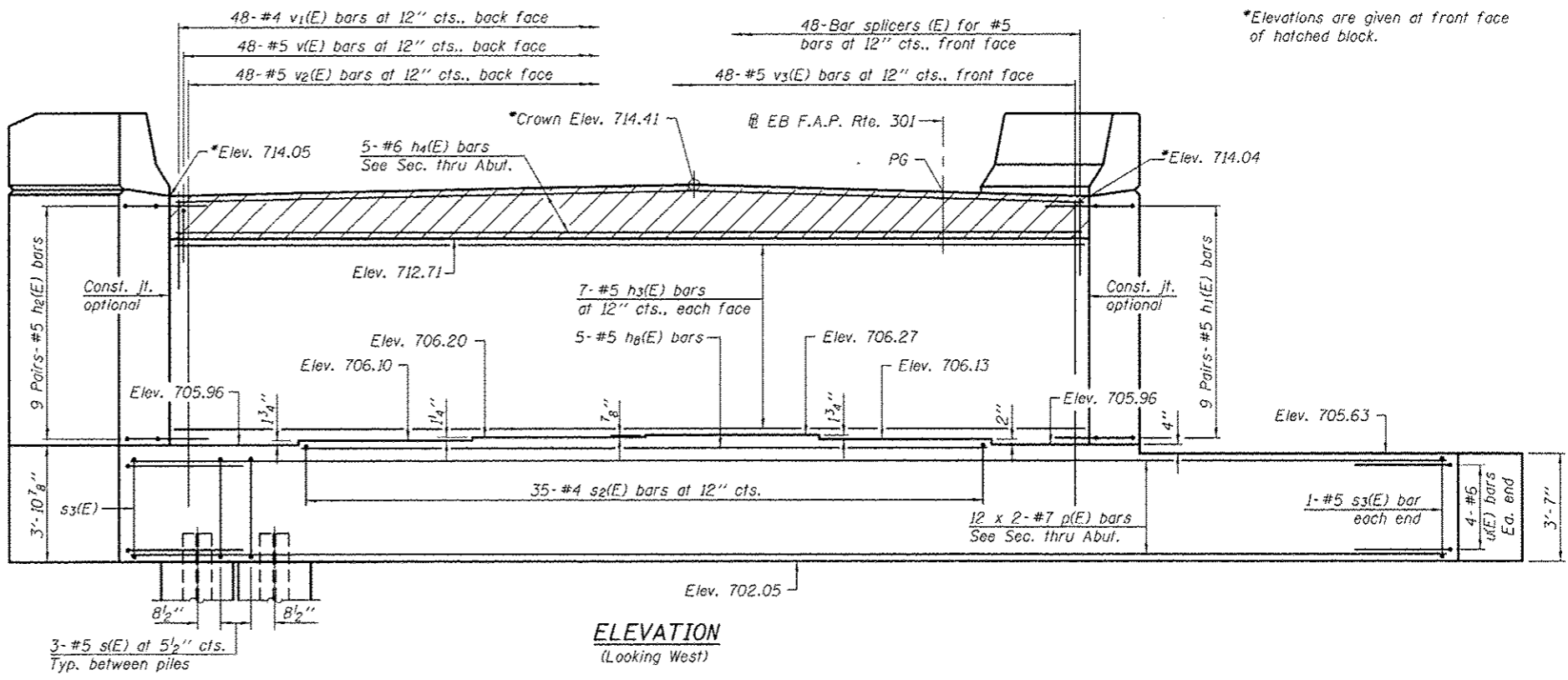
For Concrete Encasement details, see sheet 47 of 55.

See sheet 46 of 55 for additional form liner details. Form Liner shall be placed on outside face of wingwalls as shown in the Wingwall Elevation shown below.

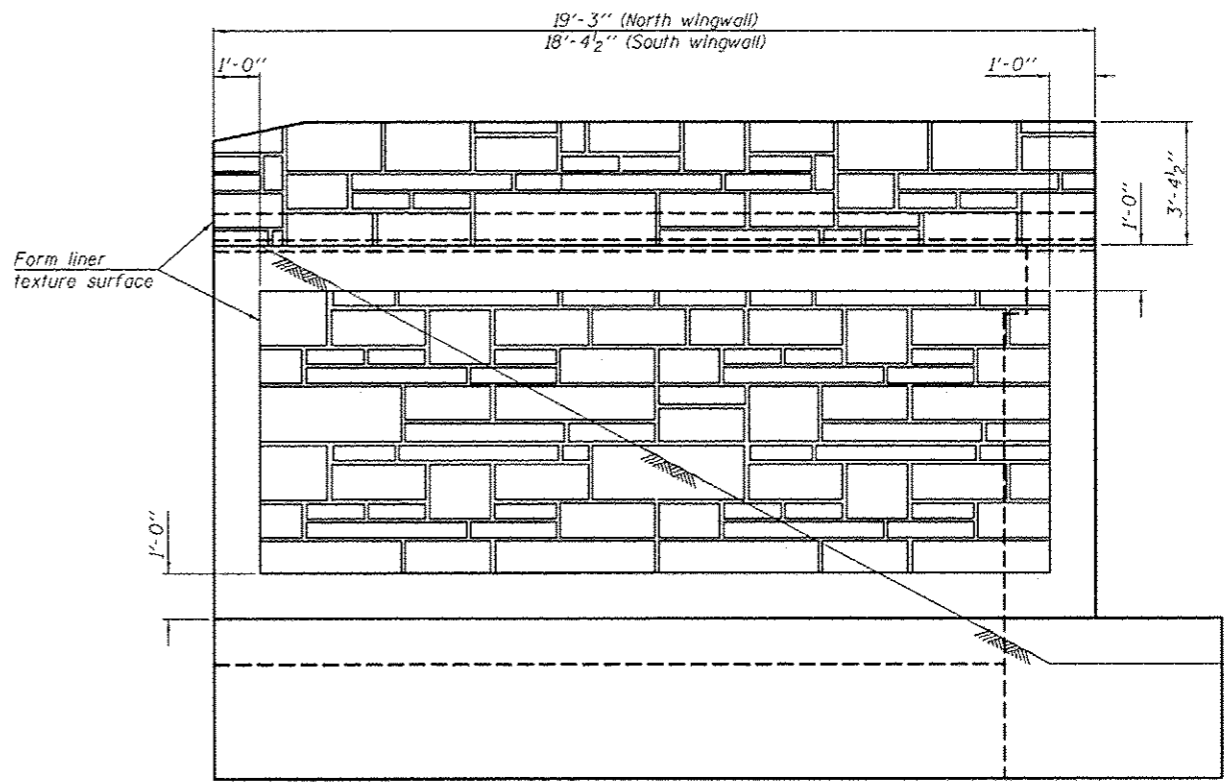
For bar splicer details, see sheet 49 of 55.



SECTION THRU WEST ABUTMENT



ELEVATION
(Looking West)



WINGWALL ELEVATION
(South wingwall shown, North wingwall similar).

MIN. BAR LAP
#7 bar = 5'-2"

DESIGNED - NICHOLAS R. BARNETT	EXAMINED - <i>James F. [Signature]</i>	DATE - OCTOBER 4, 2013
CHECKED - AL-BARRAE R. SHEBIB	ACTING ENGINEER OF BRIDGE DESIGN	
DRAWN - H.T. DUONG / M.B.M.	PASSED - <i>[Signature]</i>	REVISED
CHECKED - NRB/GRA	ACTING ENGINEER OF BRIDGES AND STRUCTURES	REVISED

STATE OF ILLINOIS
DEPARTMENT OF TRANSPORTATION

WEST ABUTMENT (E.B.) - STAGE I CONSTRUCTION
STRUCTURE NO. 101-0195 (E.B.) & 101-0196 (W.B.)

F.A.P. RTE. 301	SECTION 3BR & 3BR-1	COUNTY WINNEBAGO	TOTAL SHEETS 290	SHEET NO. 131
SHEET NO. 32 OF 55 SHEETS			CONTRACT NO. 64D19	
ILLINOIS FED. AID PROJECT				