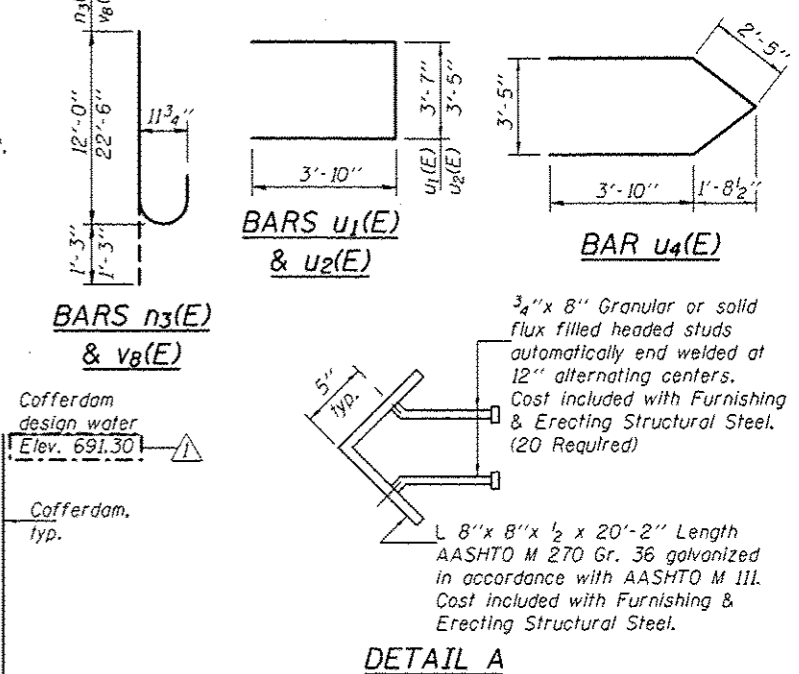
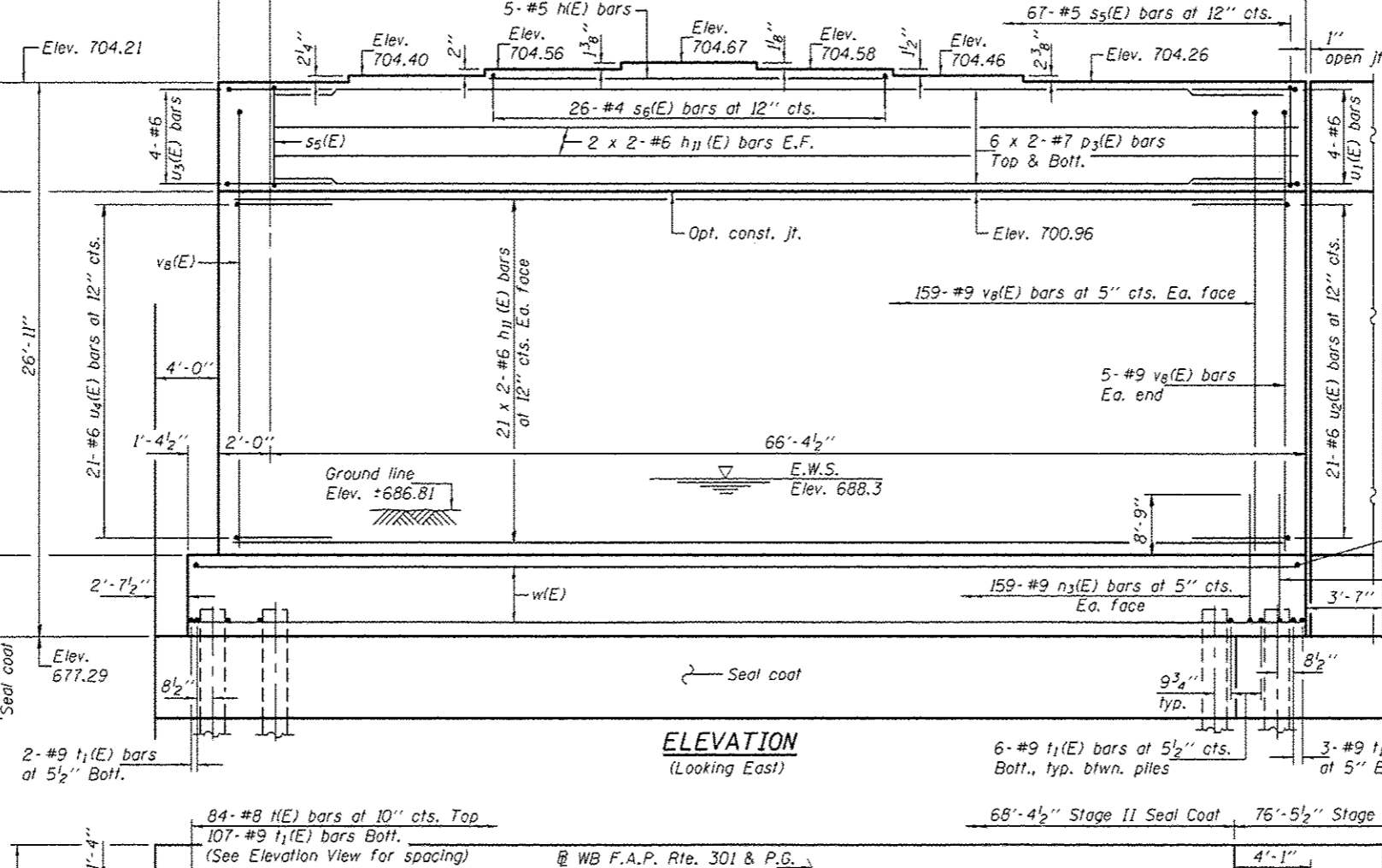
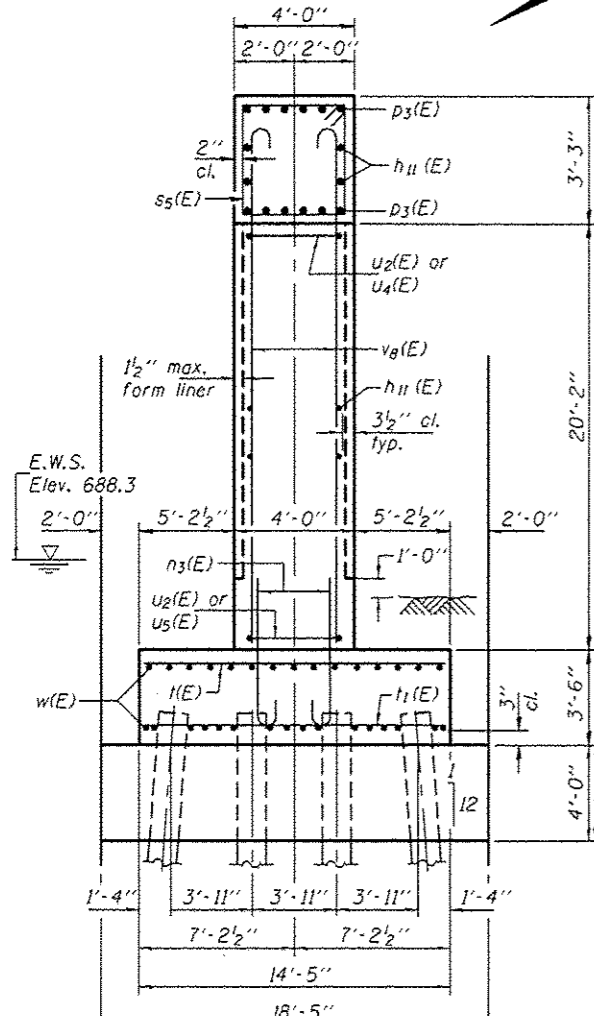
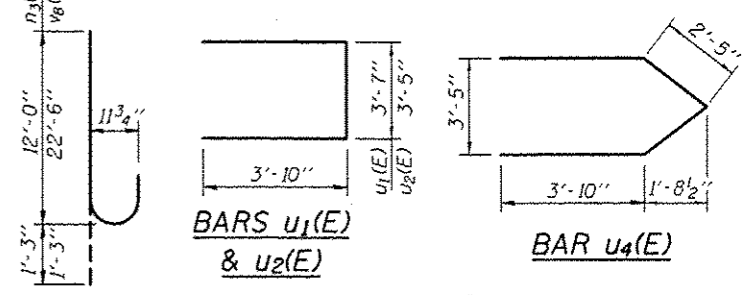
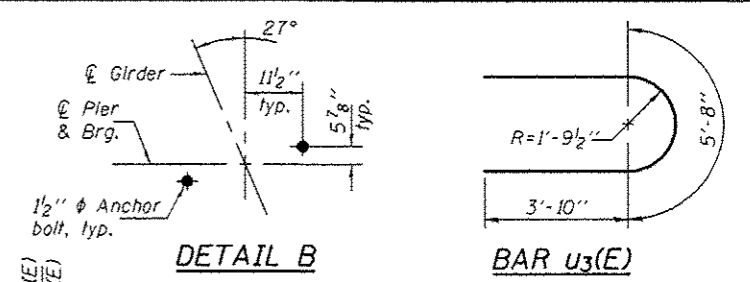
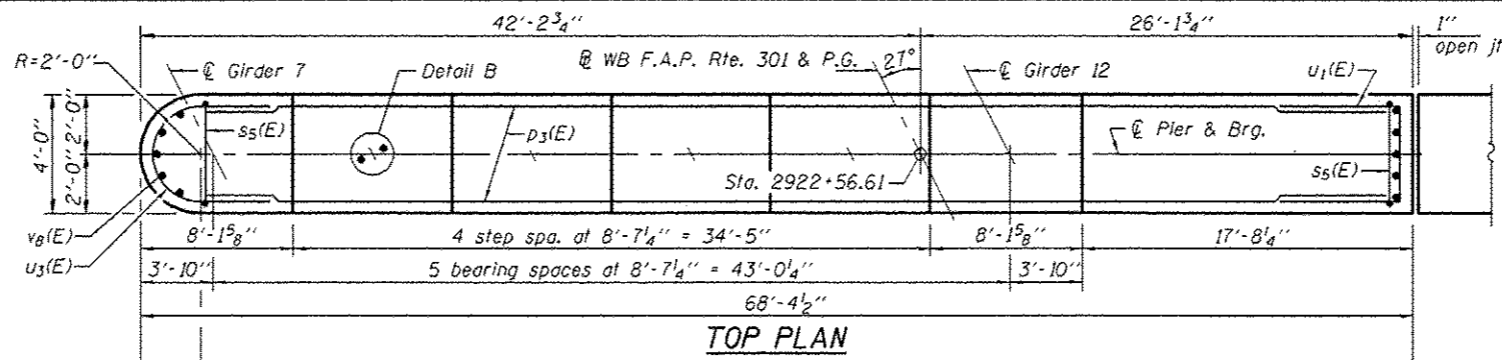
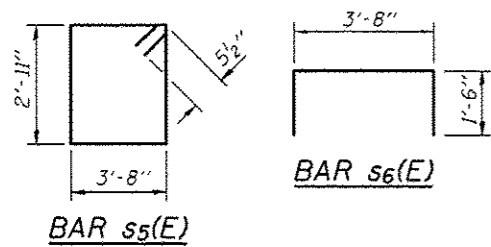


Notes:
 Space reinforcement in cap to miss anchor bolts.
 Pour steps monolithically with cap.
 For details of piles, see sheet 48 of 55.



3/4" x 8" Granular or solid flux filled headed studs automatically headed welded at 12" alternating centers. Cost included with Furnishing & Erecting Structural Steel. (20 Required)

L 8" x 8" x 1/2" x 20'-2" Length AASHTO M 270 Gr. 36 galvanized in accordance with AASHTO M 111. Cost included with Furnishing & Erecting Structural Steel.

BILL OF MATERIAL

Bar	No.	Size	Length	Shape
h11(E)	5	#5	25'-6"	—
h11(E)	92	#6	35'-1"	—
n3(E)	328	#9	13'-3"	—
p3(E)	24	#7	35'-9"	—
s5(E)	67	#5	14'-1"	□
s6(E)	26	#4	6'-8"	□
11(E)	84	#8	14'-1"	—
t1(E)	107	#9	14'-1"	—
u1(E)	4	#6	11'-3"	U
u2(E)	21	#6	11'-1"	U
u3(E)	4	#6	13'-4"	U
u4(E)	21	#6	12'-6"	U
v8(E)	328	#9	23'-9"	—
w(E)	62	#6	36'-8"	—
Cofferdam Excavation		Cu. Yd.	631	
Concrete Structures		Cu. Yd.	366.5	
Reinforcement Bars, Epoxy Coated		Pound	61690	
Furnishing Metal Shell Piles 14"x .312"		Foot	2343	
Driving Piles		Foot	2343	
Test Pile, Metal Shells		Each	1	
Pile Shoes		Each	72	
Cofferdam (Type 2), Location 1		Each	0.5	
Anchor Bolts 1 1/2"		Each	12	
Seal Coat Concrete		Cu. Yd.	186.6	

MIN. BAR LAP
 #6 bar = 3'-10"
 #7 bar = 5'-2"

PILE DATA
 Type: Metal Shell Piles 14"x .312" with Pile Shoes
 Nominal Required Bearing: 320 Kips
 Factored Resistance Available: 154 Kips
 Est. Length: 33'
 No. Production Piles: 71
 No. Test Piles: 1

