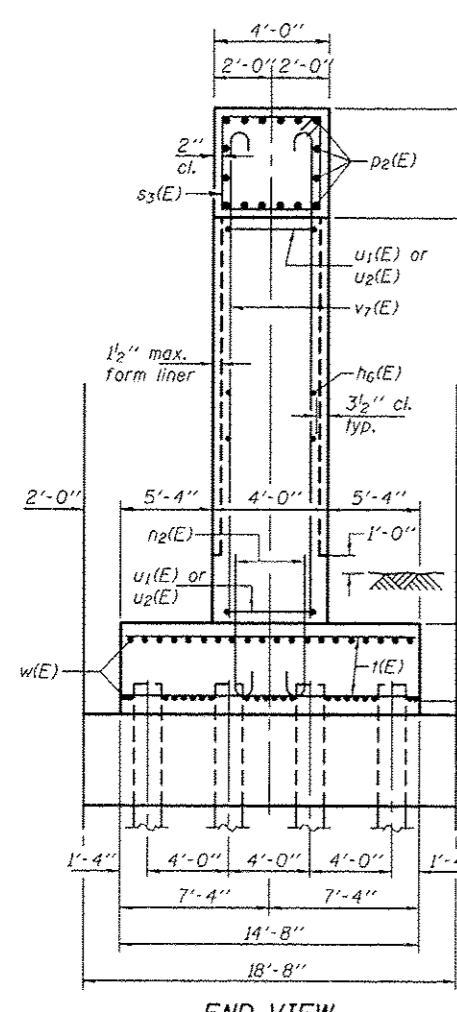
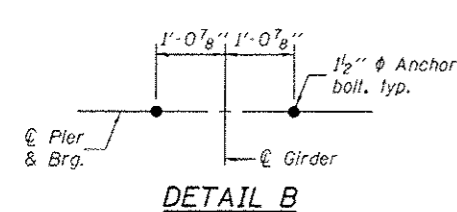


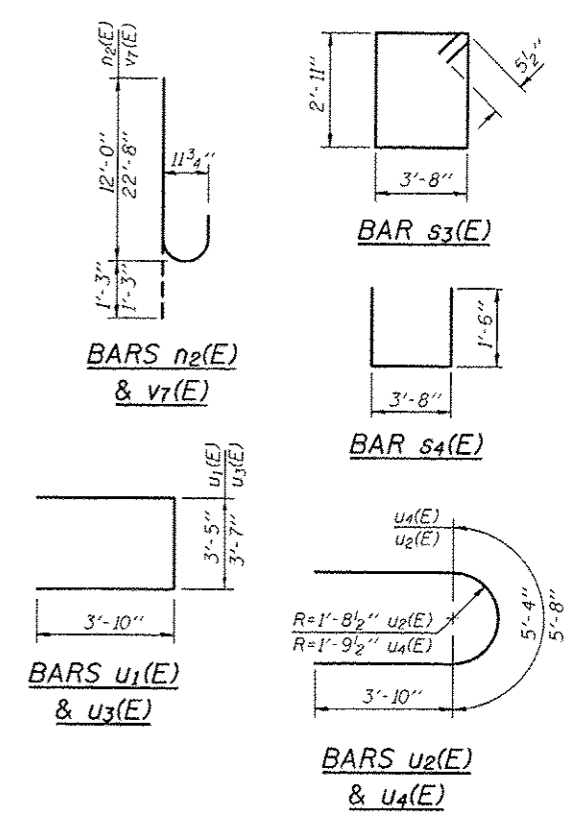
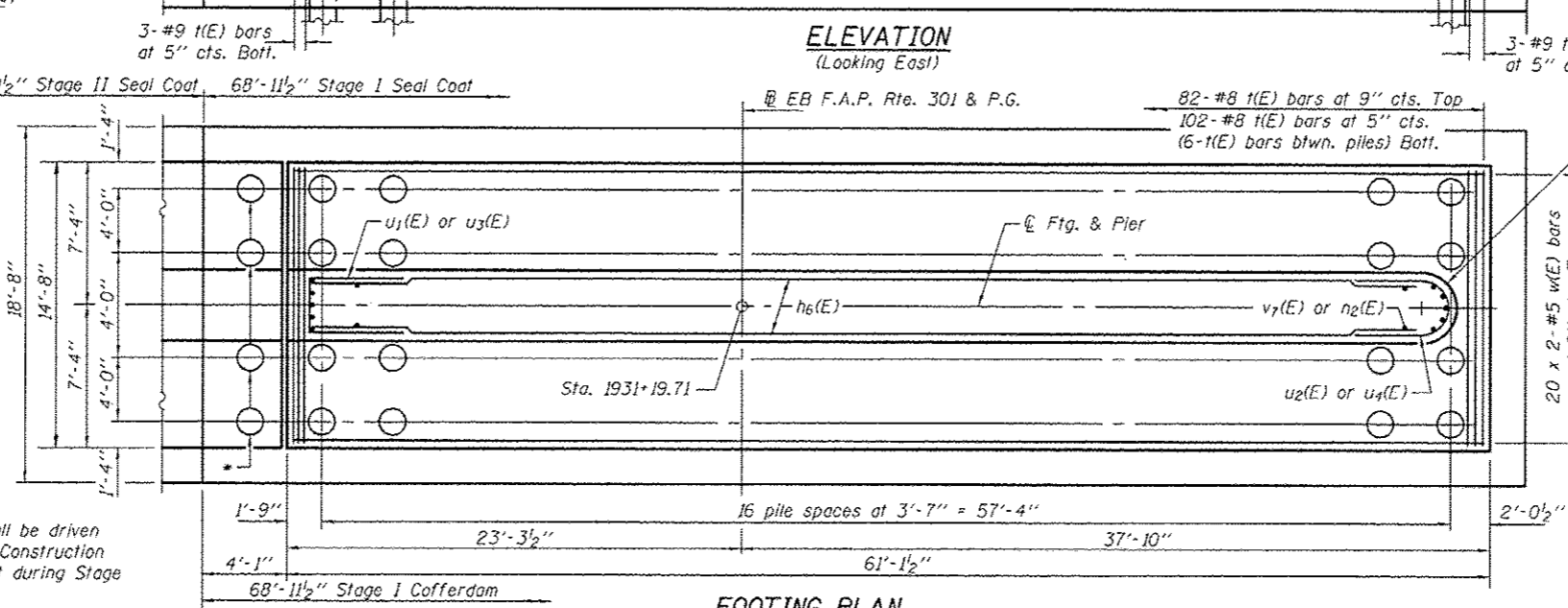
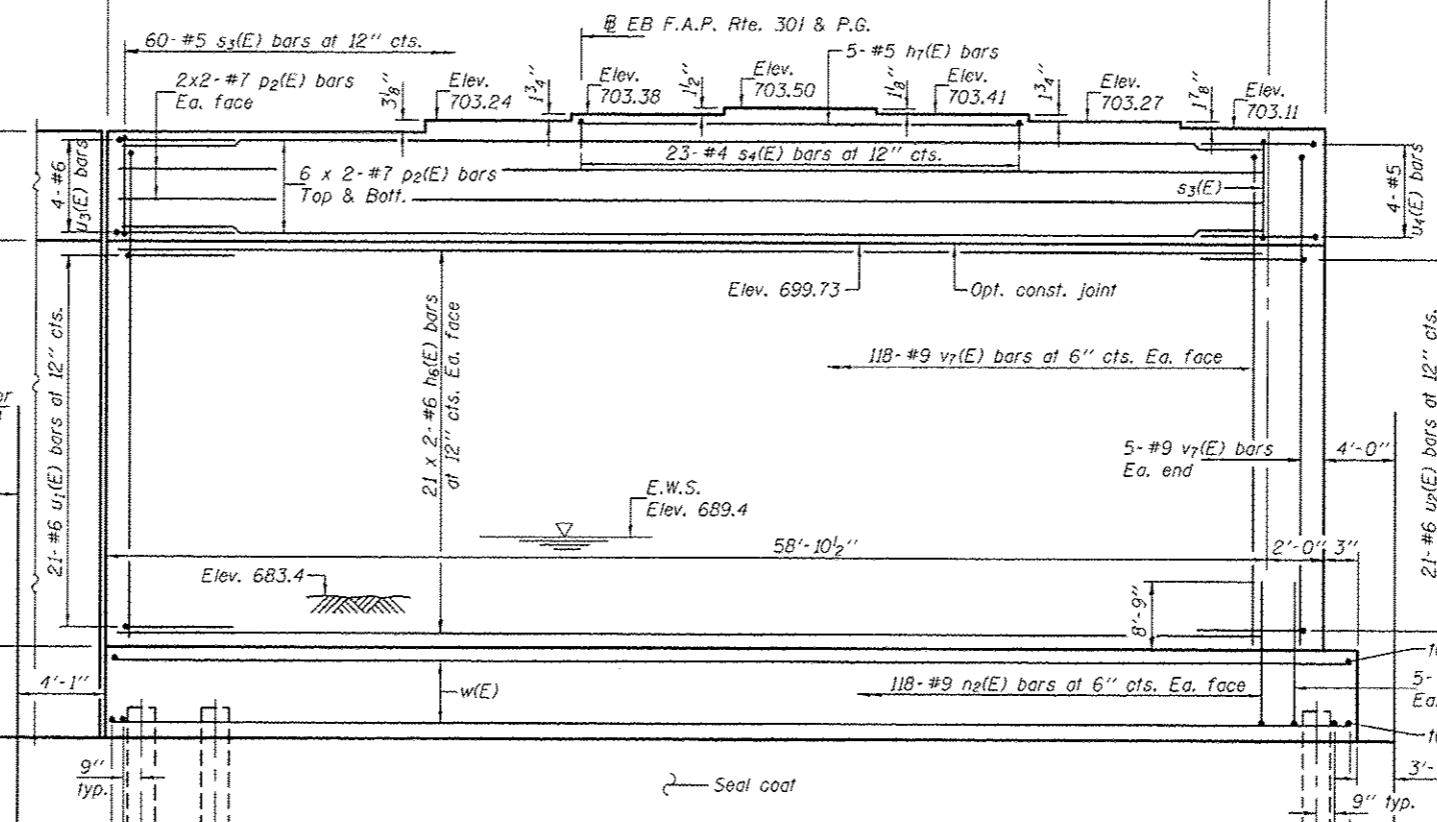
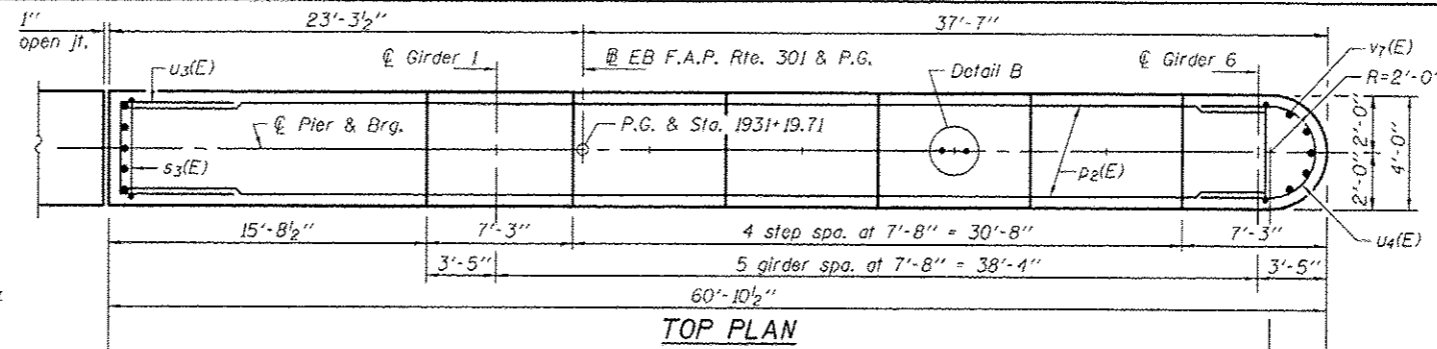
Notes:
 Space reinforcement in cap to miss anchor bolts.
 Pour steps monolithically with cap.
 For details of piles, see sheet 45 of 50.



PILE DATA
 Type: Metal Shells 14"x .312" with Pile Shoes
 Nominal Required Bearing: 330 Kips
 Factored Resistance Available: 166 Kips
 Est. Length: 44'
 No. Production Piles: 67
 No. Test Piles: 1

MIN. BAR LAP
 #5 bar = 3'-3"
 #6 bar = 3'-10"
 #7 bar = 5'-2"

*These piles shall be driven during Stage I Construction to avoid conflict during Stage II Construction.



BILL OF MATERIAL

Bar	No.	Size	Length	Shape
h6(E)	84	#6	31'-4"	—
h7(E)	5	#5	22'-8"	—
n2(E)	246	#9	13'-3"	⌋
p2(E)	32	#7	31'-11"	—
s3(E)	60	#5	14'-1"	□
s4(E)	23	#4	6'-8"	□
u1(E)	21	#6	11'-1"	⌋
u2(E)	21	#6	13'-0"	⌋
u3(E)	4	#6	11'-3"	⌋
u4(E)	4	#6	13'-4"	⌋
v7(E)	246	#9	23'-11"	⌋
w(E)	84	#5	32'-1"	—
Cofferdam Excavation		Cu. Yd.	525	
Concrete Structures		Cu. Yd.	329.8	
Reinforcement Bars, Epoxy Coated		Pound	48990	
Furnishing Metal Shell Piles 14"x .312"		Foot	2948	
Driving Piles		Foot	2948	
Test Pile, Metal Shells		Each	1	
Pile Shoes		Each	68	
Cofferdam (Type 2), Location 2		Each	0.5	
Anchor Bolts 1 1/2"		Each	12	
Seal Coat Concrete		Cu. Yd.	166.9	