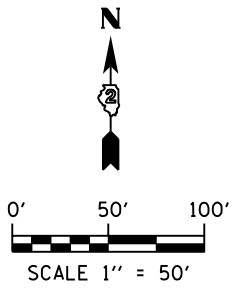
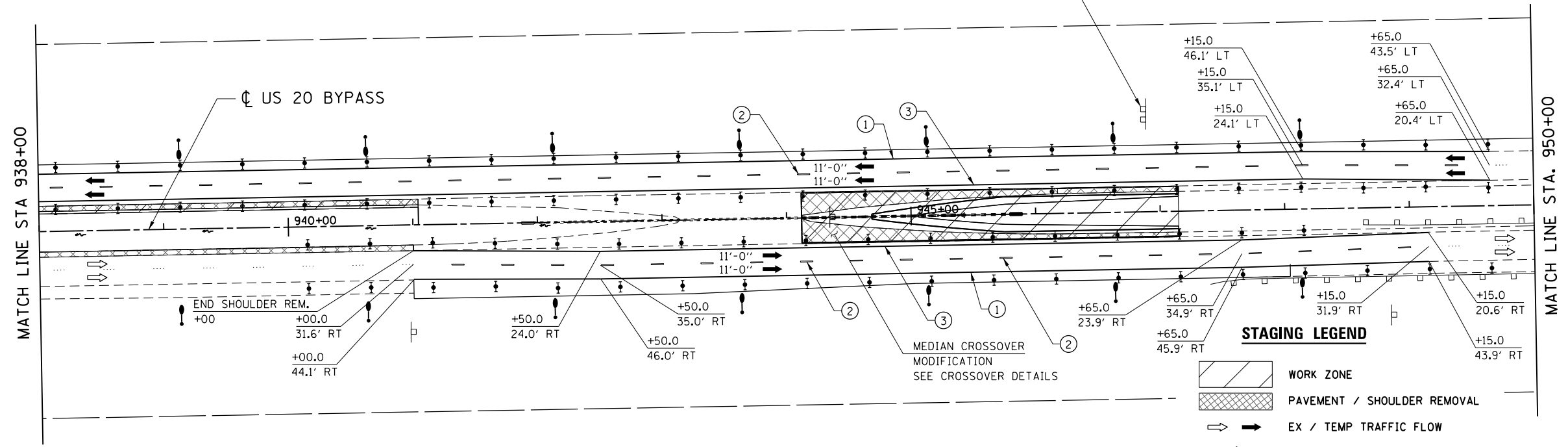


NOTE

- SEE 701101, 701400, 701401, 701411, & 704001 FOR ADDITIONAL INFORMATION



2 NORTH
Main St
1 Mile



STAGING LEGEND

- WORK ZONE
- PAVEMENT / SHOULDER REMOVAL
- EX / TEMP TRAFFIC FLOW
- SIGN
- DIRECTIONAL INDICATOR BARRICADE W/ STEADY BURN MONODIRECTIONAL LIGHT
- TYPE II BARRICADE, DRUM W/ STEADY BURN MONODIRECTIONAL LIGHT
- TYPE III BARRICADE
- TEMPORARY CONCRETE BARRIER WALL
- ① SOLID WHITE, 4"
- ② SKIP DASH WHITE, 4"
- ③ SOLID YELLOW, 4"
- ④ LETTERS AND SYMBOLS
- ⑤ SOLID WHITE, 24"
- ⑥ SOLID WHITE, 8"
- ⑦ DOTTED WHITE, 8"
- ⑧ SOLID WHITE, 12"
- ⑨ SOLID YELLOW, 12"
- ⑩ LETTERS & SYMBOLS

FILE NAME = D264019-ahh-Staging-Pre1A.dwg
 MODEL = Default
 PLOT DRIVER = V8...IDOT...PDF...1x17...tcf9



USER NAME = rgoertz	DESIGNED - RG	REVISED -
DRAWN - TRF	CHECKED - CMS	REVISED -
PLOT SCALE = 100.0000' / in.	DATE - 07/01/2013	REVISED -
PLOT DATE = 8/16/2013		

**STATE OF ILLINOIS
DEPARTMENT OF TRANSPORTATION**

STAGING PLAN			
PRESTAGE 1A - US 20 BYPASS			
SCALE: 1" = 50'	SHEET NO. OF SHEETS	STA. 938+00 TO STA. 950+00	

F.A.P. RTE. 301	SECTION 3BR & 3BR-1	COUNTY WINNEBAGO	TOTAL SHEETS 290	SHEET NO. 50
CONTRACT NO. 64D19				
FED. ROAD DIST. NO. ILLINOIS FED. AID PROJECT				