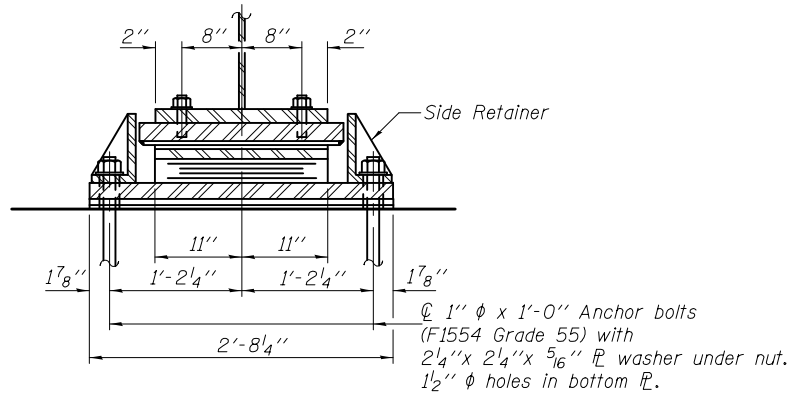
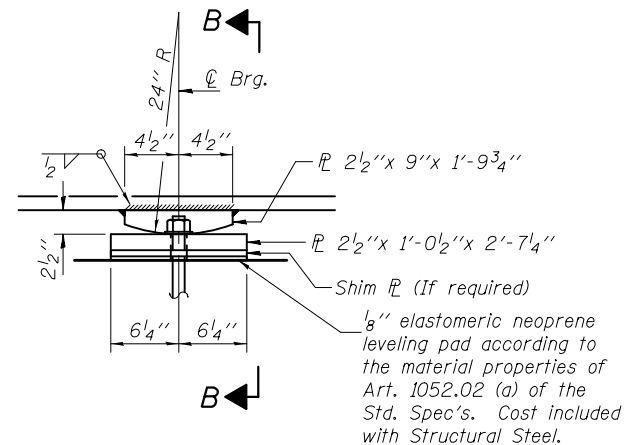


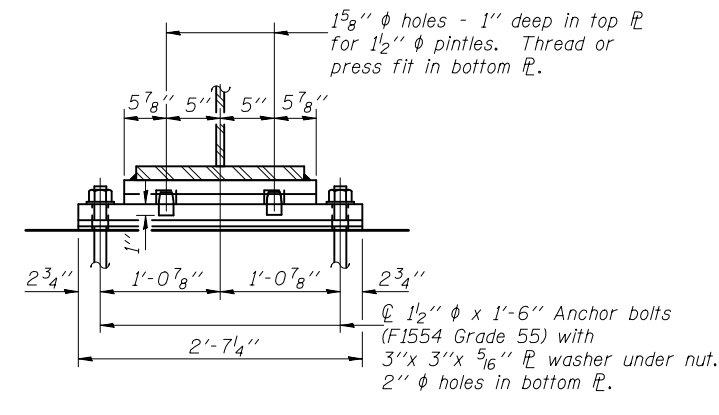
ELEVATION AT ABUT.



SECTION A-A



ELEVATION AT PIER

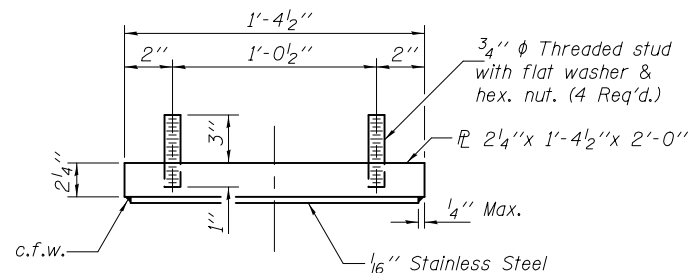


SECTION B-B

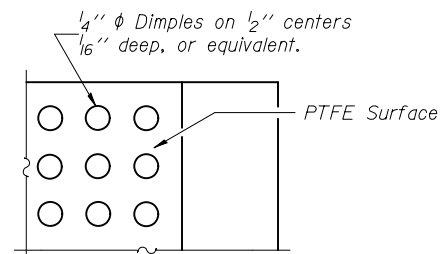
**TYPE II ELASTOMERIC EXP. BRG.**

**FIXED BEARING**

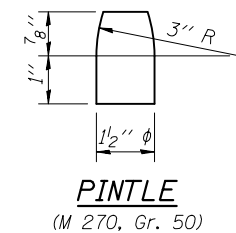
(12 Required)



TOP BEARING ASSEMBLY



PLAN-PTFE SURFACE



PINTLE  
(M 270, Gr. 50)

Notes:  
Anchor bolts shall be ASTM F1554 all-thread (or an Engineer-approved alternate material) of the grade(s) and diameter(s) specified. The corresponding specified grade of AASHTO M314 anchor bolts may be used in lieu of ASTM F1554.

Anchor bolts at fixed bearings may be either cast in place or installed in holes drilled after the supported member is in place.

Anchor bolts for Type II bearings shall be placed in holes drilled in the concrete through holes in the bottom bearing plate after members are in place. Side retainers shall be placed after bolts are installed.

Drilled and set anchor bolts shall be installed according to Article 521.06 of the Standard Specifications.

Side retainers and other steel members required for the elastomeric bearing assembly shall be included in the cost of Elastomeric Bearing Assembly, Type II.

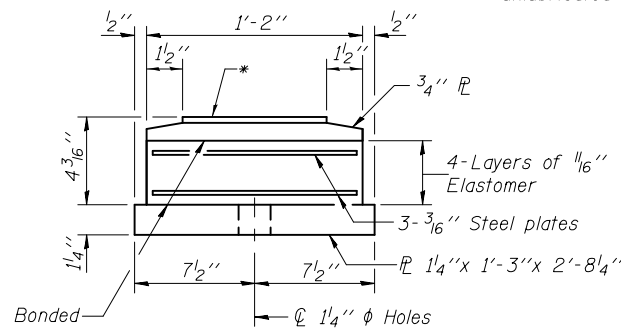
The 1/8 inch PTFE sheet shall be bonded directly to the top steel plate with a two-component, medium viscosity epoxy resin, conforming to the requirements of the Federal Specification MMM-A-134, Type I. The bond agent shall be applied on the full area of the contact surfaces.

Bonding of 1/8 inch PTFE sheet during vulcanizing process will be permitted provided the process and method of adjusting assembly height is approved by the Engineer.

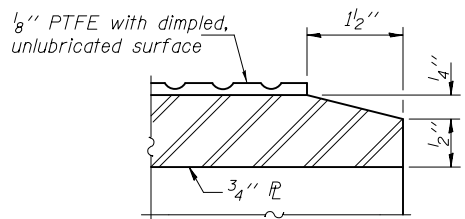
The structural steel plates of the bearing assembly shall conform to the requirements of AASHTO M270 Grade 50.

Two 1/8 inch adjusting shims shall be provided for each bearing in addition to all other plates or shims and placed as shown on bearing details.

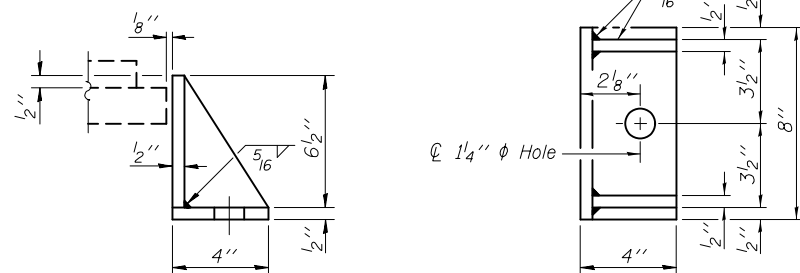
\*1/8 inch PTFE dimpled, unlubricated



BOTTOM BEARING ASSEMBLY

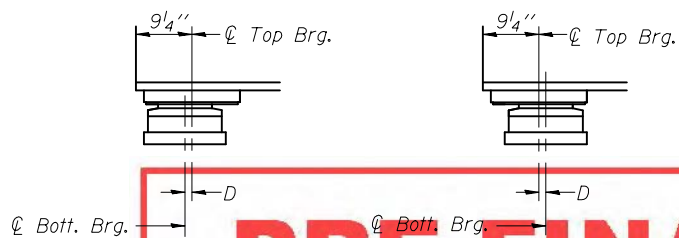


SECTION THRU PTFE



SIDE RETAINER

Equivalent rolled angle with stiffeners will be allowed in lieu of welded plates.



SETTING ANCHOR BOLTS AT EXP. BRG.

BELOW 50°F. ABOVE 50°F.  
(Move bott. brg. away from fixed brg.) (Move bott. brg. toward fixed brg.)

**BILL OF MATERIAL**

Item	Unit	Total
Elastomeric Bearing Assembly, Type II	Each	24
Anchor Bolts 1"	Each	48
Anchor Bolts 1 1/2"	Each	24

DESIGNED - Nick R. Barnett  
CHECKED - Al-Barræ R. Shebib  
DRAWN - h.t. duong  
CHECKED - NRB/GRA

EXAMINED - *Joanne F. Duff*  
PASSED - *Carl Brigg*  
ACTING ENGINEER OF BRIDGE DESIGN  
ACTING ENGINEER OF BRIDGES AND STRUCTURES

DATE -  
REVISED  
REVISED

STATE OF ILLINOIS  
DEPARTMENT OF TRANSPORTATION

BEARING DETAILS  
STRUCTURE NO. 101-0195 (E.B.) & 101-0196 (W.B.)

SHEET NO. 30 OF 55 SHEETS

F.A.P. R.T.E. 301  
SECTION 3BR & 3BR-1  
COUNTY WINNEBAGO  
TOTAL SHEETS SHEET NO. 55 30  
CONTRACT NO. 64D19  
ILLINOIS FED. AID PROJECT