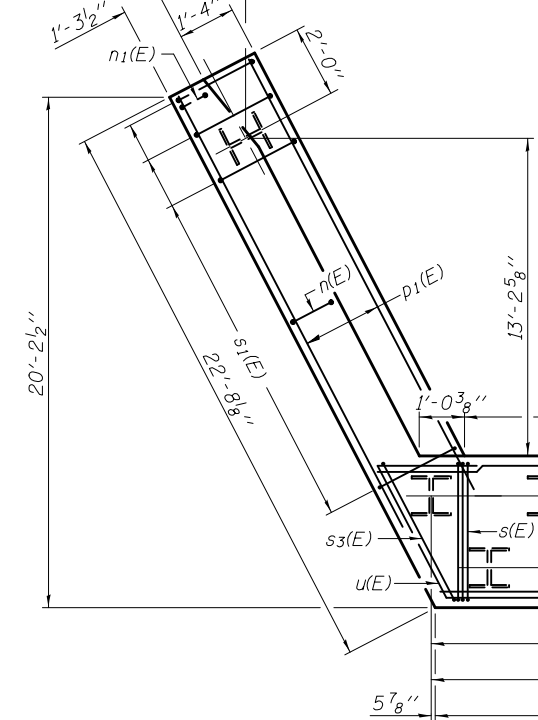


TOP VIEW

BAR h1(E)

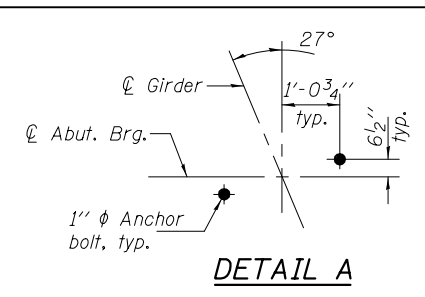
BAR h2(E)



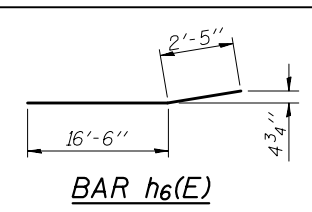
PLAN-PILE CAP

PILE DATA

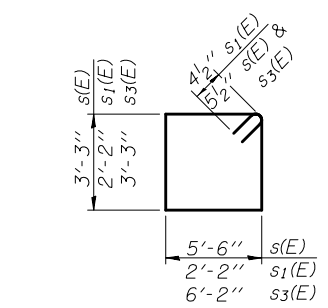
Type: Steel HP14x117 with Pile Shoes
 Nominal Required Bearing: 398 Kips
 Factored Resistance Available: 219 Kips
 Est. Length: 60'
 No. Production Piles: 30
 No. Test Piles: 1



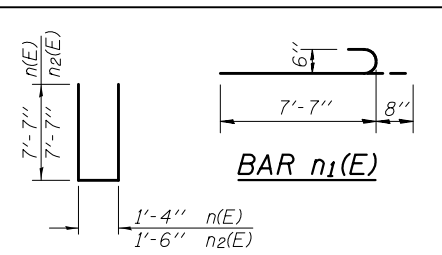
DETAIL A



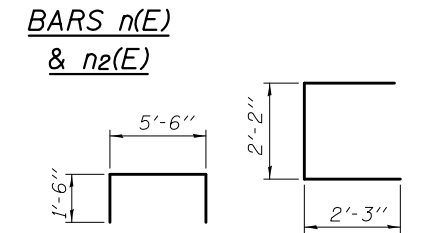
BAR h6(E)



BARS s1(E) & s3(E)



BAR n1(E)



BARS n2(E) & s2(E)

BAR s4(E)

**WEST ABUTMENT (E.B.)
BILL OF MATERIAL**

| Bar | No. | Size | Length | Shape |
|-------|-----|------|---------|-------|
| h1(E) | 18 | #5 | 5'-11" | L |
| h2(E) | 18 | #5 | 5'-11" | L |
| h3(E) | 14 | #5 | 46'-10" | — |
| h4(E) | 5 | #6 | 46'-10" | — |
| h6(E) | 11 | #4 | 18'-11" | — |
| h7(E) | 28 | #4 | 18'-11" | — |
| h8(E) | 5 | #4 | 34'-1" | — |
| h9(E) | 17 | #4 | 18'-0" | — |
| n(E) | 35 | #6 | 16'-6" | U |
| n1(E) | 6 | #6 | 8'-3" | U |
| n2(E) | 1 | #6 | 16'-8" | U |
| p(E) | 24 | #7 | 36'-7" | — |
| p1(E) | 6 | #7 | 20'-8" | — |
| p2(E) | 6 | #7 | 20'-0" | — |
| s(E) | 84 | #5 | 18'-5" | □ |
| s1(E) | 35 | #4 | 9'-5" | □ |
| s2(E) | 35 | #4 | 8'-6" | □ |
| s3(E) | 2 | #5 | 19'-9" | □ |
| s4(E) | 4 | #4 | 6'-8" | □ |
| u(E) | 8 | #6 | 13'-9" | L |
| v(E) | 48 | #5 | 3'-10" | L |
| v1(E) | 48 | #4 | 3'-2" | L |
| v2(E) | 48 | #5 | 8'-10" | — |
| v3(E) | 48 | #5 | 10'-2" | — |
| v4(E) | 3 | #6 | 10'-10" | — |
| v5(E) | 37 | #6 | 11'-5" | — |
| v6(E) | 39 | #6 | 11'-4" | — |

| Item | Unit | Quantity |
|----------------------------------|---------|----------|
| Structure Excavation | Cu. Yd. | 145.5 |
| Concrete Structures | Cu. Yd. | 114.1 |
| Reinforcement Bars, Epoxy Coated | Pound | 10180 |
| Furnishing Steel Piles, HP14x117 | Foot | 1800 |
| Driving Piles | Foot | 1800 |
| Test Pile Steel, HP14x117 | Each | 1 |
| Pile Shoes | Each | 31 |
| Concrete Encasement | Cu. Yd. | 16.9 |
| Concrete Sealer | Sq. Ft. | 1015.5 |
| Anchor Bolts, 1" | Each | 12 |

*This pile shall be driven during Stage I Construction to avoid conflict during Stage II Construction. For location, see sheet 37 of 55. The Temp. Soil Retention System in the vicinity of this pile shall be modified to accommodate its driving.

For details of bar splicers, see sheet 49 of 55.
 For details of piles & concrete encasement, see sheet 47 of 55.